



US00D954478S

(12) **United States Design Patent**  
**Taylor et al.**

(10) **Patent No.:** **US D954,478 S**  
(45) **Date of Patent:** **\*\* Jun. 14, 2022**

- (54) **COSMETIC BEAUTY STATION**
- (71) Applicants: **Fierra Taylor**, Los Angeles, CA (US);  
**Oyvind Dahl**, Panama (PA)
- (72) Inventors: **Fierra Taylor**, Los Angeles, CA (US);  
**Oyvind Dahl**, Panama (PA)
- (\*\*) Term: **15 Years**
- (21) Appl. No.: **29/735,143**
- (22) Filed: **May 19, 2020**
- (51) **LOC (13) Cl.** ..... **06-06**
- (52) **U.S. Cl.**  
USPC ..... **D6/678; D28/9**
- (58) **Field of Classification Search**  
USPC ..... D6/338, 655.17, 656, 672, 675, 675.1,  
D6/678, 678.1; D28/9-10, 73  
CPC ..... A47B 21/007; A47B 37/00; A47B 47/047;  
A47B 67/02; A45D 33/20; A45D 44/04;  
A45D 44/06; A45D 44/14  
See application file for complete search history.

- D720,160 S \* 12/2014 Lloyd ..... D6/643
- D723,844 S \* 3/2015 Hawkins ..... D6/678
- D824,191 S \* 7/2018 Reece ..... D6/656.15
- D880,175 S \* 4/2020 Gyllang ..... D6/338

\* cited by examiner

*Primary Examiner* — Kelley A Donnelly  
(74) *Attorney, Agent, or Firm* — Law Office of Sam  
Sokhansanj PLLC

(57) **CLAIM**

The ornamental design for a cosmetic beauty station, as shown and described.

**DESCRIPTION**

FIG. 1 illustrates a perspective view of an exemplary embodiment of a cosmetic beauty station.

FIG. 2 illustrates a front view of the cosmetic beauty station of FIG. 1.

FIG. 3 illustrates a rear view of the cosmetic beauty station of FIG. 1.

FIG. 4 illustrates a left side view of the cosmetic beauty station of FIG. 1.

FIG. 5 illustrates a right side view of the cosmetic beauty station of FIG. 1.

FIG. 6 illustrates a top view of the cosmetic beauty station of FIG. 1; and,

FIG. 7 illustrates a bottom view of the cosmetic beauty station of FIG. 1.

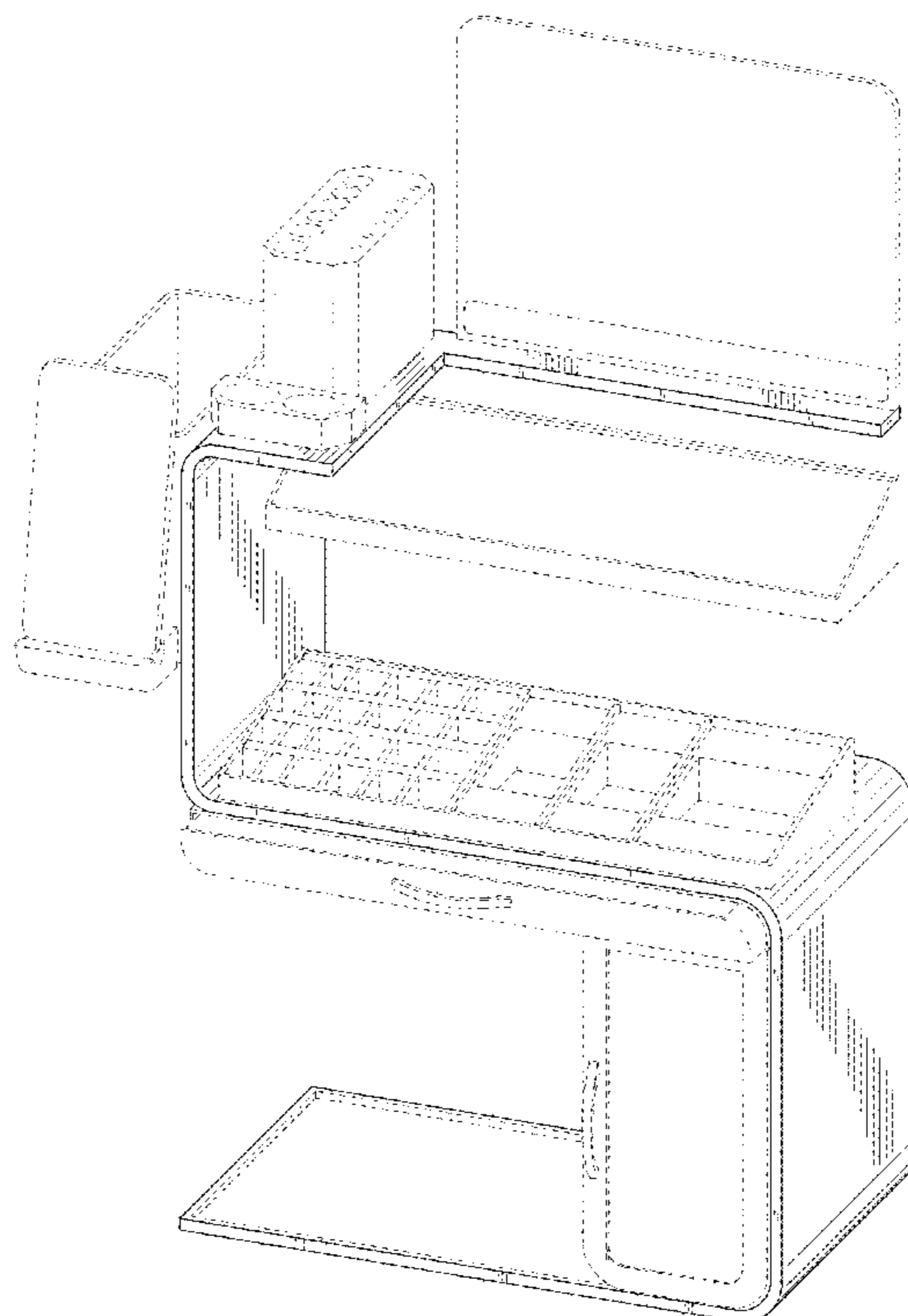
The broken lines show portions of the cosmetic beauty station which form no part of the claimed design.

**1 Claim, 6 Drawing Sheets**

(56) **References Cited**

U.S. PATENT DOCUMENTS

- D289,114 S \* 4/1987 Dickson ..... D6/653.1
- D297,190 S \* 8/1988 Arnott ..... D6/654.2
- D304,112 S \* 10/1989 Bettess ..... D34/21
- D332,957 S \* 2/1993 Kling ..... D15/151
- D348,339 S \* 6/1994 Ghini ..... D34/21
- D353,499 S \* 12/1994 Schwallenstecker ..... D6/678
- D425,727 S \* 5/2000 Ishikawa ..... D6/655.17
- D431,389 S \* 10/2000 Brandenburg ..... D6/655.17
- D605,353 S \* 12/2009 Lee ..... D6/677.1



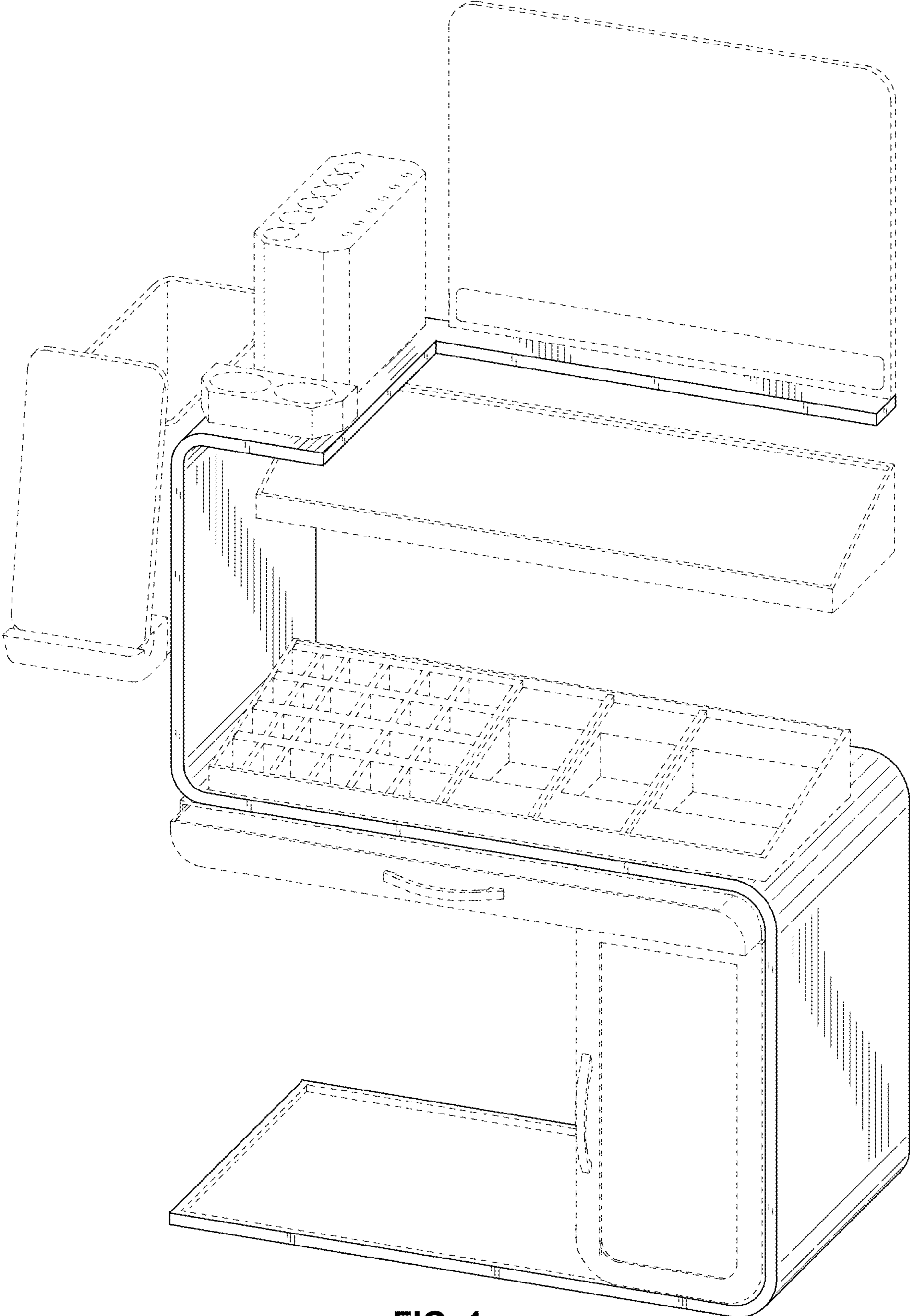


FIG. 1

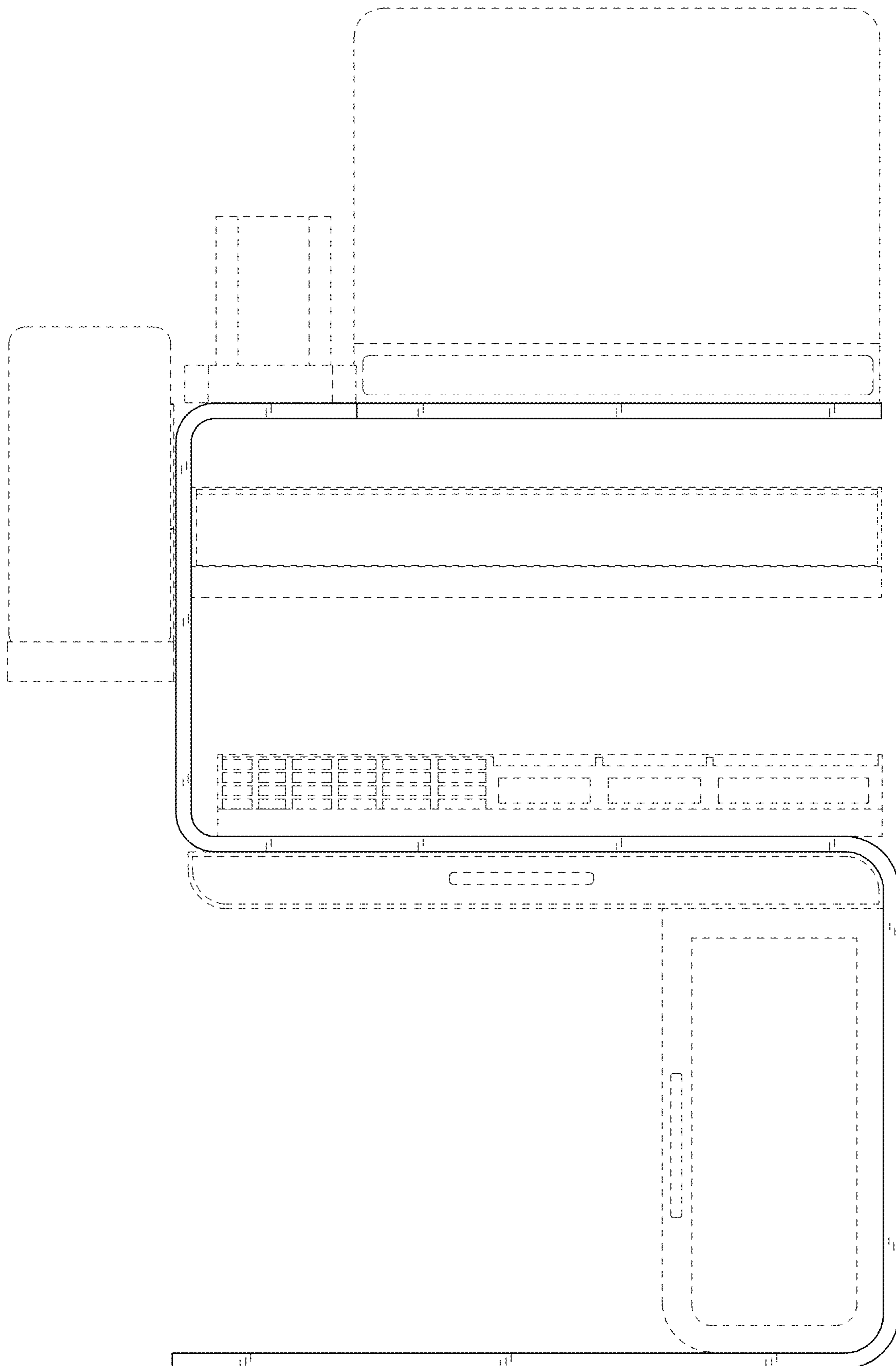


FIG. 2

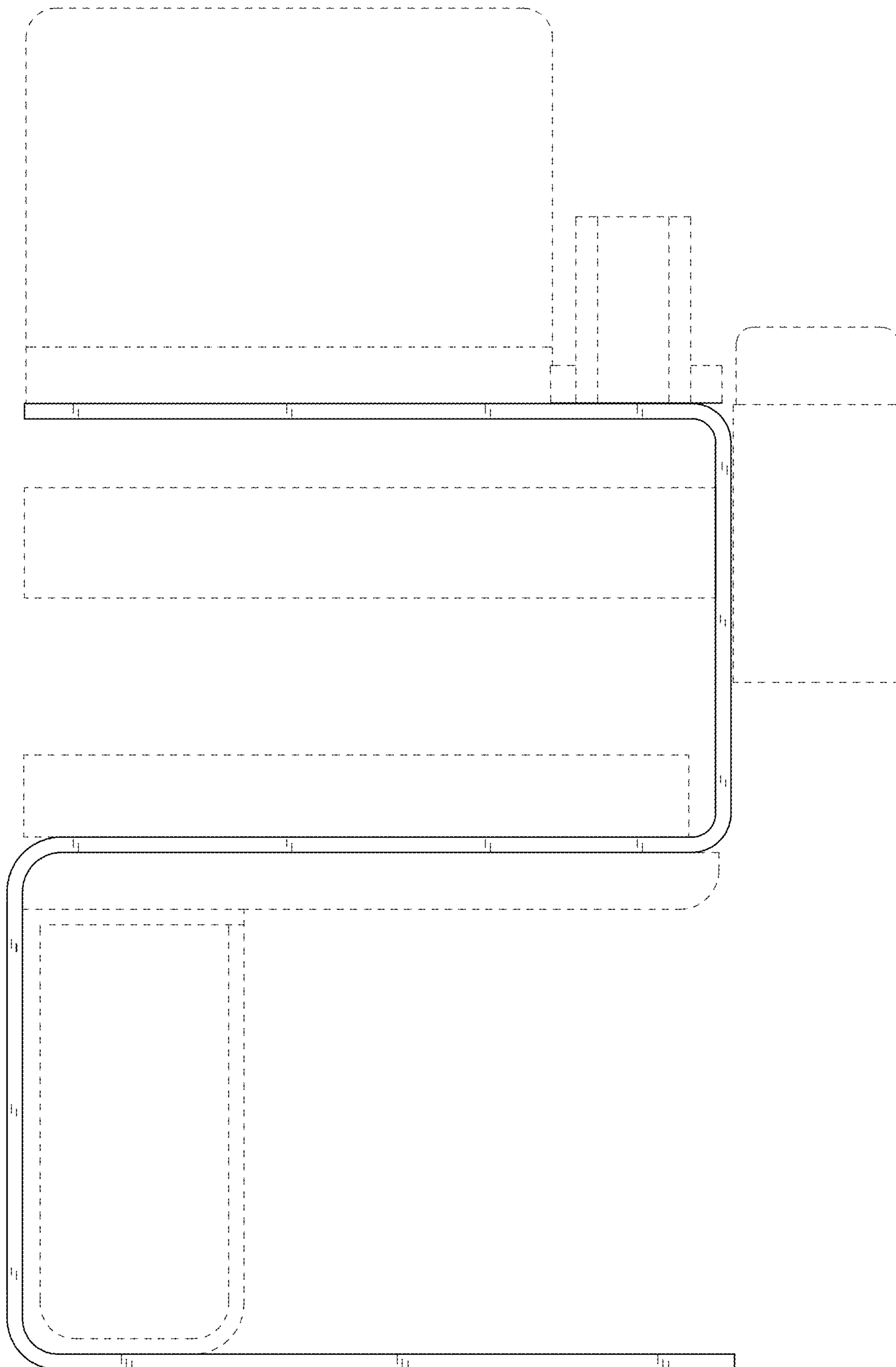


FIG. 3

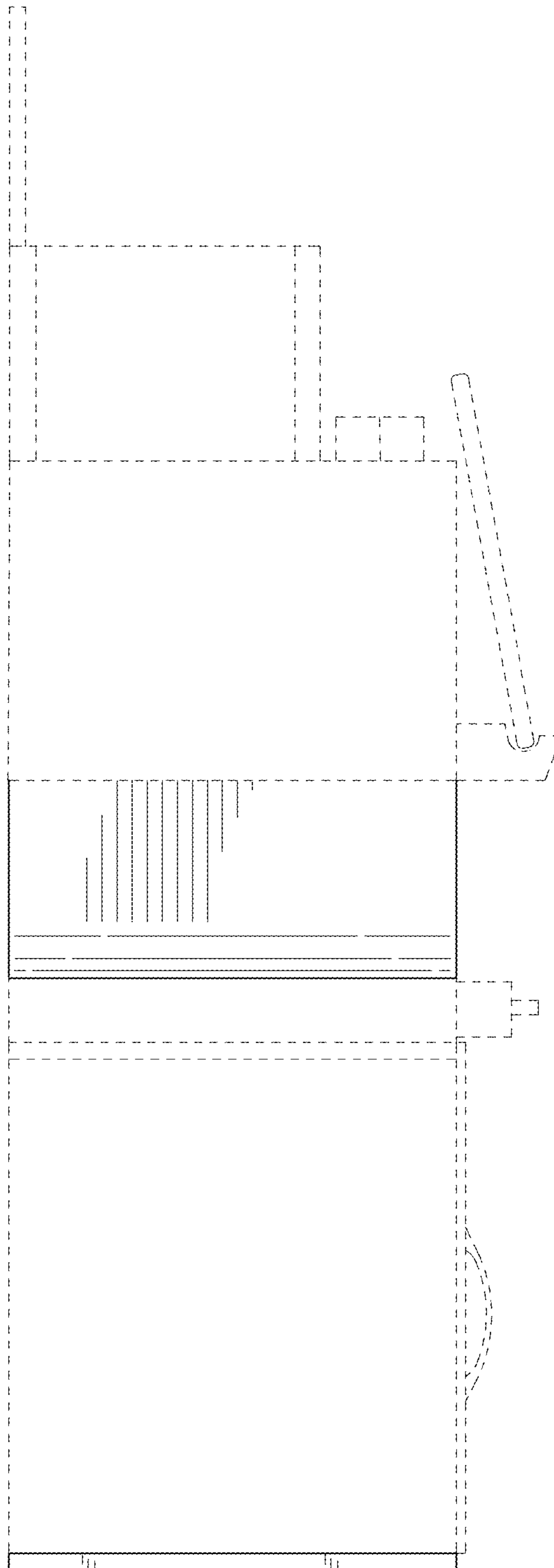


FIG. 4

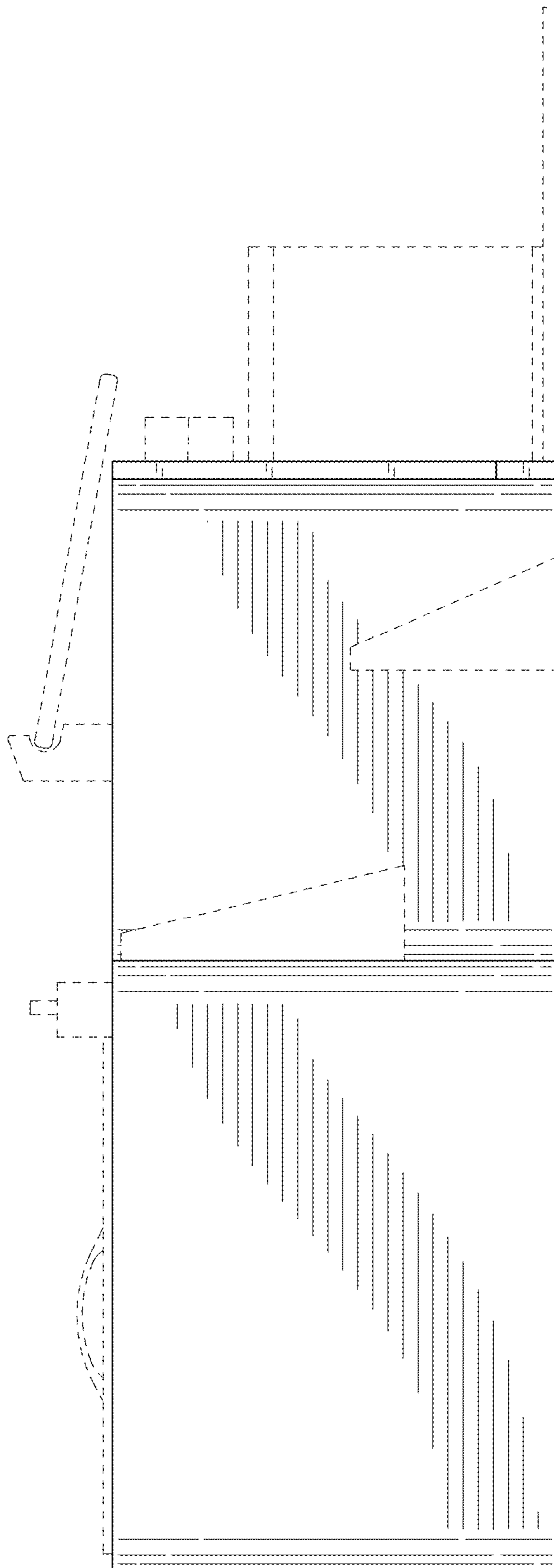


FIG. 5

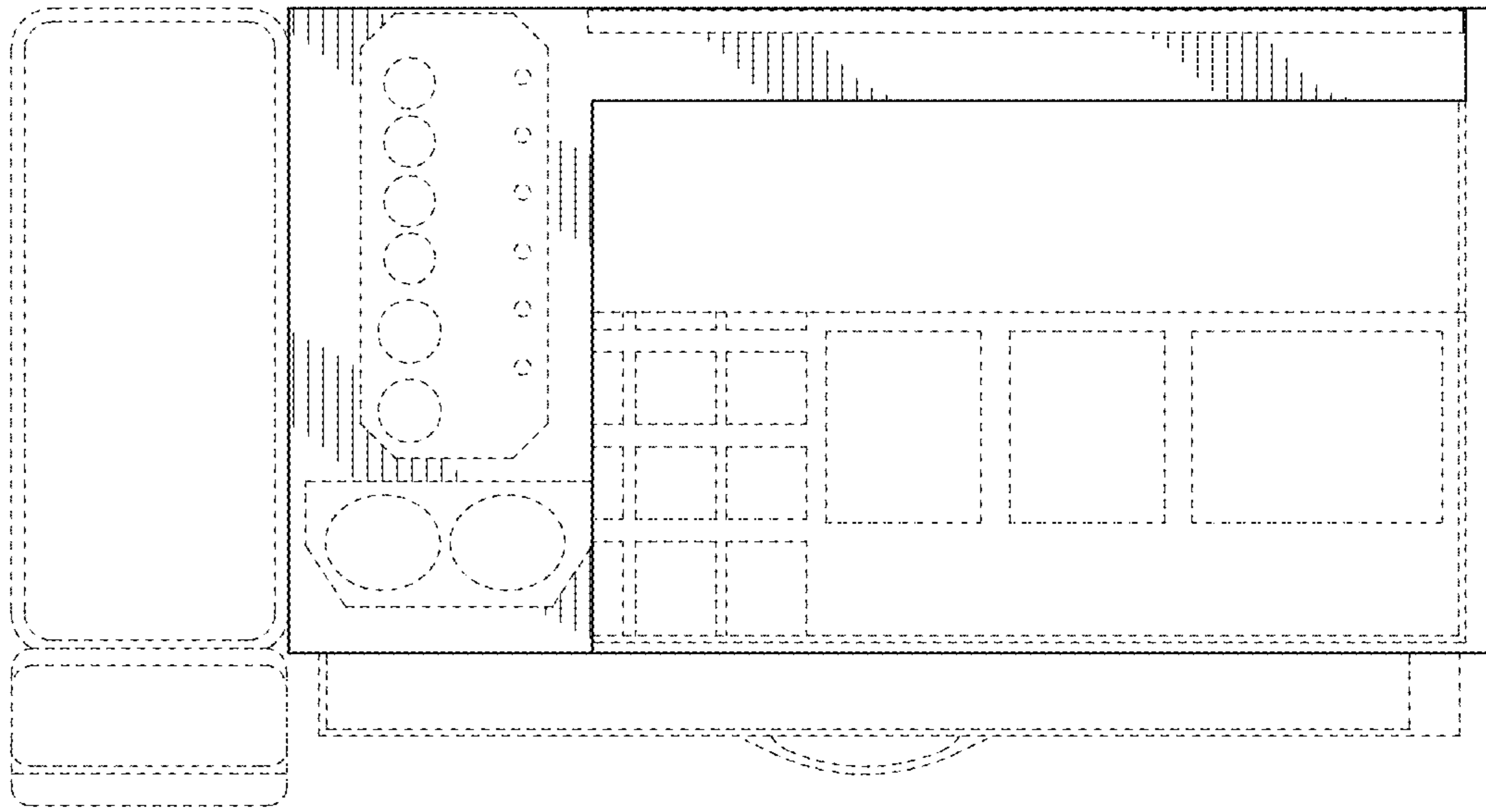


FIG. 6

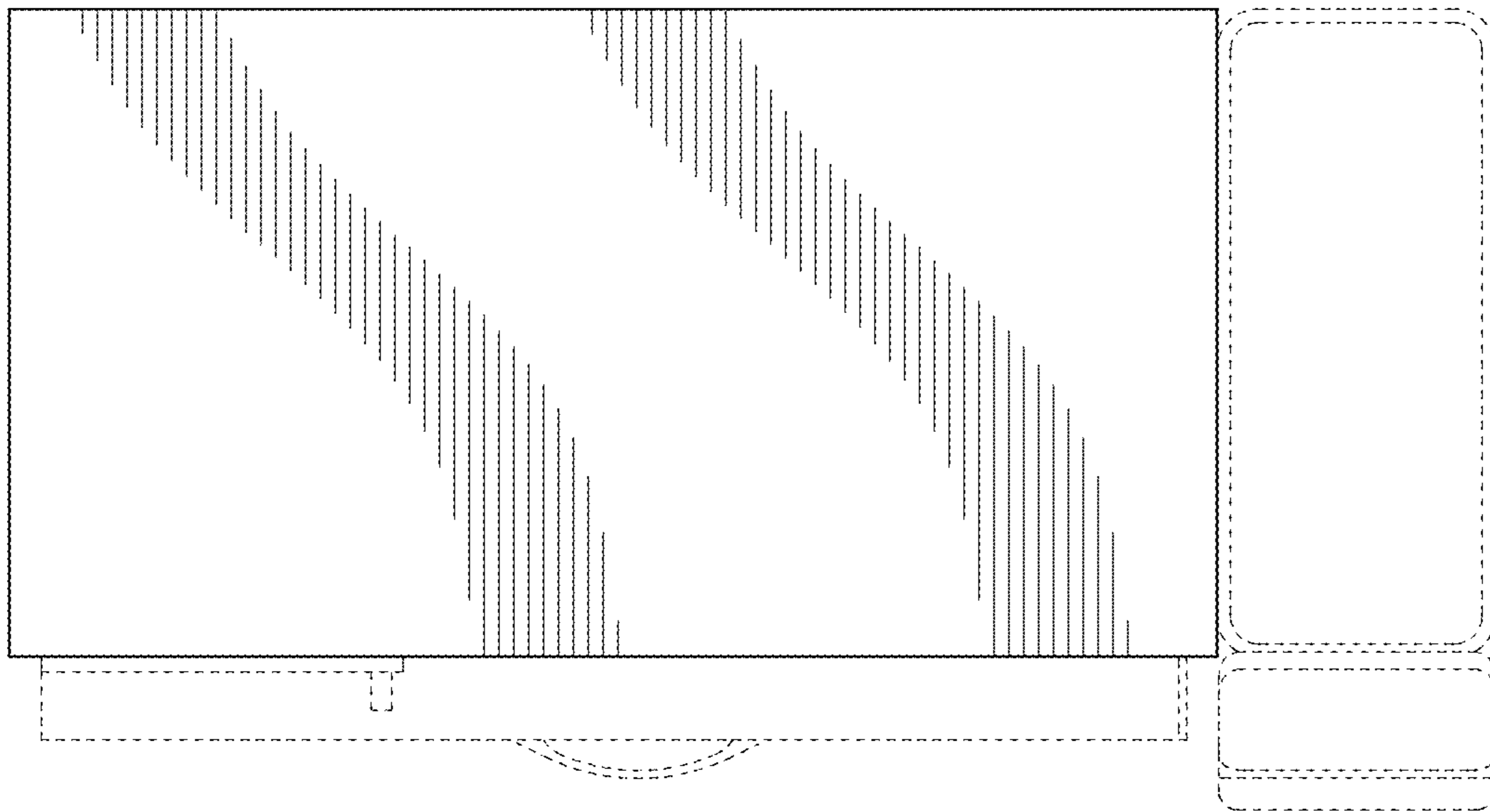


FIG. 7