



US00D954476S

(12) **United States Design Patent**
Kopp et al.

(10) **Patent No.:** **US D954,476 S**
(45) **Date of Patent:** **** Jun. 14, 2022**

- (54) **STORAGE CONTAINER**
- (71) Applicant: **Suncast Technologies, LLC**, Palm Beach Gardens, FL (US)
- (72) Inventors: **Robert G. Kopp**, Elburn, IL (US); **Torrence Anderson**, Overland Park, KS (US); **Stephen Whitehead**, Elgin, IL (US)
- (73) Assignee: **Suncast Technologies, LLC**, Palm Beach Gardens, FL (US)
- (**) Term: **15 Years**
- (21) Appl. No.: **29/721,512**
- (22) Filed: **Jan. 21, 2020**
- (51) **LOC (13) Cl.** **06-04**
- (52) **U.S. Cl.**
USPC **D6/667**
- (58) **Field of Classification Search**
USPC D3/294, 281, 282, 321, 272; D6/703.3, D6/667, 703, 663; D25/160
CPC A47B 47/04
See application file for complete search history.

D810,475 S *	2/2018	Ben Avi	D6/667
D866,966 S *	11/2019	Wang	D3/294
D914,403 S *	3/2021	Xiao	D6/667
D914,404 S *	3/2021	Xiao	D6/667

OTHER PUBLICATIONS

Lowes, "Suncast 9.44-in Lx19.313-in 22-Gallon Brown Plastic Deck Box", First reviewed Apr. 21, 2019. (<https://www.lowes.com/pd/Suncast-17-in-L-x-22-5-in-22-Gallon-Brown-Deck-Box/1000713572>) (Year: 2019).*

* cited by examiner

Primary Examiner — April Rivas

(74) *Attorney, Agent, or Firm* — McHale & Slavin, P.A.

(57) **CLAIM**

The ornamental design for a storage container, as shown and described.

DESCRIPTION

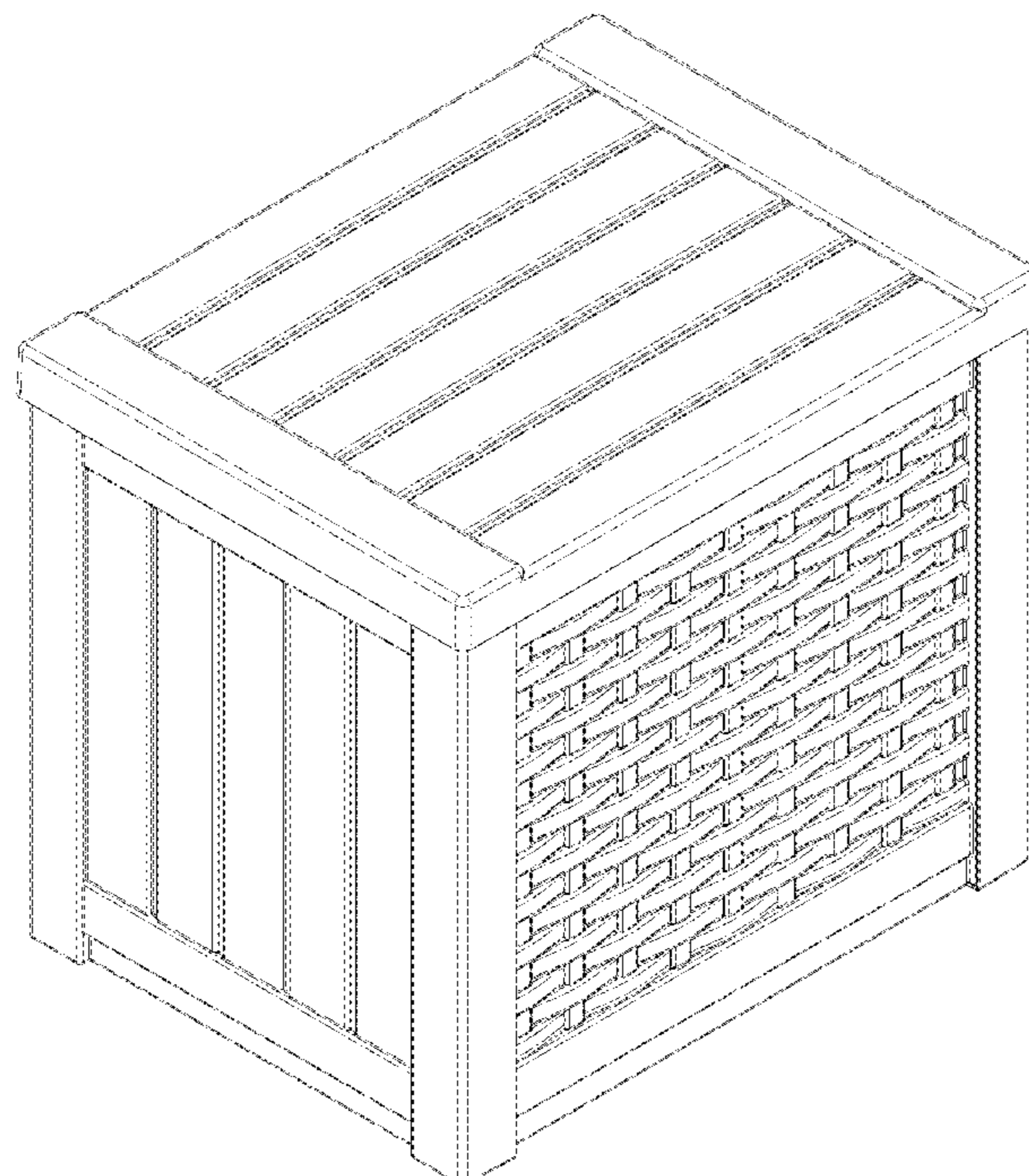
FIG. 1 is a top left front perspective view of the storage container of the present invention;
FIG. 2 is a top right front perspective view thereof;
FIG. 3 is a right side view thereof;
FIG. 4 is a left side view thereof;
FIG. 5 is a front view thereof;
FIG. 6 is a rear view thereof;
FIG. 7 is a top view thereof;
FIG. 8 is a bottom view thereof;
FIG. 9 is a bottom left front perspective view thereof; and,
FIG. 10 is bottom right front perspective view thereof.
The portions of the Figures shown in broken lines form no part of the claimed design for the storage container.

1 Claim, 9 Drawing Sheets

(56) **References Cited**

U.S. PATENT DOCUMENTS

D429,418 S *	8/2000	Tisbo	D25/16
D463,123 S *	9/2002	Hradisky	D3/306
D483,190 S *	12/2003	Richardson	D6/336
D662,726 S *	7/2012	Kopp	D6/677.3
D711,103 S *	8/2014	Wu	D3/277
D717,084 S *	11/2014	Vogler	D6/667
D730,541 S *	5/2015	Phillips	D25/33
D786,627 S *	5/2017	Thuma	D7/605



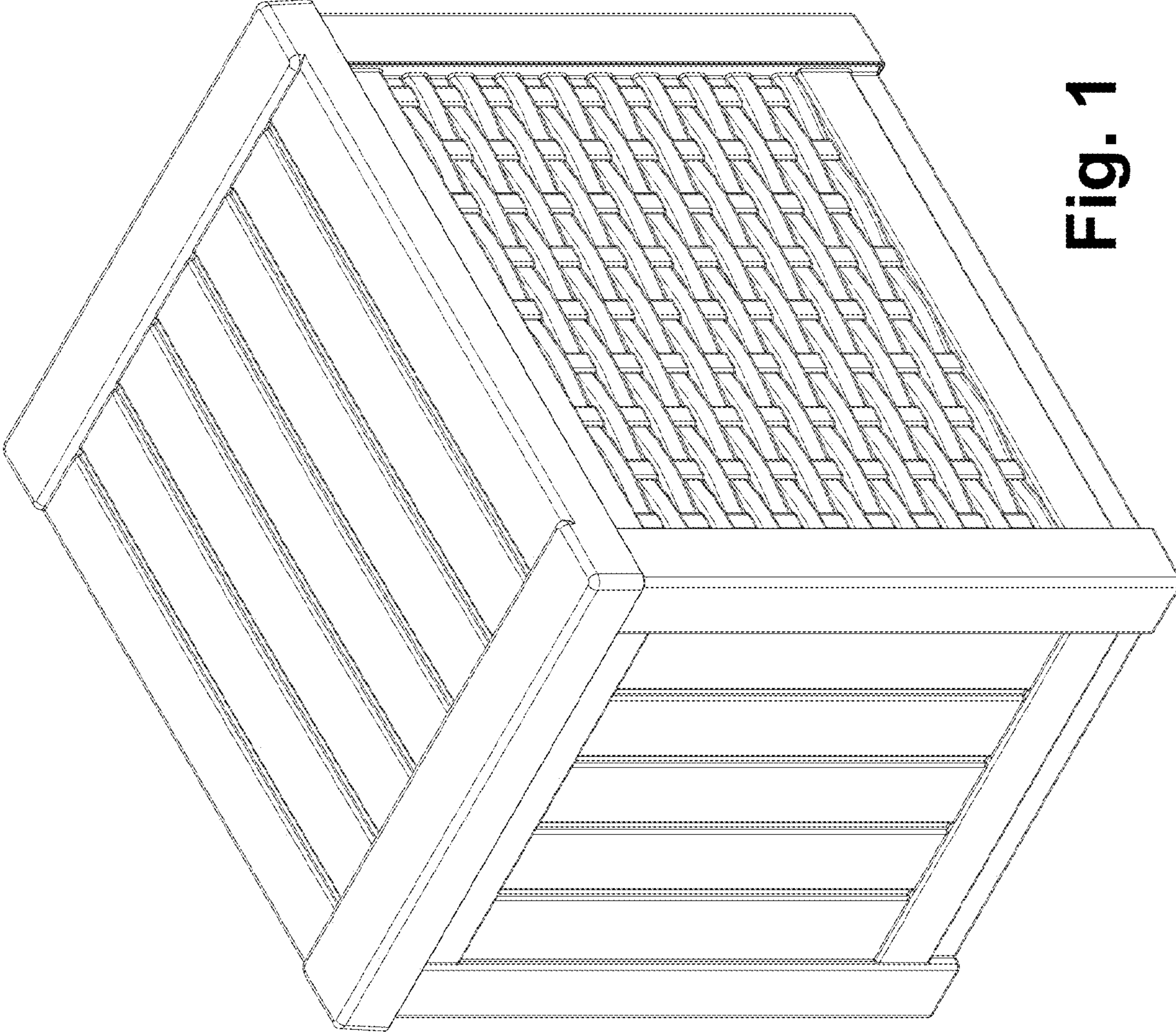


Fig. 1

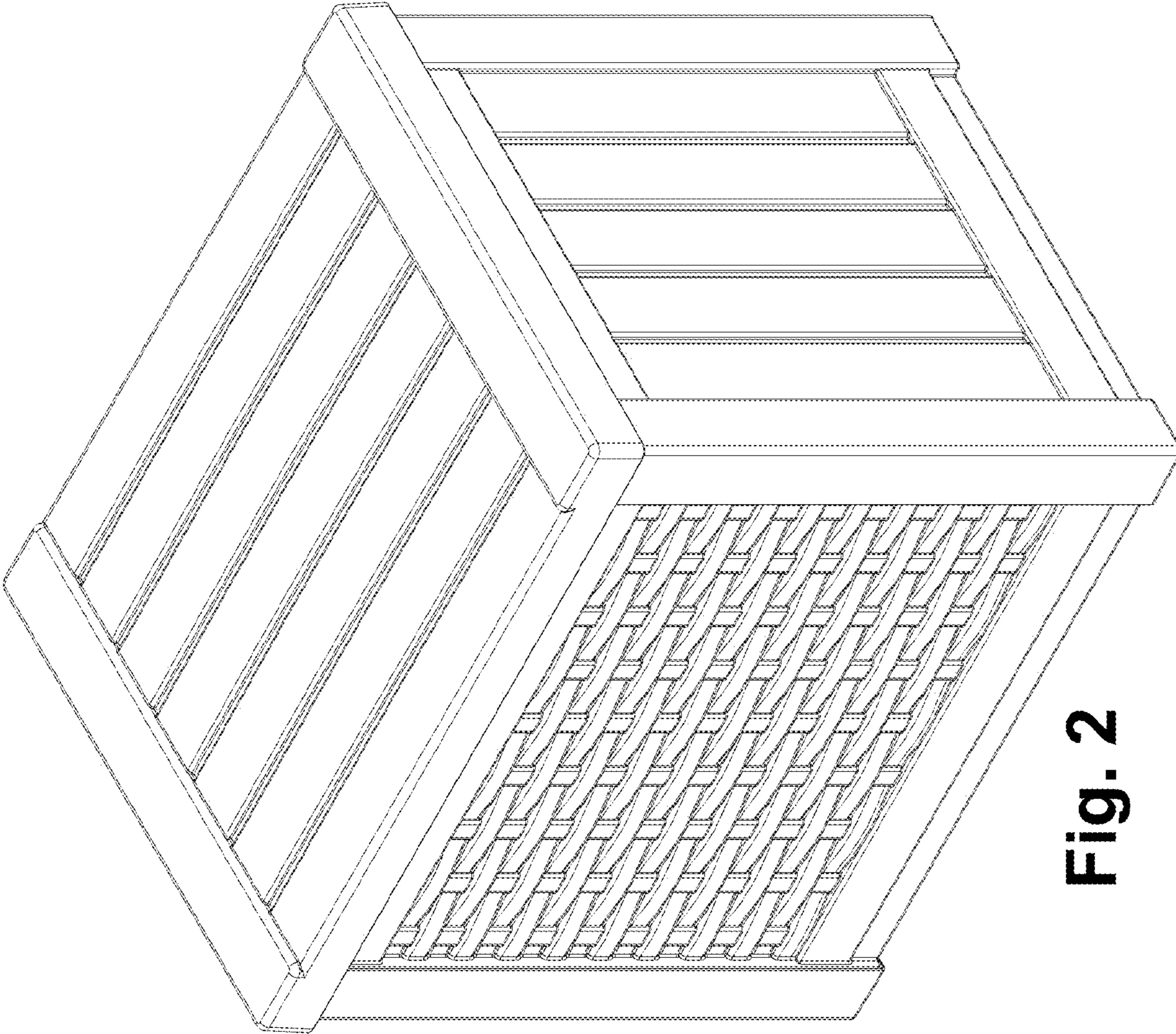


Fig. 2

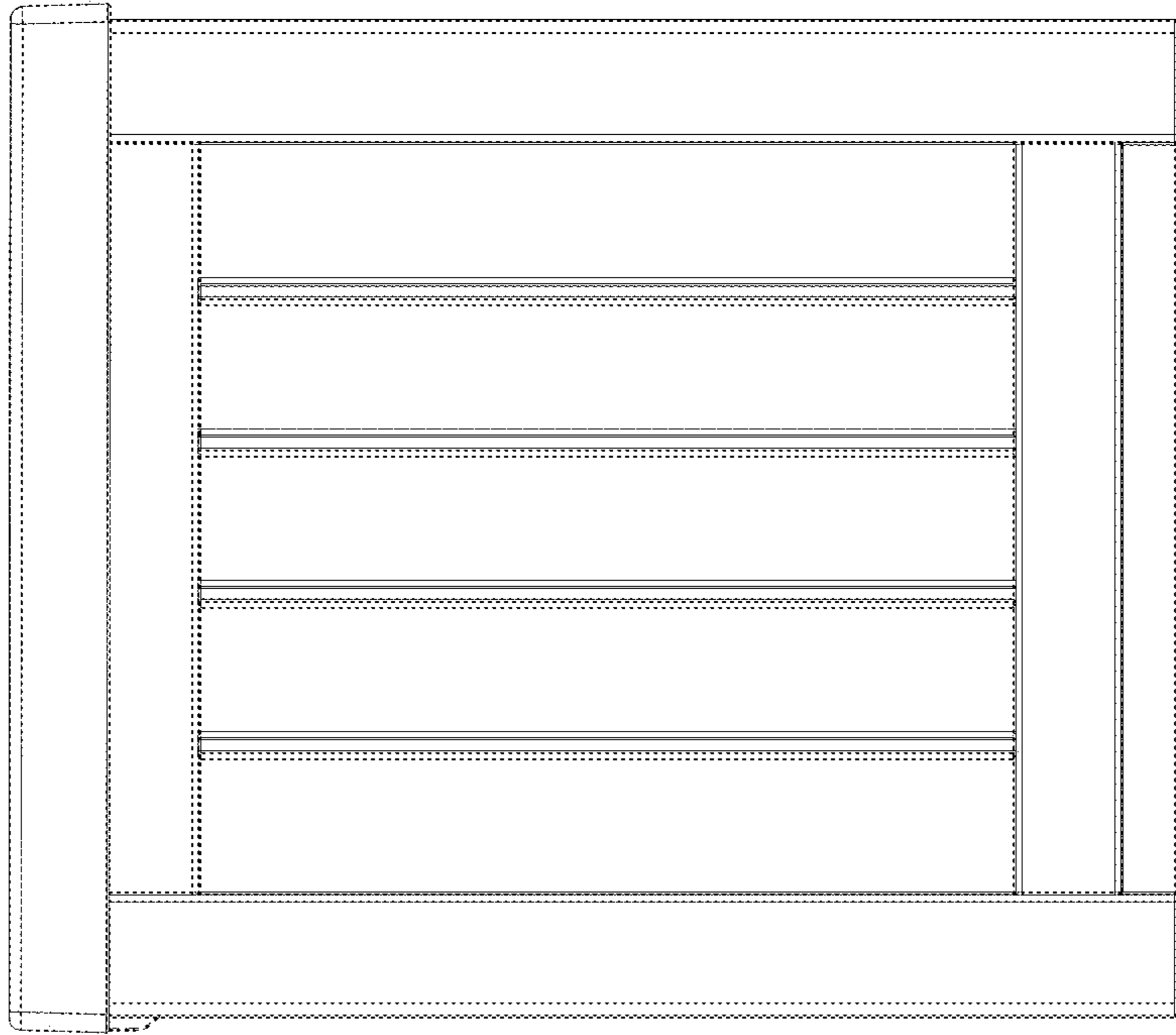


Fig. 4

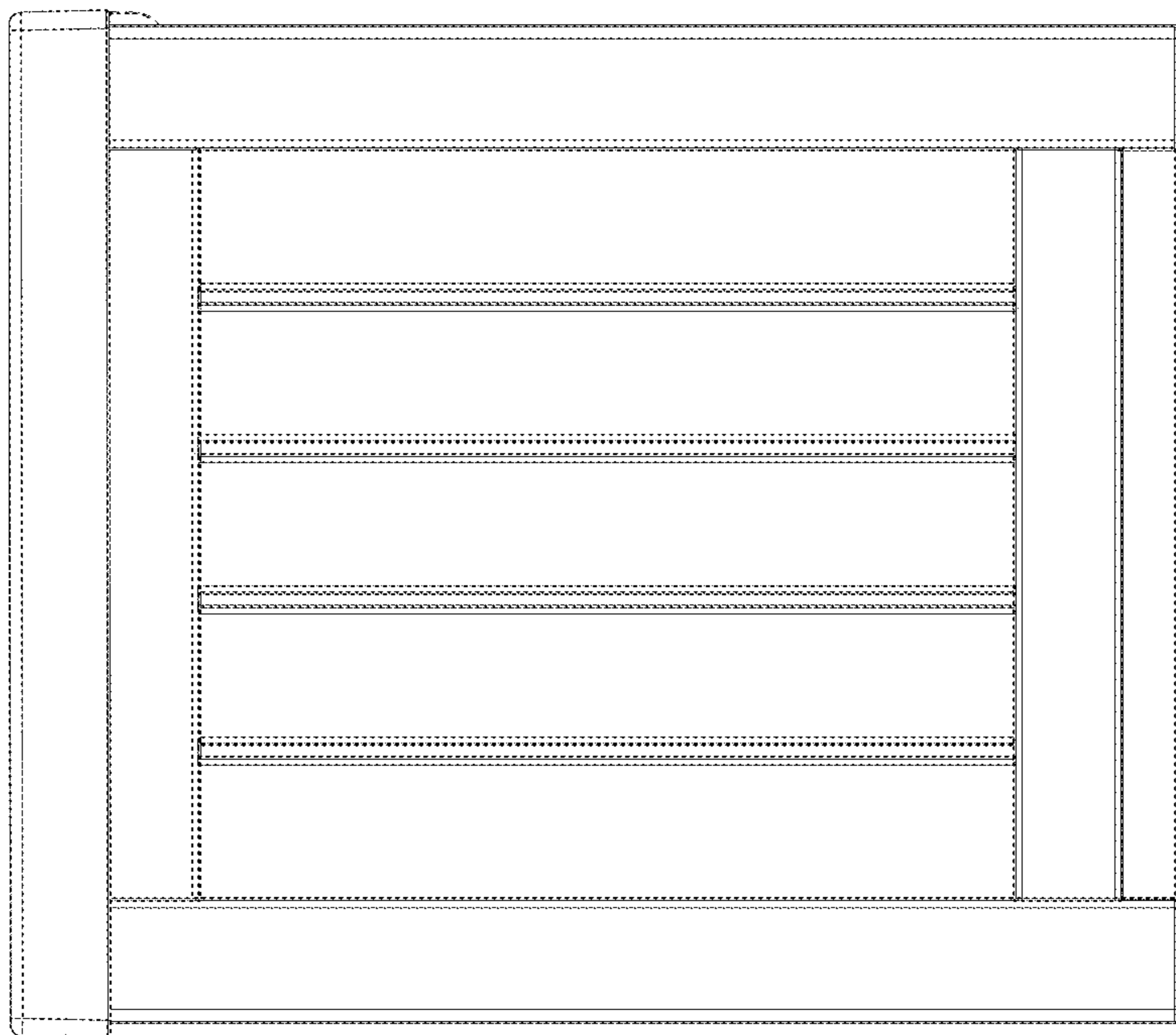


Fig. 3

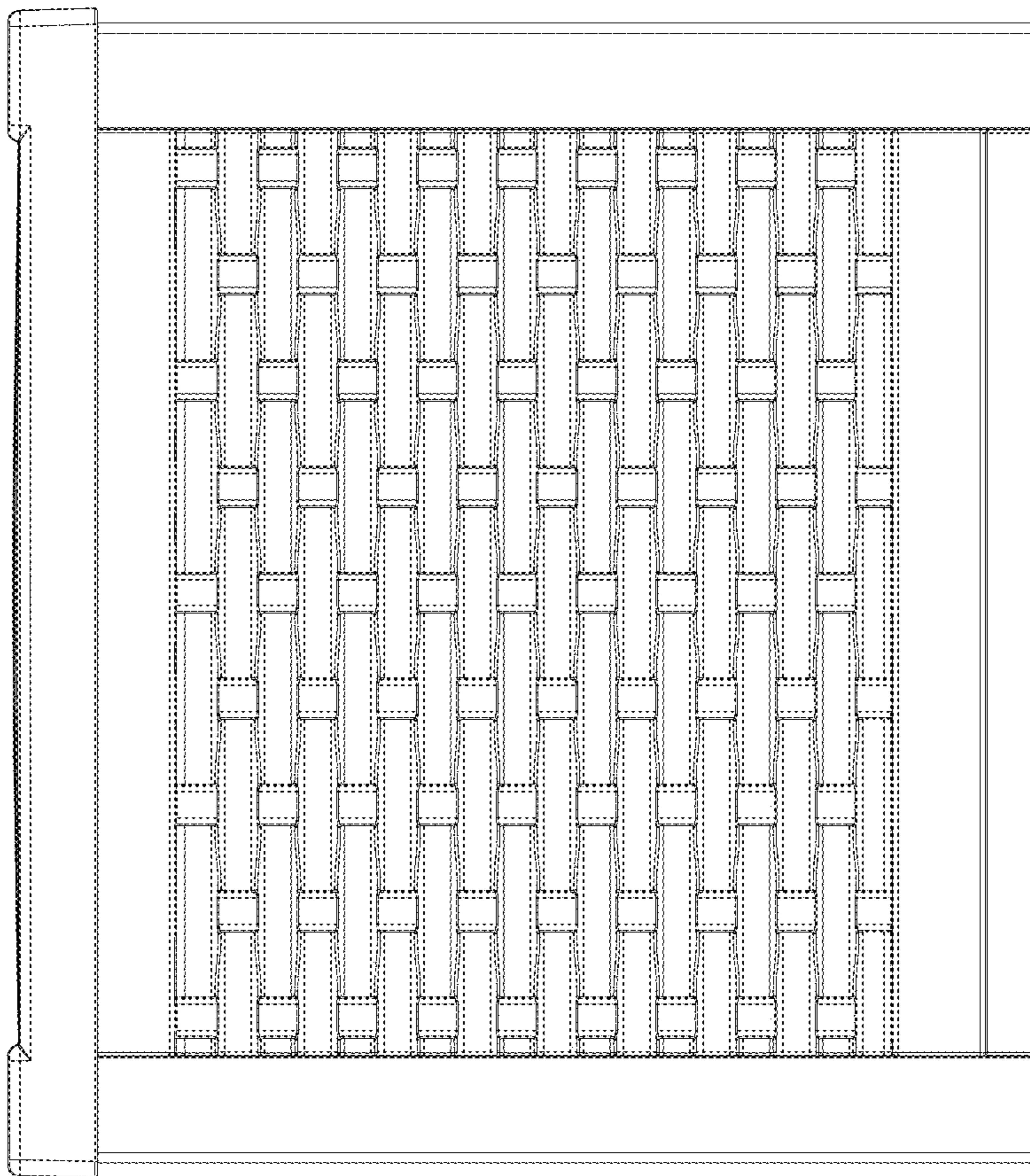


Fig. 5

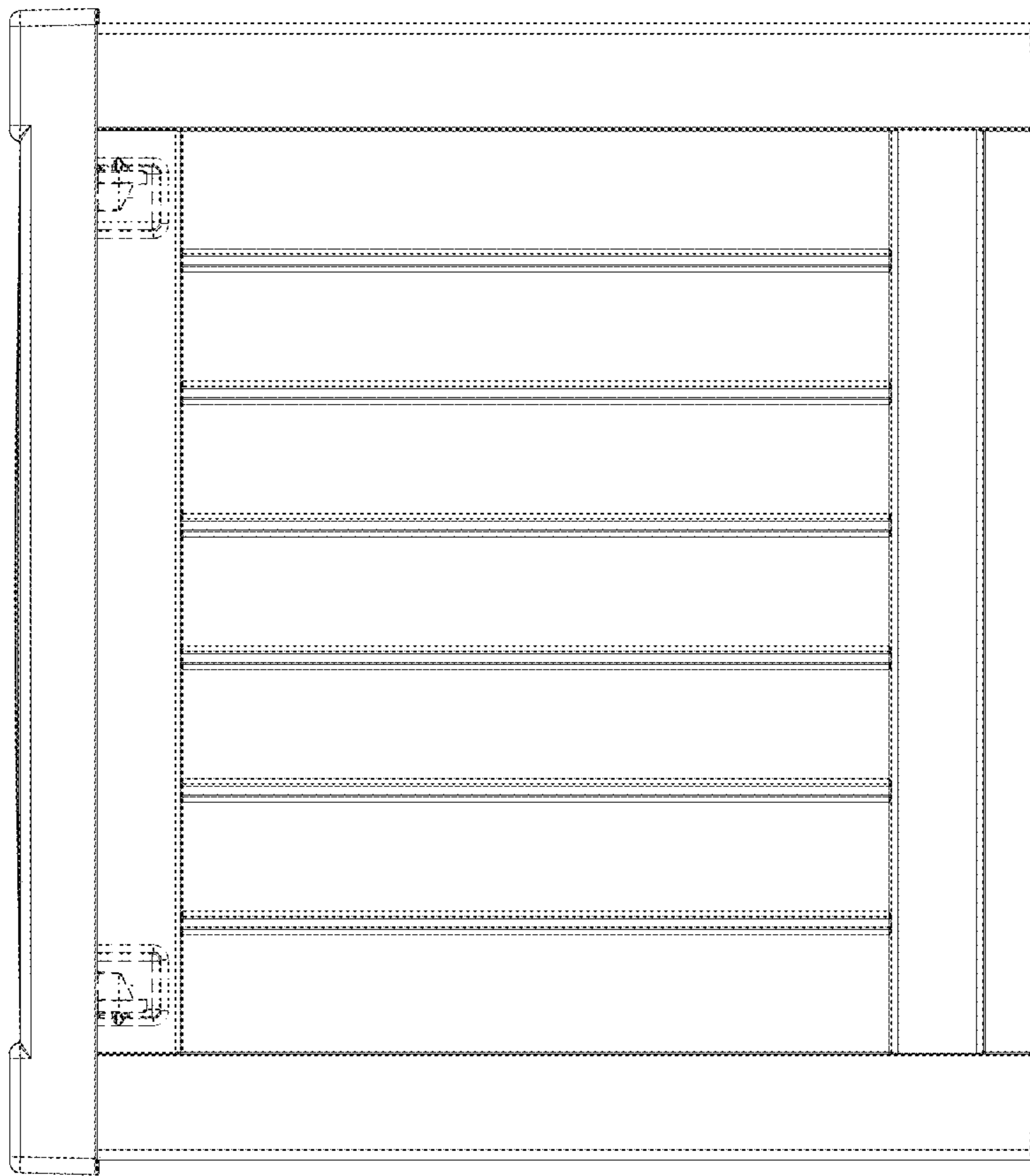


Fig. 6

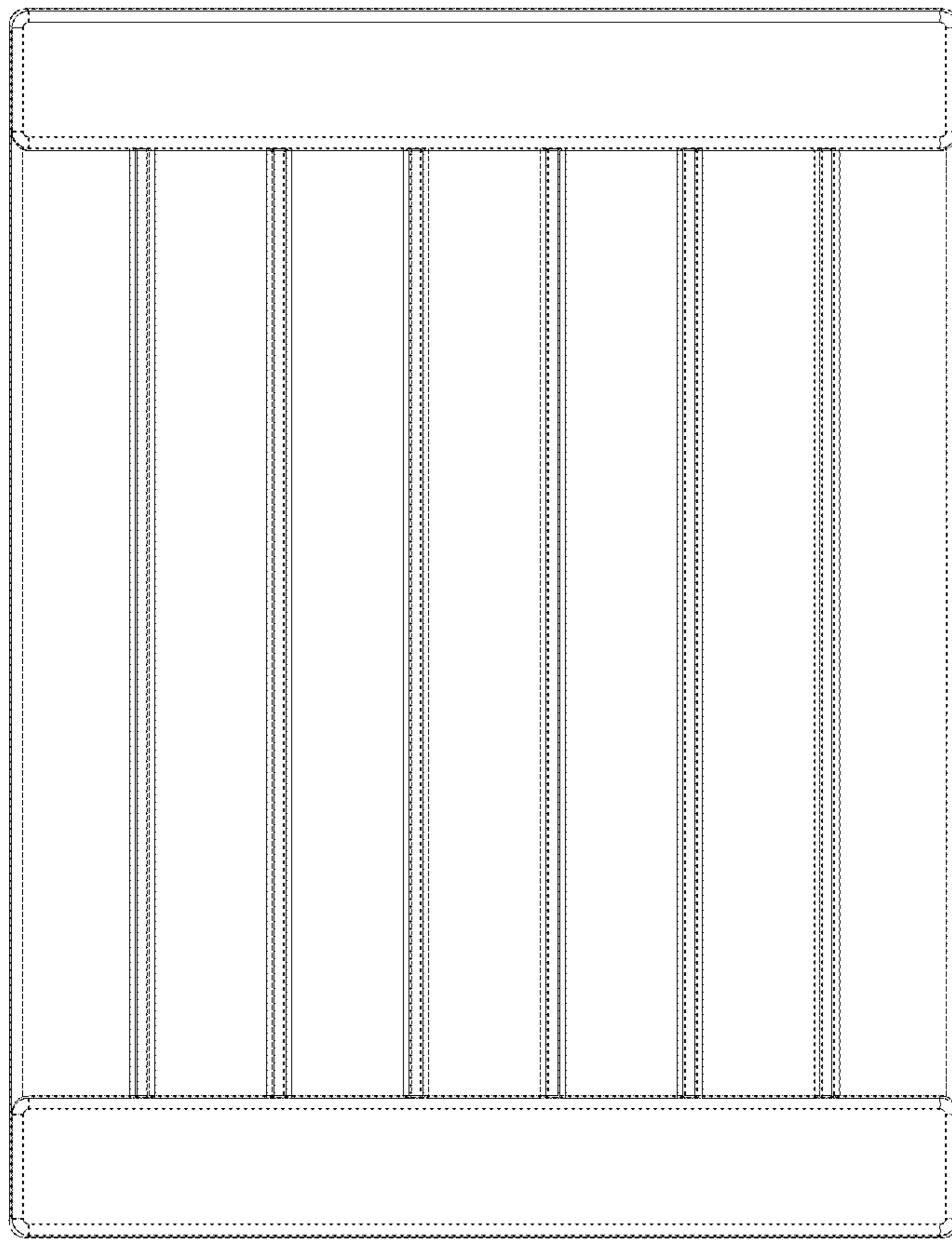


Fig. 7

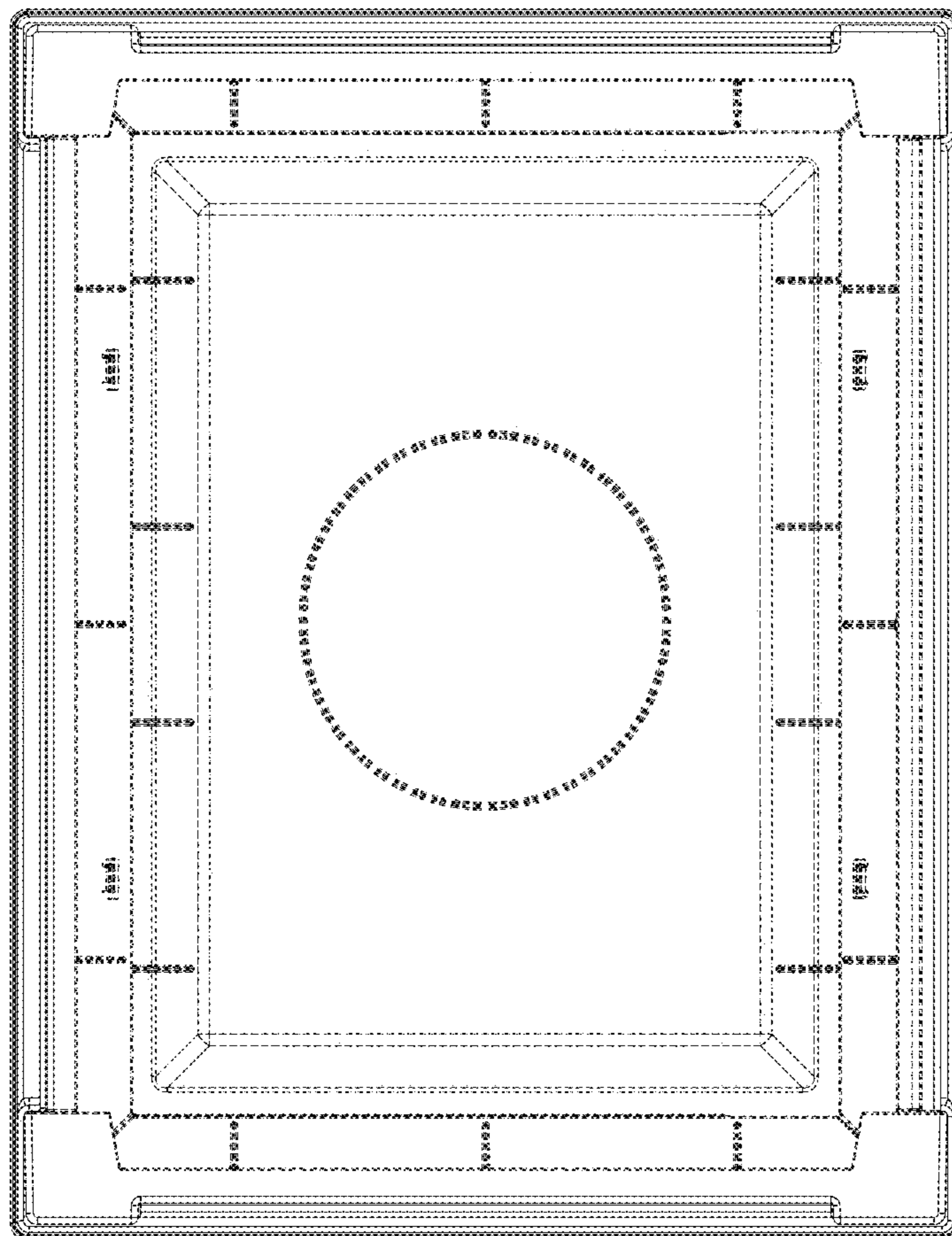


Fig. 8

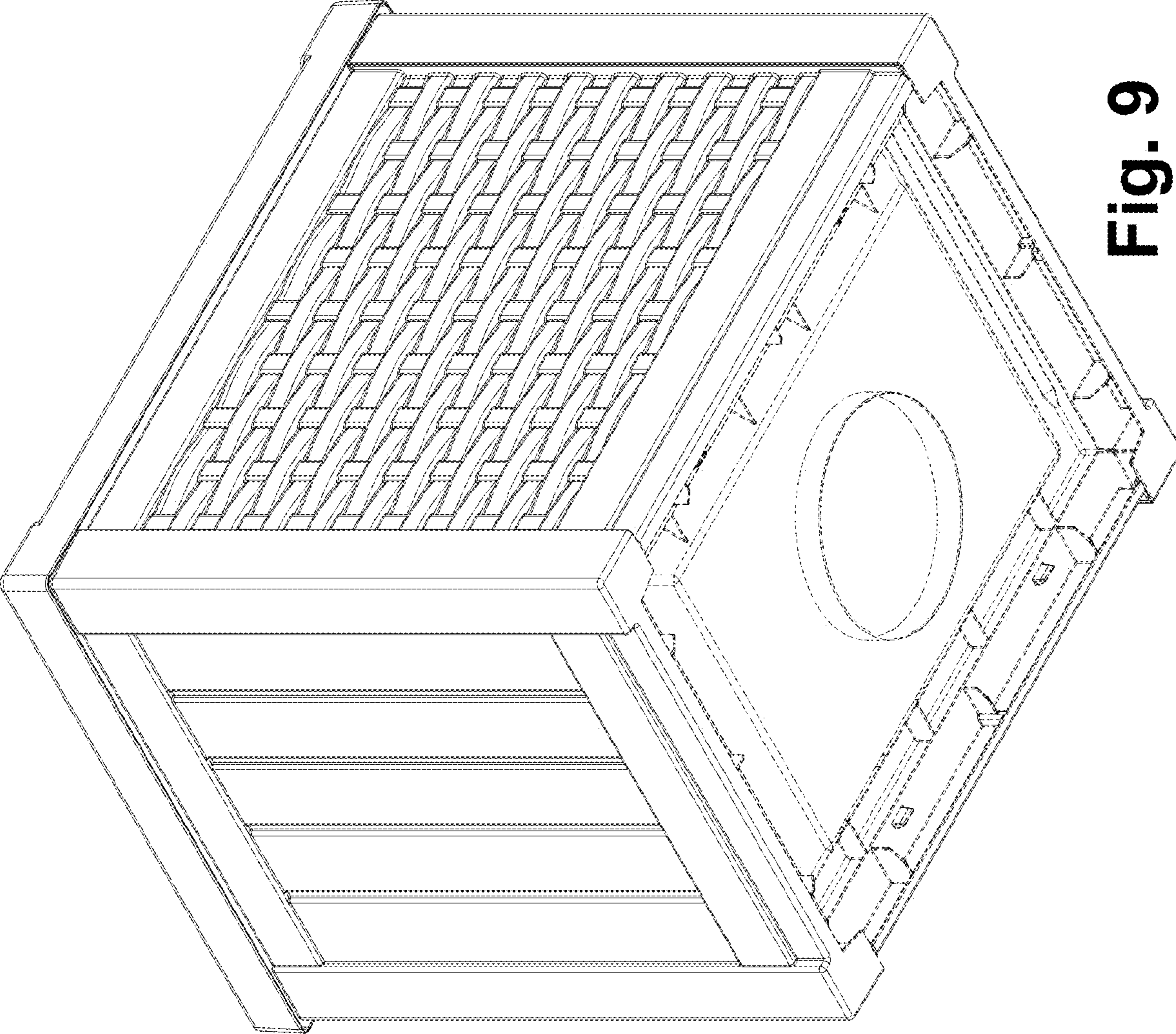


Fig. 9

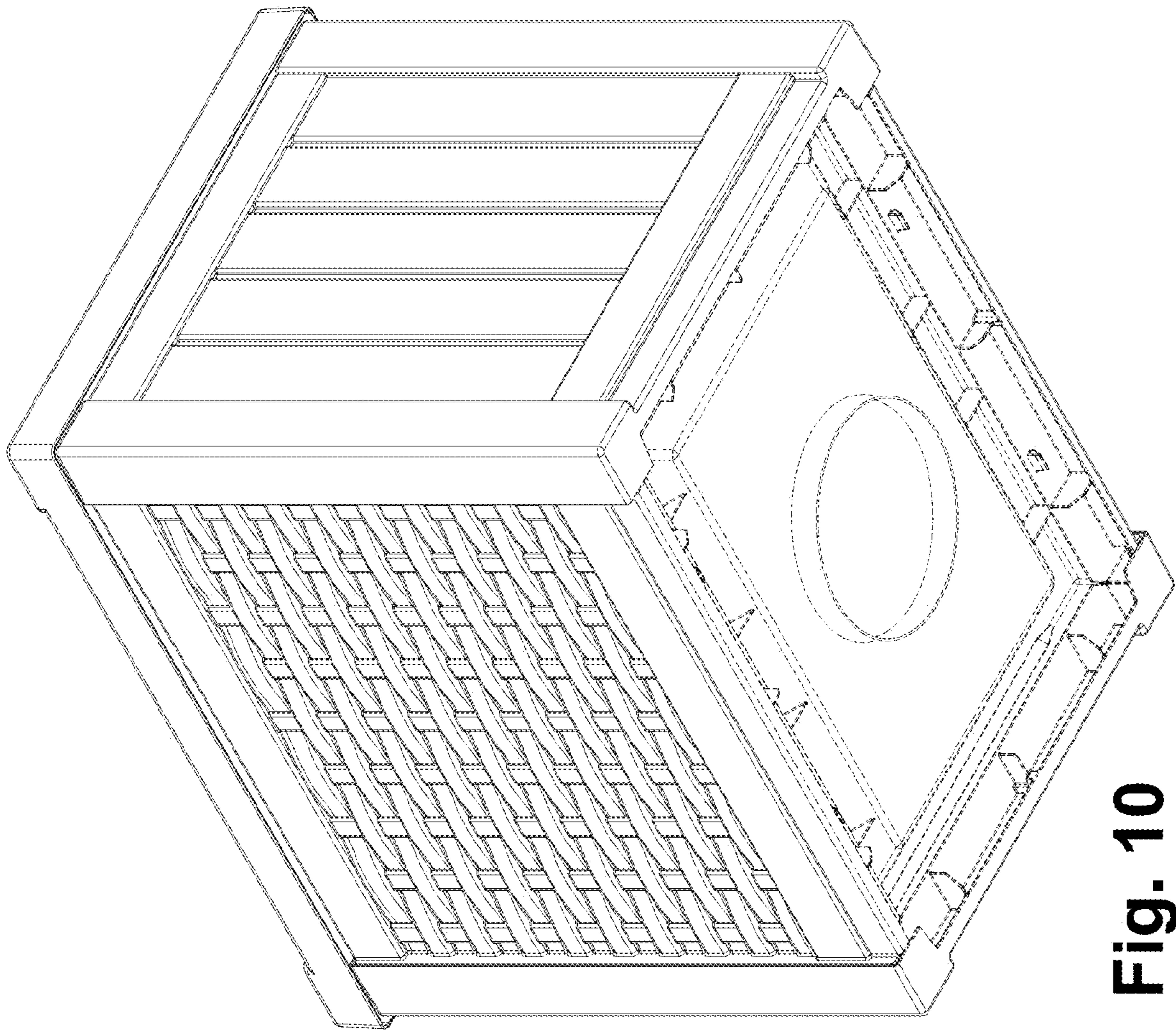


Fig. 10