



US00D954474S

(12) **United States Design Patent**
Grundy et al.

(10) **Patent No.:** **US D954,474 S**
(45) **Date of Patent:** **** Jun. 14, 2022**

(54) **DISPLAY UNIT**

D606,635 S * 12/2009 Bock D23/303
D612,467 S * 3/2010 Bock D23/303
D615,319 S * 5/2010 Tuskiewicz D6/657

(71) Applicant: **Conopco, Inc.**, Englewood Cliffs, NJ
(US)

(Continued)

(72) Inventors: **Simon Neil Grundy**, Guildford (GB);
Royston John Horne, Reigate (GB);
Varkey Bert Jacob, Bedford (GB);
Jeffrey Alan Reeve, Rushden (GB)

FOREIGN PATENT DOCUMENTS

FR 085353-002 6/2009

(73) Assignee: **Conopco, Inc.**, Englewood Cliffs, NJ
(US)

OTHER PUBLICATIONS

Co-pending U.S. Appl. No. 29/731,997; filed Apr. 20, 2020, entitled
Display Unit.

(**) Term: **15 Years**

Primary Examiner — Kevin K Rudzinski

(21) Appl. No.: **29/731,995**

Assistant Examiner — Paul D Bohannon

(22) Filed: **Apr. 20, 2020**

(74) *Attorney, Agent, or Firm* — Gerard J. McGowan, Jr.

(30) **Foreign Application Priority Data**

(57) **CLAIM**

The ornamental design for display unit, as shown and
described.

Oct. 25, 2019 (EM) 007122122-0001
Oct. 25, 2019 (EM) 007122122-0002

DESCRIPTION

(51) **LOC (13) Cl.** **06-04**
(52) **U.S. Cl.**

FIG. 1 is a perspective view of a first embodiment of our
new design;

USPC **D6/657**

FIG. 2 is a front elevation view thereof;

(58) **Field of Classification Search**

USPC D6/560, 642, 654.1, 657, 661, 662, 664,
D6/672, 673, 675, 675.1, 675.3, 699;
D34/20; D30/101; D23/303

FIG. 3 is a rear elevation view thereof;

CPC B65D 5/545; B65D 5/26; B65D 5/0015;
B65D 5/0045; B65D 1/34; B65D 21/00;
B65D 81/3813; G09F 13/0413; A47F
5/103; A47F 5/105; A47F 7/146; A47F
2003/046; A47B 81/061

FIG. 4 is a left side elevation view thereof;

See application file for complete search history.

FIG. 5 is a right side elevation view thereof;

FIG. 6 is a top plan view thereof;

FIG. 7 is a bottom plan view thereof;

FIG. 8 is a perspective view of another embodiment of our
new design;

FIG. 9 is a front elevation view thereof;

FIG. 10 is a rear elevation view thereof;

FIG. 11 is a left side elevation view thereof;

FIG. 12 is a right side elevation view thereof;

FIG. 13 is a top plan view thereof; and,

FIG. 14 is a bottom plan view thereof.

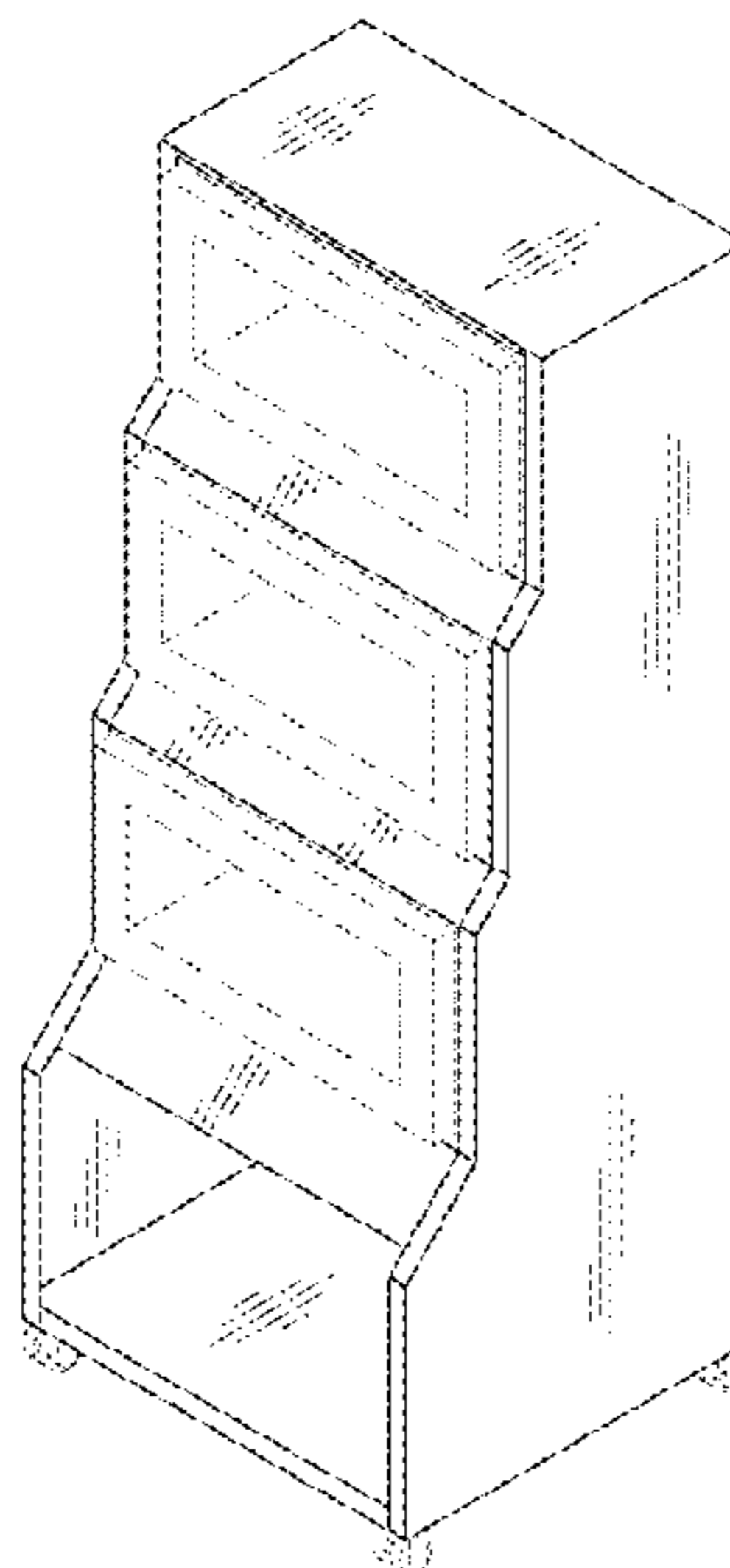
Broken lines show environmental structure and form no part
of our claimed design.

(56) **References Cited**

U.S. PATENT DOCUMENTS

D34,926 S * 8/1901 Floyd D20/4
D384,221 S * 9/1997 Roeder D6/675
D606,634 S * 12/2009 Bock D23/303

1 Claim, 10 Drawing Sheets



(56)

References Cited

U.S. PATENT DOCUMENTS

D927,229 S * 8/2021 Stravitz D6/668.2
D927,899 S * 8/2021 Stravitz D6/670

* cited by examiner

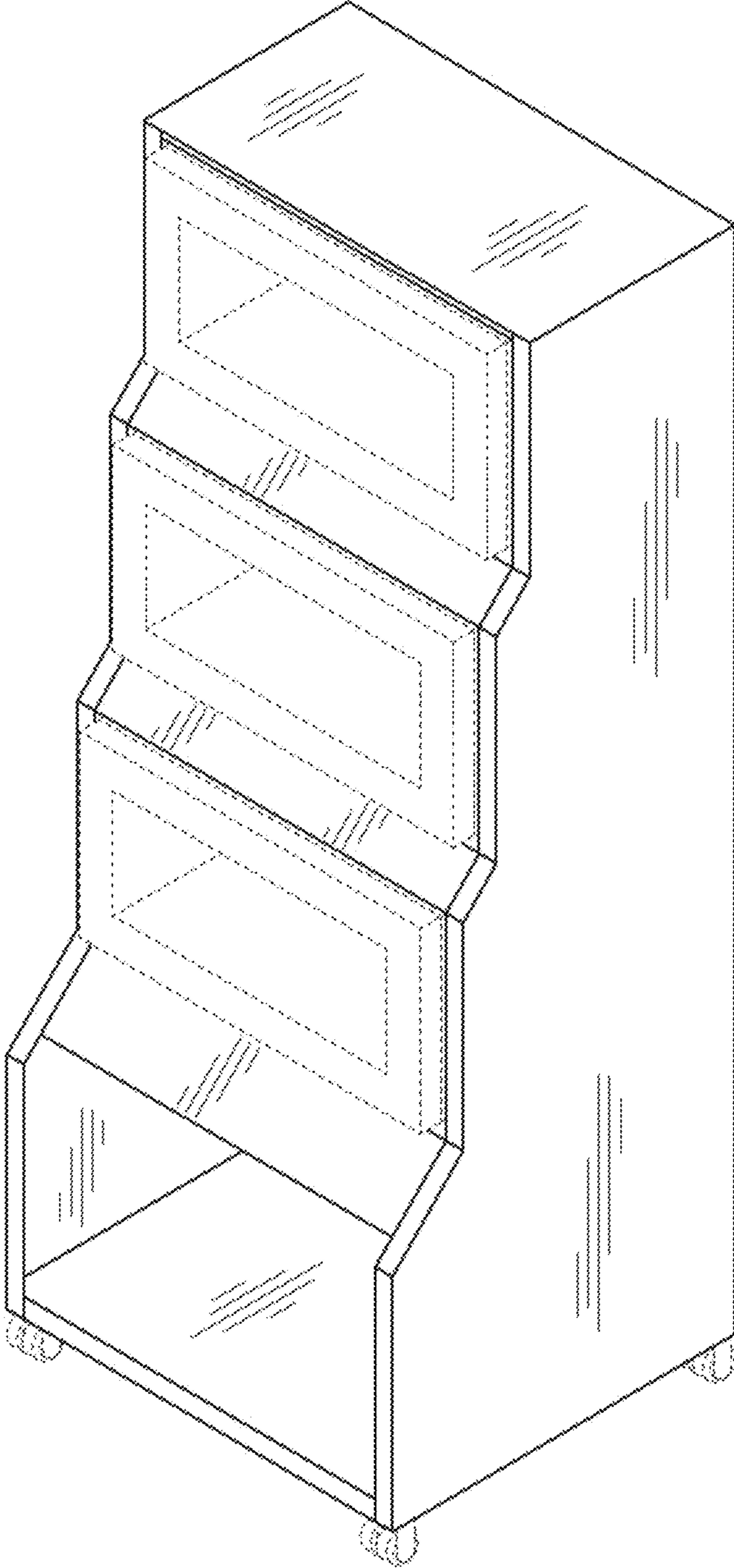


Fig. 1

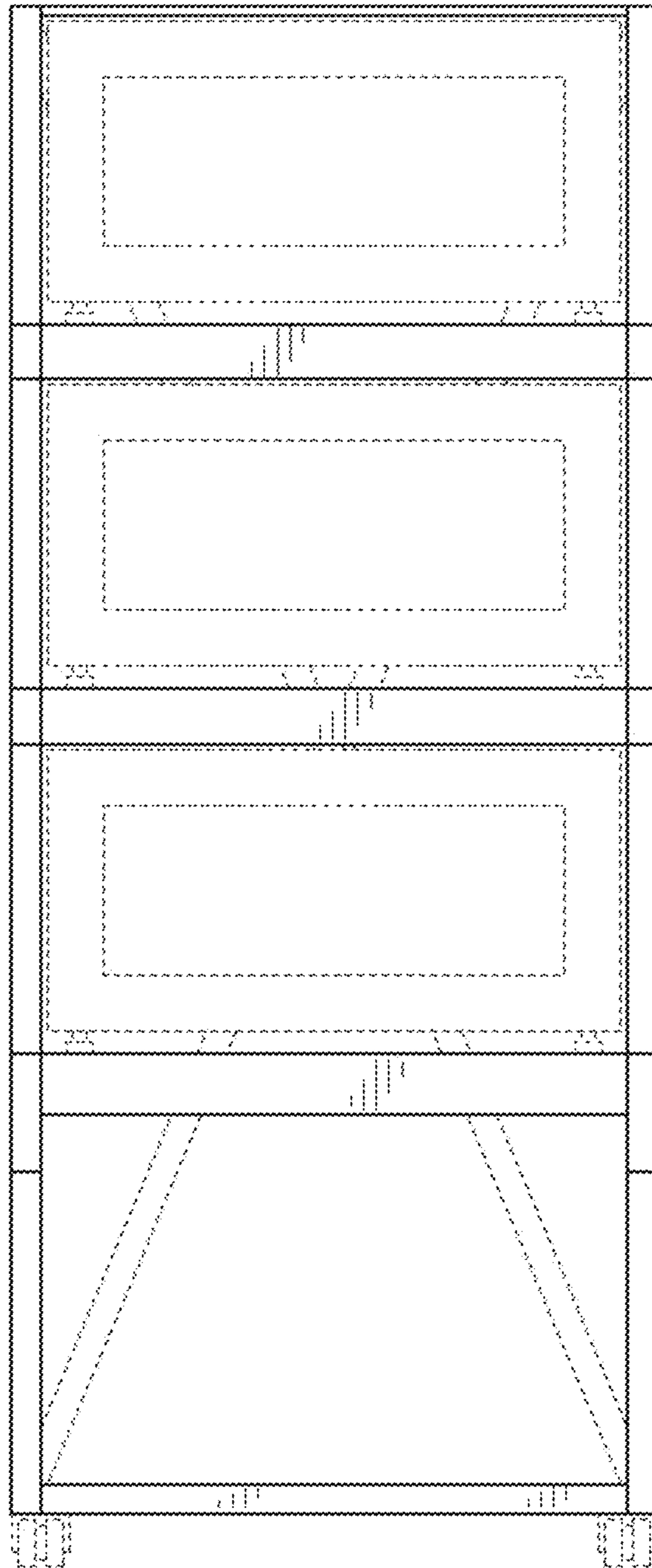


Fig. 2

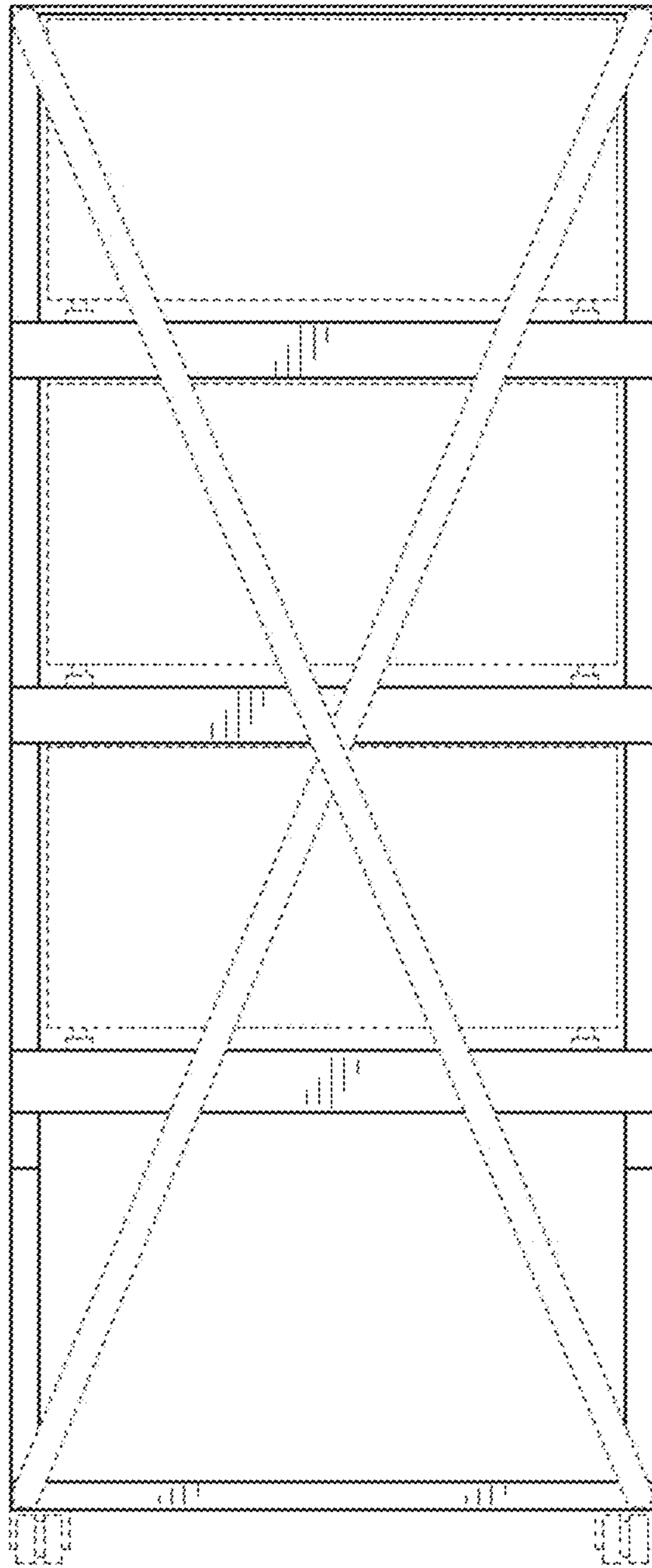


Fig. 3

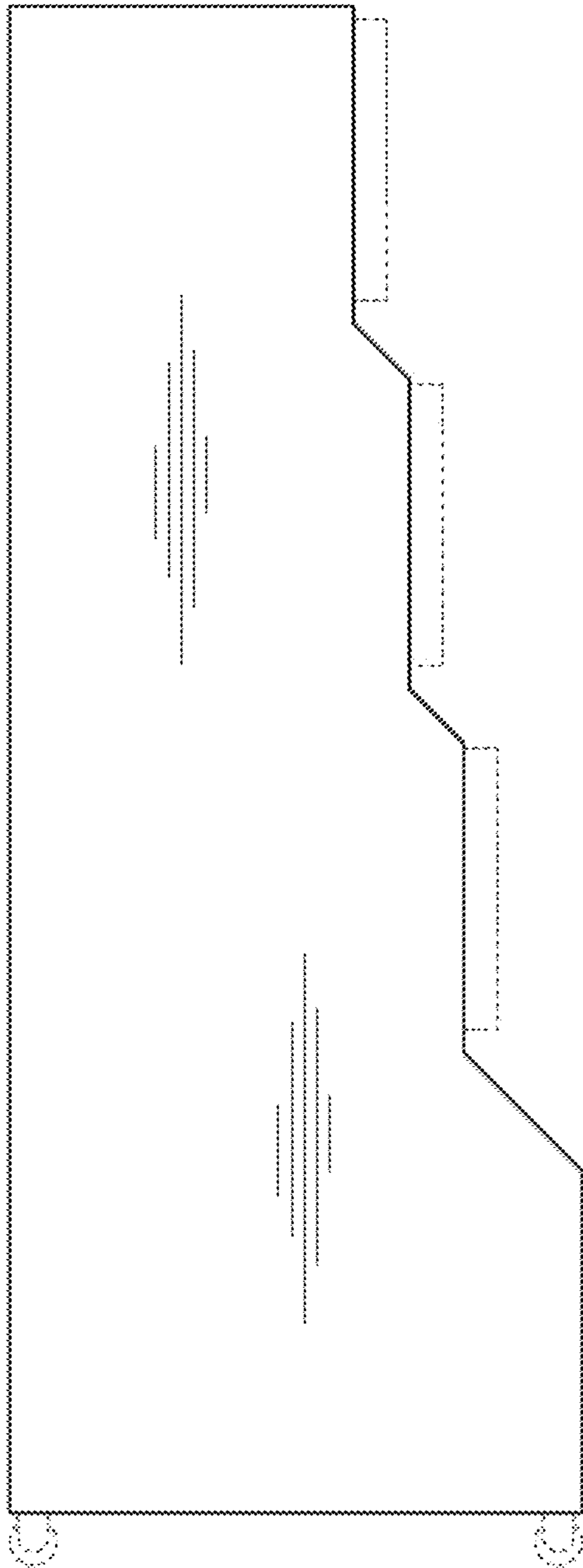


Fig. 4

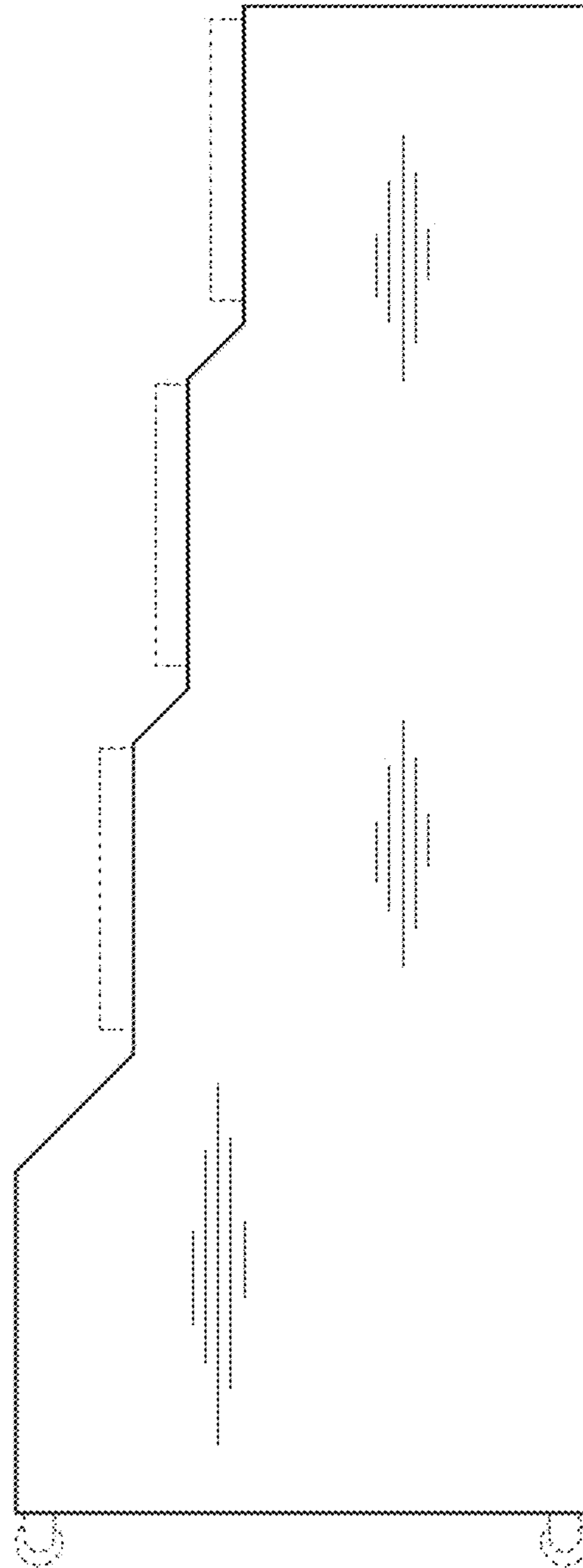


Fig. 5

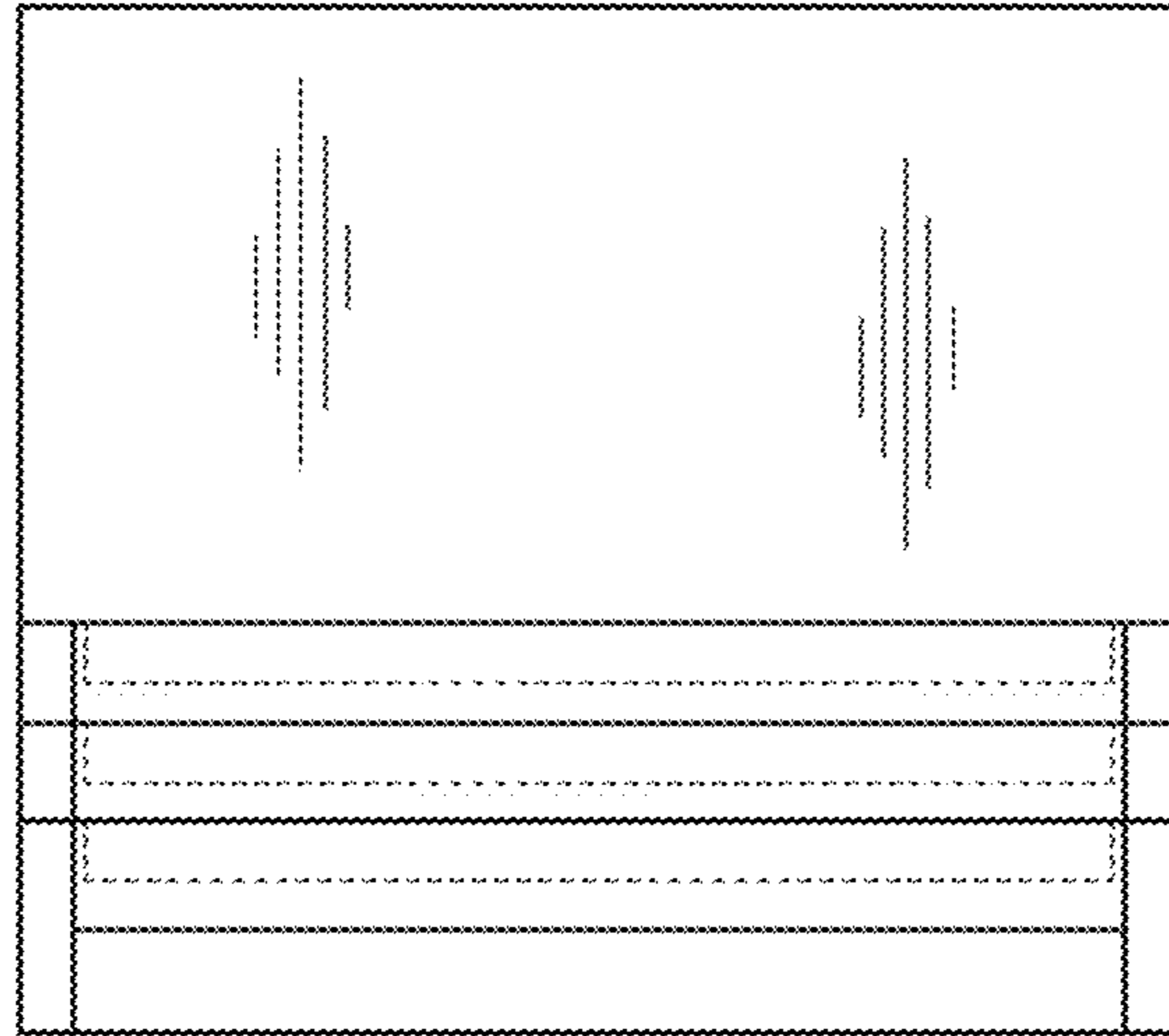


Fig. 6

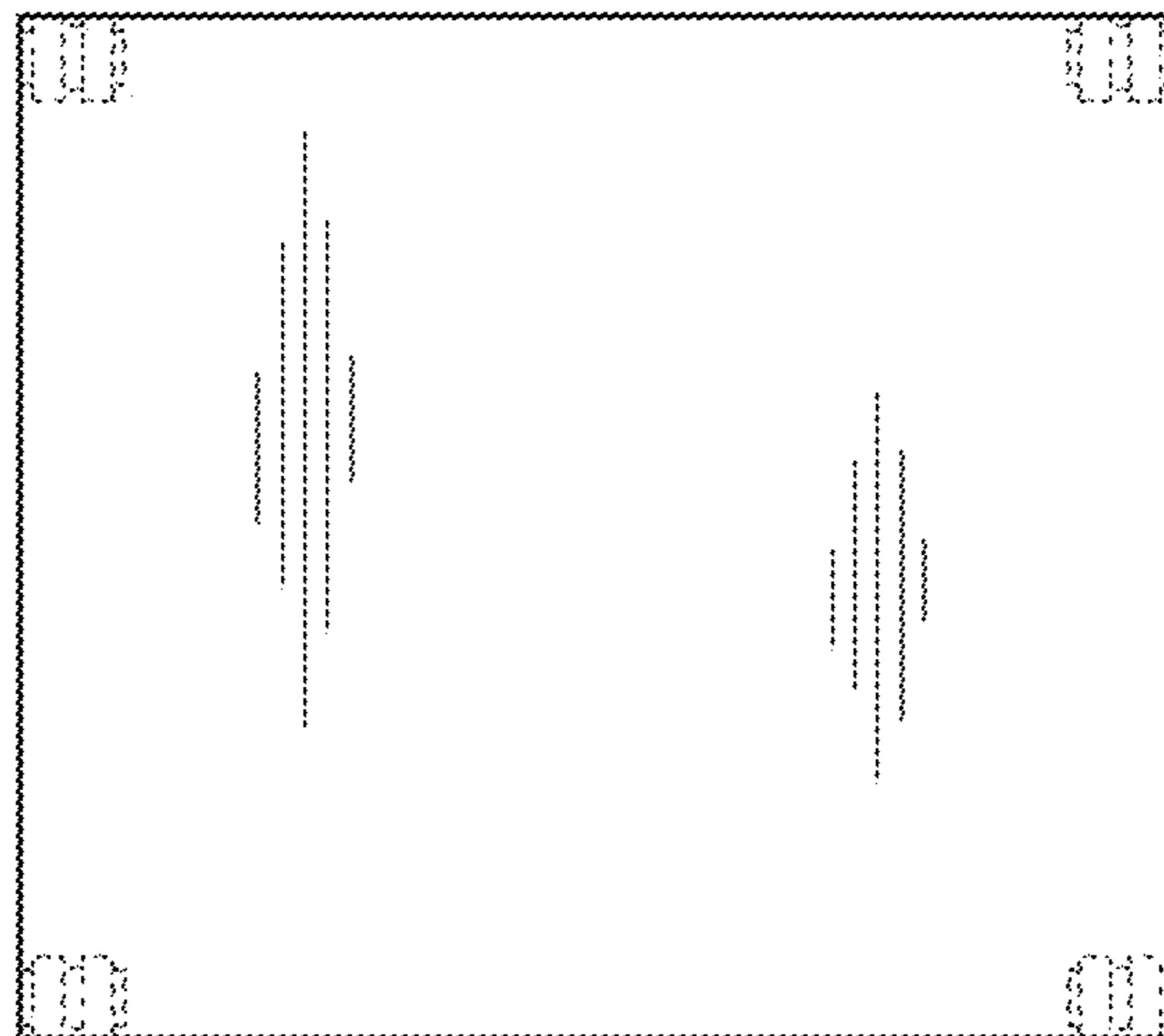


Fig. 7

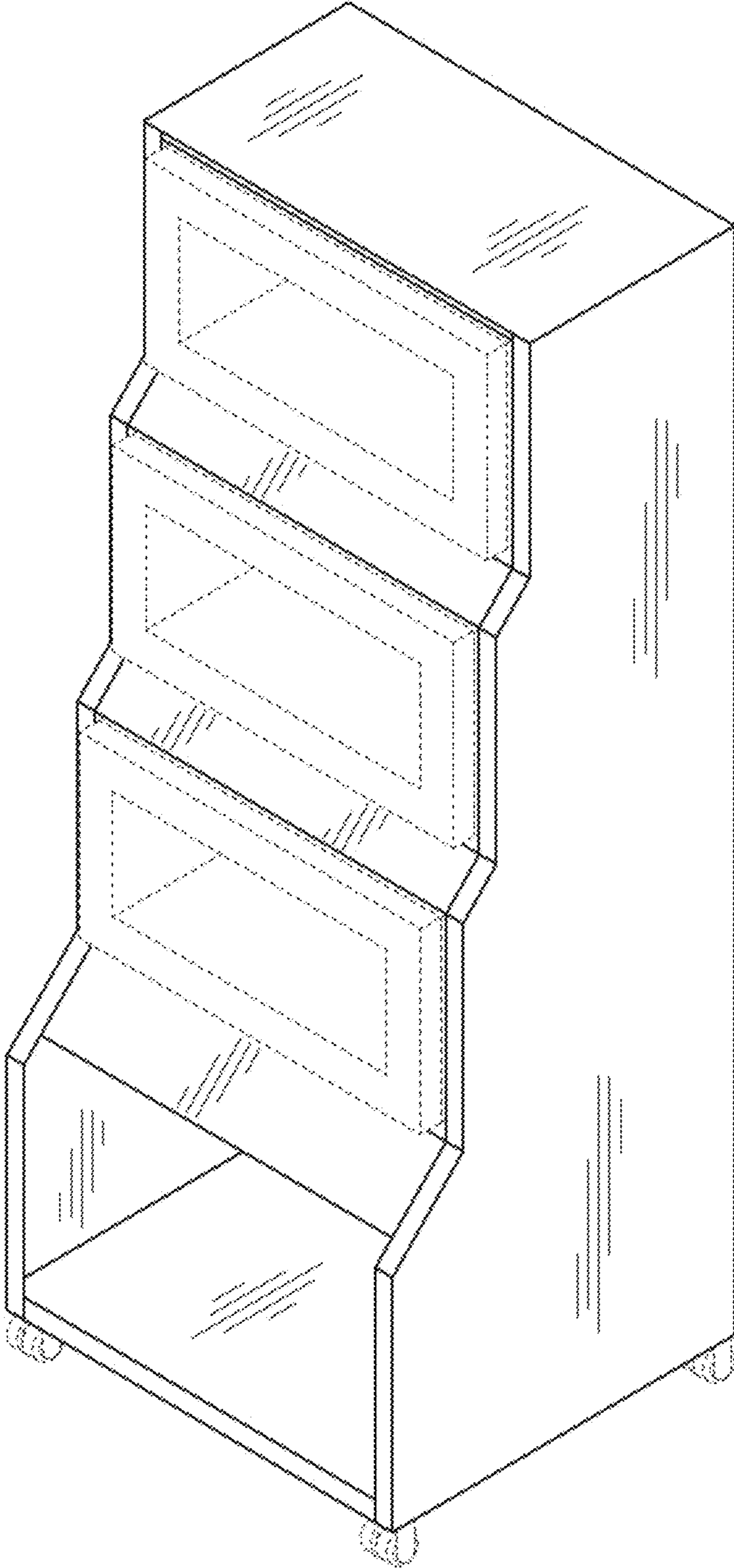


Fig. 8

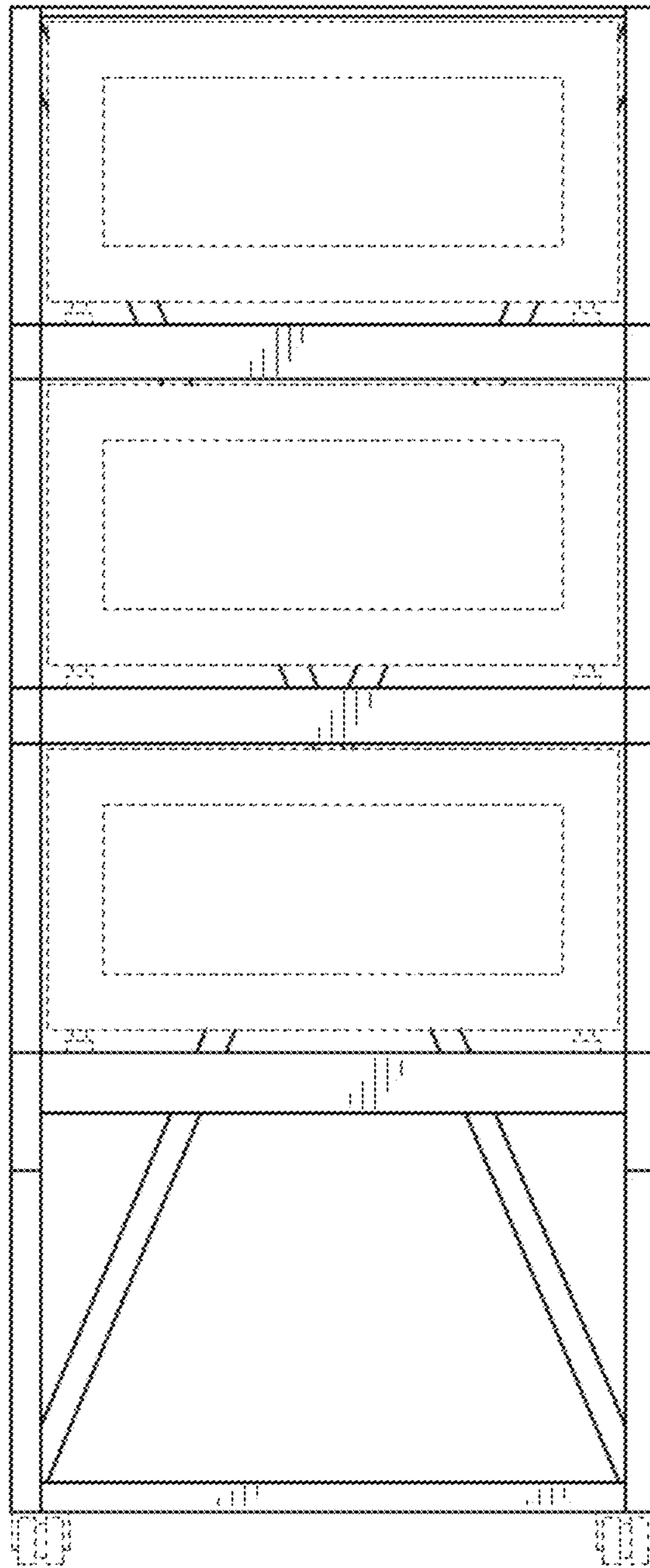


Fig. 9

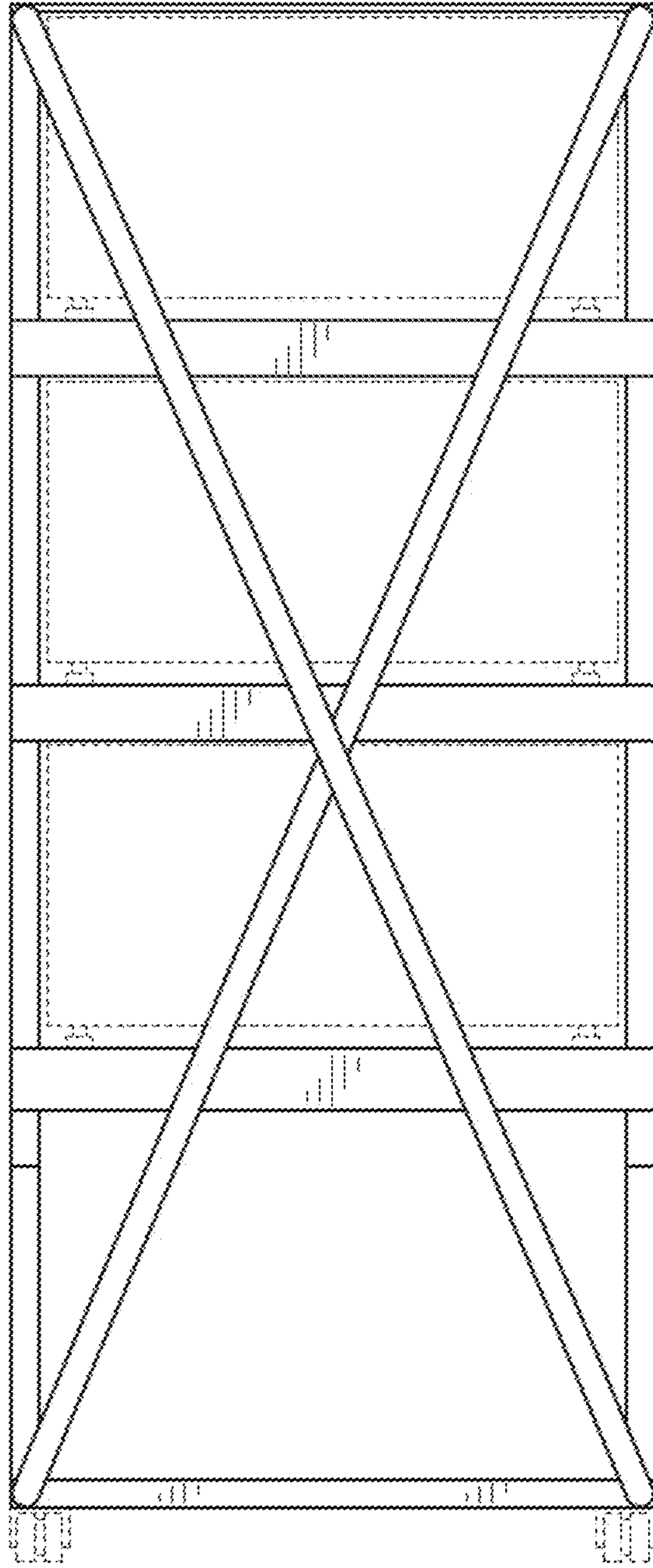


Fig. 10

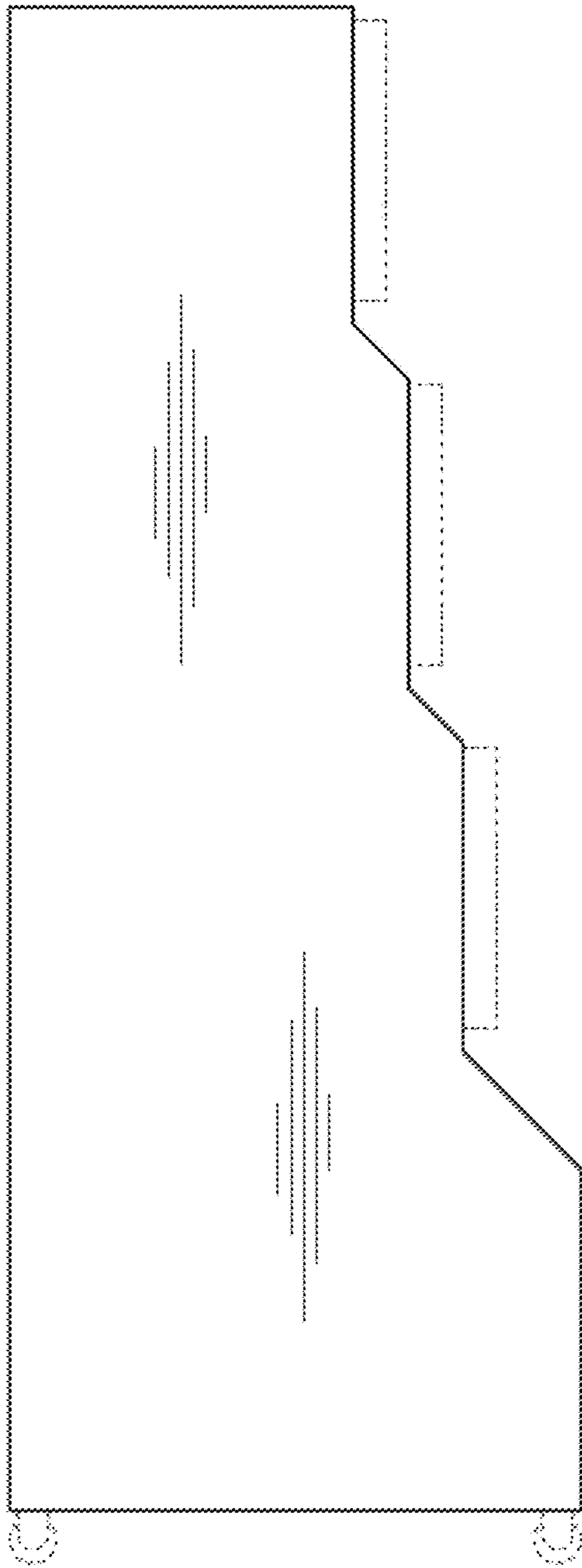


Fig. 11

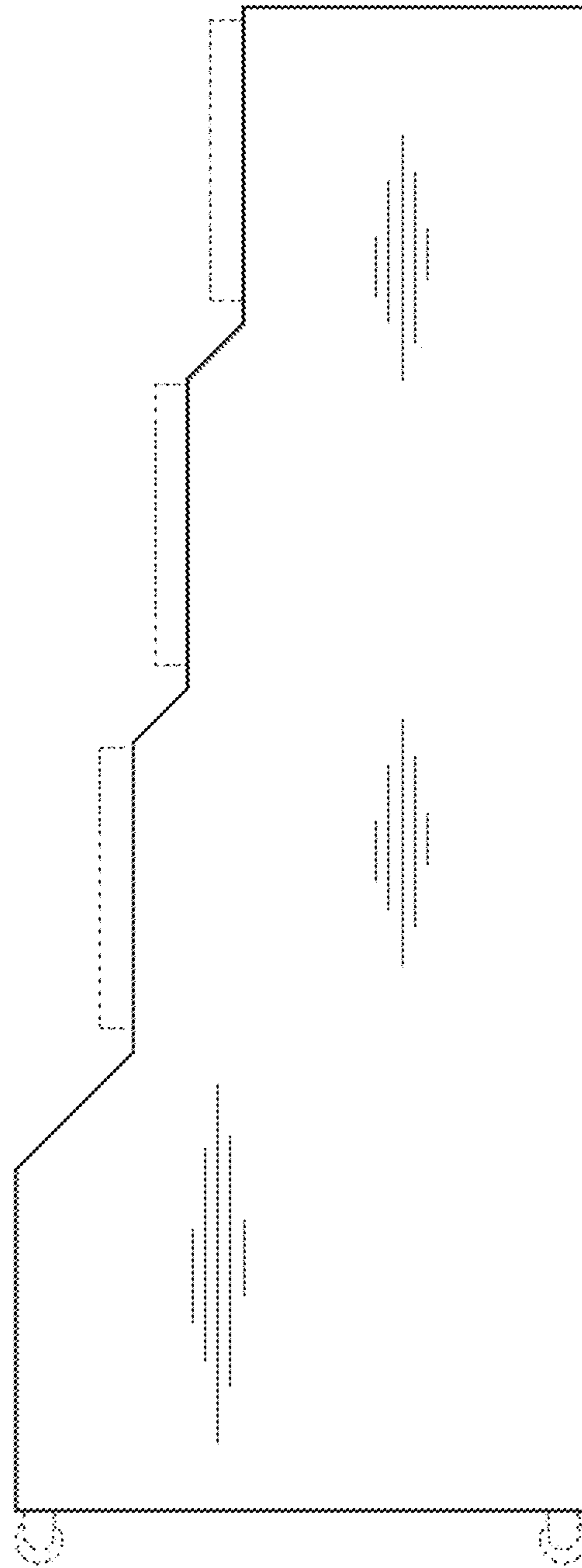


Fig. 12

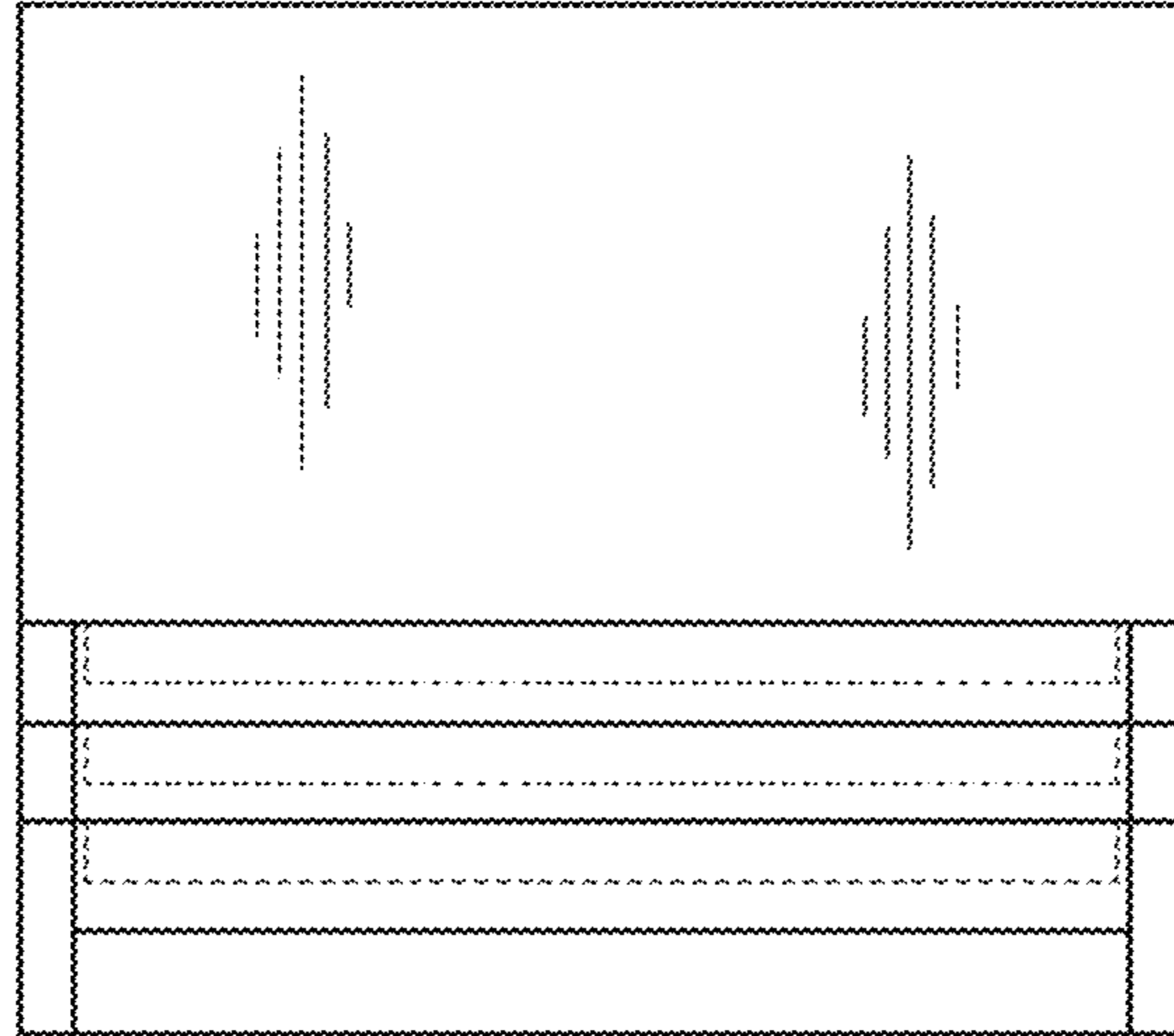


Fig. 13

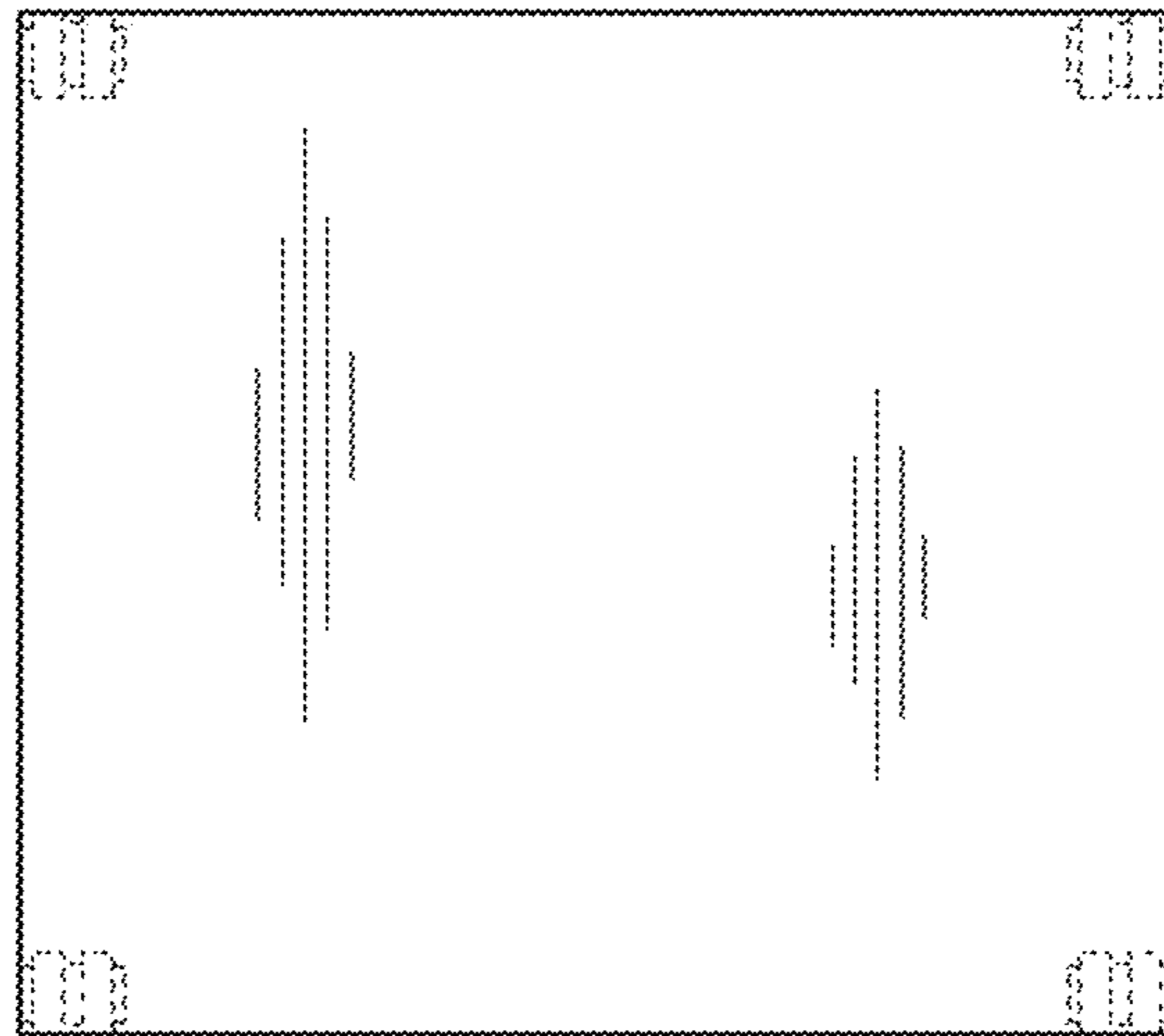


Fig. 14