



US00D954472S

(12) **United States Design Patent**
Li

(10) **Patent No.:** **US D954,472 S**

(45) **Date of Patent:** **** Jun. 14, 2022**

(54) **DESK**

(71) Applicant: **Gold Wing Trading Inc.**, Los Angeles, CA (US)

(72) Inventor: **Qichao Li**, Foshan (CN)

(**) Term: **15 Years**

(21) Appl. No.: **29/773,814**

(22) Filed: **Mar. 11, 2021**

(51) **LOC (13) Cl.** **06-03**

(52) **U.S. Cl.**

USPC **D6/648**

(58) **Field of Classification Search**

USPC D6/641, 642, 648, 648.1-648.4, 655, D6/655.1, 655.11, 655.12, 655.17-655.19

CPC .. A47B 7/00; A47B 9/00; A47B 13/00; A47B 13/02; A47B 13/04; A47B 13/06; A47B 13/08; A47B 13/10; A47B 13/12; A47B 17/00; A47B 17/003; A47B 17/006; A47B 21/00; A47B 21/02; A47B 2200/0001; A47B 2200/0002; A47B 2200/0011; A47B 2200/002; A47B 2200/0066

See application file for complete search history.

(56) **References Cited**

U.S. PATENT DOCUMENTS

D279,846 S *	7/1985	Esslinger	D6/641
D290,197 S *	6/1987	Hoffman	D6/648
D320,709 S *	10/1991	Lotsch	D6/648
D353,959 S *	1/1995	Kovacevic	D6/644
D371,699 S	7/1996	Muller-Deisig et al.		
D377,873 S	2/1997	Flototto		
D390,376 S	2/1998	Chang		
D422,429 S	4/2000	Belka et al.		
D428,557 S	7/2000	Chang		
D430,763 S *	9/2000	Scheffer	D6/648
D459,619 S	7/2002	Glass		
D739,165 S	9/2015	Momeny		
D877,542 S	3/2020	Ciapala		

D880,905 S *	4/2020	Huang	D6/648
D899,154 S *	10/2020	Huang	D6/648
D908,400 S	1/2021	Wu		
D917,934 S *	5/2021	Chu	D6/648
D936,393 S *	11/2021	Li	D6/648

OTHER PUBLICATIONS

Elephance Large L-Shaped Desk with Shelves—Amazon, Date first available Oct. 14, 2020 https://www.amazon.com/Elephance-L-Shaped-Shelves-Computer-Workstation/dp/B08L65X556/ref=sr_1_4?dchild=1&keywords=computer+corner+desk+with+storage&qid=1623188397&sr=8-4 retrieved from the internet on Jun. 8, 2021.*
Teraves Modern L Shaped Desk with Shelves—Amazon, Date first available Jan. 11, 2021 https://www.amazon.com/Teraves-Modern-Shelves-Computer-Desktop/dp/B08SLMFJ72/ref=sr_1_20?keywords=Corner%2BDesk&qid=1639084395&sr=8-20&th=1 retrieved from the internet on Dec. 9, 2021.*

* cited by examiner

Primary Examiner — Mary Ann Calabrese
(74) *Attorney, Agent, or Firm* — Xiaofang Zhong; Law Office of Xiaofang Zhong, PLLC

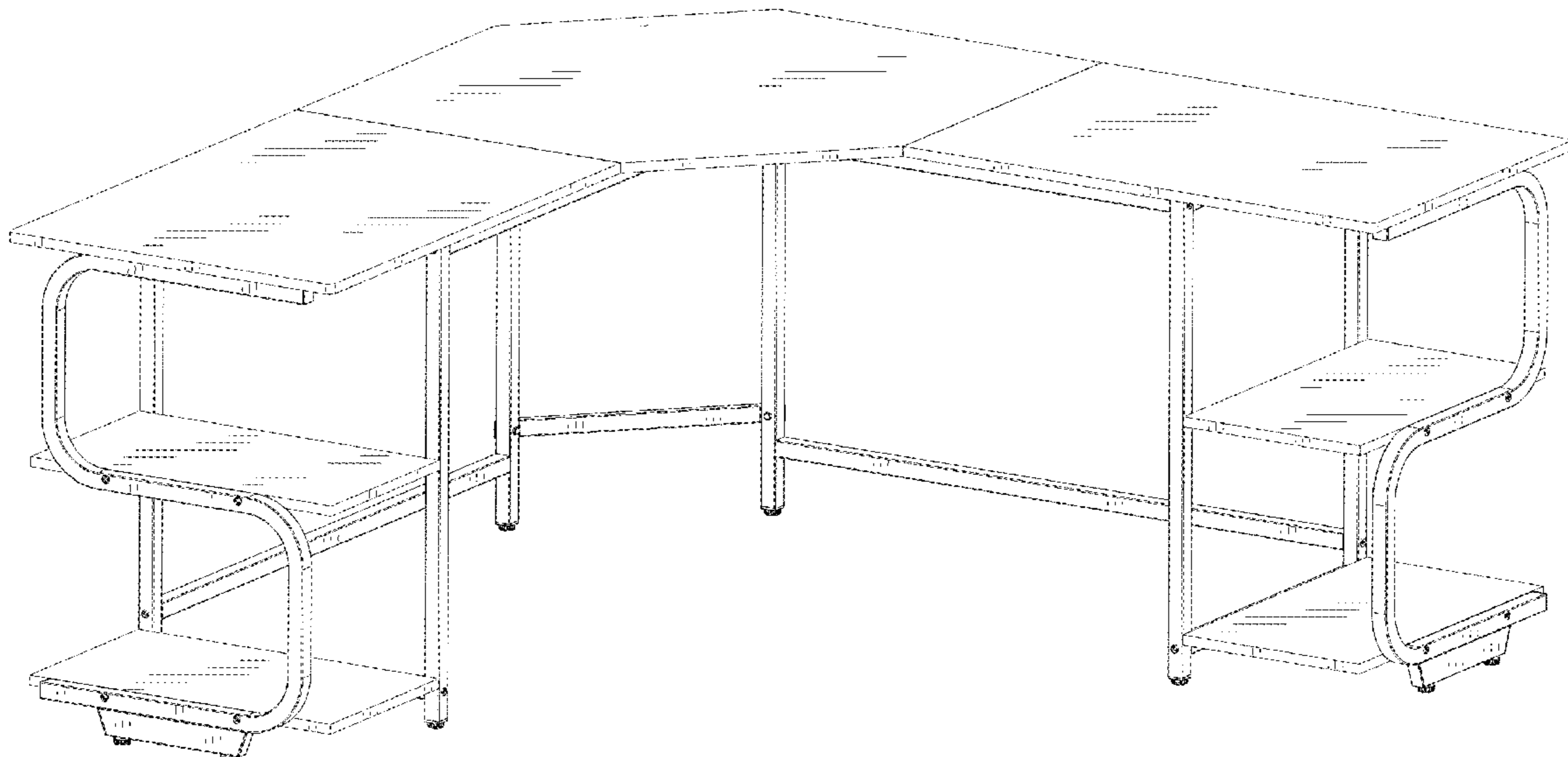
(57) **CLAIM**

The ornamental design for a desk, as shown and described.

DESCRIPTION

FIG. 1 is a perspective view of a desk showing my new design;
FIG. 2 is a front elevational view thereof;
FIG. 3 is a back elevational view thereof;
FIG. 4 is a right-side elevational view thereof;
FIG. 5 is a left-side elevational view thereof;
FIG. 6 is a top plan view thereof; and,
FIG. 7 is a bottom plan view thereof.
In the drawings, the broken lines show portions of the desk that form no part of the claimed design.

1 Claim, 7 Drawing Sheets



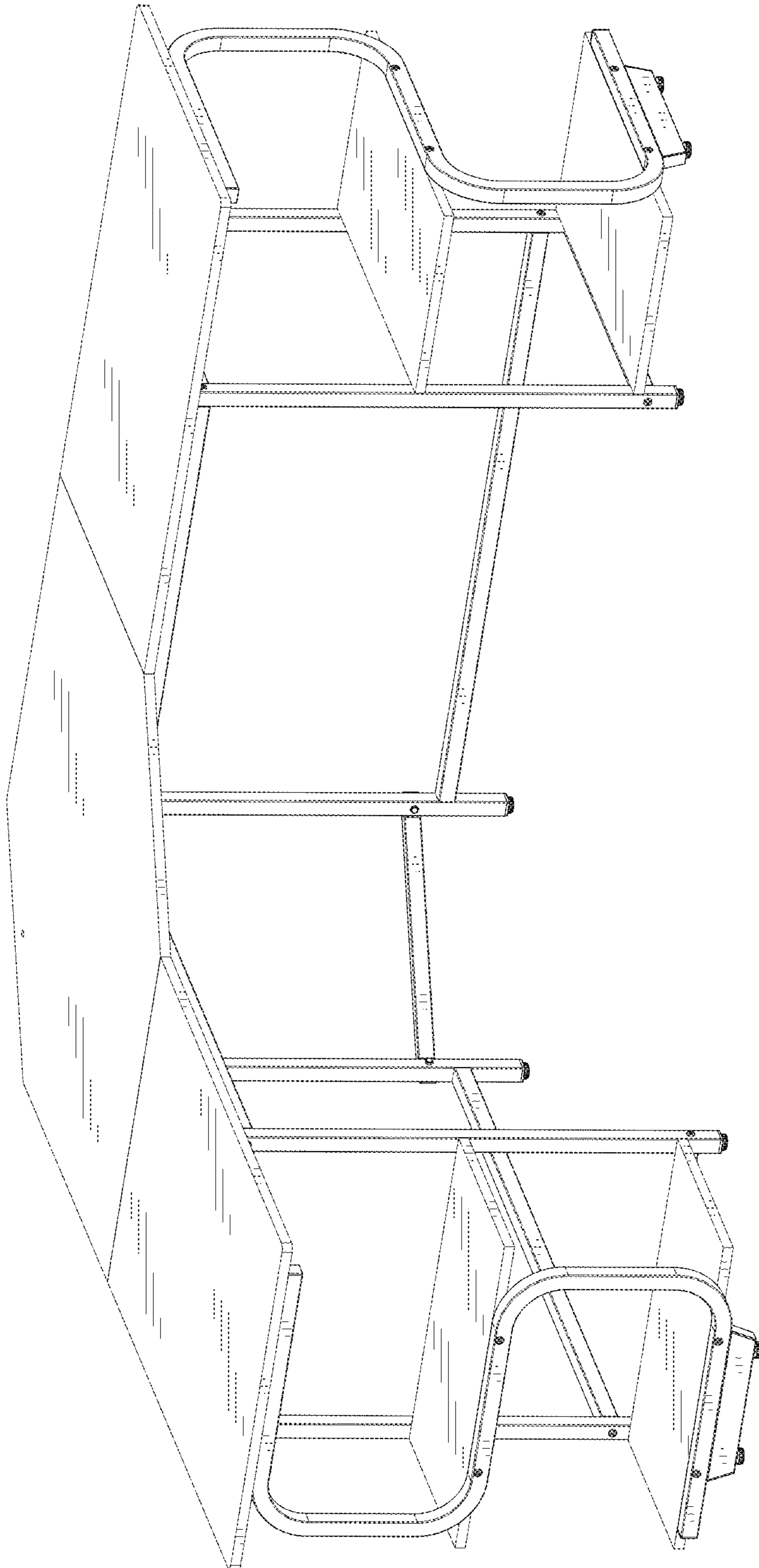


FIG. 1

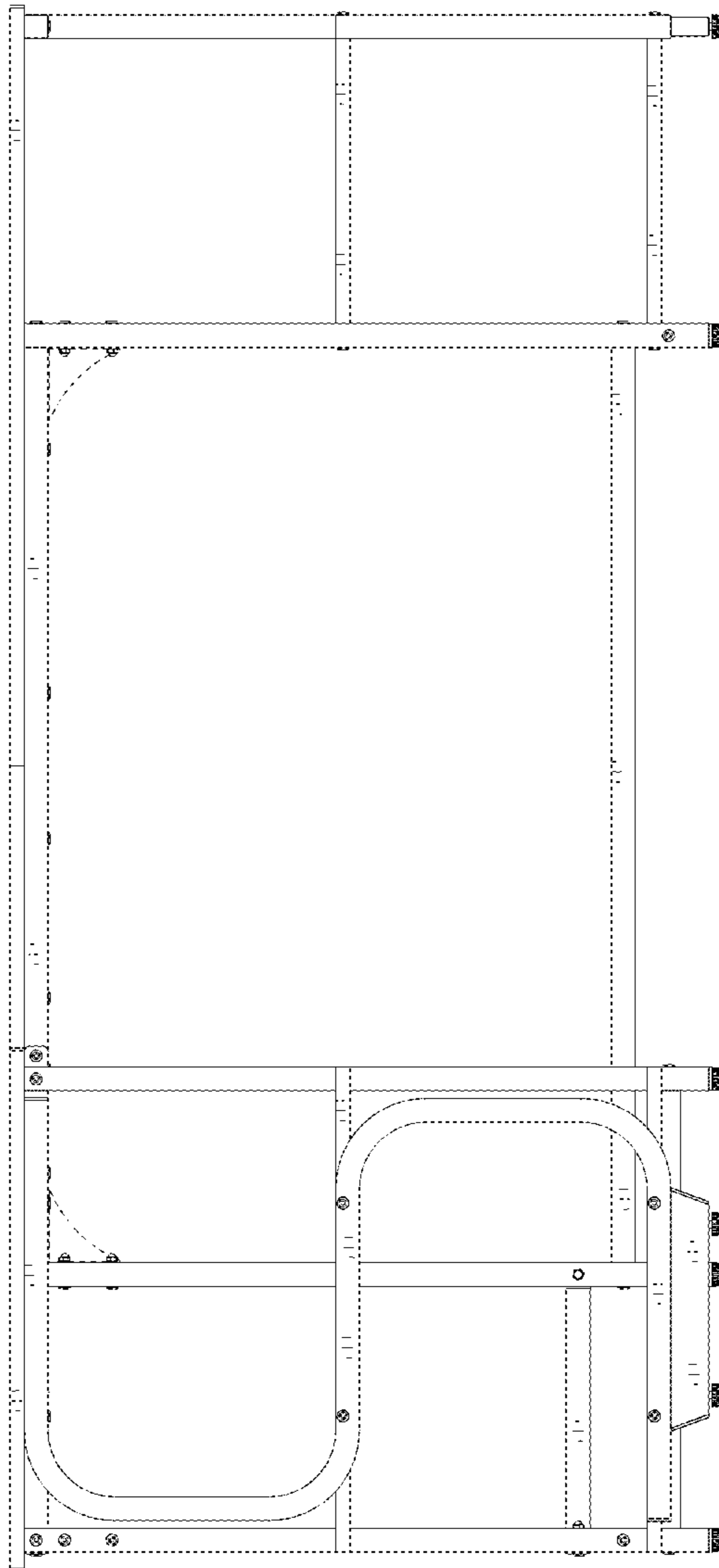


FIG. 2

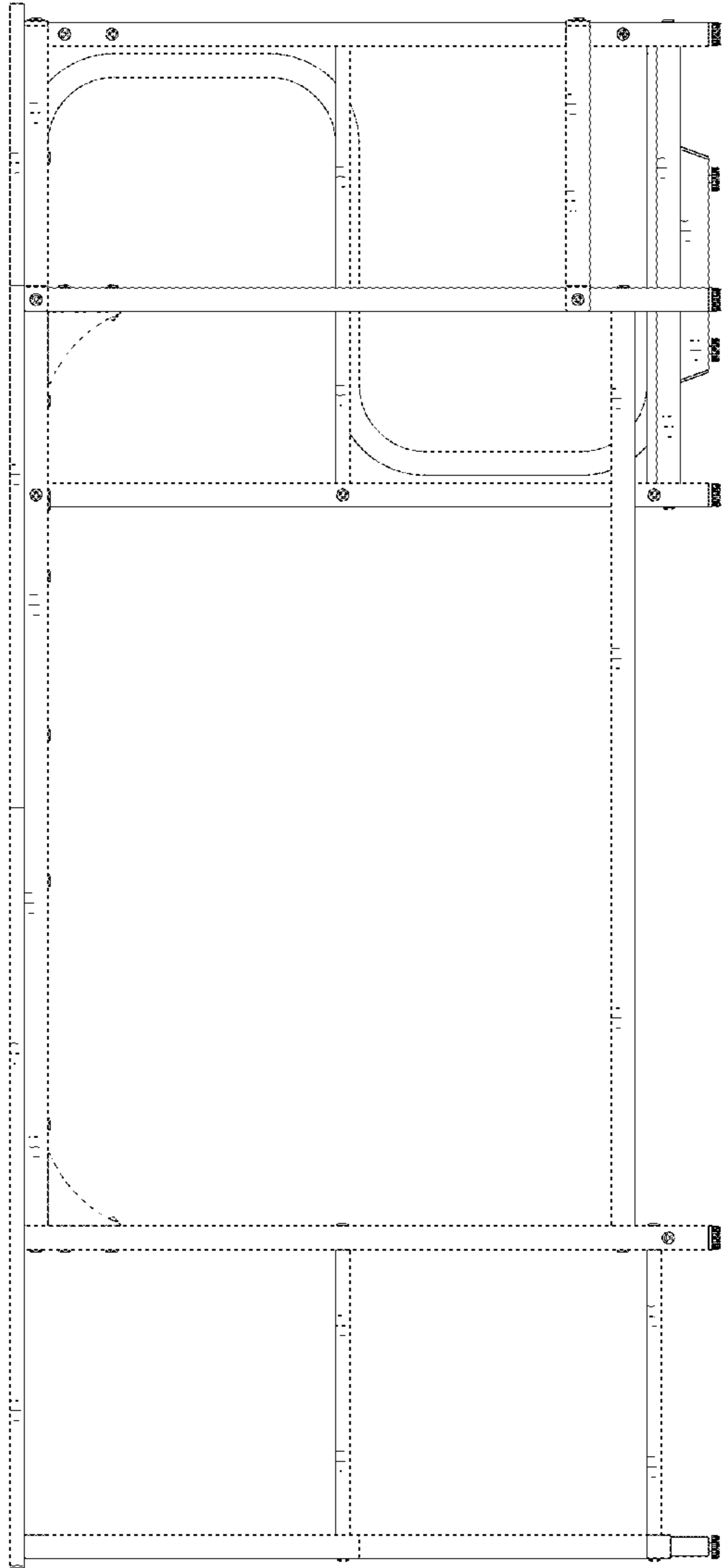


FIG. 3

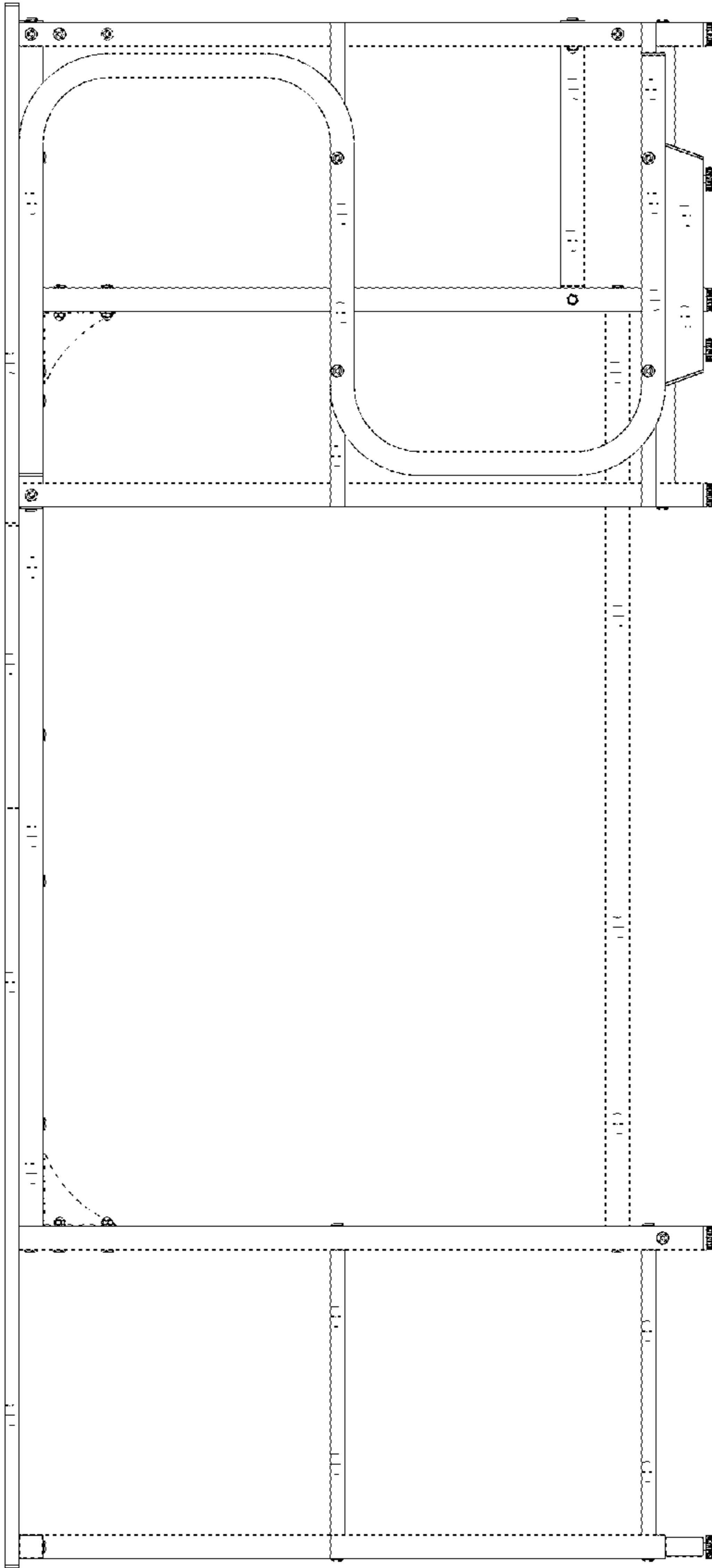


FIG. 4

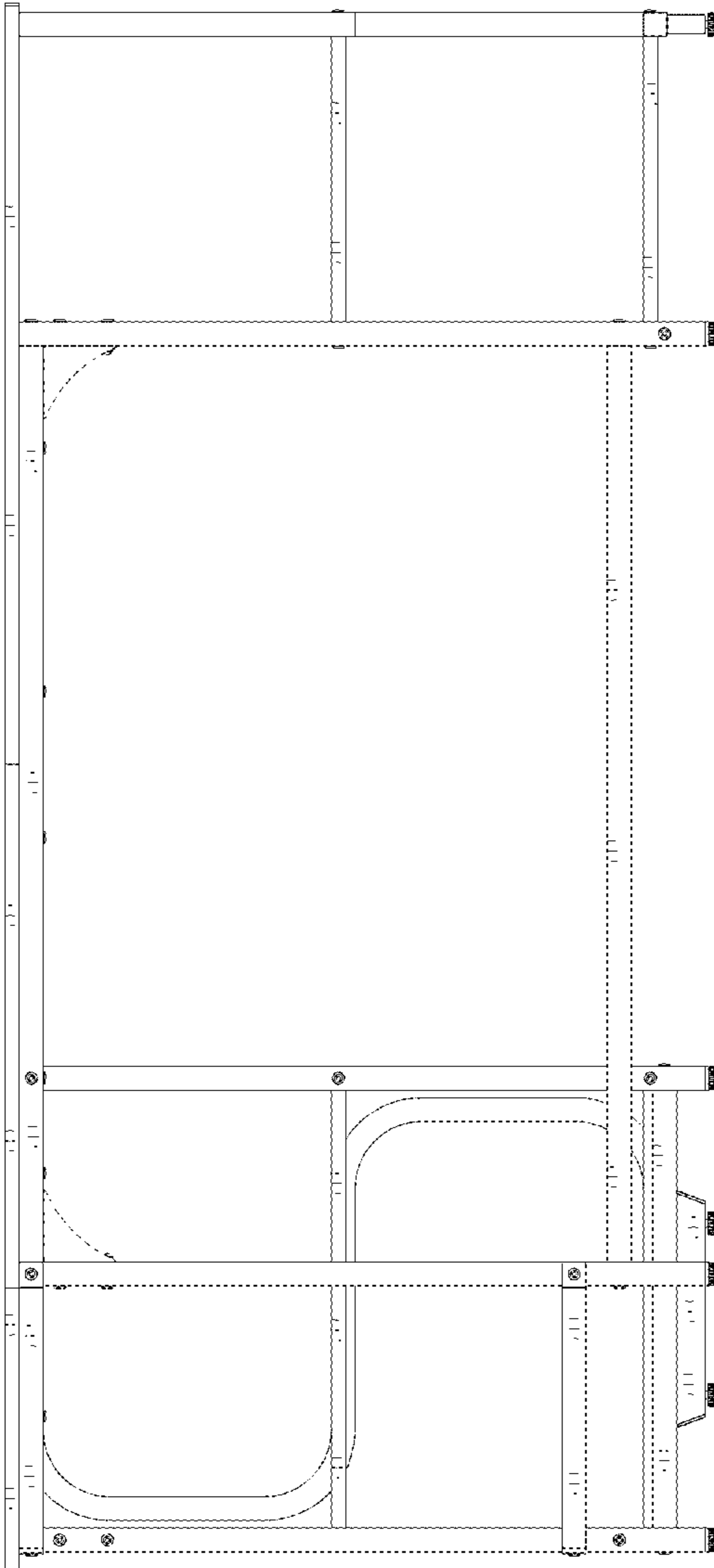


FIG. 5

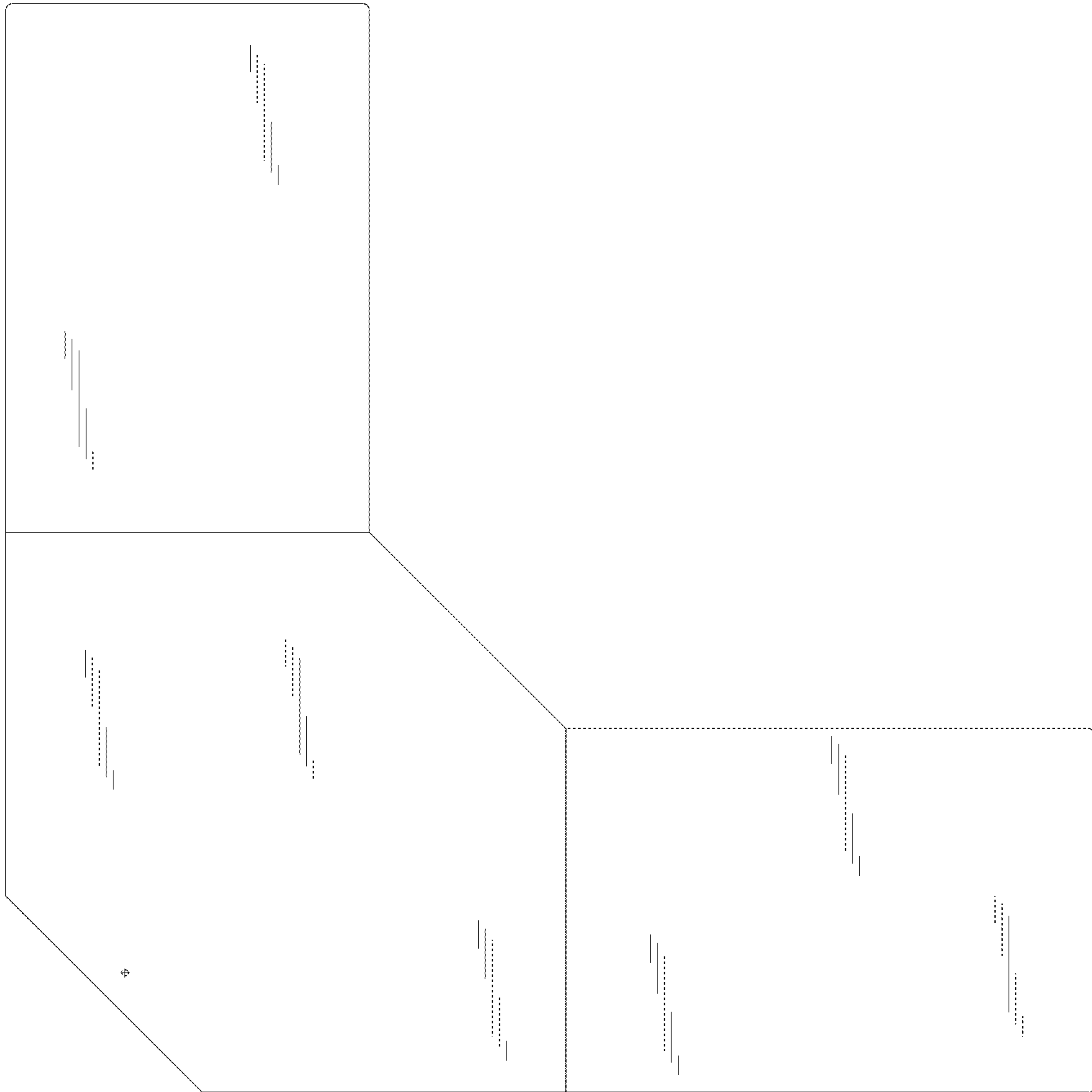


FIG. 6

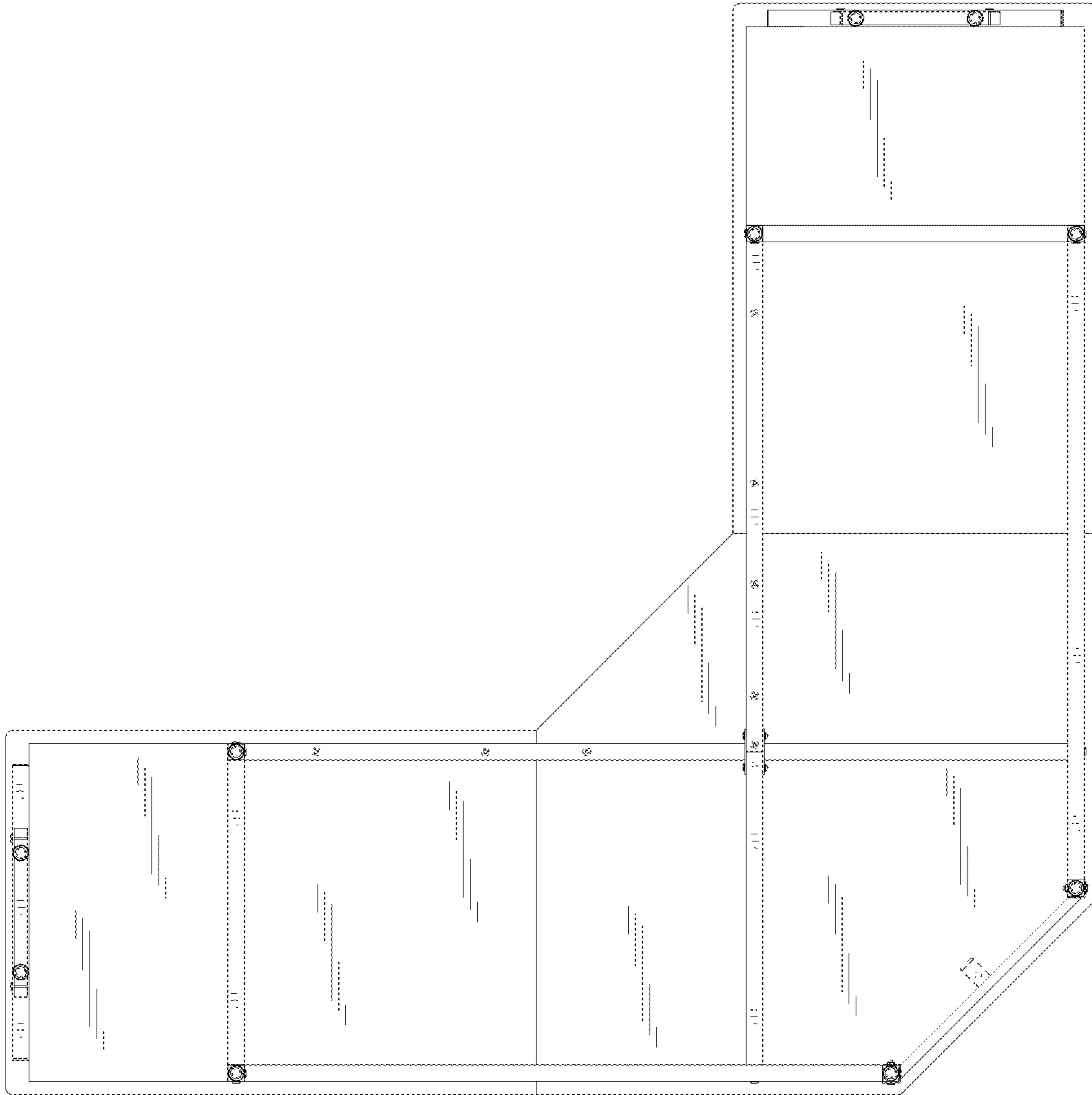


FIG. 7