



US00D954471S

(12) **United States Design Patent**
Leng

(10) **Patent No.:** **US D954,471 S**
(45) **Date of Patent:** **** Jun. 14, 2022**

(54) **SPRING MATTRESS**
(71) Applicant: **NEW-TEC INTEGRATION (XIAMEN) CO., LTD.**, Fujian (CN)
(72) Inventor: **Luhao Leng**, Fujian (CN)
(73) Assignee: **NEW-TEC INTEGRATION (XIAMEN) CO., LTD.**, Xiamen (CN)
(**) Term: **15 Years**

5,325,553 A * 7/1994 Ripley A47C 27/0456
5/721
6,175,997 B1 * 1/2001 Mossbeck A47C 27/064
156/301
6,493,887 B1 * 12/2002 DeFranks A47C 23/007
5/254
7,117,655 B2 * 10/2006 Wells A47C 27/0453
53/430
8,020,224 B2 * 9/2011 Turnbull A47C 23/007
5/254
9,211,017 B2 * 12/2015 Tyree A47C 21/046
10,631,657 B2 * 4/2020 DeFranks B68G 9/00

(21) Appl. No.: **29/763,710**

* cited by examiner

(22) Filed: **Dec. 23, 2020**

Primary Examiner — Jennifer L Rempfer

(30) **Foreign Application Priority Data**

(74) *Attorney, Agent, or Firm* — Perkins Coie LLP;
Kenneth H Ohriner

Jun. 23, 2020 (CN) 202030327986.X

(51) **LOC (13) Cl.** **06-09**

(52) **U.S. Cl.**
USPC **D6/605**

(58) **Field of Classification Search**

USPC D6/582–583, 587–592, 595–609,
D6/617–622; D21/803–809; D24/183

CPC A47G 9/00; A47G 2009/001; A47G
2009/002; A47G 2009/003; A47G
2009/005; A47G 2009/006; A47G 9/02;
A47G 9/0207; A47G 9/0215; A47G
9/0223; A47G 9/023; A47G 9/0238;
A47G 9/0246; A47G 9/0253; A47G
9/0261; A47G 9/06; A47G 9/062; A47G
9/066; A47G 9/068; A47G 9/08; A47G
2009/0276; A47G 9/0284; A47G 9/0292;
A47G 9/04; A47G 9/10

See application file for complete search history.

(56) **References Cited**

U.S. PATENT DOCUMENTS

1,837,847 A * 12/1931 Bowersox A47C 27/065
5/247
4,297,754 A * 11/1981 Zuniga A47C 21/026
5/411

(57) **CLAIM**

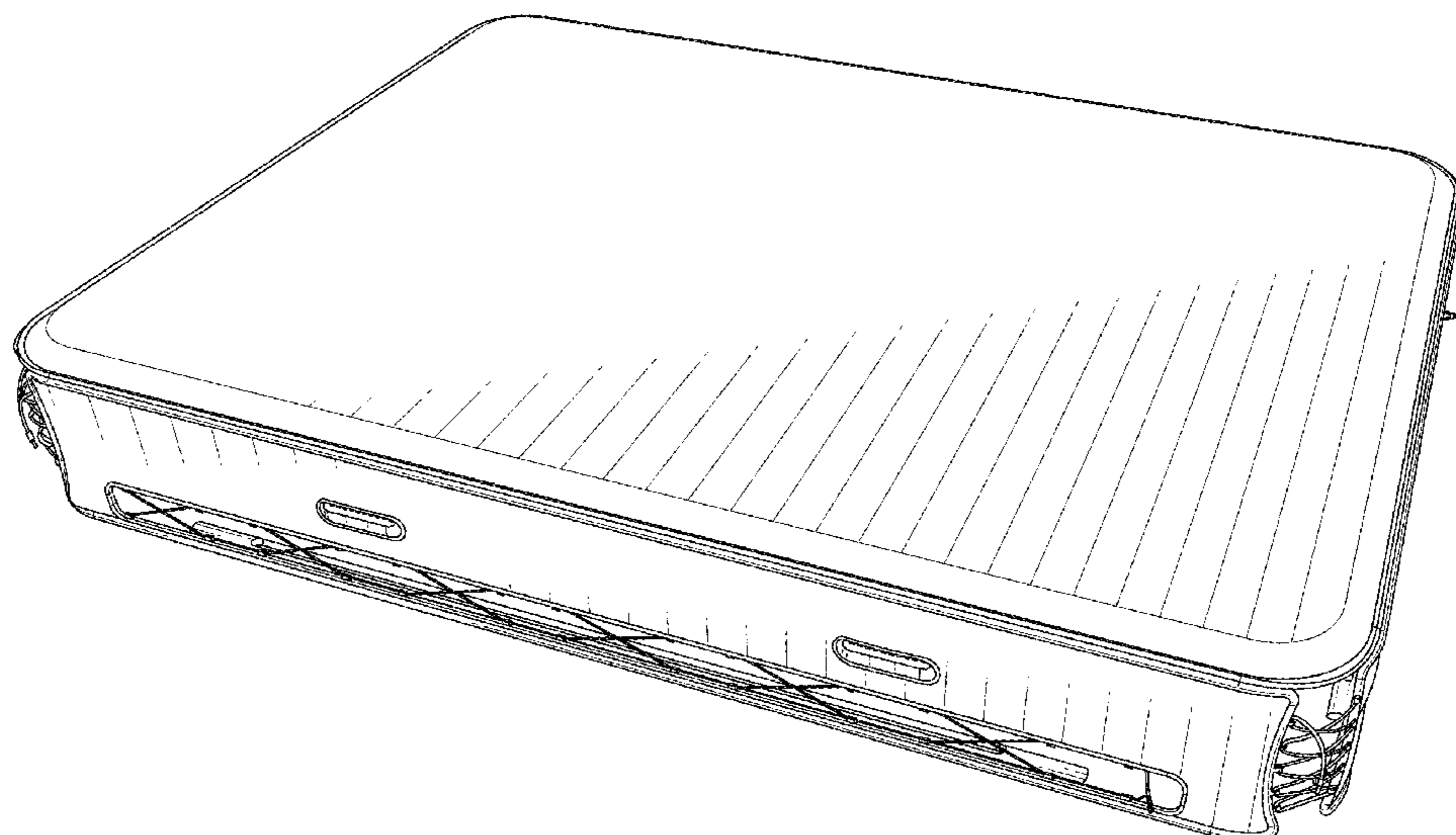
The ornamental design of a spring mattress, as shown and described.

DESCRIPTION

FIG. 1 is a perspective view of a spring mattress showing my new design;
FIG. 2 is a front view of the spring mattress shown in FIG. 1;
FIG. 3 is a rear view of the spring mattress shown in FIG. 1;
FIG. 4 is a left side view of the spring mattress shown in FIG. 1;
FIG. 5 is a right side view of the spring mattress shown in FIG. 1;
FIG. 6 is a top plan view of the spring mattress shown in FIG. 1; and,
FIG. 7 is a bottom plan view of the spring mattress shown in FIG. 1.

Broken lines indicate unclaimed subject matter forming no part of the claimed design.

1 Claim, 7 Drawing Sheets



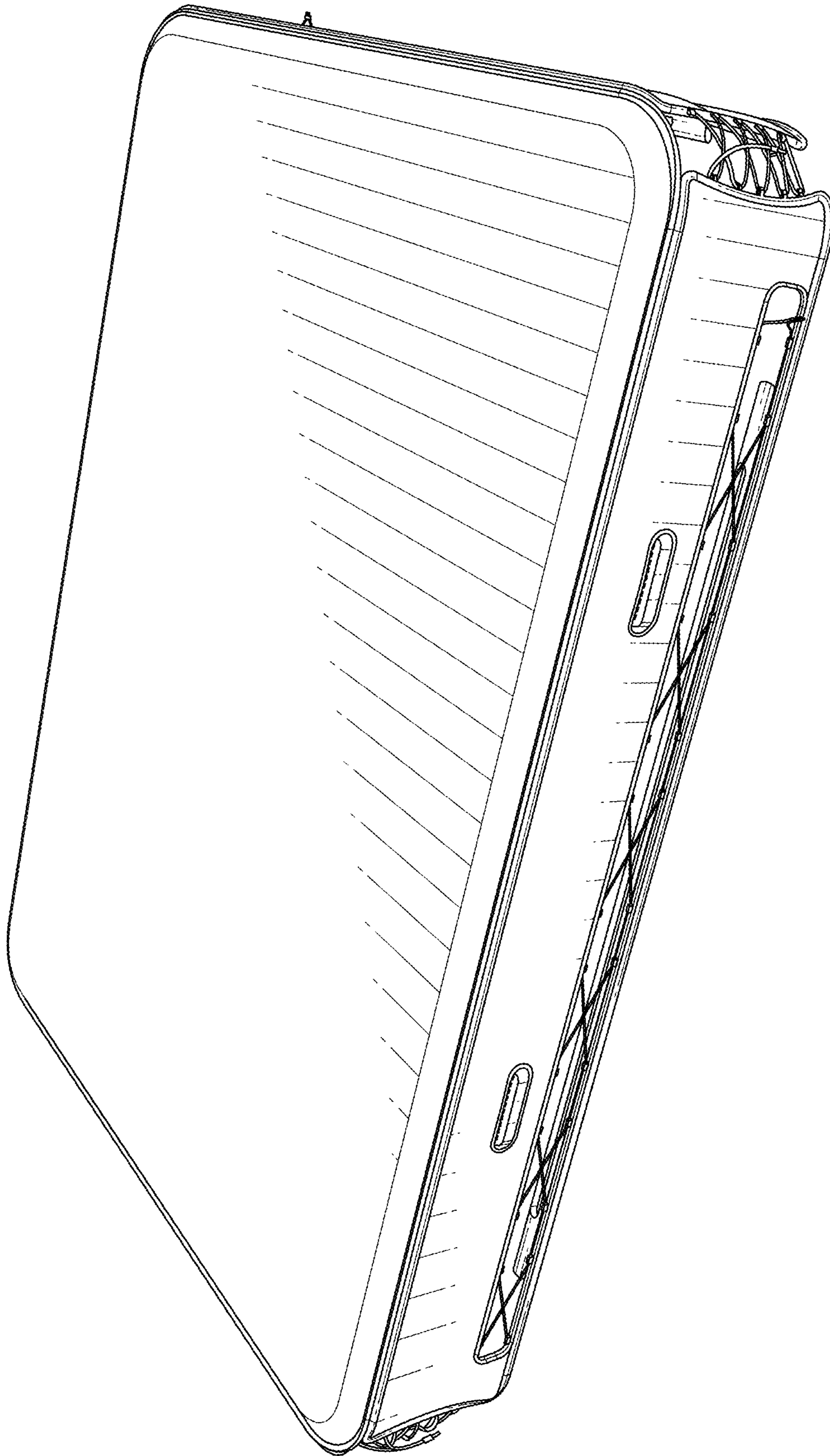


FIG. 1

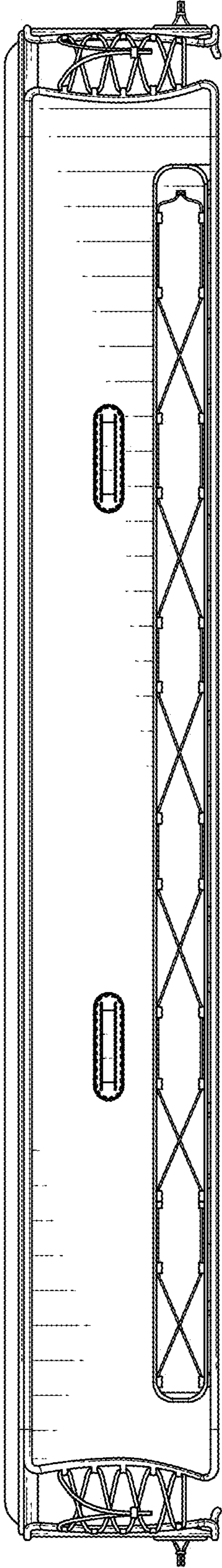


FIG. 2

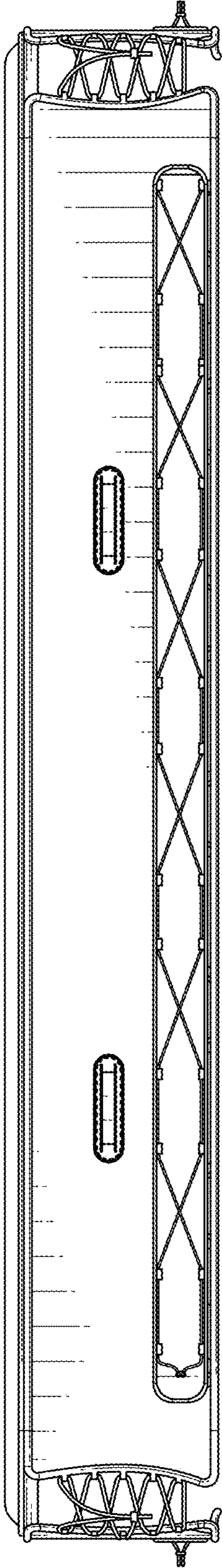


FIG. 3

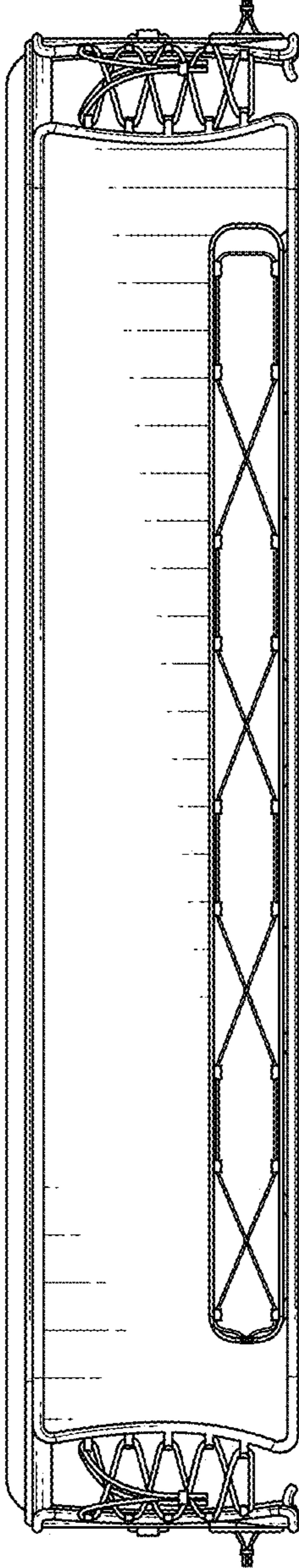


FIG. 4

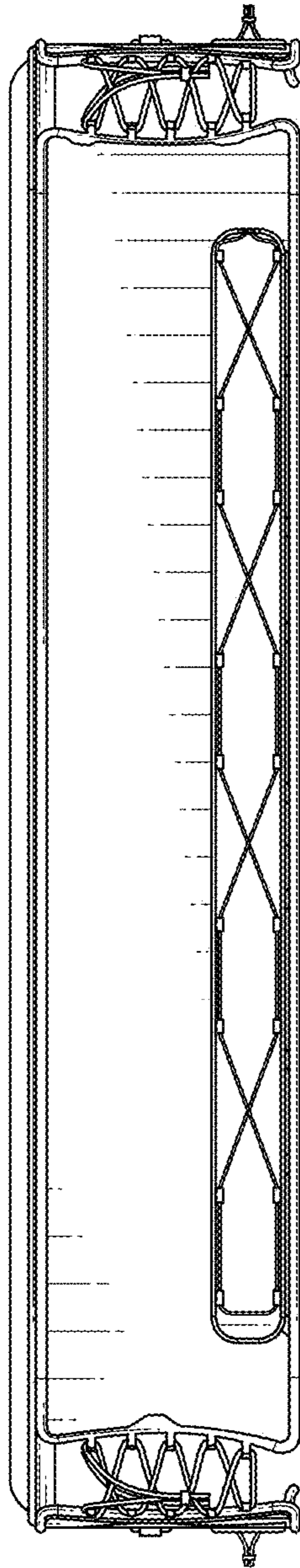


FIG. 5

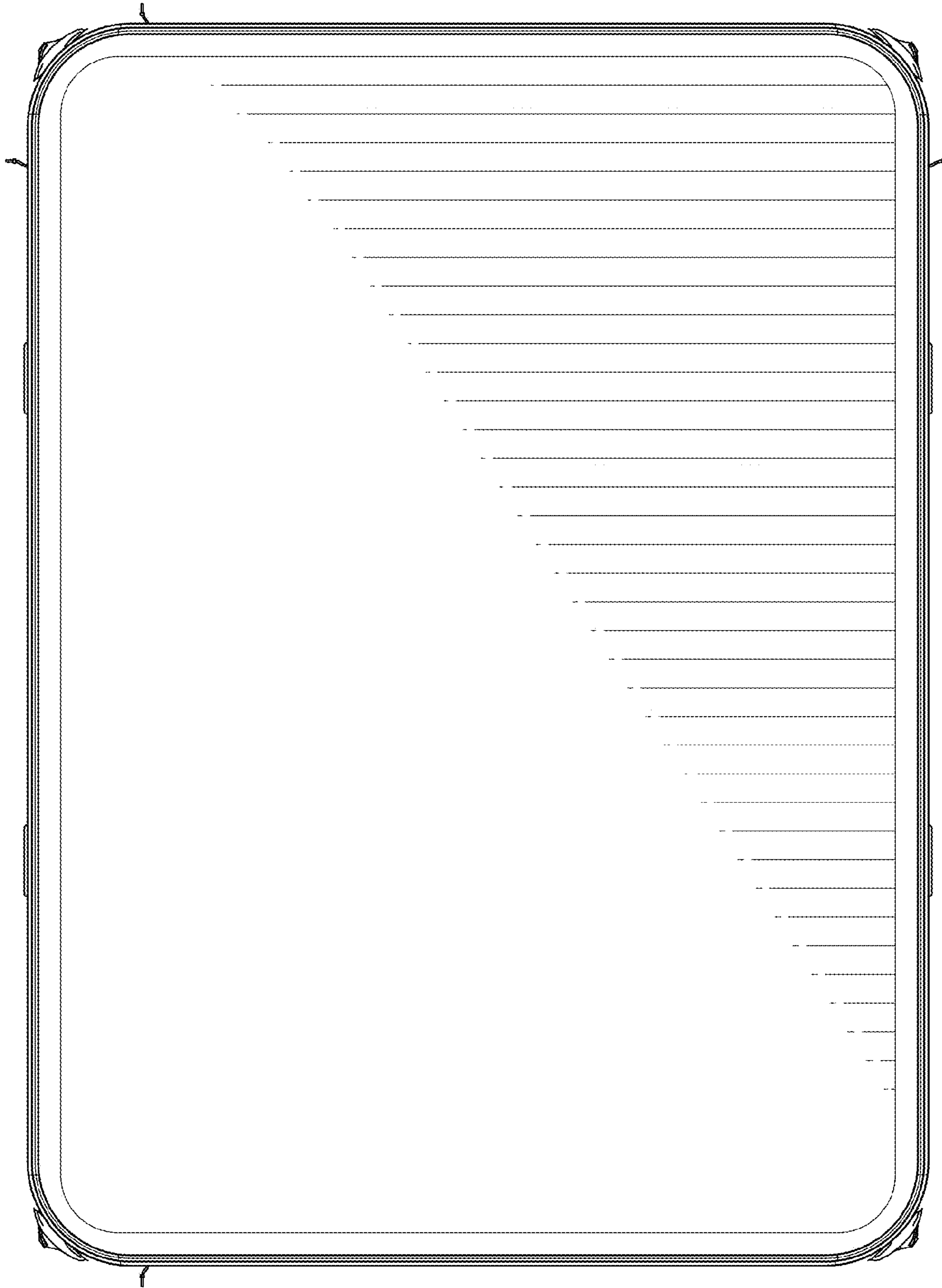


FIG. 6

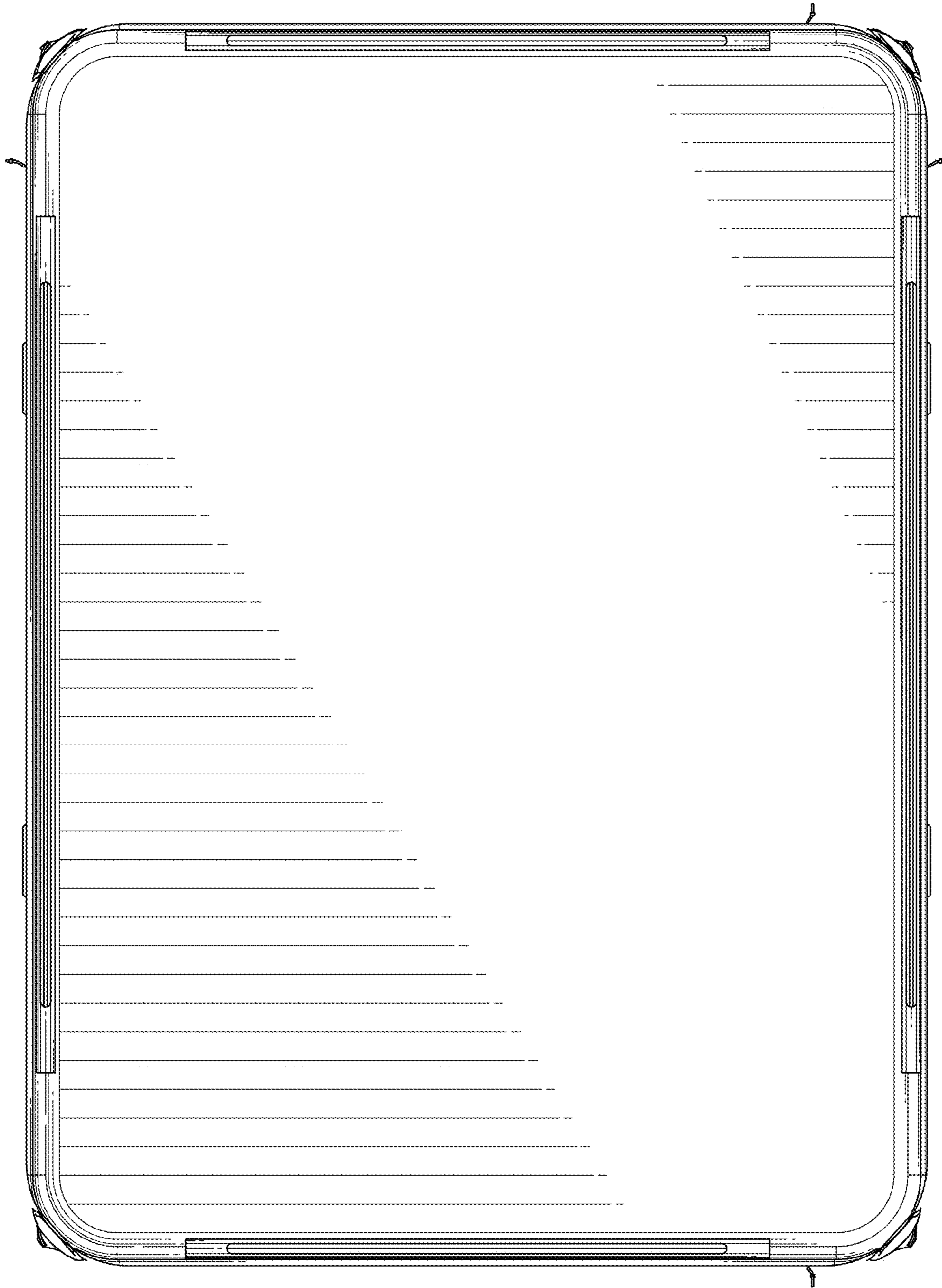


FIG. 7