



US00D954469S

(12) **United States Design Patent**
Fu

(10) **Patent No.:** **US D954,469 S**
(45) **Date of Patent:** **** Jun. 14, 2022**

(54) **FLOWER-SHAPED THROW PILLOW**

(71) Applicant: **Jinxiu Fu**, Qingdao (CN)

(72) Inventor: **Jinxiu Fu**, Qingdao (CN)

(**) Term: **15 Years**

(21) Appl. No.: **29/786,880**

(22) Filed: **Jun. 3, 2021**

(51) **LOC (13) Cl.** **06-13**

(52) **U.S. Cl.**
USPC **D6/600**

(58) **Field of Classification Search**
USPC D6/333, 349, 355, 375, 388, 512, 563,
D6/564, 595, 596, 601, 604, 611, 707,
D6/715, 716, 716.1; 297/401, 420, 600,
297/630, 631, 632, 633, 635, 636, 638,
297/639, 646, 652, 652.1, 655, 703, 730
CPC A47G 9/02; A47G 9/0207; A47G 9/0215;
A47G 9/0223; A47G 9/023; A47G
9/0238; A47G 9/0246; A47G 9/0253;
A47G 9/0261; A47G 9/06; A47G 9/062;
A47G 9/066; A47G 9/08; A47G 9/083;
A47G 9/086; A47G 9/04; A47G 9/0292;
A47G 9/00; A47G 9/10; A47G 9/1009;
A47G 9/1027; A47G 9/1045; A47G
9/1063; A47G 9/1072; A47G 9/1081;
A47G 2009/0276; A47G 2009/001; A47G
2009/002; A47G 2009/003; A47G
2009/005

See application file for complete search history.

(56) **References Cited**

U.S. PATENT DOCUMENTS

D35,600 S *	1/1902	Bentley	D6/600
D71,533 S *	11/1926	Sevier	D6/601
D366,176 S *	1/1996	Gish	D6/601
D643,589 S *	8/2011	Malcolm	D2/610
D689,171 S *	9/2013	Morelock	D32/57
D712,681 S *	9/2014	Del Russo, Jr.	D6/600
D817,662 S *	5/2018	Stepanov	D6/583

D856,709 S *	8/2019	Ng	D6/601
D856,710 S *	8/2019	Ng	D6/601
D859,889 S *	9/2019	Ng	D6/601
D859,890 S *	9/2019	Ng	D6/601
D881,608 S *	4/2020	Fu	D6/601
D898,418 S *	10/2020	Fu	D6/600
D899,811 S	10/2020	Fu	

OTHER PUBLICATIONS

Fenco 3D Flower Pillow. Found on the internet at walmart .com. Product reviewed Mar. 18, 2021. <https://www.walmart.com/ip/Fennco-Styles-Handmade-3D-Heart-Shaped-Petals-Flower-Decorative-Throw-Pillow-Cover-13-Inch-Round-Teal-Floral-Case-Couch-Home-D-cor-Bedroom-D-cor-Holi/576464464> (Year: 2021).*

* cited by examiner

Primary Examiner — Jennifer L Rempfer

(57) **CLAIM**

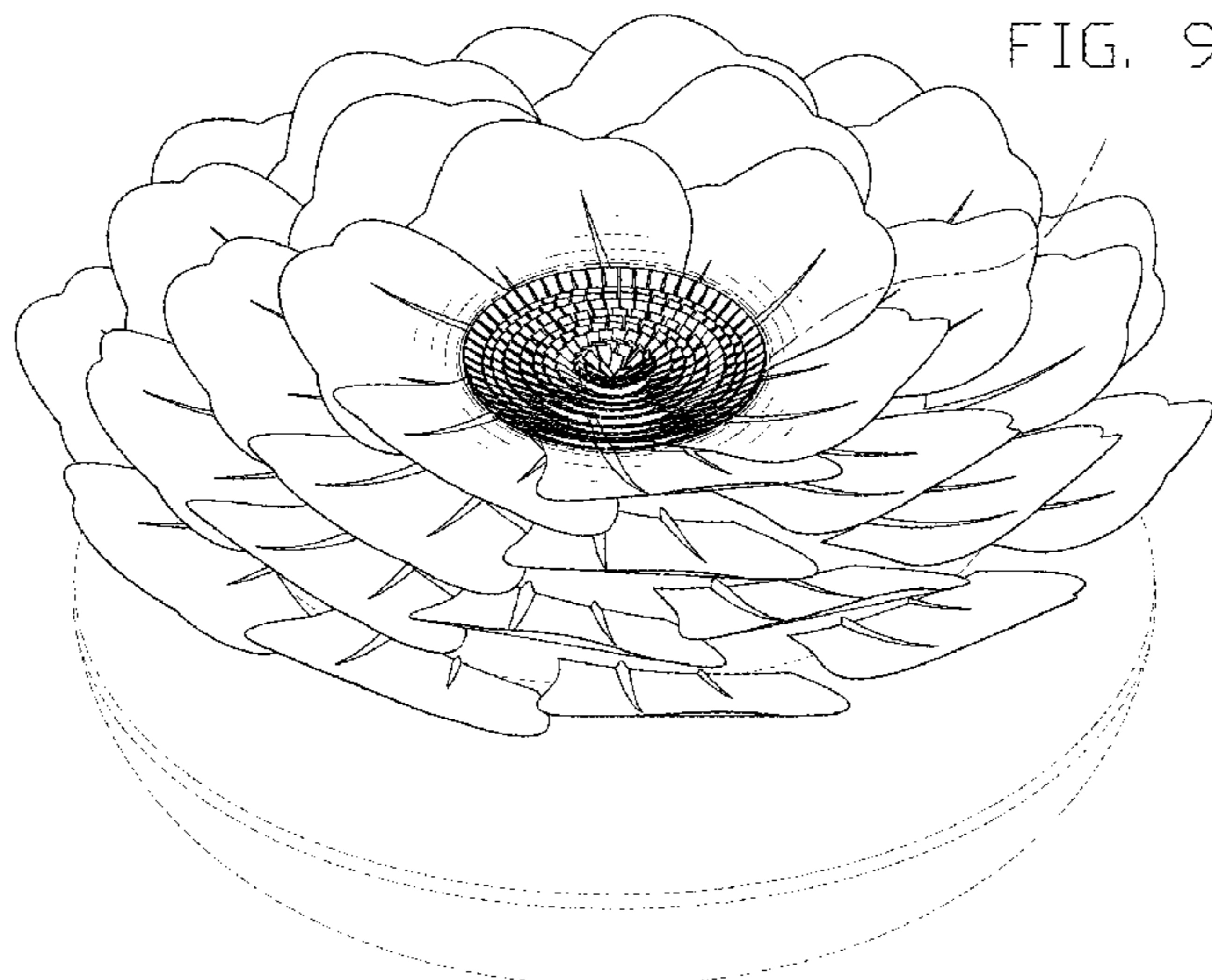
The ornamental design for a flower-shaped throw pillow, as shown and described.

DESCRIPTION

FIG. 1 is a front and top perspective view of a flower-shaped throw pillow, showing my new design;
FIG. 2 is a rear and bottom perspective view thereof;
FIG. 3 is a front elevation view thereof;
FIG. 4 is a rear elevation view thereof;
FIG. 5 is a left side elevation view thereof;
FIG. 6 is a right side elevation view thereof;
FIG. 7 is a top plan view thereof;
FIG. 8 is a bottom plan view thereof; and,
FIG. 9 is an enlarged view of a portion labeled, 'FIG. 9' in FIG. 1.

The broken lines in the figures illustrate portions of the flower-shaped throw pillow that form no part of the claimed design. The dash dot dash lines in FIGS. 1 and 9 are for the purpose of depicting the cut line of the enlarged view and form no part of the claim.

1 Claim, 9 Drawing Sheets



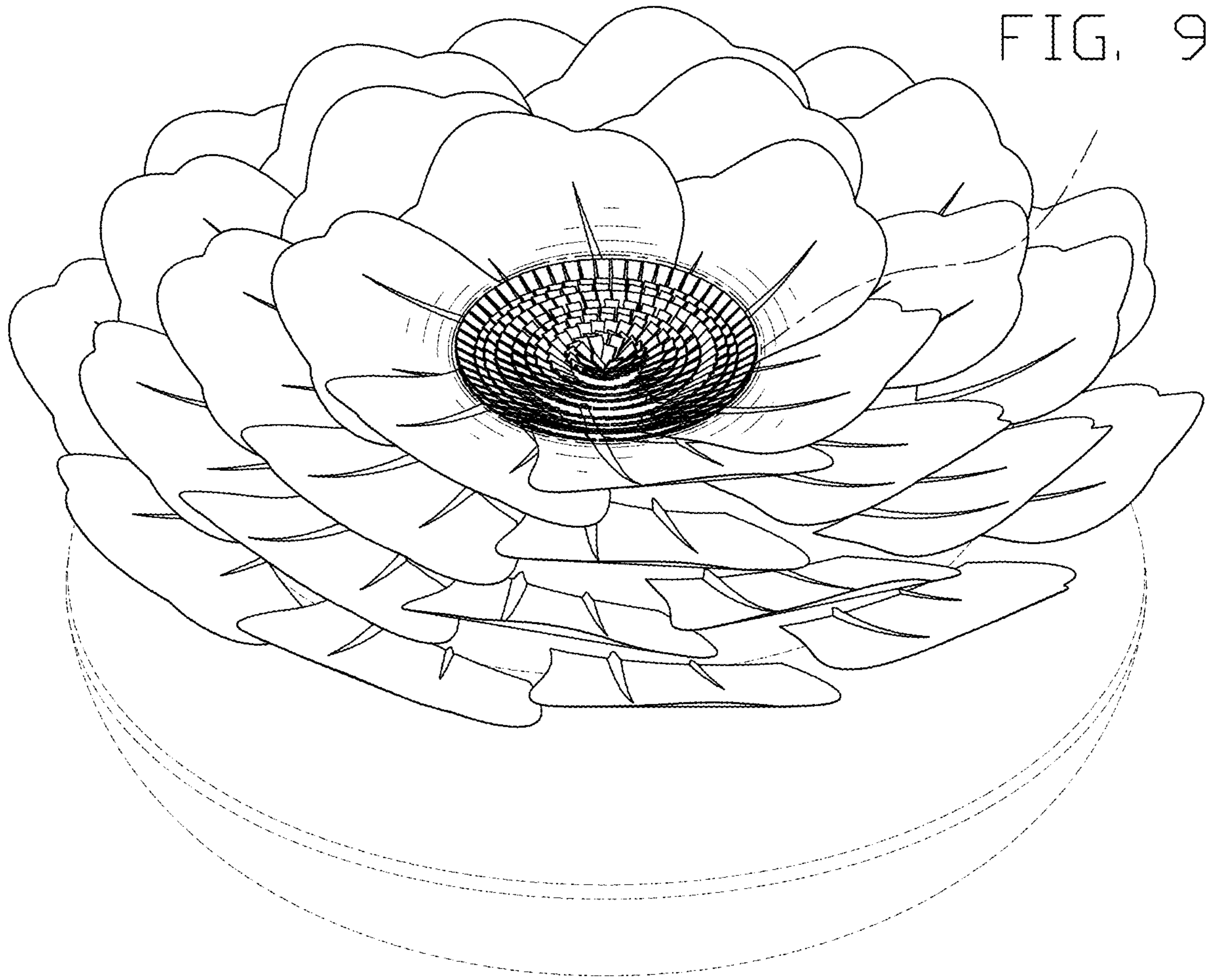


FIG. 9

FIG. 1

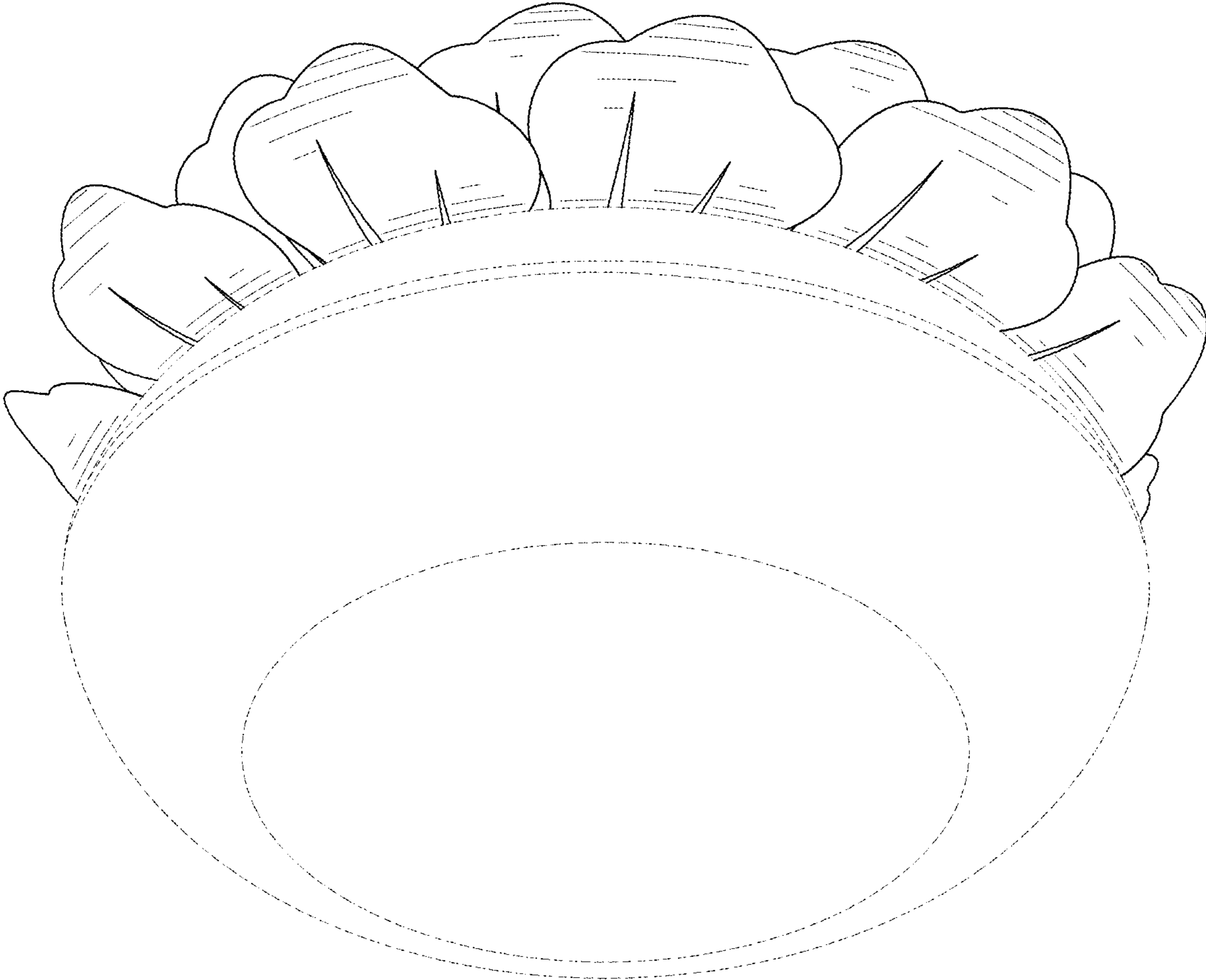


FIG. 2

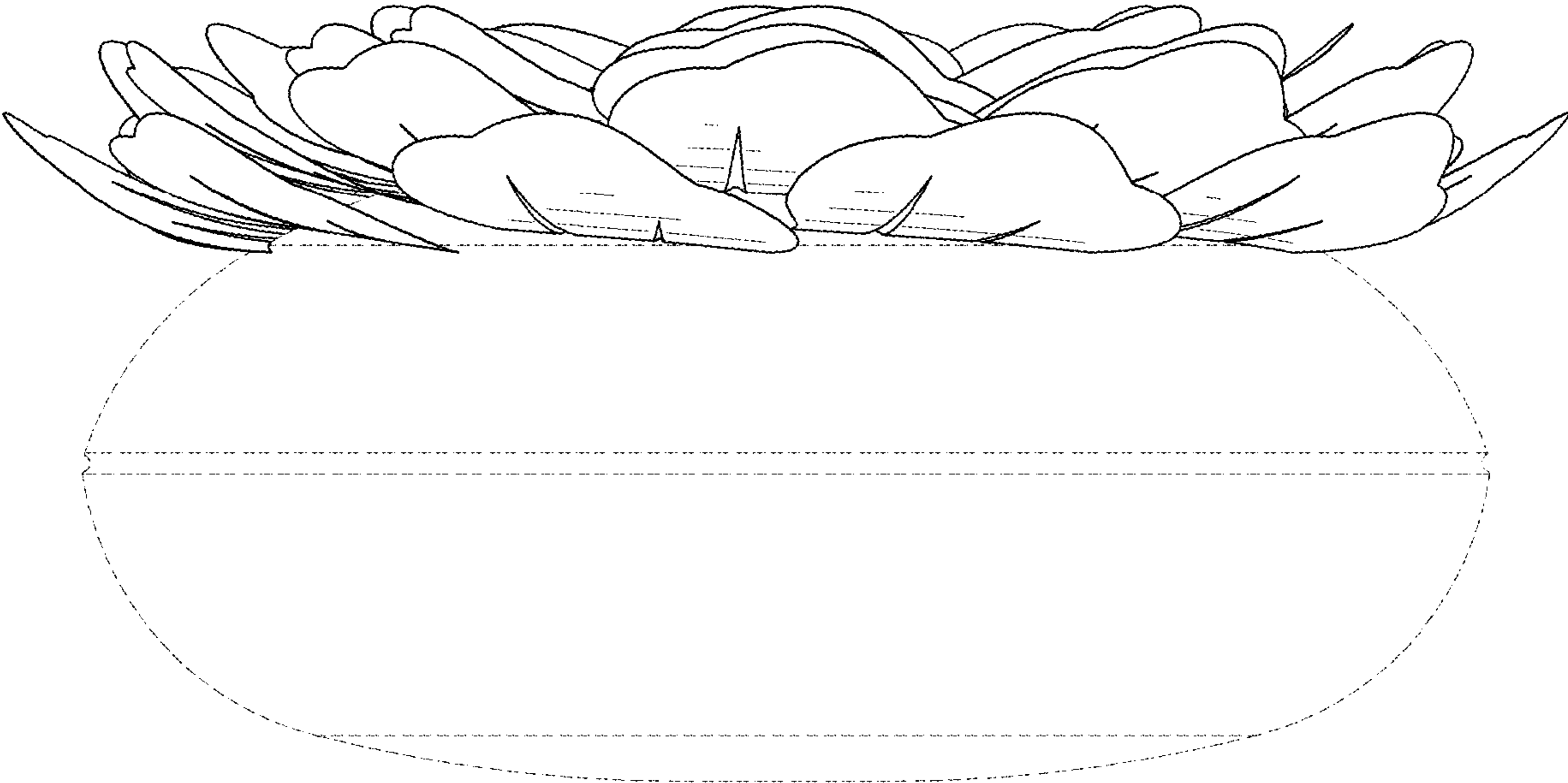


FIG. 3

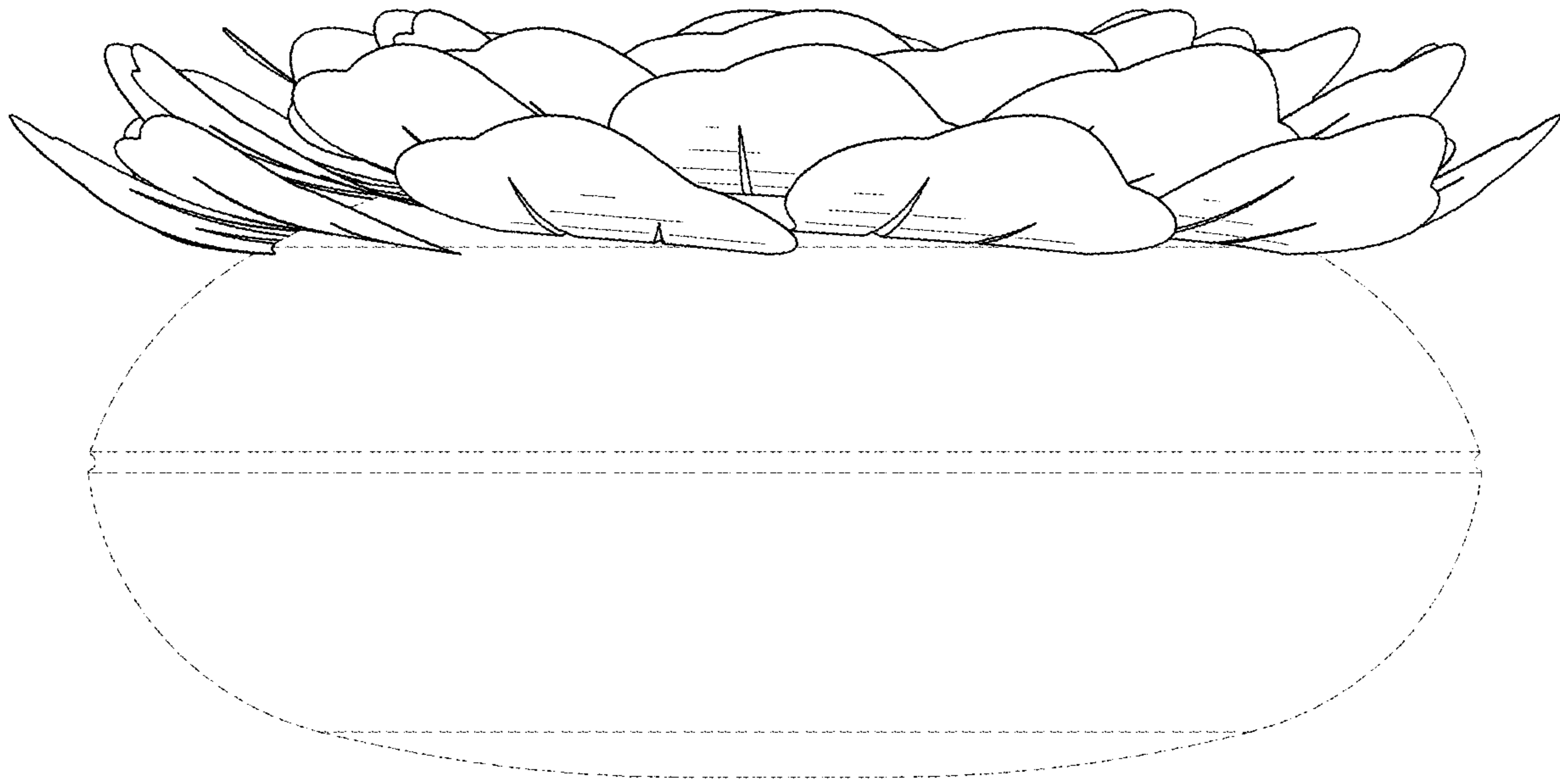


FIG. 4

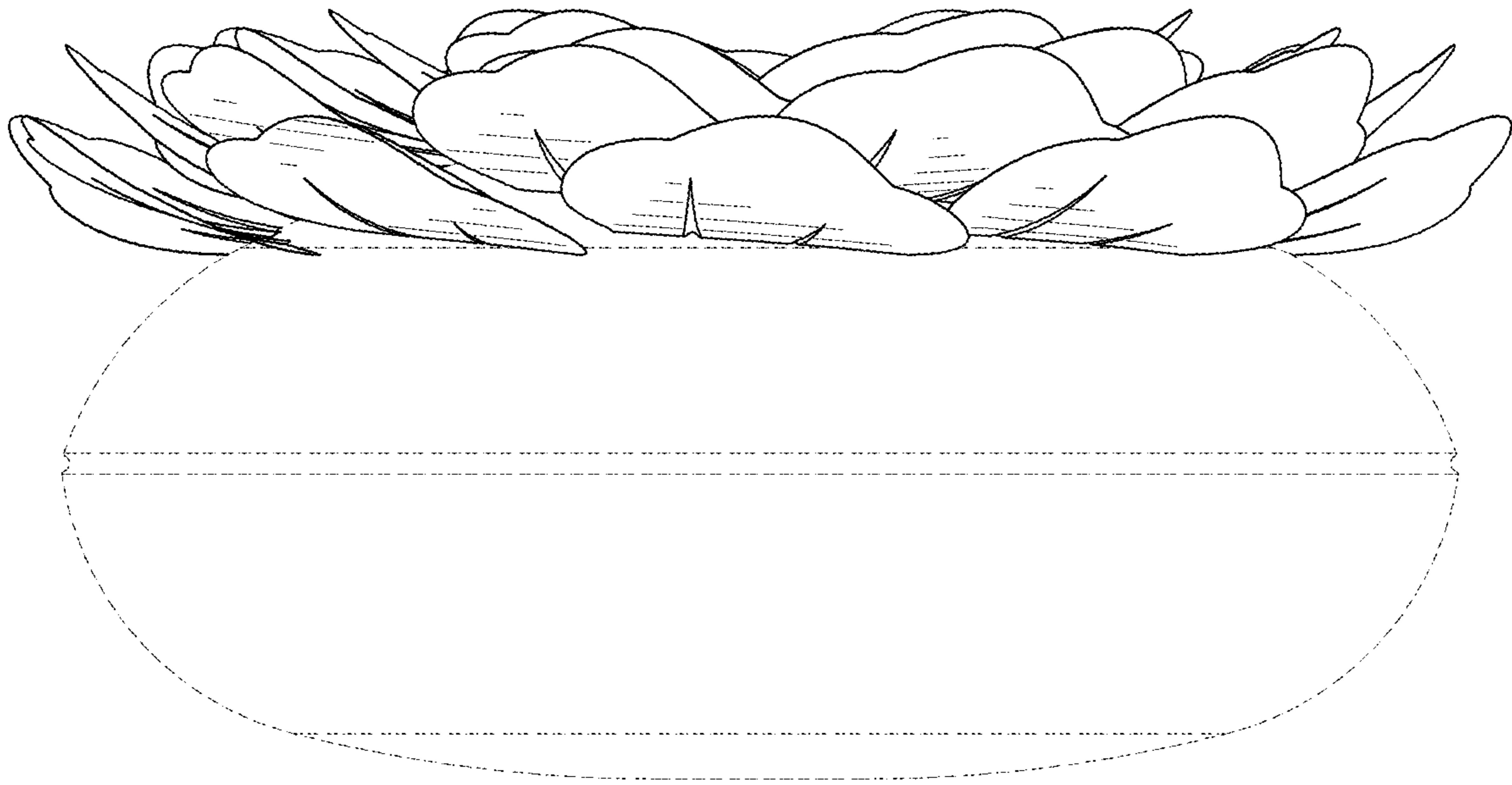


FIG. 5

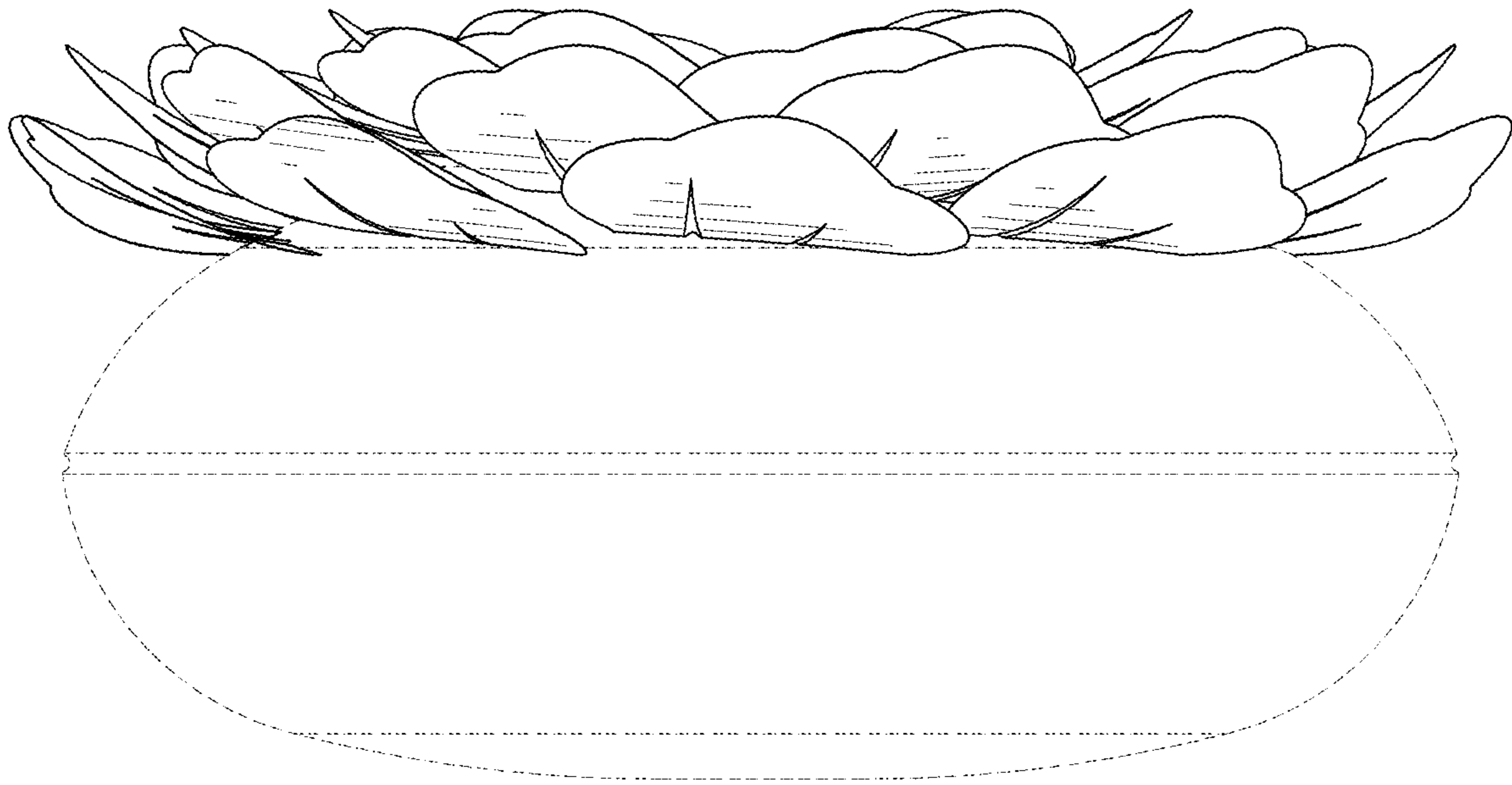


FIG. 6

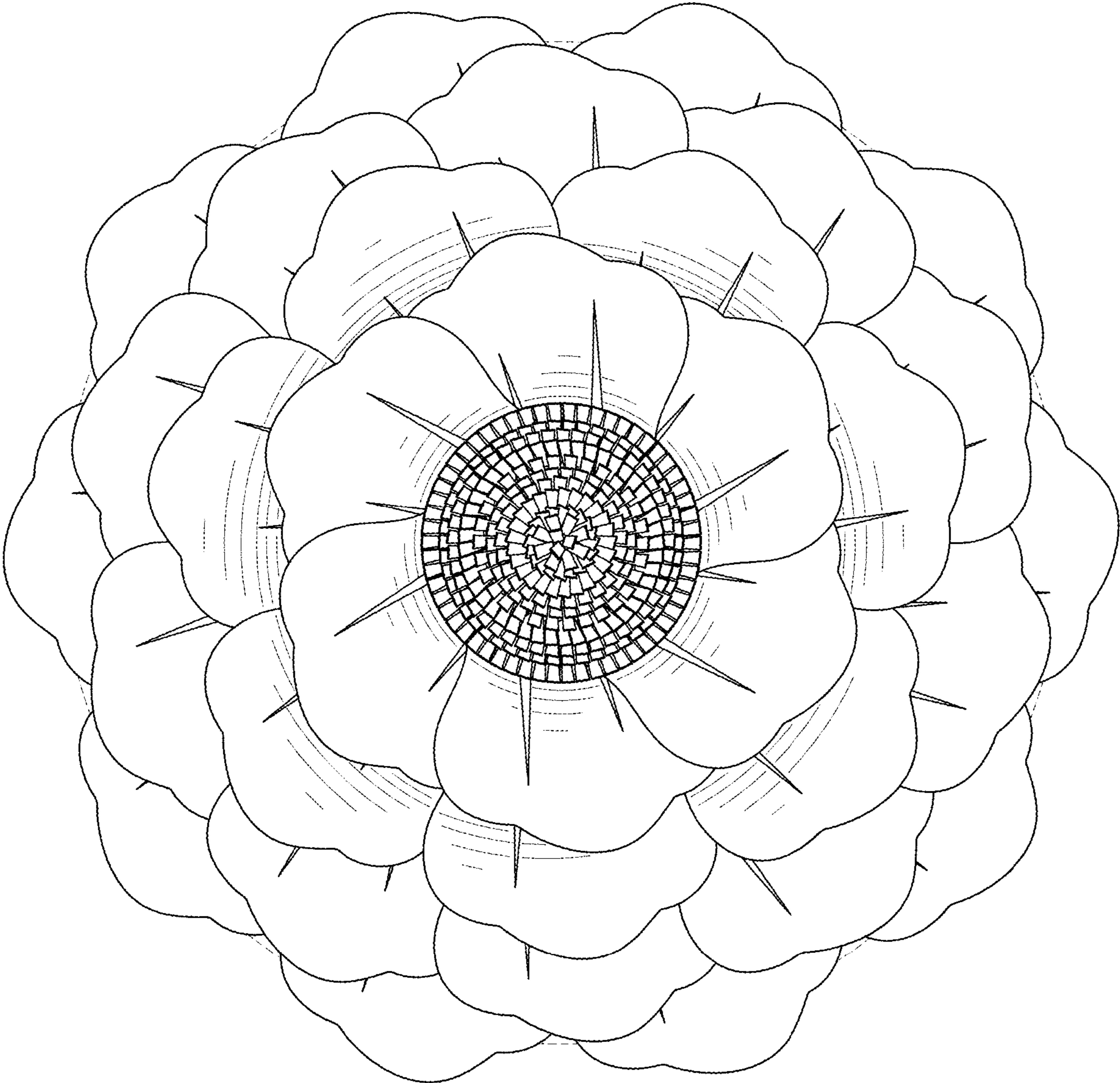


FIG. 7

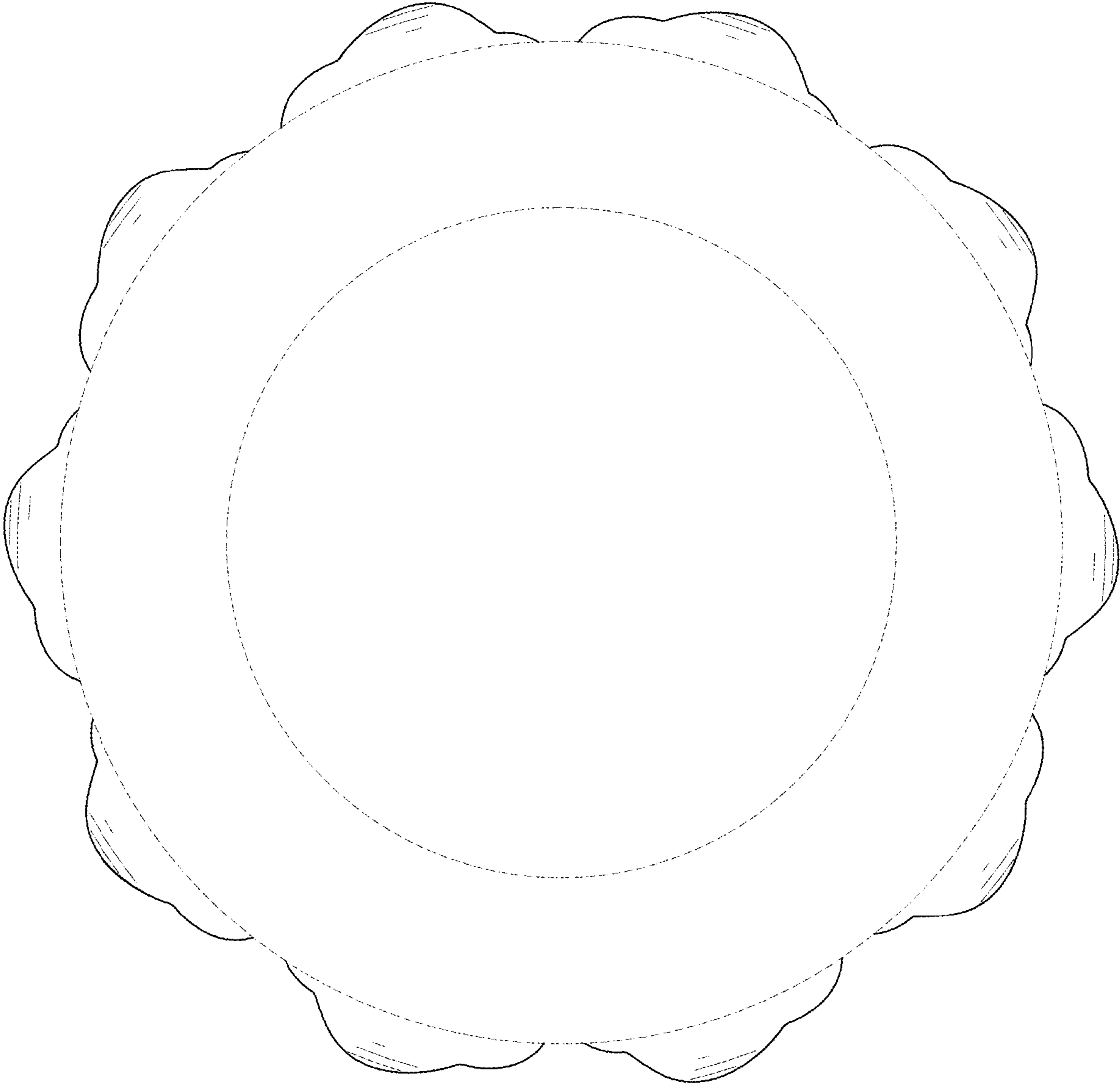


FIG. 8

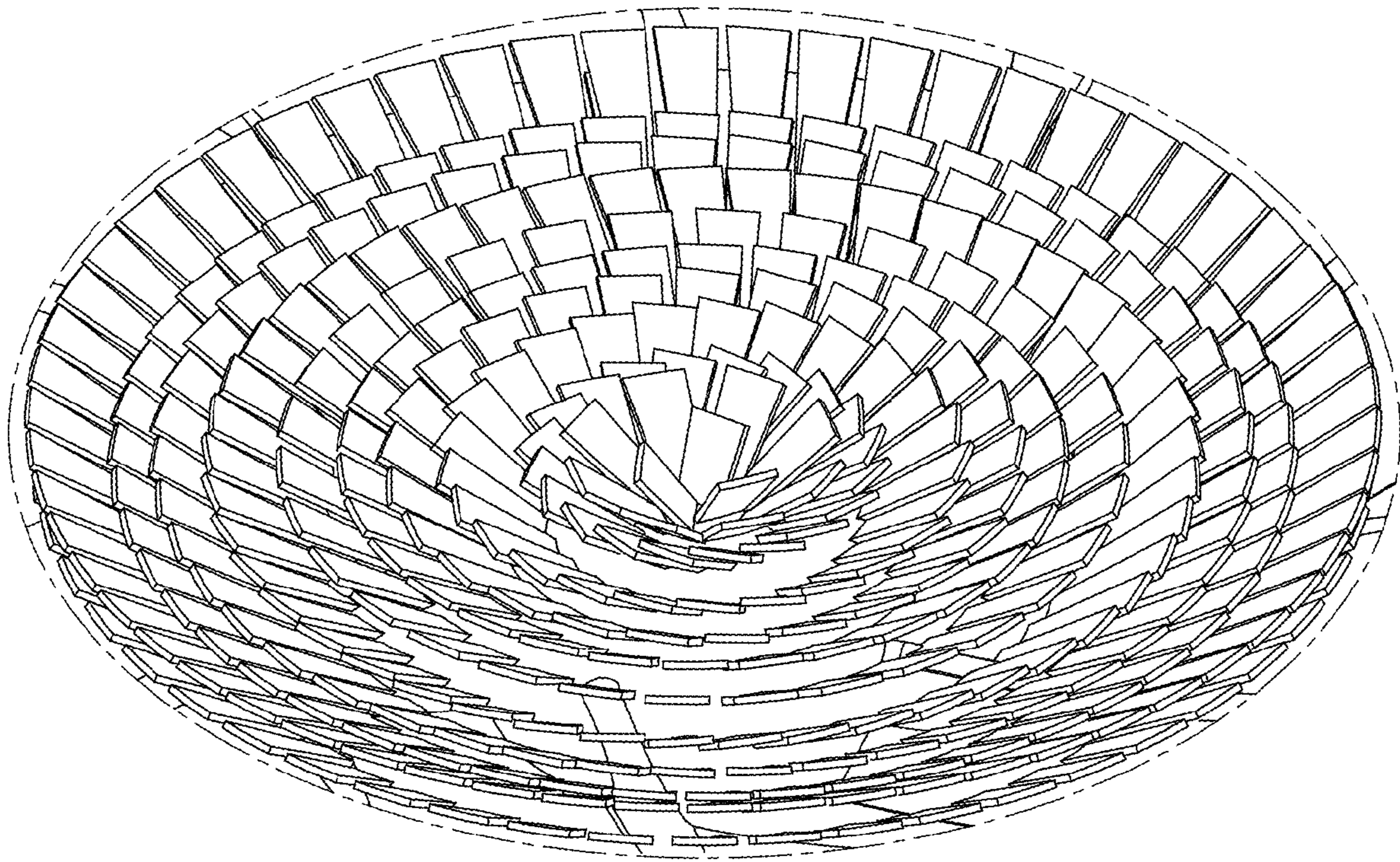


FIG. 9