



US00D954466S

(12) **United States Design Patent**  
**Tan**

(10) **Patent No.:** **US D954,466 S**  
(45) **Date of Patent:** **\*\* Jun. 14, 2022**

- (54) **CORNER SHELF**
- (71) Applicant: **Shenzhen Weimu Technology Co., Ltd., Guangdong (CN)**
- (72) Inventor: **Lang Tan, Guangdong (CN)**
- (73) Assignee: **Shenzhen Weimu Technology Co., Ltd., Shenzhen (CN)**
- (\*\*) Term: **15 Years**

5,513,575 A \* 5/1996 Slade ..... A47B 96/022  
211/90.04  
D382,751 S \* 8/1997 Andrus ..... D6/525  
D395,186 S \* 6/1998 Pollack ..... D6/562  
D399,380 S \* 10/1998 Kyle ..... D6/562  
D409,425 S \* 5/1999 Waluda ..... D6/562  
D409,868 S \* 5/1999 France ..... D6/562  
D421,867 S \* 3/2000 Carville ..... D6/525  
6,467,636 B1 \* 10/2002 Schaefer ..... A47B 96/022  
108/147.11  
D475,561 S \* 6/2003 Suero, Jr. .... D6/525  
D475,562 S \* 6/2003 Suero, Jr. .... D6/525

(Continued)

- (21) Appl. No.: **29/802,493**
- (22) Filed: **Aug. 5, 2021**
- (51) **LOC (13) Cl.** ..... **06-04**
- (52) **U.S. Cl.**  
USPC ..... **D6/562; D6/574**
- (58) **Field of Classification Search**  
USPC ..... D6/562, 512, 536, 540, 553, 555, 567,  
D6/574, 524, 525, 329; D7/500, 505,  
D7/555, 601, 701, 637  
CPC ..... A47B 96/022; A47B 96/024; A47B 96/06;  
A47B 96/061; A47B 96/066; F16M 13/02  
See application file for complete search history.

**FOREIGN PATENT DOCUMENTS**

CN 3099991 1/1999  
CN 303964800 S 12/2016

**OTHER PUBLICATIONS**

Amazon.com, SZQINJI Corner SHelf Wall Mount 4-Tier Rustic Wood Floating Shelves, Jul. 21, 2021, <https://www.amazon.com/SZQINJI-Floating-Shelves-Bedroom-Bathroom/dp/B099ZLL53N/> (Year: 2021).\*

*Primary Examiner* — Nathan M Johnston

(57) **CLAIM**

The ornamental design for a corner shelf, as shown and described.

**DESCRIPTION**

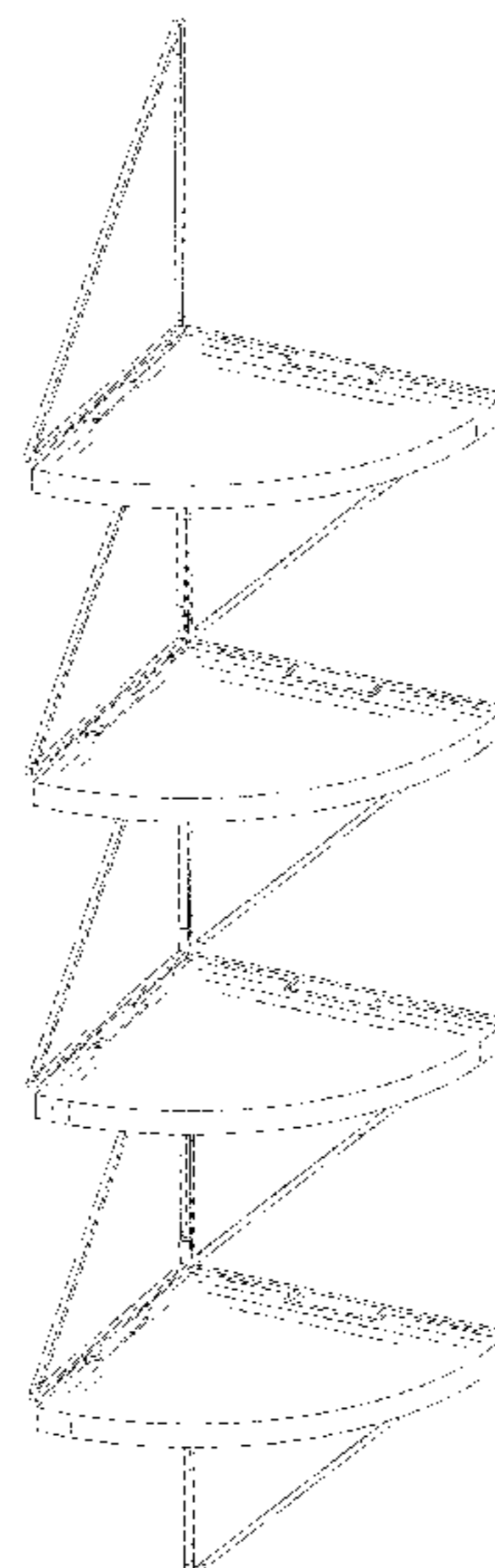
FIG. 1 is a perspective view of corner shelf showing my new design;  
FIG. 2 is another perspective view thereof;  
FIG. 3 is a front view thereof;  
FIG. 4 is a back view thereof;  
FIG. 5 is a left view thereof;  
FIG. 6 is a right view thereof;  
FIG. 7 is an enlarged top view thereof; and,  
FIG. 8 is an enlarged bottom view thereof.

**1 Claim, 8 Drawing Sheets**

(56) **References Cited**

**U.S. PATENT DOCUMENTS**

2,036,184 A \* 4/1936 Armstrong ..... A47B 81/002  
312/351  
2,522,442 A \* 9/1950 Garris ..... A47B 81/002  
211/186  
2,657,811 A \* 11/1953 Isler ..... A47B 5/02  
312/238  
D307,222 S \* 4/1990 Korpijaako ..... D6/540  
D313,720 S \* 1/1991 Sorenson ..... D6/562  
D316,196 S \* 4/1991 Kee ..... D6/676.2  
D316,345 S \* 4/1991 Mo Yau Kee ..... D6/676.2  
D327,795 S \* 7/1992 Kee ..... D6/676.2  
D328,994 S \* 9/1992 Jurgens ..... D6/563  
D351,751 S \* 10/1994 Brightbill ..... D6/525  
D364,767 S \* 12/1995 McLinden ..... D6/525



(56)

**References Cited**

## U.S. PATENT DOCUMENTS

6,591,762 B1 \* 7/2003 Haghayegh ..... A47B 96/022  
108/42  
D513,142 S \* 12/2005 Suero, Jr. .... D6/525  
D543,748 S \* 6/2007 Harwanko ..... D6/525  
D653,068 S \* 1/2012 Klein ..... D6/562  
D699,974 S \* 2/2014 Snider ..... D6/525  
D701,714 S \* 4/2014 Gelman ..... D6/562  
8,998,008 B1 \* 4/2015 Robertson ..... A47B 96/063  
108/42  
D878,117 S \* 3/2020 Gelman ..... D6/676.1  
D885,093 S \* 5/2020 Gelman ..... D6/676.1  
D907,414 S \* 1/2021 Li ..... D6/676.1  
D920,018 S \* 5/2021 Cai ..... D6/676.1  
D922,110 S \* 6/2021 Chen ..... D6/676.1  
D931,664 S \* 9/2021 Gong ..... D6/676.1  
2002/0017499 A1 \* 2/2002 Bengoechea ..... A47B 96/022  
211/90.01  
2008/0224004 A1 \* 9/2008 Gallien ..... A47B 96/066  
248/220.1  
2010/0237032 A1 \* 9/2010 Whitehall ..... A47B 57/26  
52/111  
2013/0313212 A1 \* 11/2013 Lindo ..... A47K 3/281  
211/119.011  
2018/0206641 A1 \* 7/2018 Stefenack ..... A47B 96/066

\* cited by examiner

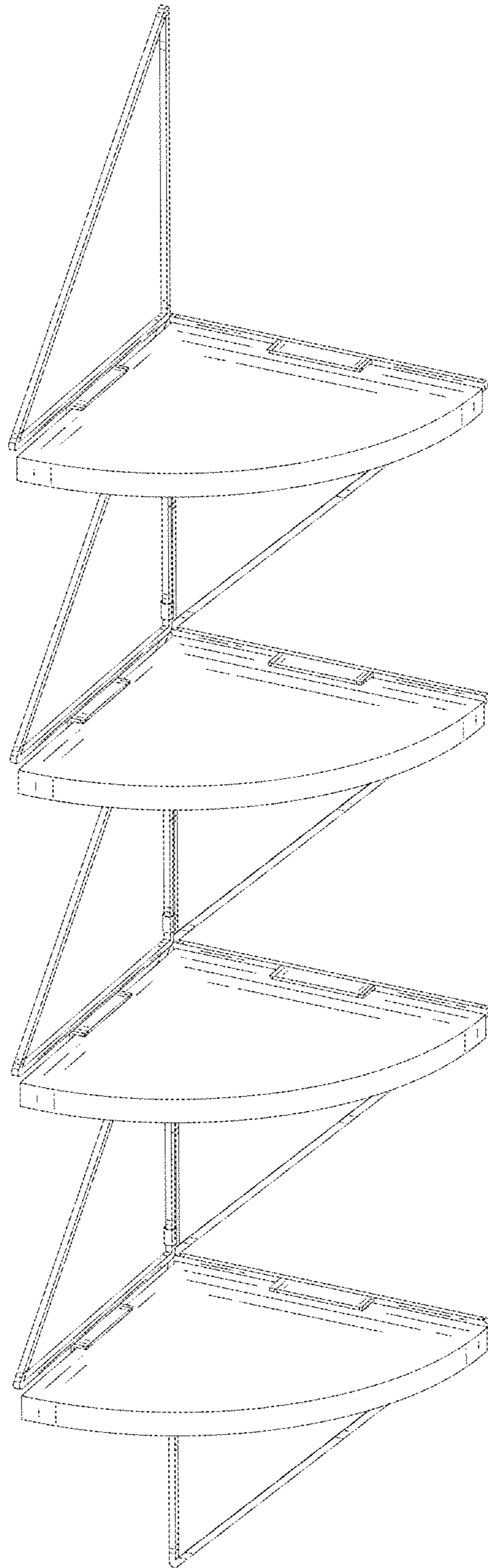


FIG. 1

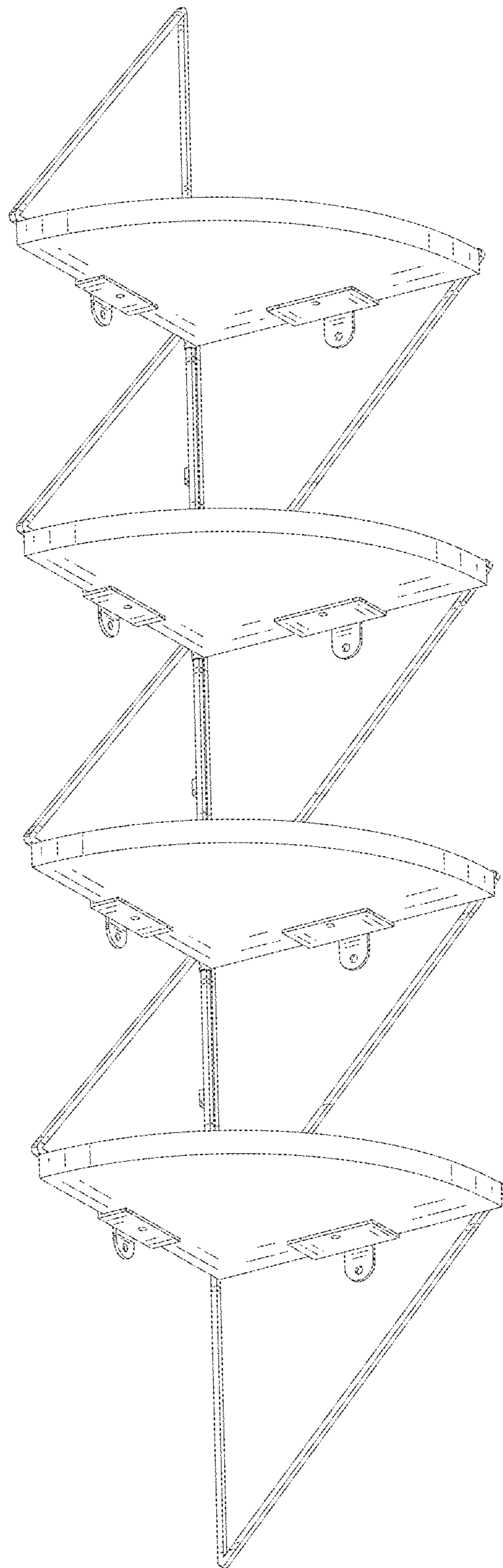


FIG. 2

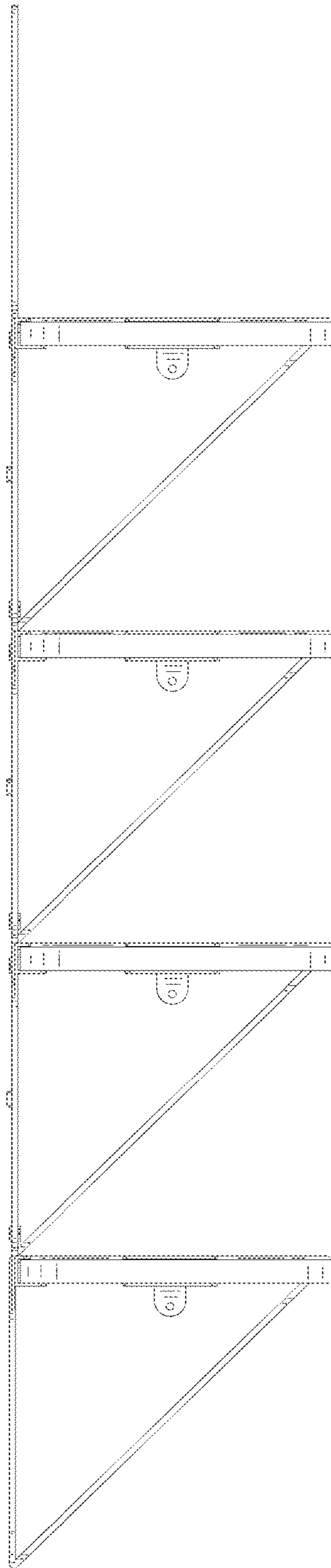


FIG. 3

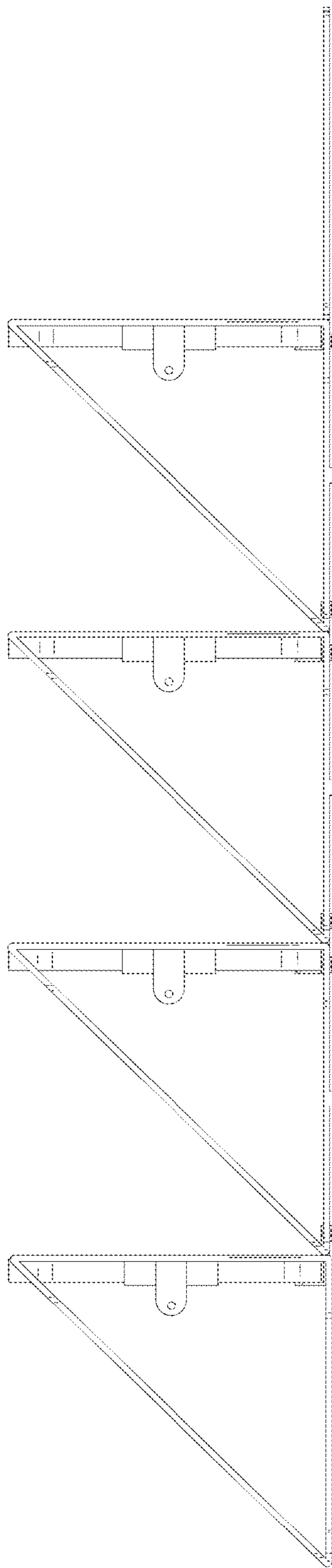


FIG. 4

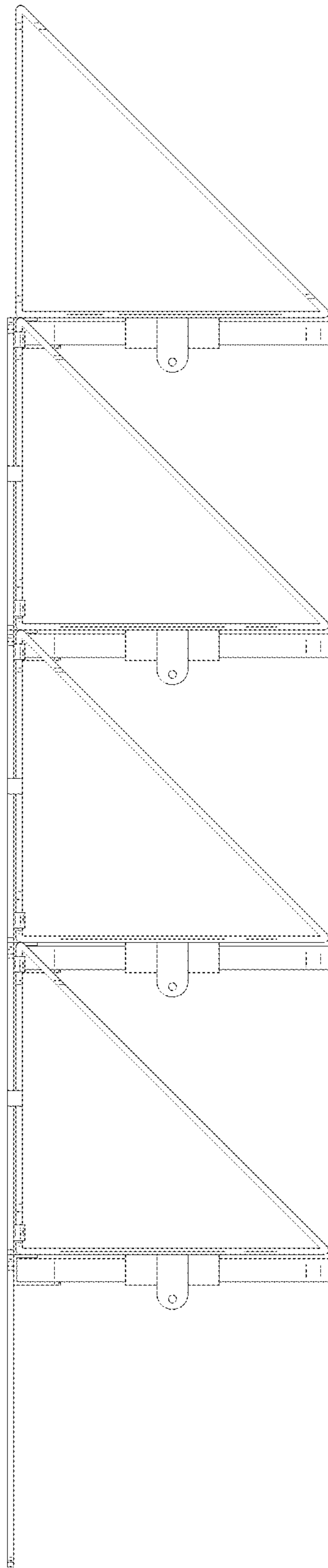


FIG. 5

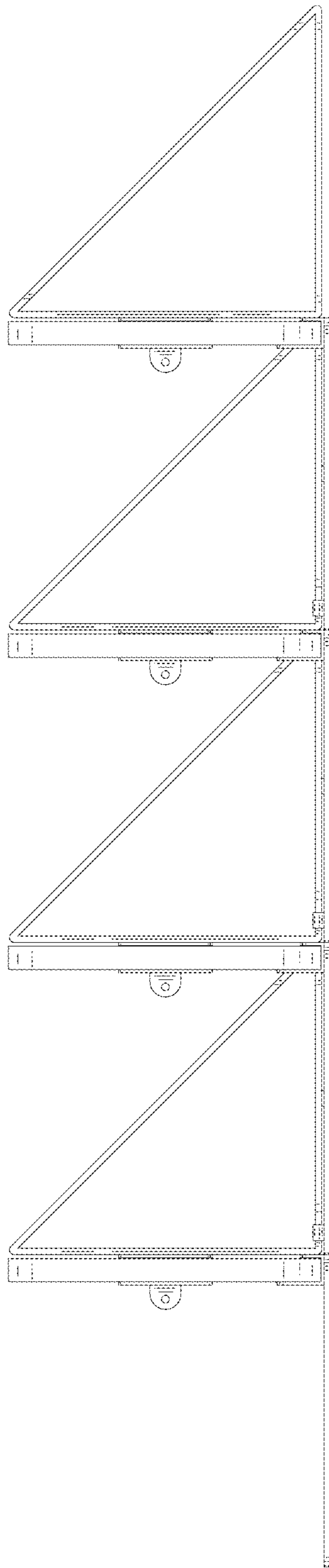


FIG. 6



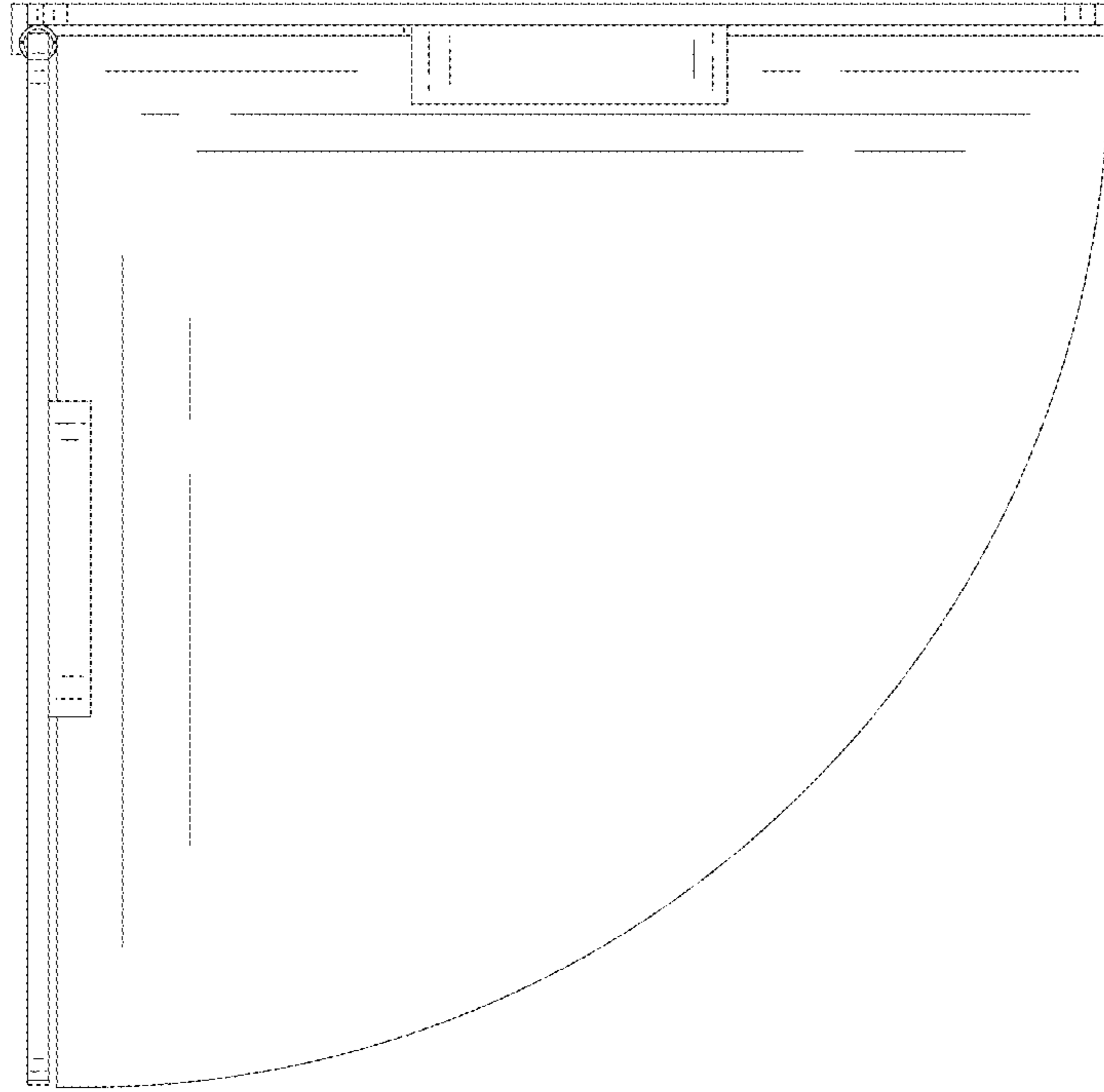


FIG. 7

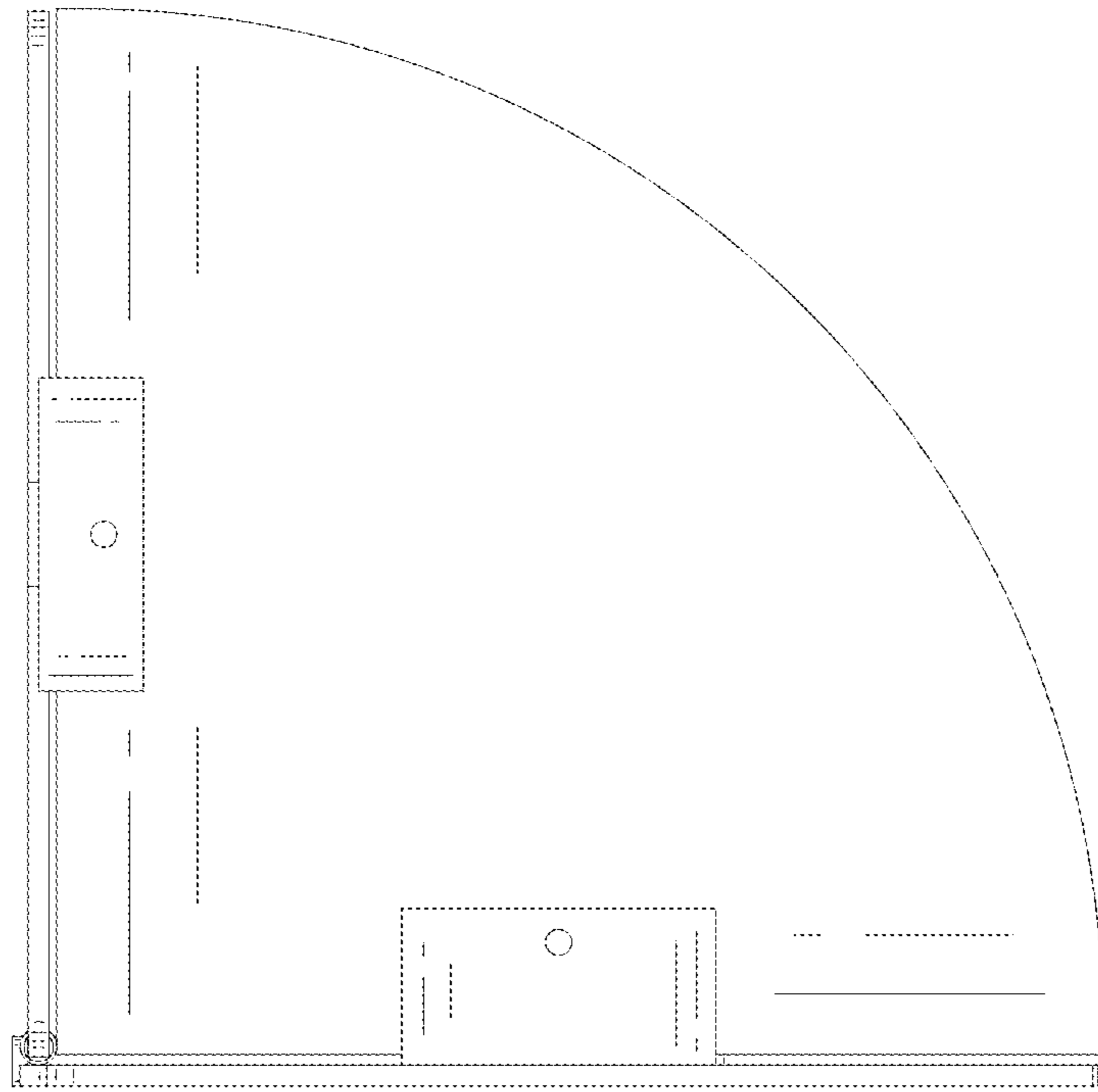


FIG. 8