



US00D954464S

(12) **United States Design Patent**  
**Holzmann et al.**

(10) **Patent No.:** **US D954,464 S**  
(45) **Date of Patent:** **\*\* Jun. 14, 2022**

- (54) **SOAP DISPENSER**
- (71) Applicant: **Bradley Corporation**, Menomonee Falls, WI (US)
- (72) Inventors: **Simon Holzmann**, Zorneding (DE); **Stefan Hillenmayer**, Munich (DE); **Ning Zhou**, Munich (DE); **Laura Beth Stang**, Mukwonago, WI (US)
- (73) Assignee: **Bradley Corporation**, Menomonee Falls, WI (US)
- (\*\*) Term: **15 Years**
- (21) Appl. No.: **29/778,700**
- (22) Filed: **Apr. 14, 2021**

D324,619 S *	3/1992	Comstock	.....	D6/544
D332,368 S *	1/1993	Hines	.....	D6/545
D332,369 S *	1/1993	Hanna	.....	D6/545
D332,370 S *	1/1993	Hanna	.....	D6/545
D342,177 S *	12/1993	Hanna	.....	D6/545
D475,873 S *	6/2003	Mello	.....	D6/515
D662,744 S *	7/2012	Memory	.....	D6/545
D705,571 S *	5/2014	Middendorp	.....	D6/545
D757,459 S *	5/2016	Citterio	.....	D6/545
2003/0102413 A1 *	6/2003	Svabek	.....	A47B 73/002 248/166
2009/0090737 A1 *	4/2009	Franco	.....	A47K 5/12 221/96

\* cited by examiner

*Primary Examiner* — Nathan M Johnston  
(74) *Attorney, Agent, or Firm* — Boyle Fredrickson, S.C.

(57) **CLAIM**

The ornamental design for a soap dispenser, substantially as shown and described.

**DESCRIPTION**

FIG. 1 is a front, raised perspective view of a soap dispenser according to the invention;  
FIG. 2 is a front view of the soap dispenser of FIG. 1;  
FIG. 3 is a rear view of the soap dispenser of FIG. 1;  
FIG. 4 is a right side view of the soap dispenser of FIG. 1;  
FIG. 5 is a left side view of the soap dispenser of FIG. 1;  
FIG. 6 is a top view of the soap dispenser of FIG. 1;  
FIG. 7 is a bottom view of the soap dispenser of FIG. 1; and,  
FIG. 8 is a front, lowered perspective view of the soap dispenser of FIG. 1.

The broken lines shown in the drawings form no part of the claimed design. All surfaces not shown form no part of the claimed design. Further, the soap dispenser is shown with symbolic breaks in its width. The appearance of any portion of the soap dispenser between the break lines forms no part of the claimed design.

**1 Claim, 8 Drawing Sheets**

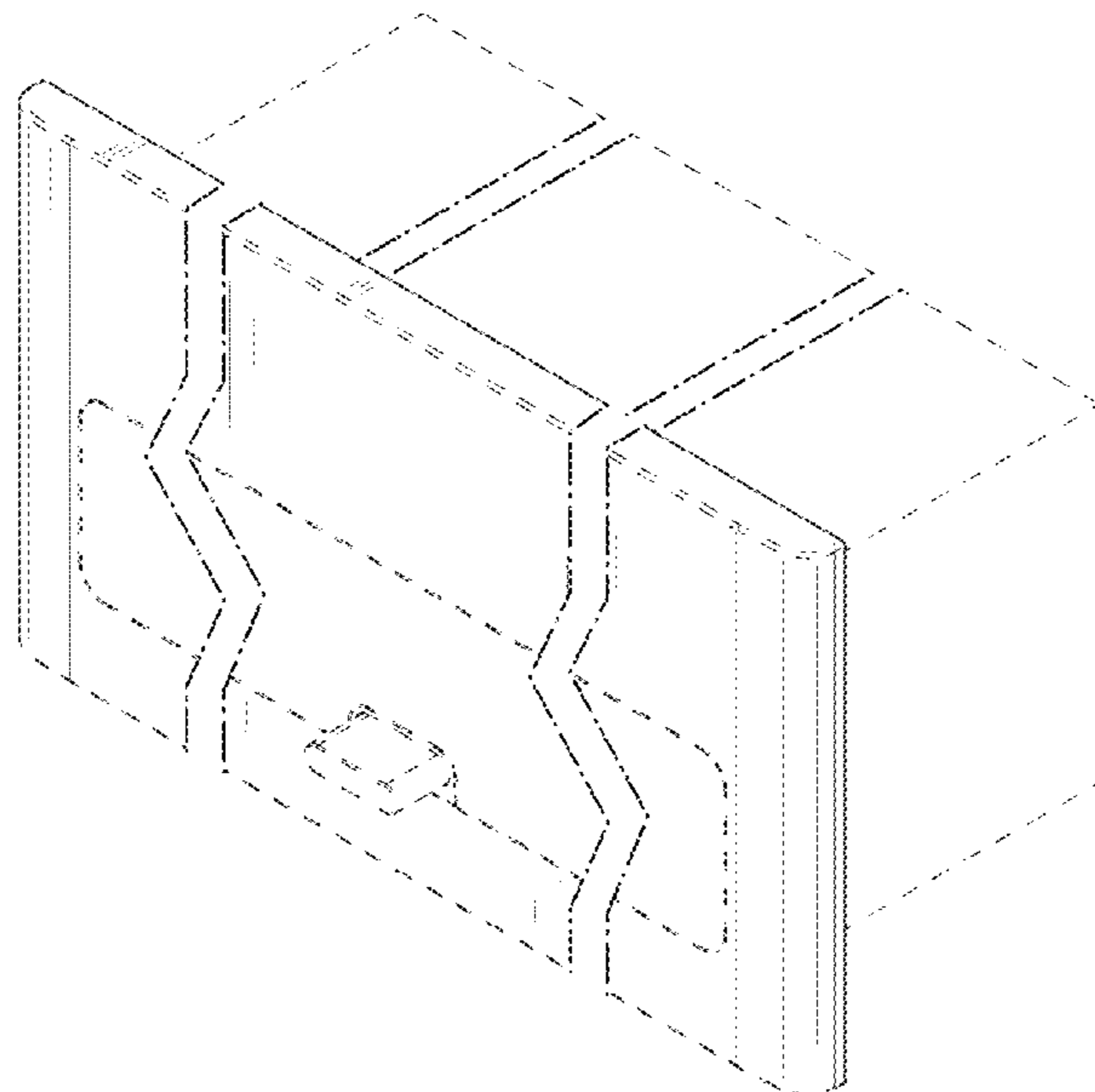
**Related U.S. Application Data**

- (62) Division of application No. 29/708,032, filed on Oct. 2, 2019.
- (51) **LOC (13) Cl.** ..... **23-02**
- (52) **U.S. Cl.**  
USPC ..... **D6/545**
- (58) **Field of Classification Search**  
USPC ..... D6/542-545; 221/208, 282, 283;  
222/105, 173, 180, 181.1, 181.2, 181.3  
CPC ..... A47K 5/12; A47K 5/1204; A47K 5/1205;  
A47K 5/1207; A47K 5/08; A47K 5/1214;  
A47K 5/1215; A47K 5/14; A47K 5/16;  
A47K 7/04  
See application file for complete search history.

(56) **References Cited**

**U.S. PATENT DOCUMENTS**

- 3,987,932 A \* 10/1976 Maldon ..... B65D 35/28  
221/96
- D302,917 S \* 8/1989 Banks ..... D6/545



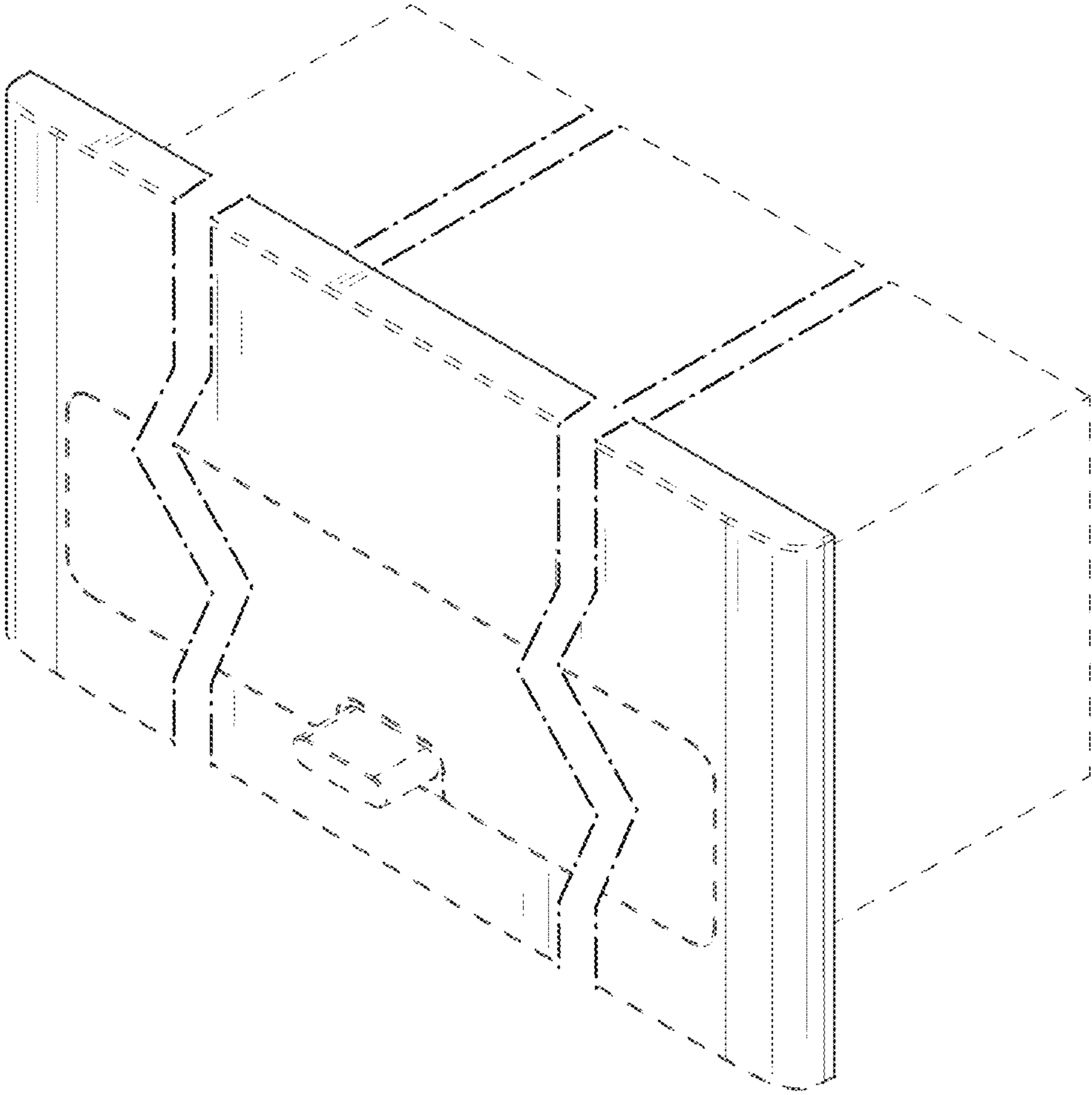


FIG. 1

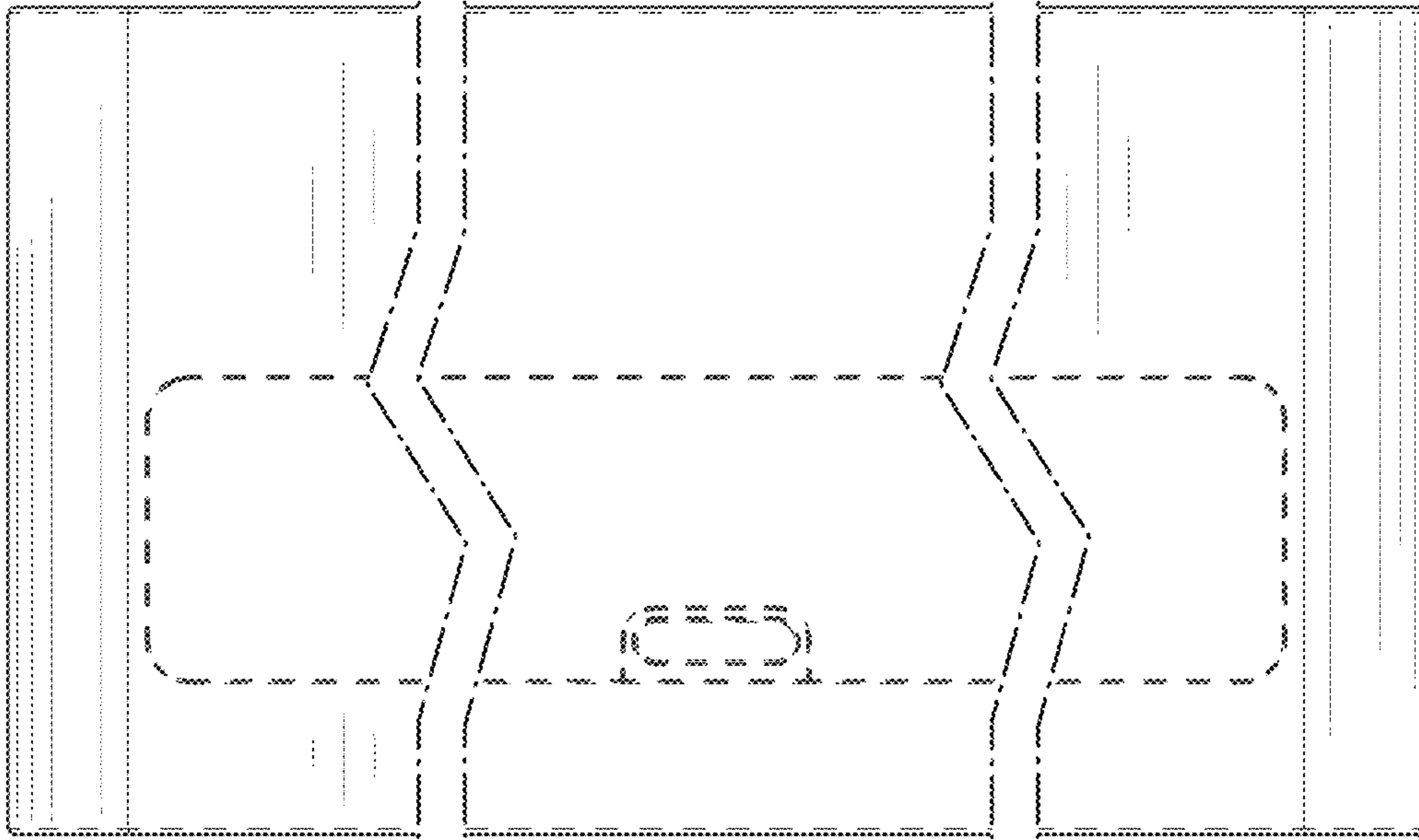


FIG. 2

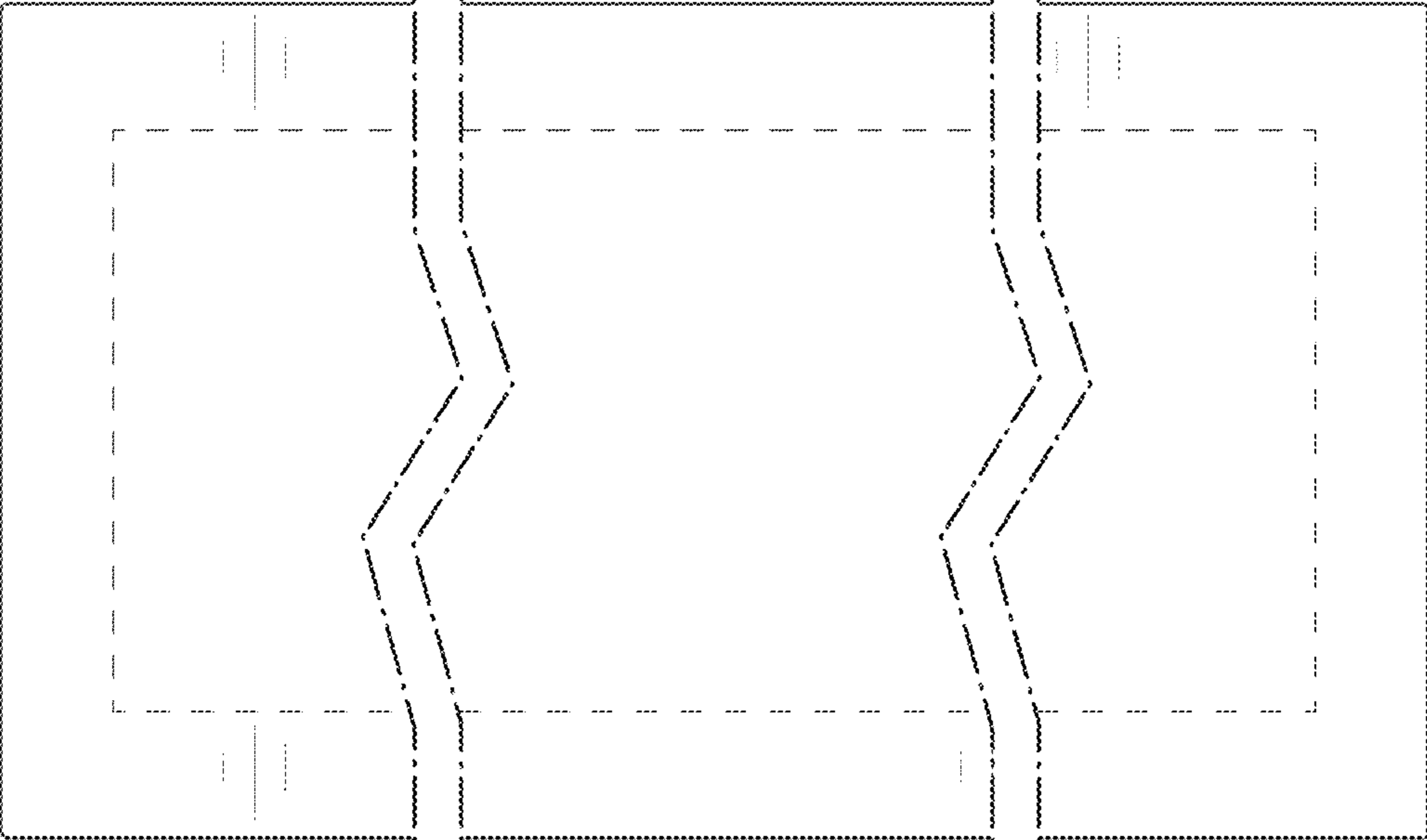


FIG. 3

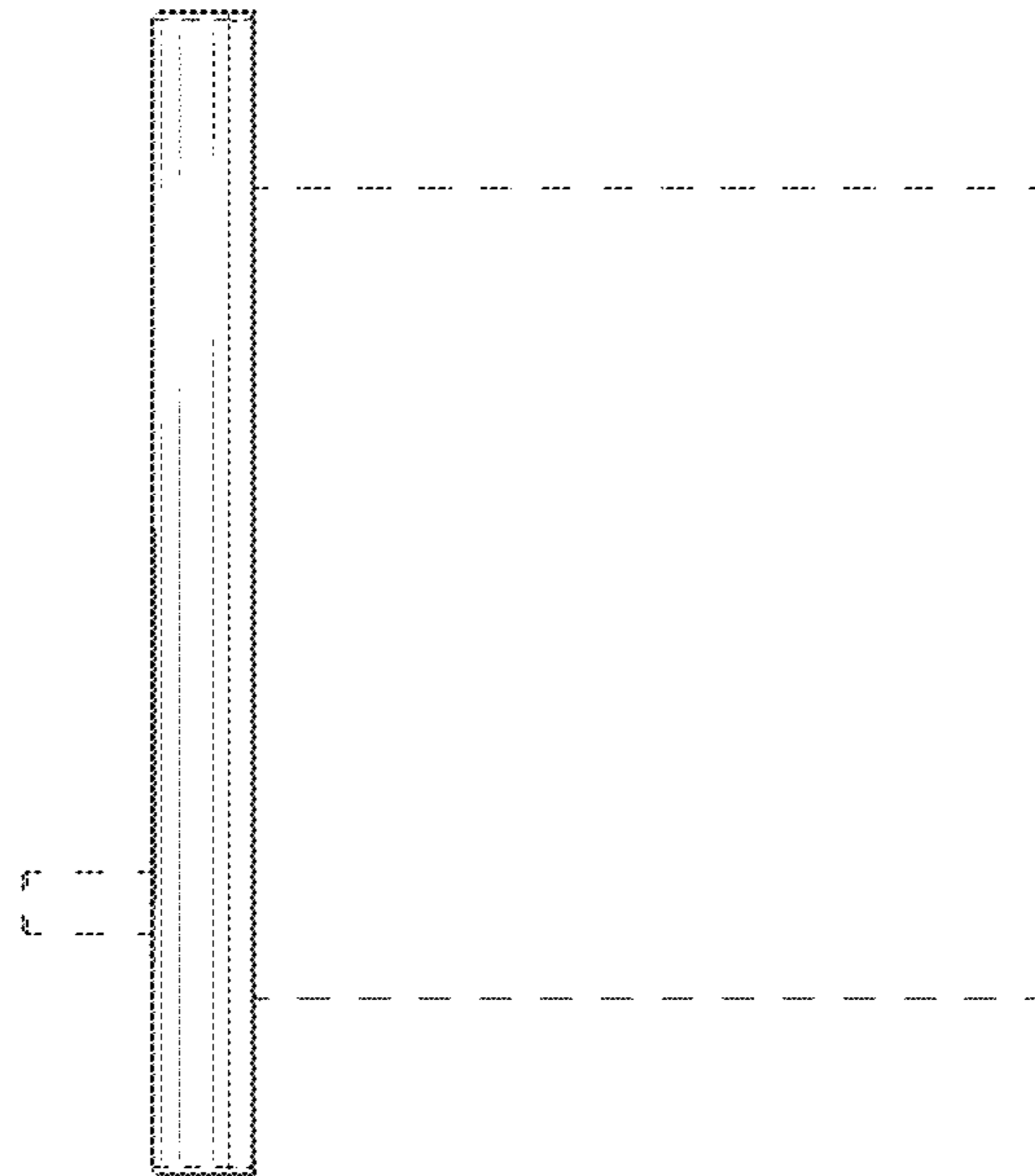


FIG. 4

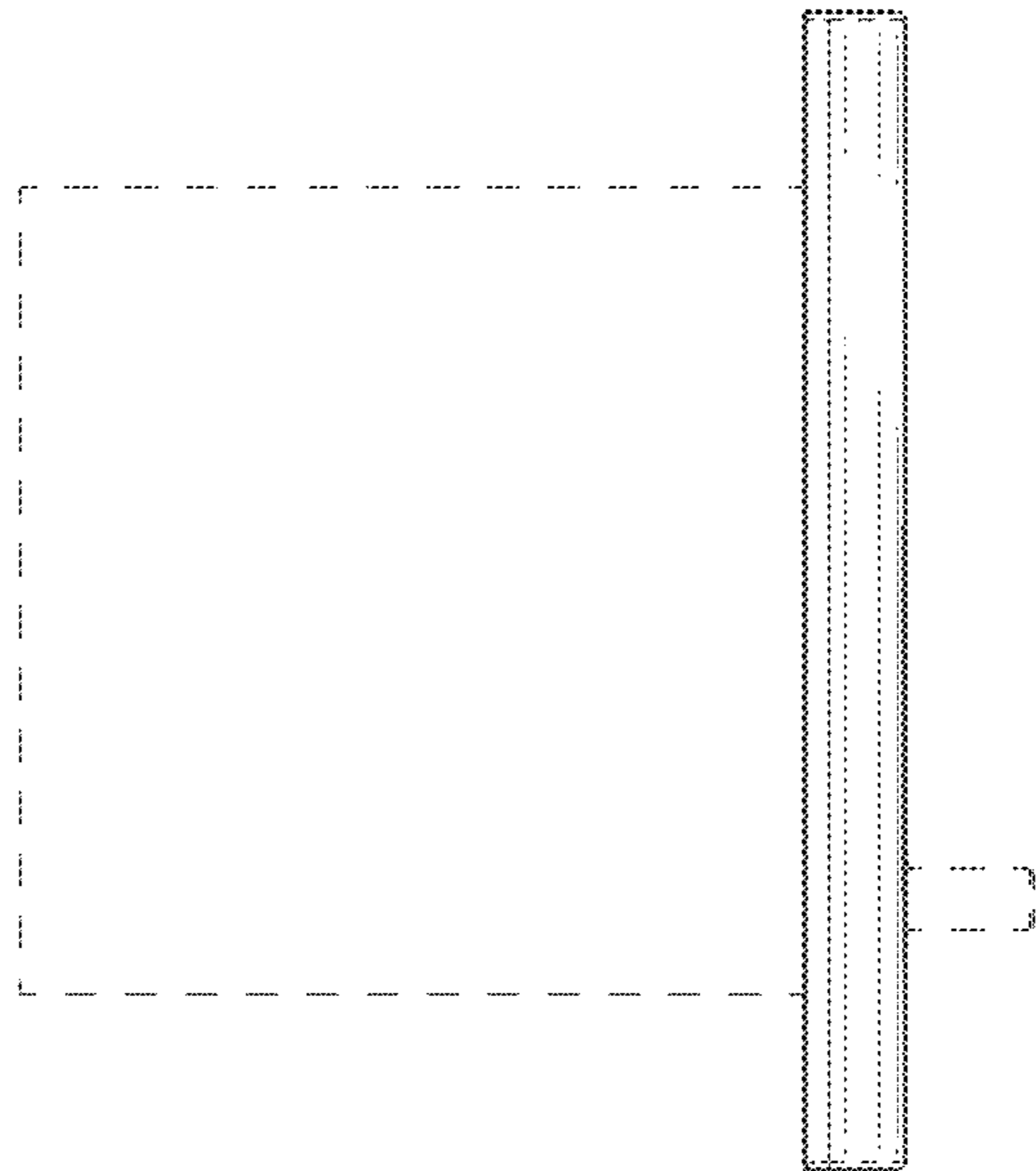


FIG. 5

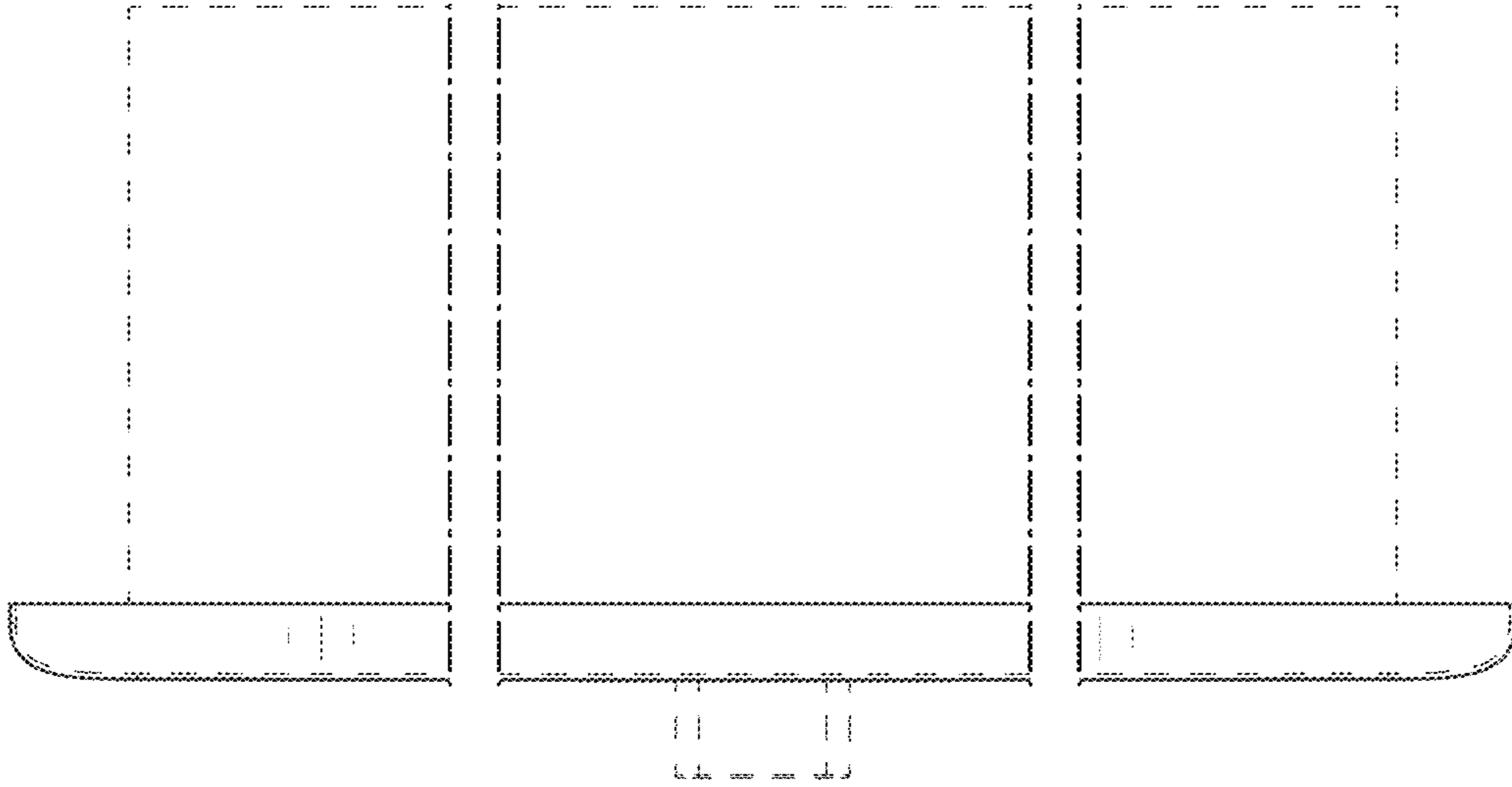


FIG. 6

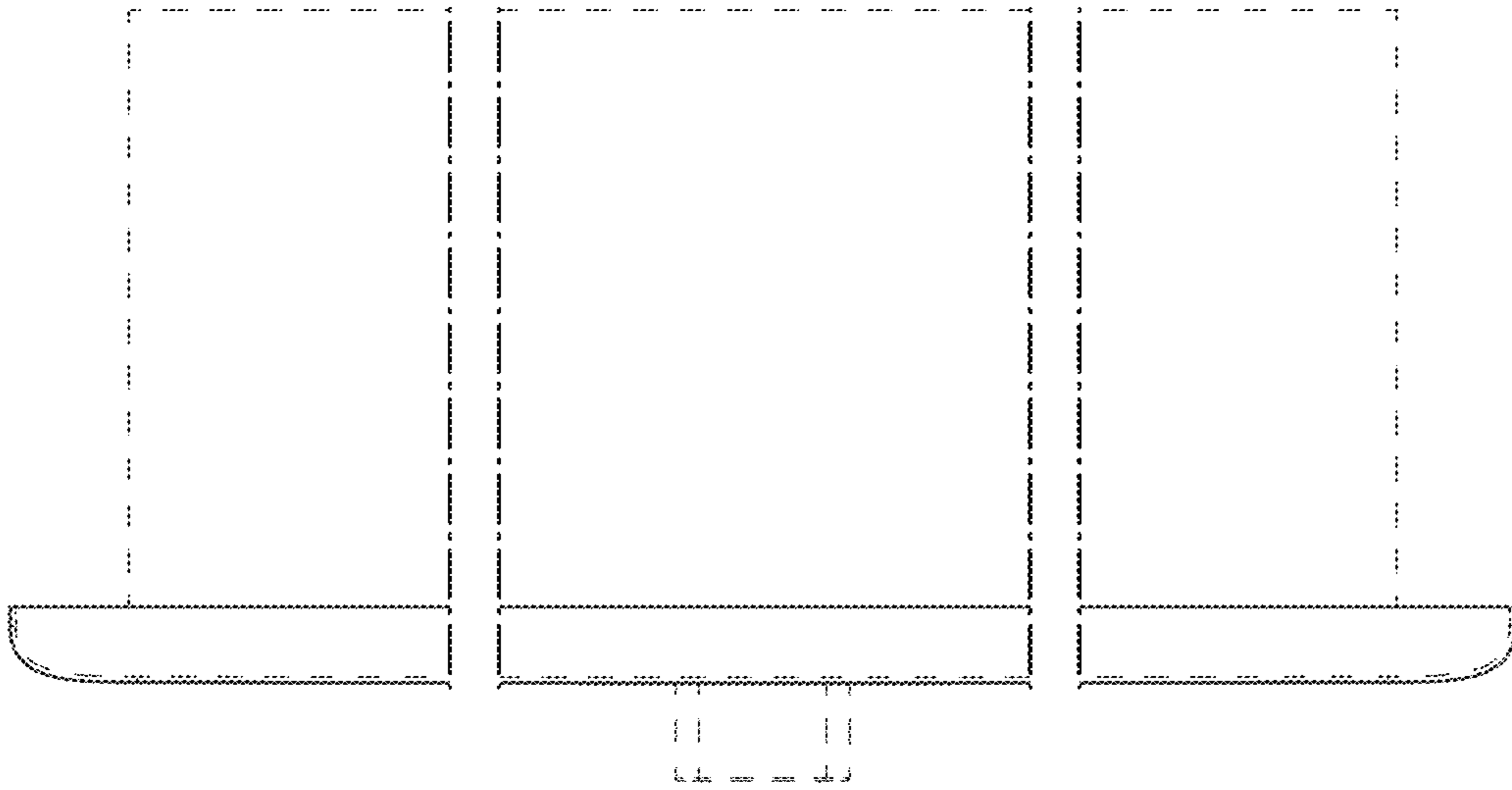


FIG. 7



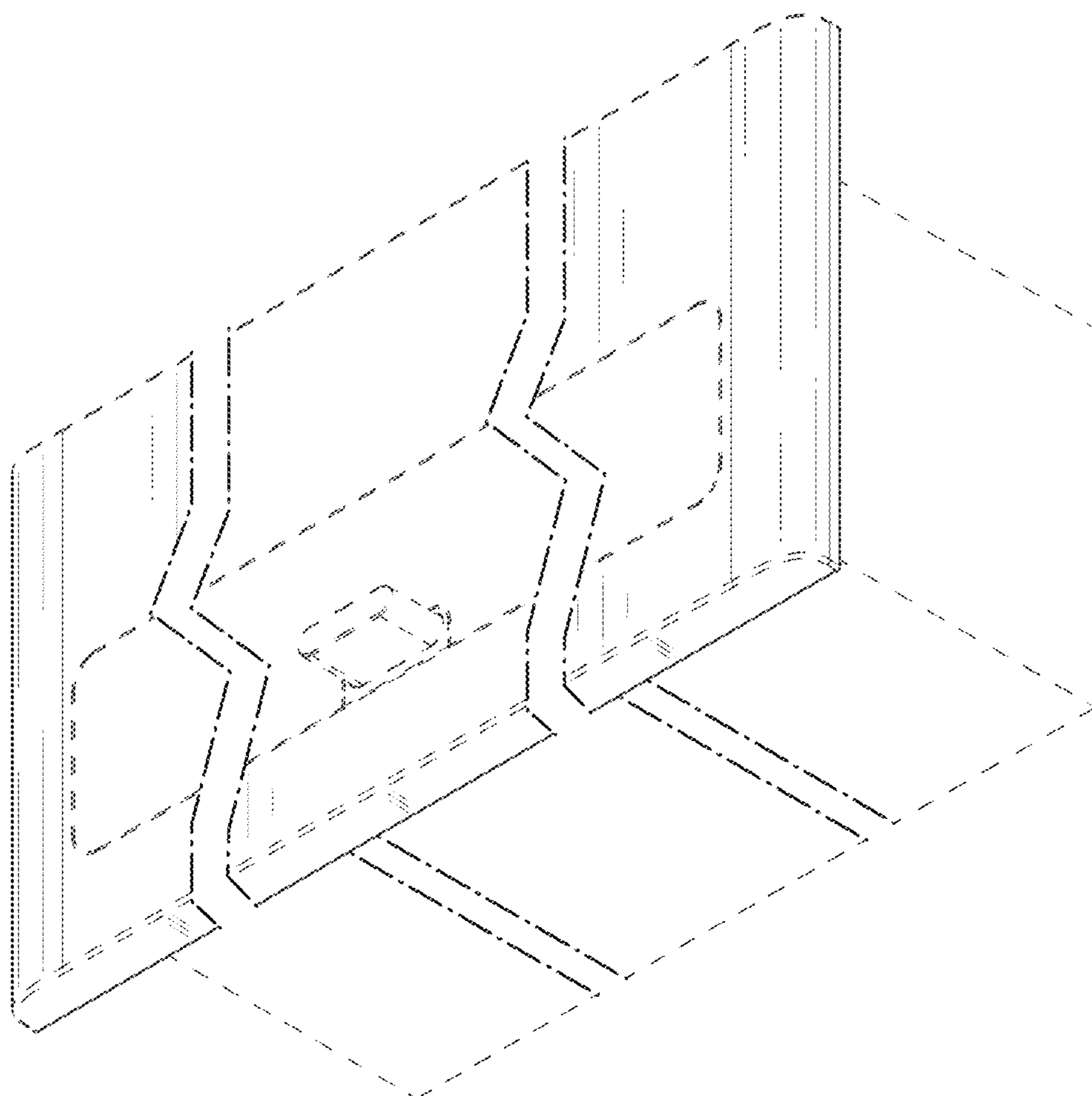


FIG. 8