



US00D954463S

(12) **United States Design Patent**  
**McBride**

(10) **Patent No.:** **US D954,463 S**

(45) **Date of Patent:** **\*\* Jun. 14, 2022**

(54) **HOLDER**

(71) Applicant: **InterDesign, Inc.**, Solon, OH (US)

(72) Inventor: **Sara Czukal McBride**, Wickliffe, OH (US)

(73) Assignee: **InterDesign, Inc.**, Solon, OH (US)

(\*\*) Term: **15 Years**

(21) Appl. No.: **29/664,836**

(22) Filed: **Sep. 28, 2018**

**Related U.S. Application Data**

(63) Continuation-in-part of application No. 16/112,078, filed on Aug. 24, 2018, now Pat. No. 10,786,075, and a continuation-in-part of application No. 29/639,858, filed on Mar. 9, 2018, now abandoned, and a continuation-in-part of application No. 29/636,775, filed on Feb. 12, 2018, now abandoned, which is a continuation of application No. 29/544,496, filed on Nov. 4, 2015, now Pat. No. Des. 809,806.

(51) **LOC (13) Cl.** ..... **20-02**

(52) **U.S. Cl.**  
USPC ..... **D6/520; D32/55**

(58) **Field of Classification Search**  
USPC ..... D32/55, 276, 3; D6/510, 525, 520, 523; D30/133; 211/41.5, 41.4, 41.3, 41.8; 361/679.4; 312/311, 333, 334.4; D7/354, 629; D3/316  
CPC .. A47L 15/505; A47L 15/503; A47L 15/0013; A47L 19/02; A47L 19/04; A47J 47/20  
See application file for complete search history.

(56) **References Cited**

**U.S. PATENT DOCUMENTS**

D342,844 S \* 1/1994 Rittenberg ..... D6/566  
D361,449 S \* 8/1995 Rittenberg ..... D6/566

D540,083 S \* 4/2007 Snell ..... D6/523  
D542,581 S \* 5/2007 Goodman ..... D6/520  
D618,021 S \* 6/2010 Guindi ..... D6/520  
D637,042 S \* 5/2011 Chen ..... D7/600.1  
D646,961 S \* 10/2011 Hampton ..... D8/373  
D647,745 S \* 11/2011 Guindi ..... D6/520  
D794,893 S \* 8/2017 Libman ..... D32/55  
D816,286 S \* 4/2018 Kim ..... D32/55  
D816,934 S \* 5/2018 Klipshtein ..... D32/55  
D871,701 S \* 12/2019 Goodman ..... D32/55  
D871,702 S \* 12/2019 Kauffman ..... D32/55  
D874,775 S \* 2/2020 Xie ..... D32/55  
D885,700 S \* 5/2020 Joseph ..... D32/55  
D890,460 S \* 7/2020 Evans ..... D32/55  
D894,696 S \* 9/2020 Tsui ..... D7/667  
D898,407 S \* 10/2020 Ghiorghie ..... D6/520  
D902,621 S \* 11/2020 Peng ..... D6/520  
D910,260 S \* 2/2021 Xie ..... D32/55

(Continued)

*Primary Examiner* — Austin Murphy

(74) *Attorney, Agent, or Firm* — Calfee, Halter & Griswold LLP

(57) **CLAIM**

I claim the ornamental design for a holder, as shown and described.

**DESCRIPTION**

FIG. 1 is a front/left/top perspective view of a holder (a front/right/top perspective view would be a mirror image thereof);

FIG. 2 is a rear/right/bottom perspective view thereof (a rear/left/bottom perspective view would be a mirror image thereof

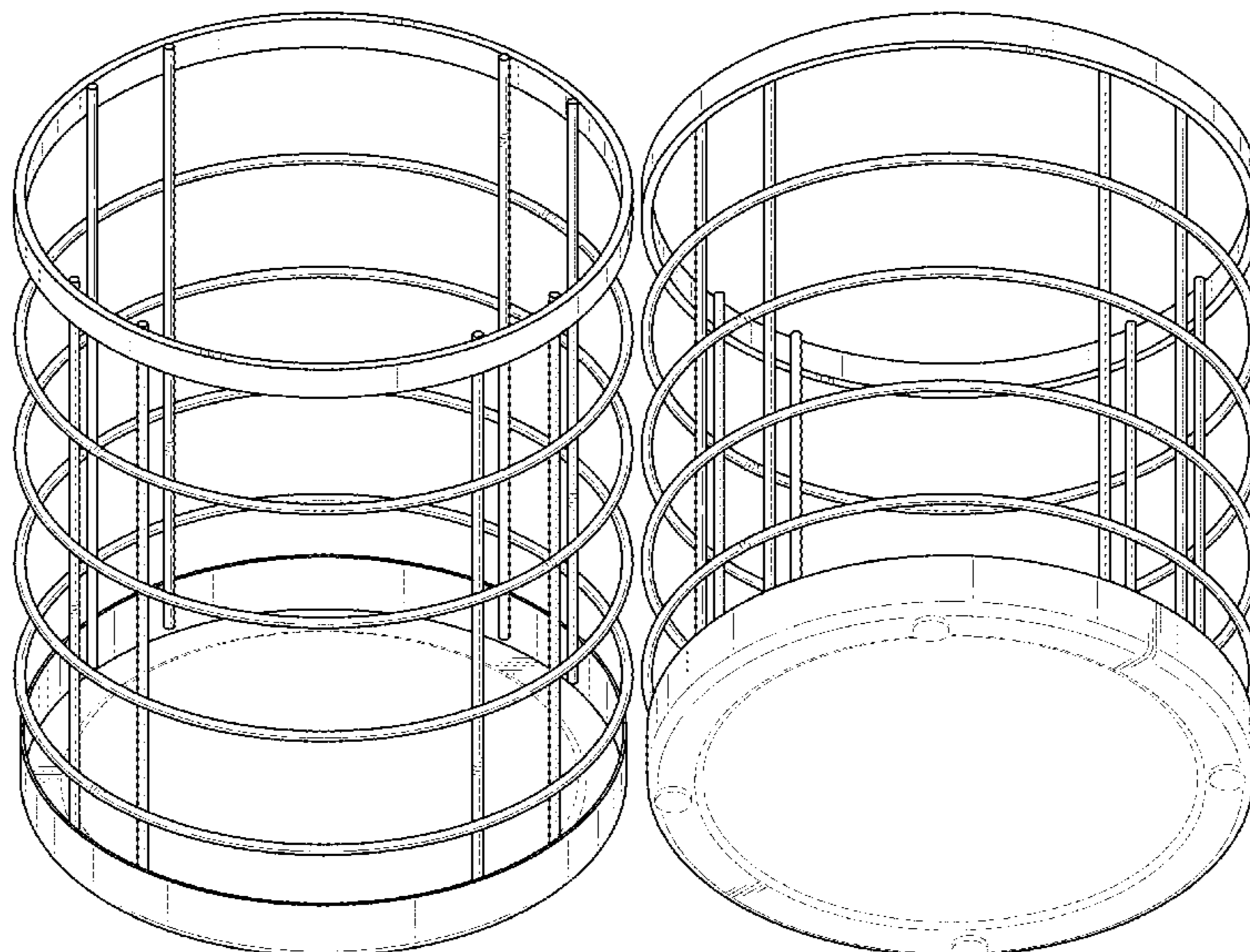
FIG. 3 is a front elevational view thereof;

FIG. 4 is a left side elevational view thereof; and,

FIG. 5 is a bottom plan view thereof.

The broken lines show portions of the holder that form no part of the claimed design.

**1 Claim, 5 Drawing Sheets**



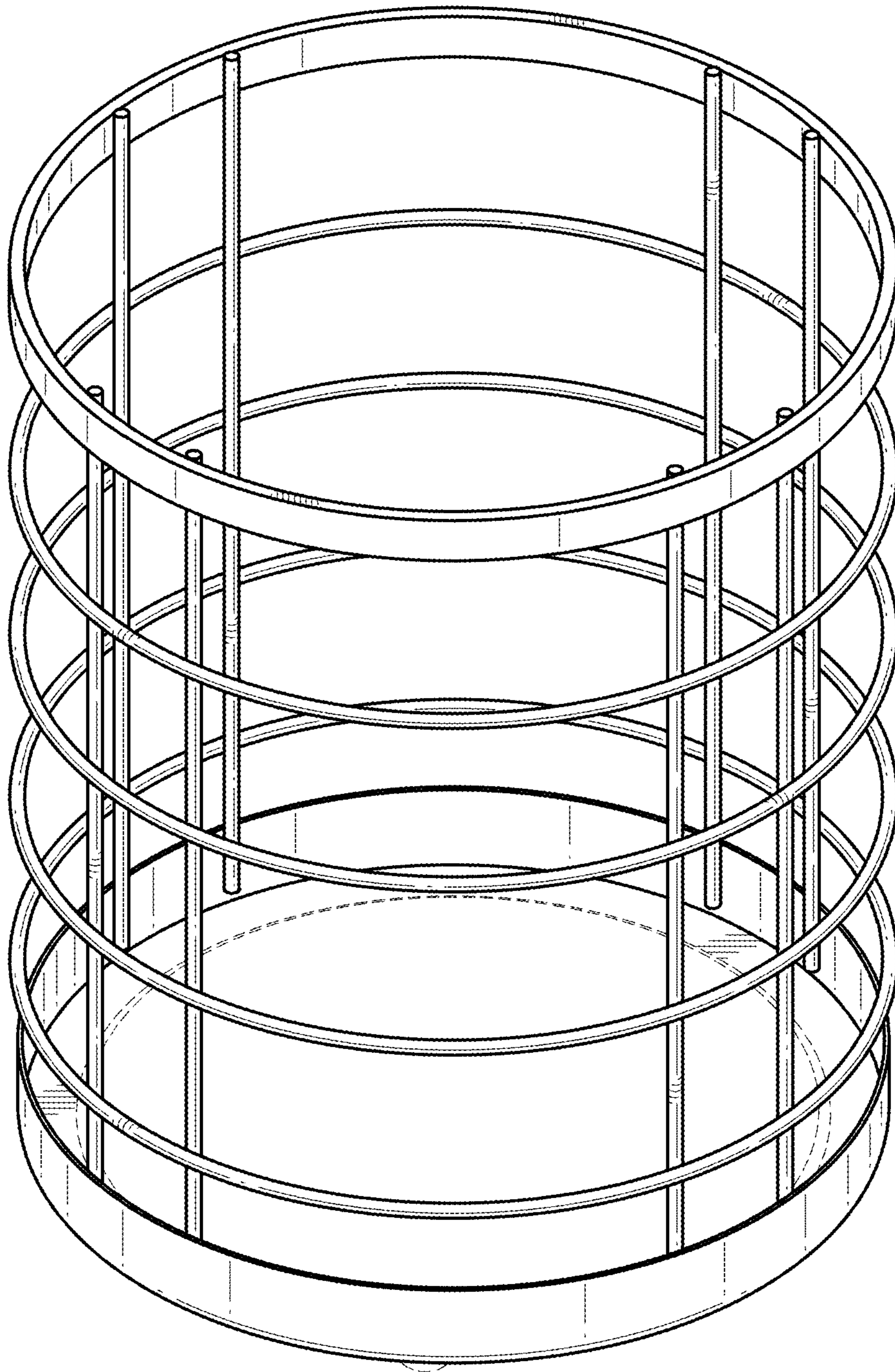
(56)

**References Cited**

U.S. PATENT DOCUMENTS

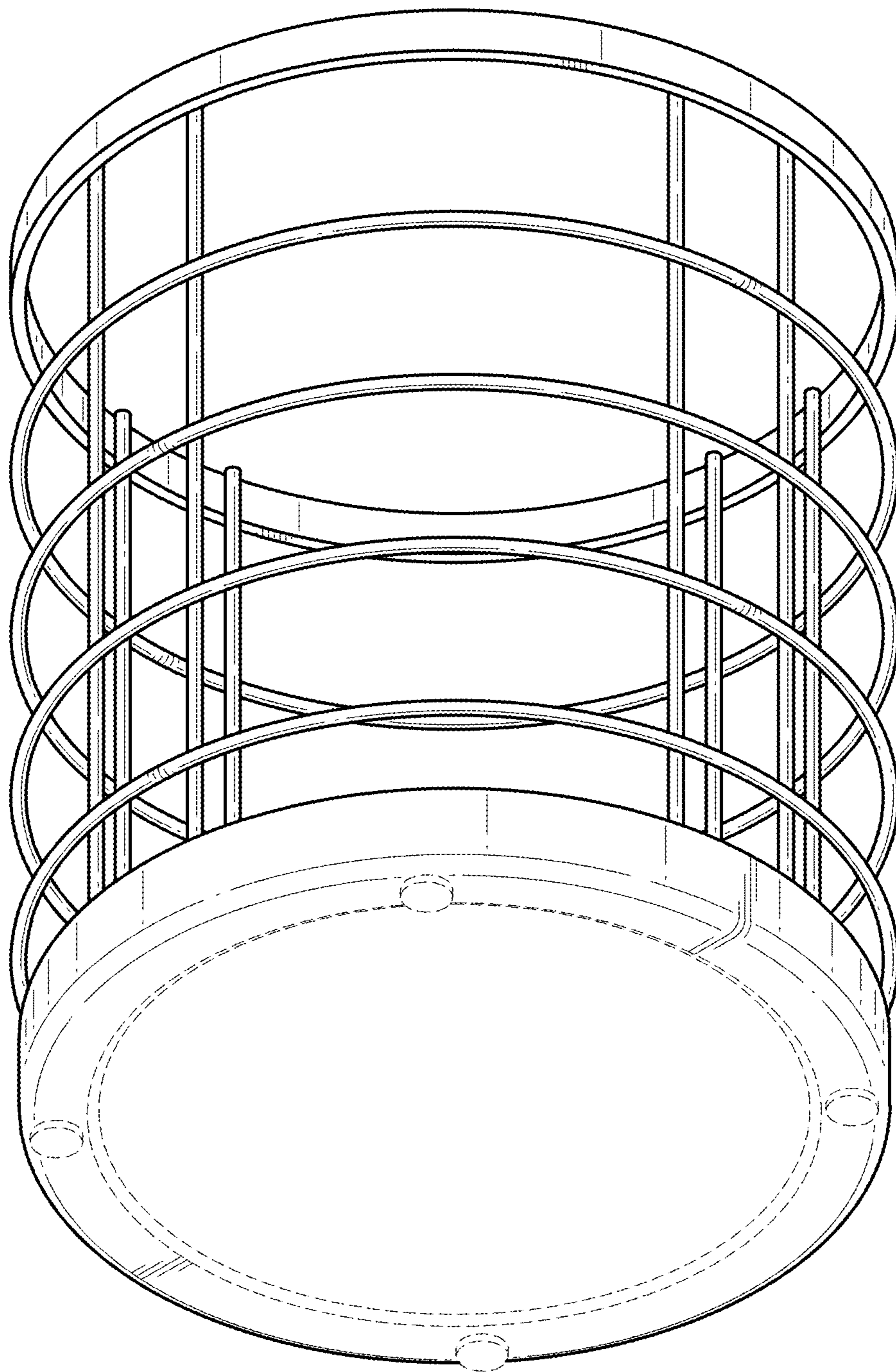
D914,166 S *	3/2021	Diefenbach .....	D23/261
D914,312 S *	3/2021	Cheng .....	D32/55
D914,313 S *	3/2021	Diefenbach .....	D32/57
D916,412 S *	4/2021	Moody Fear .....	D32/55
D916,488 S *	4/2021	Peng .....	D6/520
D921,319 S *	6/2021	Xie .....	D32/55
D921,397 S *	6/2021	Xie .....	D6/520
D922,716 S *	6/2021	Zhou .....	D32/55
D923,275 S *	6/2021	Driscoll .....	D32/57
D925,852 S *	7/2021	XiangZe .....	D32/55
D928,442 S *	8/2021	Zhan .....	D32/55

\* cited by examiner

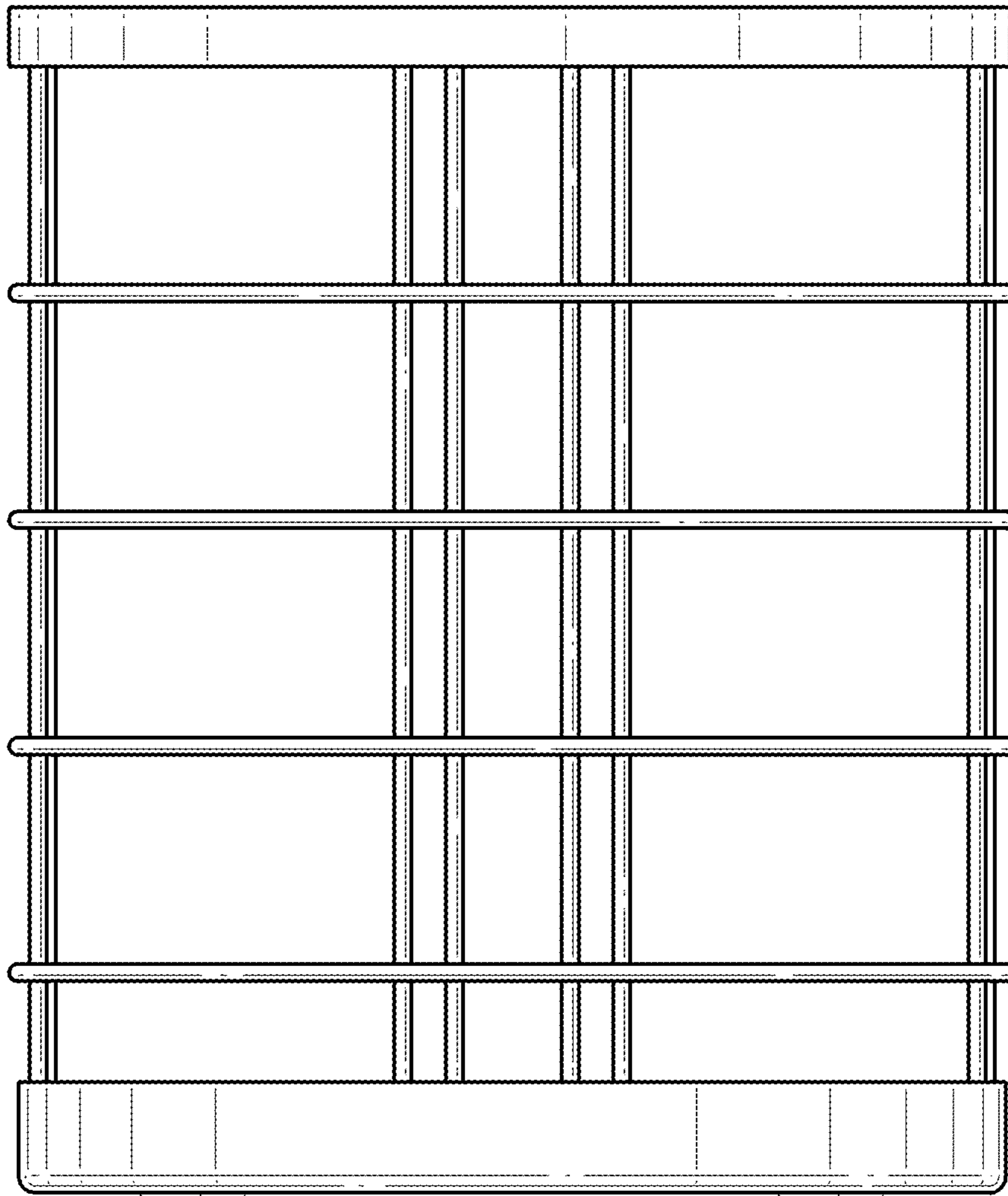


**FIG. 1**

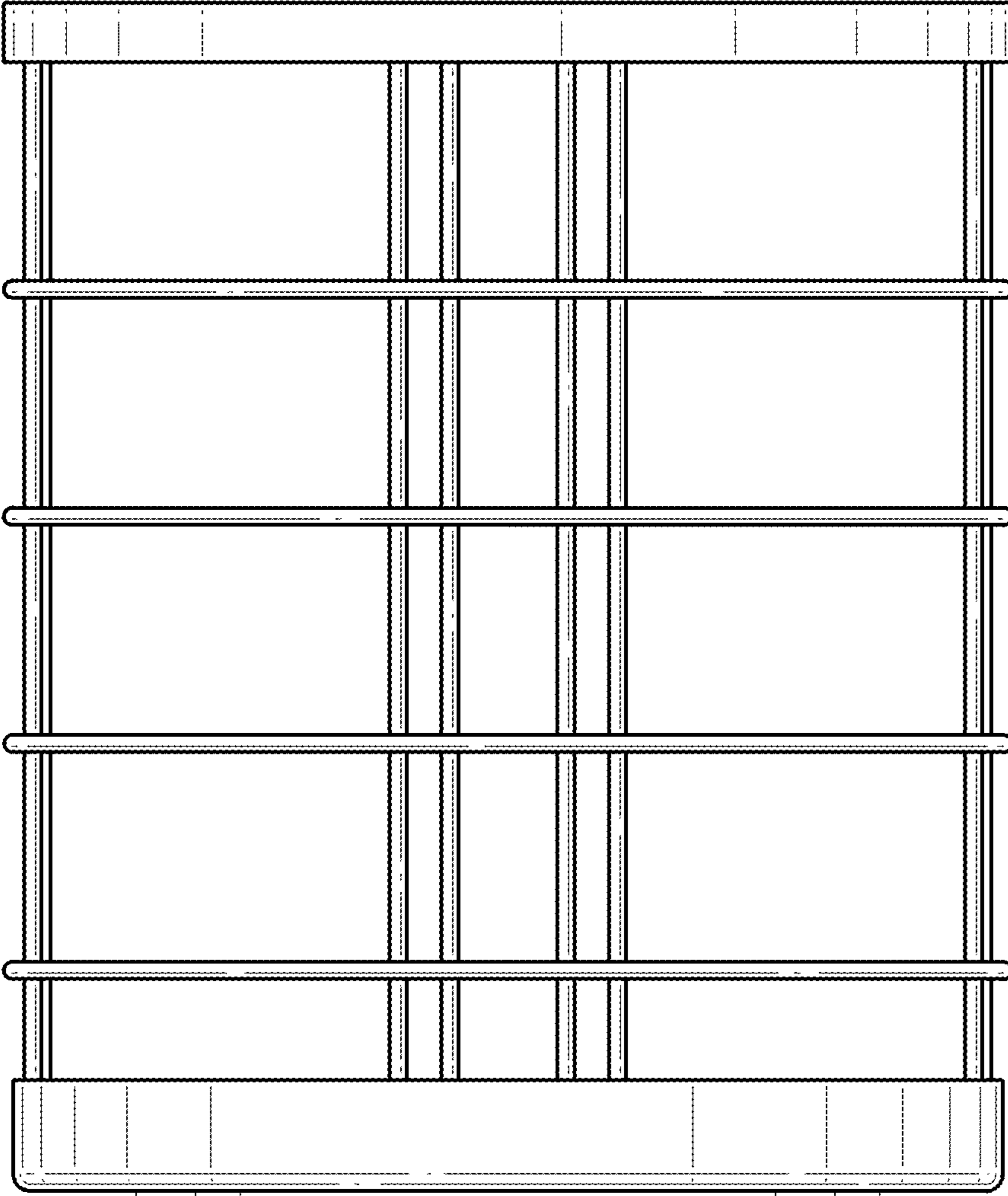




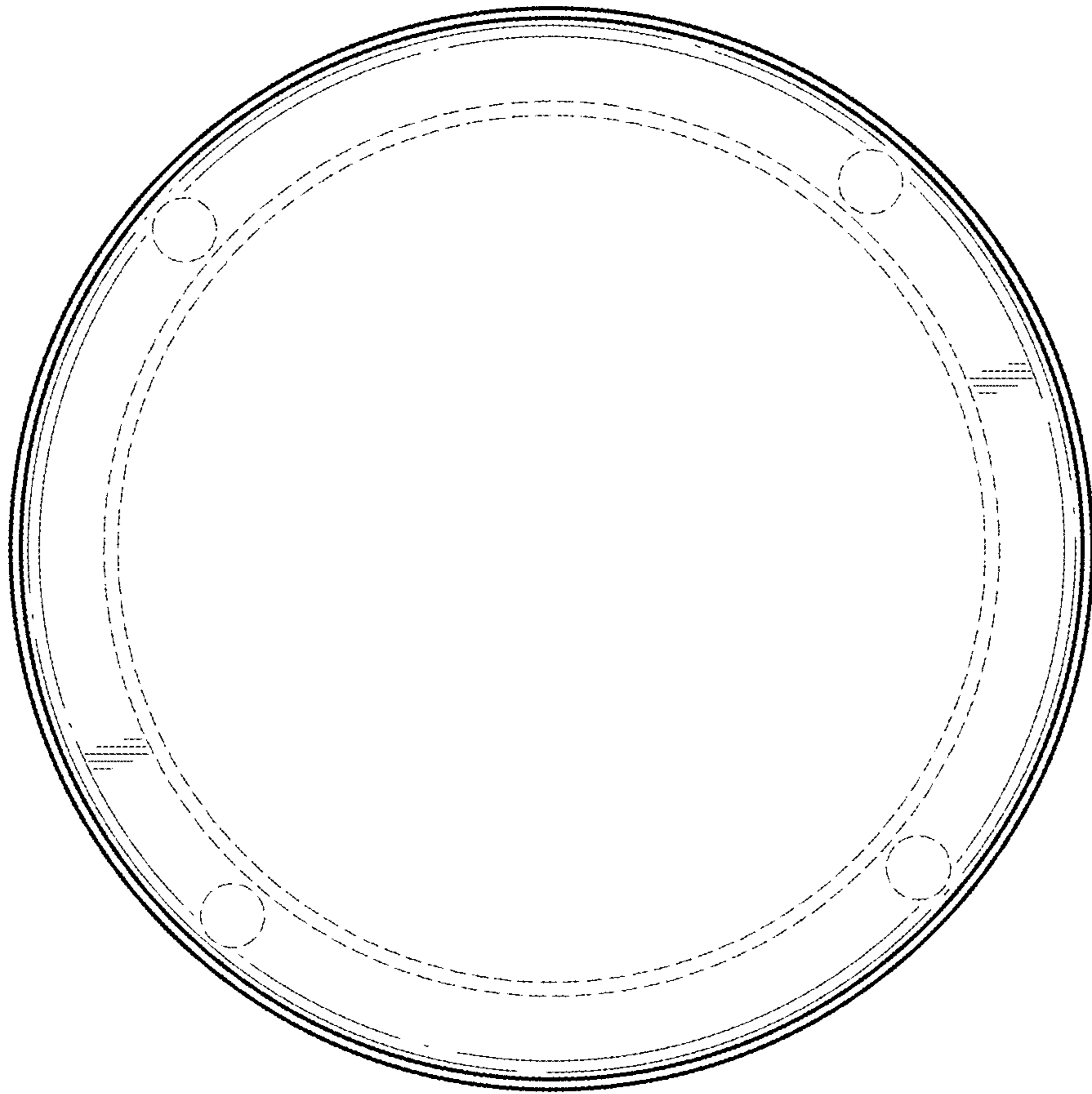
**FIG. 2**



**FIG. 3**



**FIG. 4**



**FIG. 5**