



US00D954461S

(12) **United States Design Patent**
Czaja

(10) **Patent No.:** **US D954,461 S**
(45) **Date of Patent:** **** Jun. 14, 2022**

- (54) **SOFA**
- (71) Applicant: **Williams-Sonoma, Inc.**, San Francisco, CA (US)
- (72) Inventor: **Megan Czaja**, Brooklyn, NY (US)
- (73) Assignee: **Williams-Sonoma, Inc.**, San Francisco, CA (US)
- (**) Term: **15 Years**
- (21) Appl. No.: **29/762,922**
- (22) Filed: **Dec. 18, 2020**
- (51) **LOC (13) Cl.** **06-01**
- (52) **U.S. Cl.**
USPC **D6/381**
- (58) **Field of Classification Search**
USPC D6/334-337, 349, 369, 374, 375, 377, D6/381
CPC A47C 17/00; A47C 17/02; A47C 17/86
See application file for complete search history.

- D824,690 S 8/2018 Hale
- D884,380 S 5/2020 Killinger
- D887,160 S 6/2020 Killinger
- D889,877 S 7/2020 Hale
- D897,128 S 9/2020 Killinger
- D899,795 S 10/2020 Hale

FOREIGN PATENT DOCUMENTS

- WO D066452-018 * 8/2005
- WO D051573-004 * 6/2020

OTHER PUBLICATIONS

Newport Sofa [online], [site visited Mar. 21, 2022]. Available from internet, URL: <<https://www.westelm.com/products/newport-sofa-84-h5007/?pkey=csofas>> (Year: 2022).*

Tablon Snow Sofa [online], [site visited Mar. 21, 2022]. Available from internet, URL: <<https://www.cb2.com/tablon-snow-sofa/s611842>> (Year: 2021).*

* cited by examiner

Primary Examiner — Cynthia Ramirez
Assistant Examiner — Xavier Marti-Santos
 (74) *Attorney, Agent, or Firm* — Cook Alex Ltd.

(57) **CLAIM**

The ornamental design for a sofa, as shown and described.

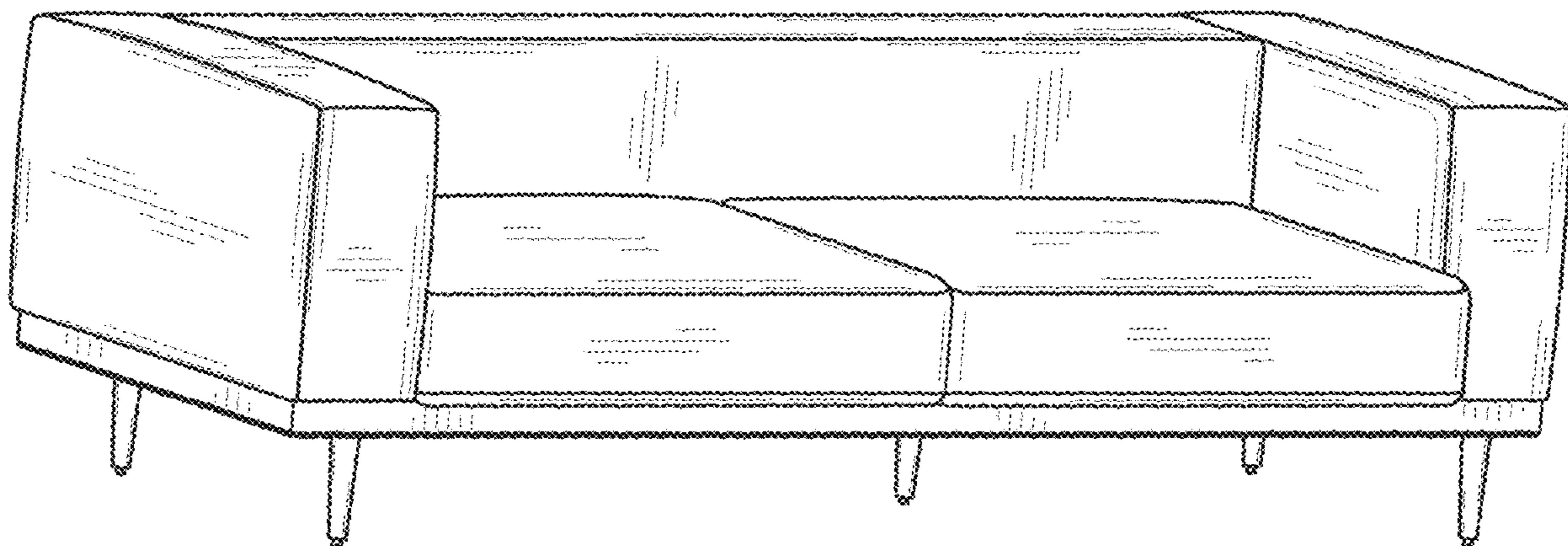
DESCRIPTION

FIG. 1 is a perspective view of the sofa;
 FIG. 2 is a front elevational view thereof;
 FIG. 3 is a rear elevational view thereof;
 FIG. 4 is a right side elevational view thereof, the left side being a mirror image;
 FIG. 5 is a top plan view thereof; and,
 FIG. 6 is a bottom plan view thereof.

1 Claim, 6 Drawing Sheets

(56) **References Cited**
 U.S. PATENT DOCUMENTS

- D446,039 S * 8/2001 Gomez D6/381
- D485,086 S * 1/2004 Gomez D6/381
- D493,039 S * 7/2004 Ricci D6/381
- D515,333 S * 2/2006 Natuzzi D6/381
- D515,334 S * 2/2006 Natuzzi D6/381
- D527,541 S * 9/2006 Natuzzi D6/381
- D552,862 S * 10/2007 Natuzzi D6/381
- D578,798 S * 10/2008 Ricci D6/381
- D584,524 S * 1/2009 Ricci D6/381
- D590,623 S * 4/2009 Natuzzi D6/381
- D592,882 S * 5/2009 Natuzzi D6/381
- D698,179 S * 1/2014 Nguyen D6/381
- D814,207 S * 4/2018 Garrison D6/381



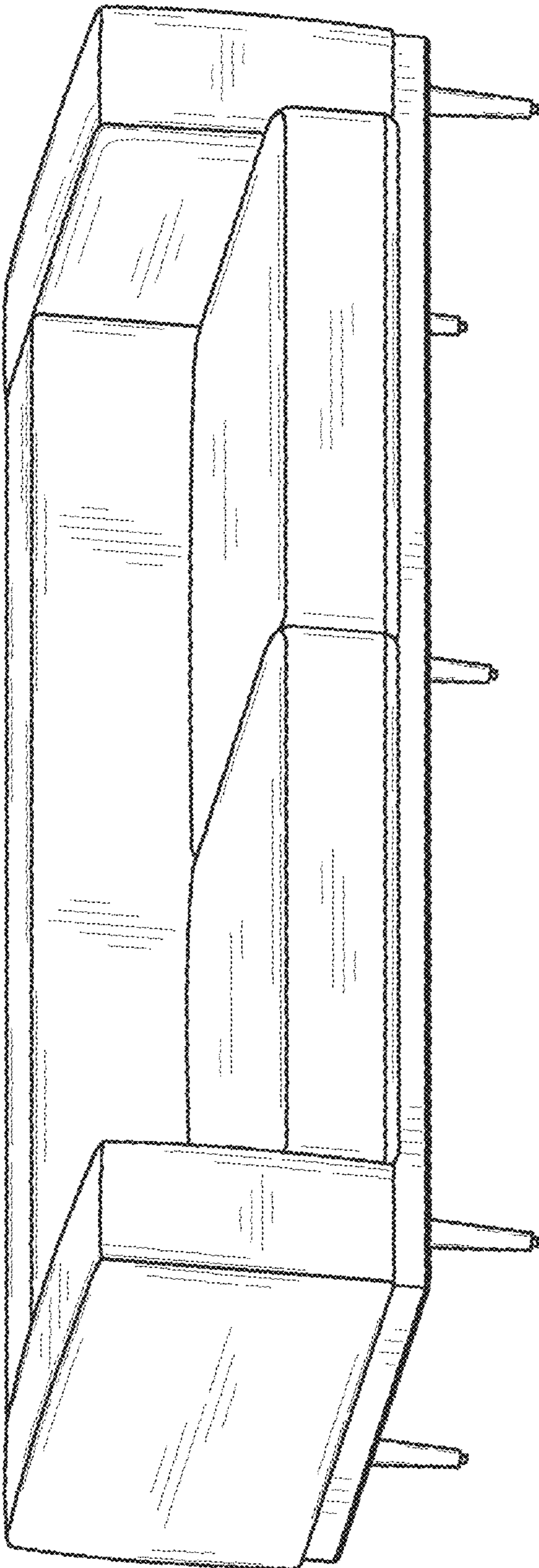


FIG. 1

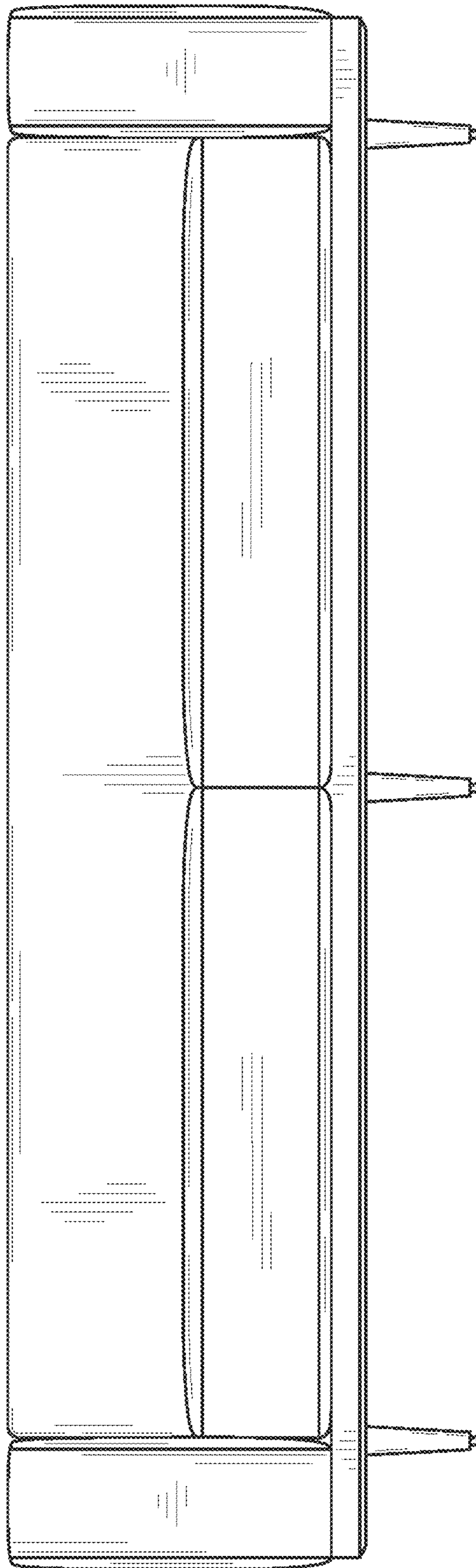


FIG. 2

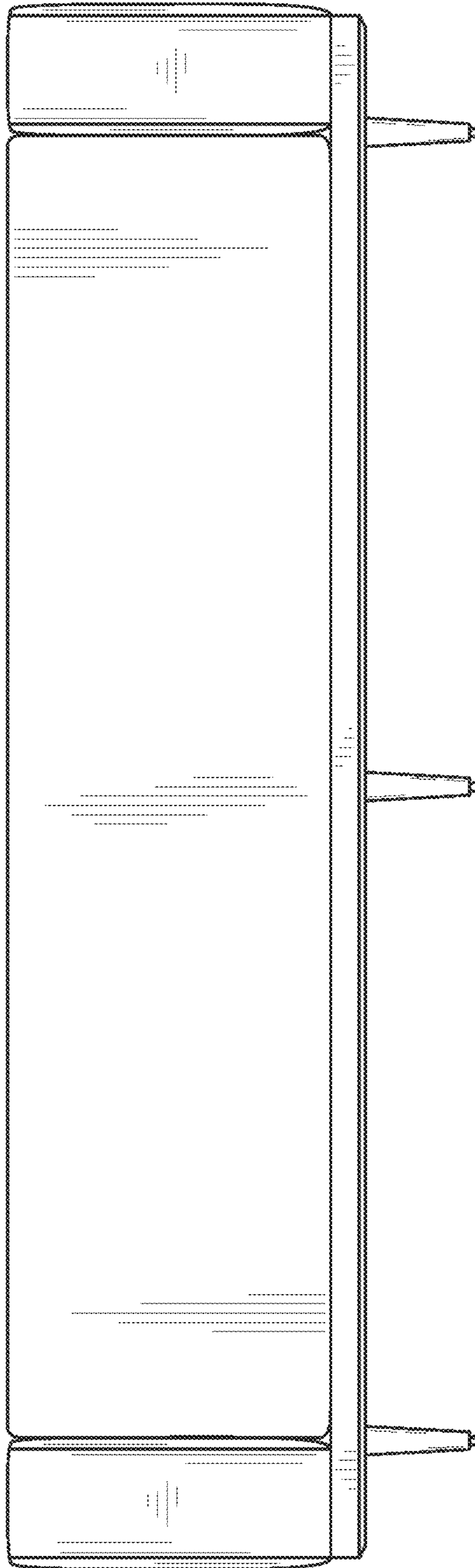


FIG. 3

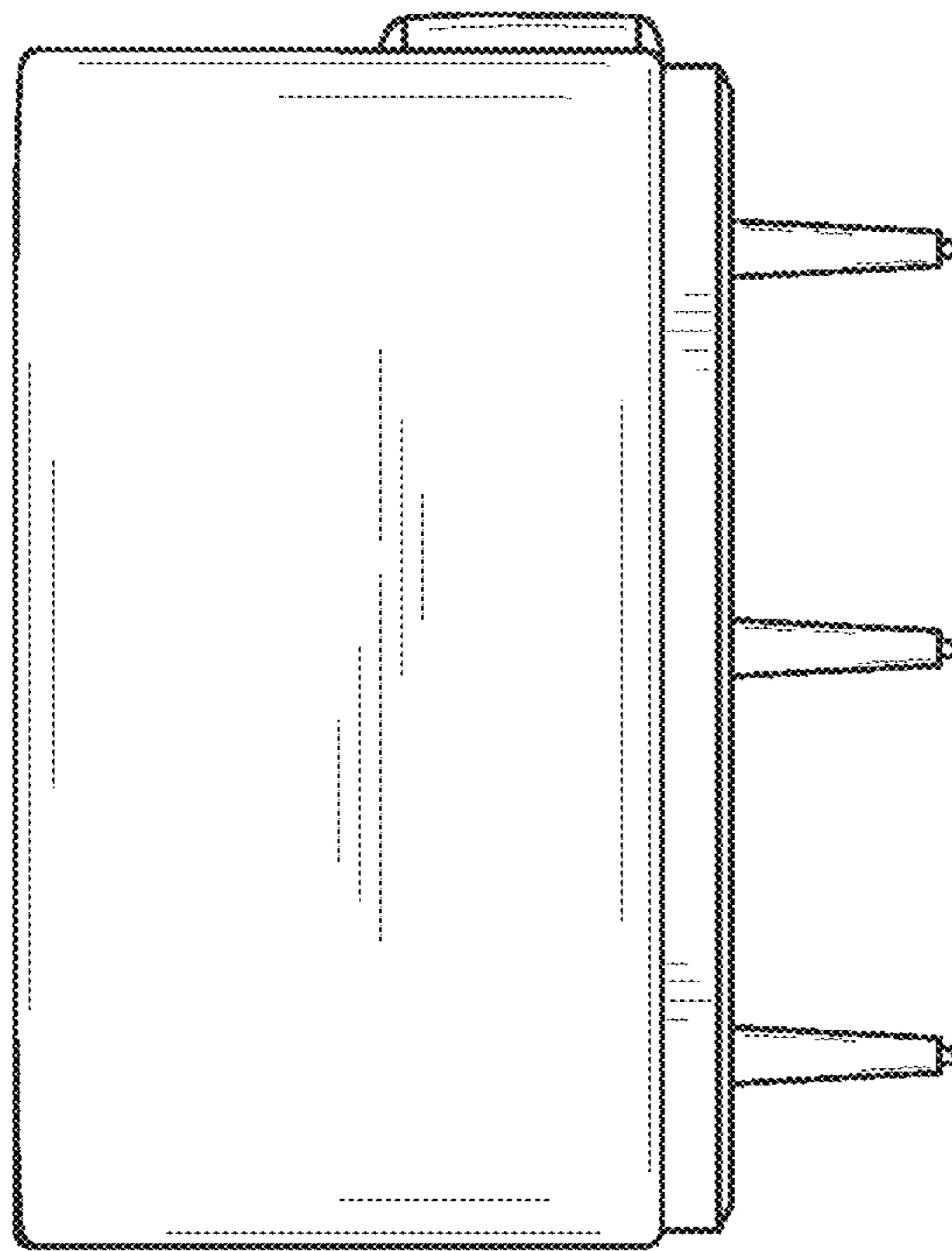


FIG. 4

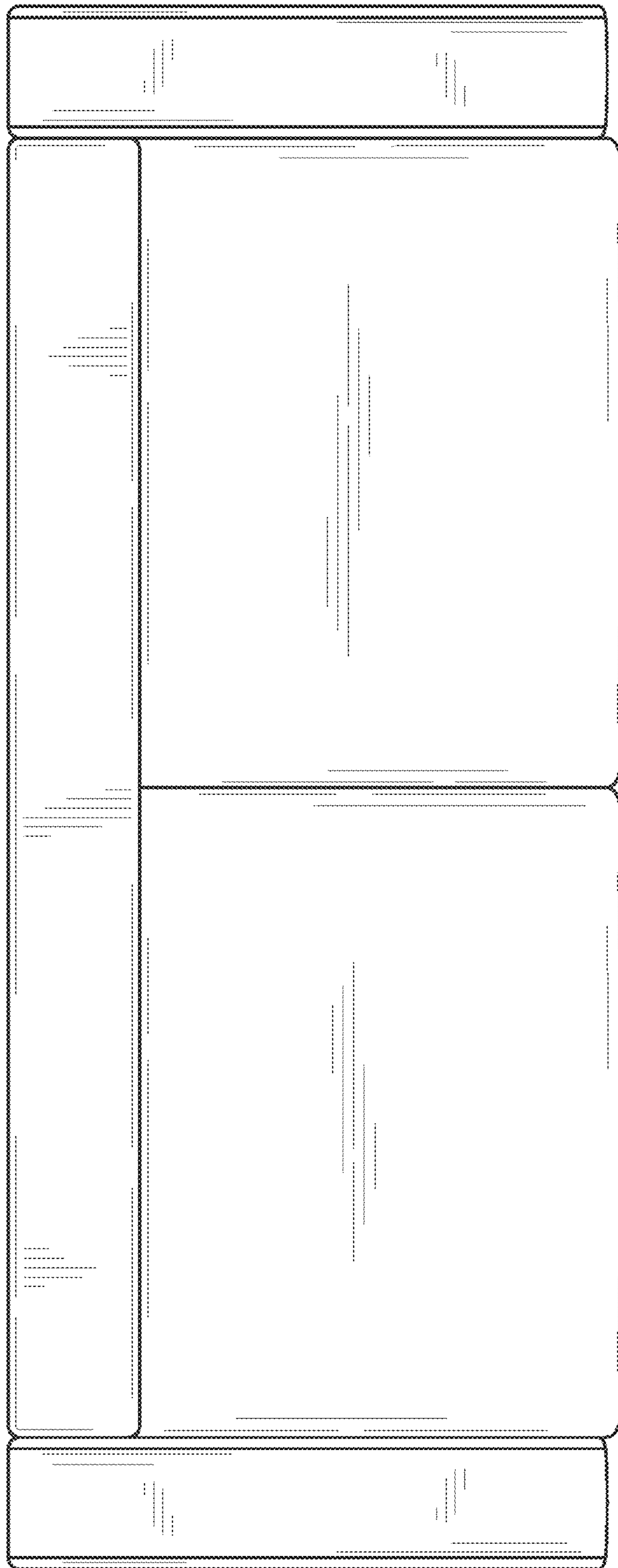


FIG. 5

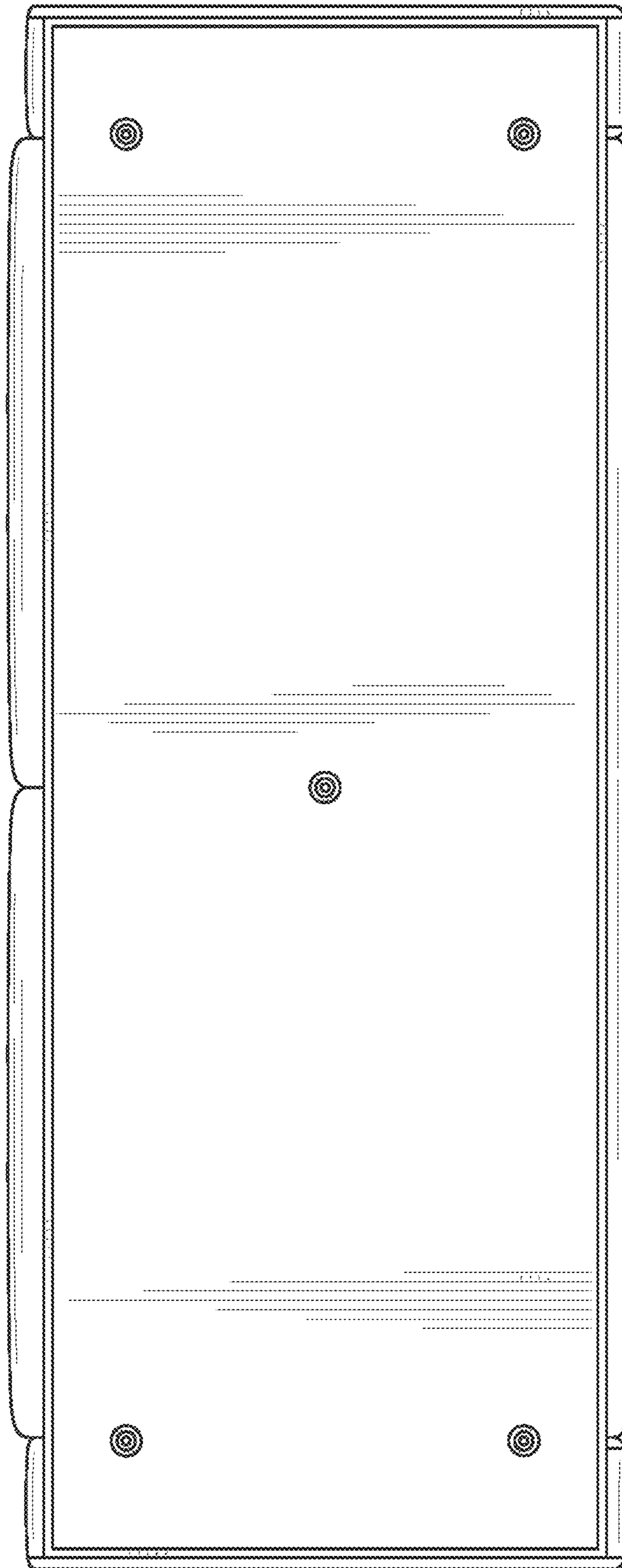


FIG. 6