



US00D954460S

(12) **United States Design Patent**
Hendifar

(10) **Patent No.:** **US D954,460 S**
(45) **Date of Patent:** **** Jun. 14, 2022**

(54) **BENCH**

(71) Applicant: **Apparatus LLC**, New York, NY (US)
(72) Inventor: **Gabriel Hendifar**, New York, NY (US)
(73) Assignee: **APPARATUS LLC**, New York, NY (US)

(**) Term: **15 Years**

(21) Appl. No.: **29/652,931**

(22) Filed: **Jan. 13, 2021**

(51) **LOC (13) Cl.** **06-01**

(52) **U.S. Cl.**
USPC **D6/379**

(58) **Field of Classification Search**
USPC D6/334, 349, 355, 370, 374, 379, 380
CPC A47C 19/021; A47C 3/12; A47C 3/14;
A47C 15/002; A47C 17/02
See application file for complete search history.

(56) **References Cited**

U.S. PATENT DOCUMENTS

| | | | | | |
|-----------|-----|---------|------------|-------|----------------------|
| 1,768,435 | A * | 6/1930 | Bradshaw | | A47C 19/021 5/131 |
| D289,347 | S * | 4/1987 | Halme | | D6/373 |
| D347,529 | S * | 6/1994 | Hachenberg | | D6/334 |
| D371,012 | S * | 6/1996 | Klein | | D6/373 |
| D409,409 | S * | 5/1999 | Muller | | D6/379 |
| D434,576 | S * | 12/2000 | Manoukian | | D6/370 |
| D521,763 | S * | 5/2006 | Wilmotte | | D6/349 |
| D686,009 | S * | 7/2013 | Mari | | D6/379 |
| D724,342 | S * | 3/2015 | Pesso | | D6/374 |
| D836,361 | S * | 12/2018 | Starck | | D6/379 |
| D871,792 | S * | 1/2020 | Citterio | | D6/380 |
| D903,362 | S * | 12/2020 | Jones | | D6/334 |
| D928,526 | S * | 8/2021 | Huang | | D6/380 |
| D936,386 | S * | 11/2021 | Lykke | | D6/379 |
| D946,921 | S * | 3/2022 | Lithgow | | D6/379 |

OTHER PUBLICATIONS

“Kinzie Upholstered Bench” Aug. 28, 2018, allmodern.com, site visited Apr. 9, 2022 <https://www.allmodern.com/AllModern--Kinzie-Upholstered-Bench-X114639847-L256-K~A000469625.html?refid=GX434057919760-A000469625_909368829&device=c&ptid=940818759020&targetid=pla-940818759020&network=g&ireid=15663128> <8&mktcd=GXP&mktcm=442725676&mktst=98171672062&mktcr=434057919760&mkts=%7Bsk%3A%7D&PiID%5B%5D=909368829&gclid=EAIalQobChMII6W8p-qH9wIVFI3ICh22KQGcEAKYASABEgJb7fD_BwE> (Year: 2018).*

* cited by examiner

Primary Examiner — Kevin K Rudzinski

Assistant Examiner — Paul D Bohannon

(74) *Attorney, Agent, or Firm* — Gottlieb, Rackman & Reisman, PC

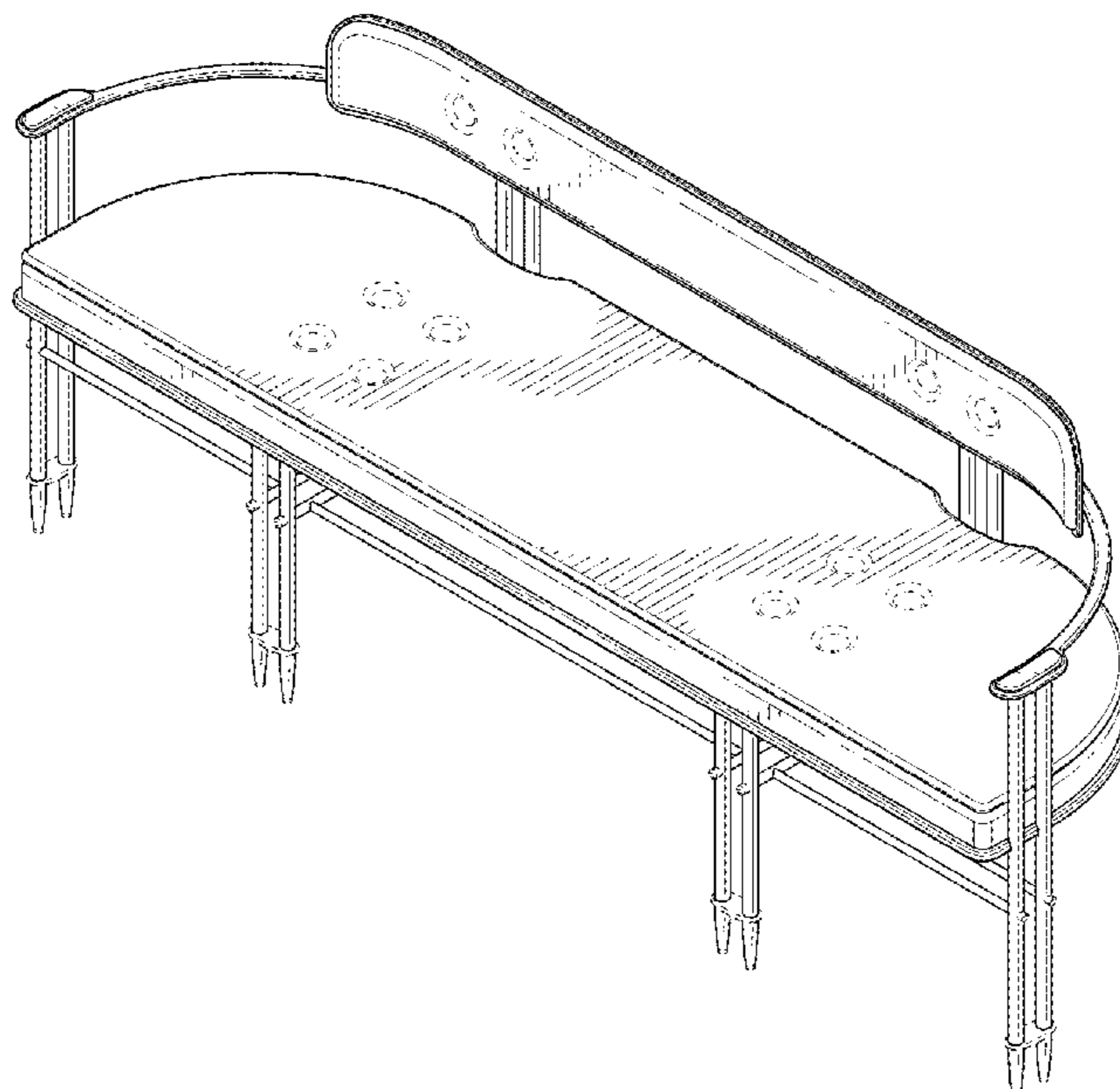
(57) **CLAIM**

The ornamental design for a bench, as shown and described.

DESCRIPTION

FIG. 1 is a front top perspective view of a bench showing my new design;
FIG. 2 is a front elevational view of FIG. 1;
FIG. 3 is a rear elevational view of FIG. 1;
FIG. 4 is a left side elevational view of FIG. 1;
FIG. 5 is a right side elevational view of FIG. 1;
FIG. 6 is a top plan view of FIG. 1; and,
FIG. 7 is a bottom plan view of FIG. 1.
The broken lines shown in the drawings are included for the purpose of illustrating elements of the bench that form no part of the claimed design.

1 Claim, 7 Drawing Sheets



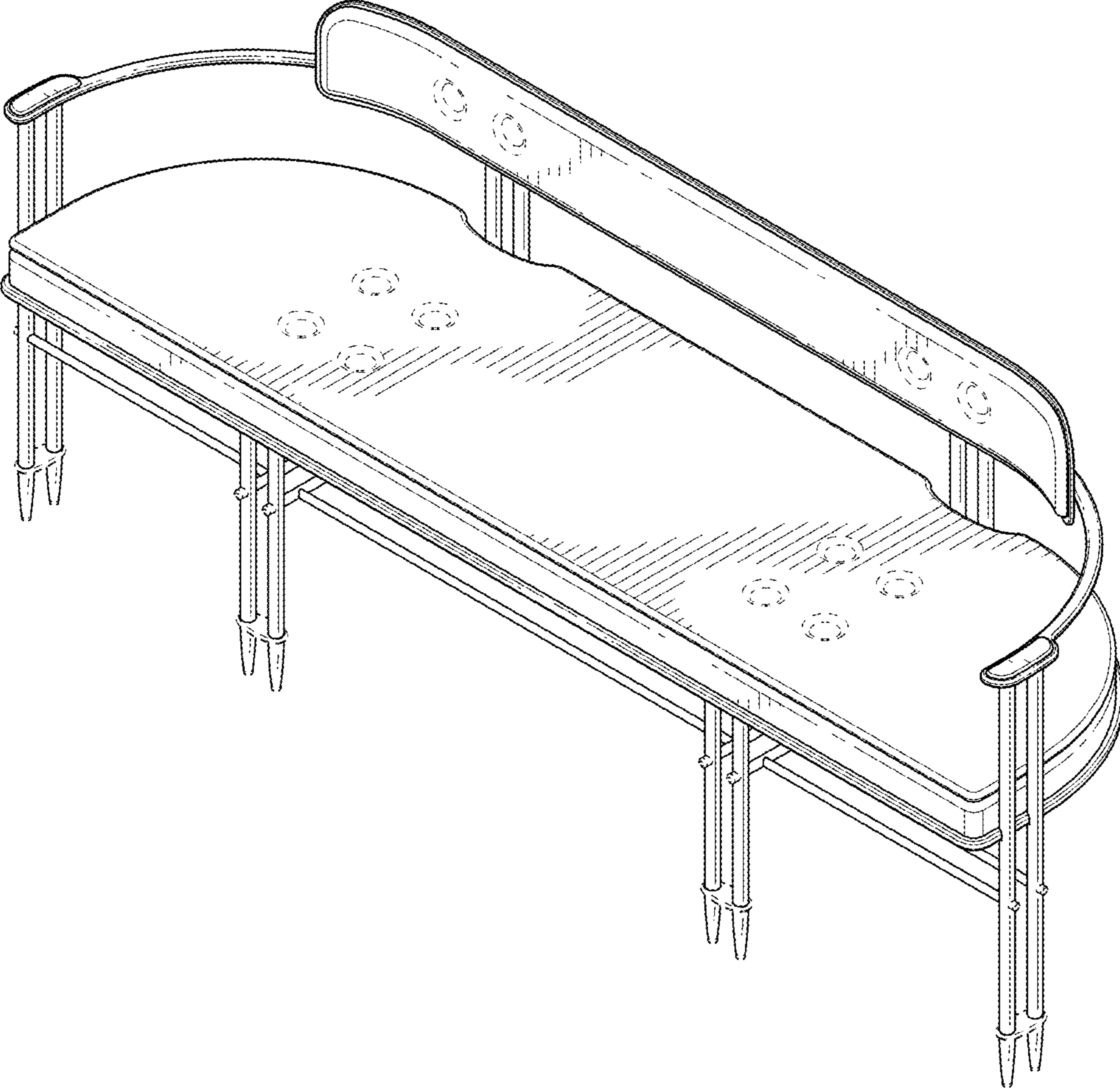


FIG. 1

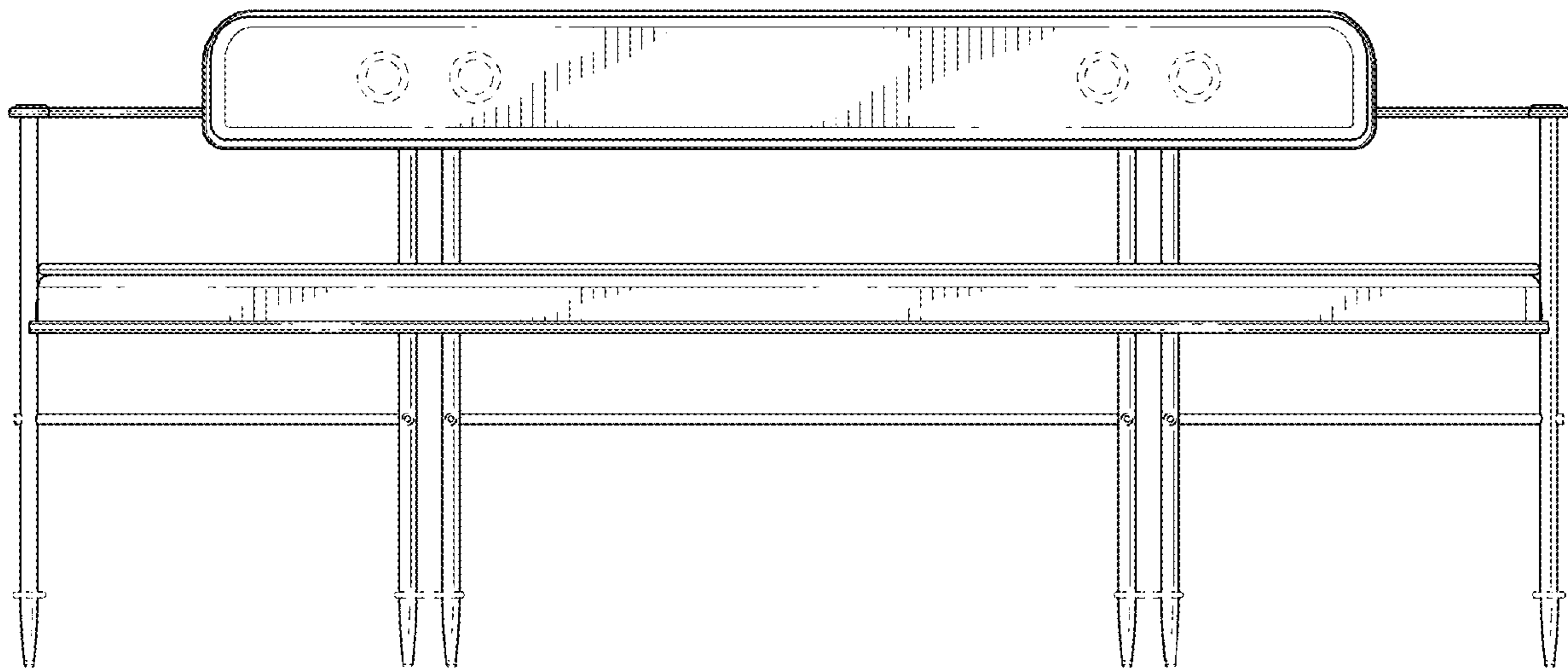


FIG. 2

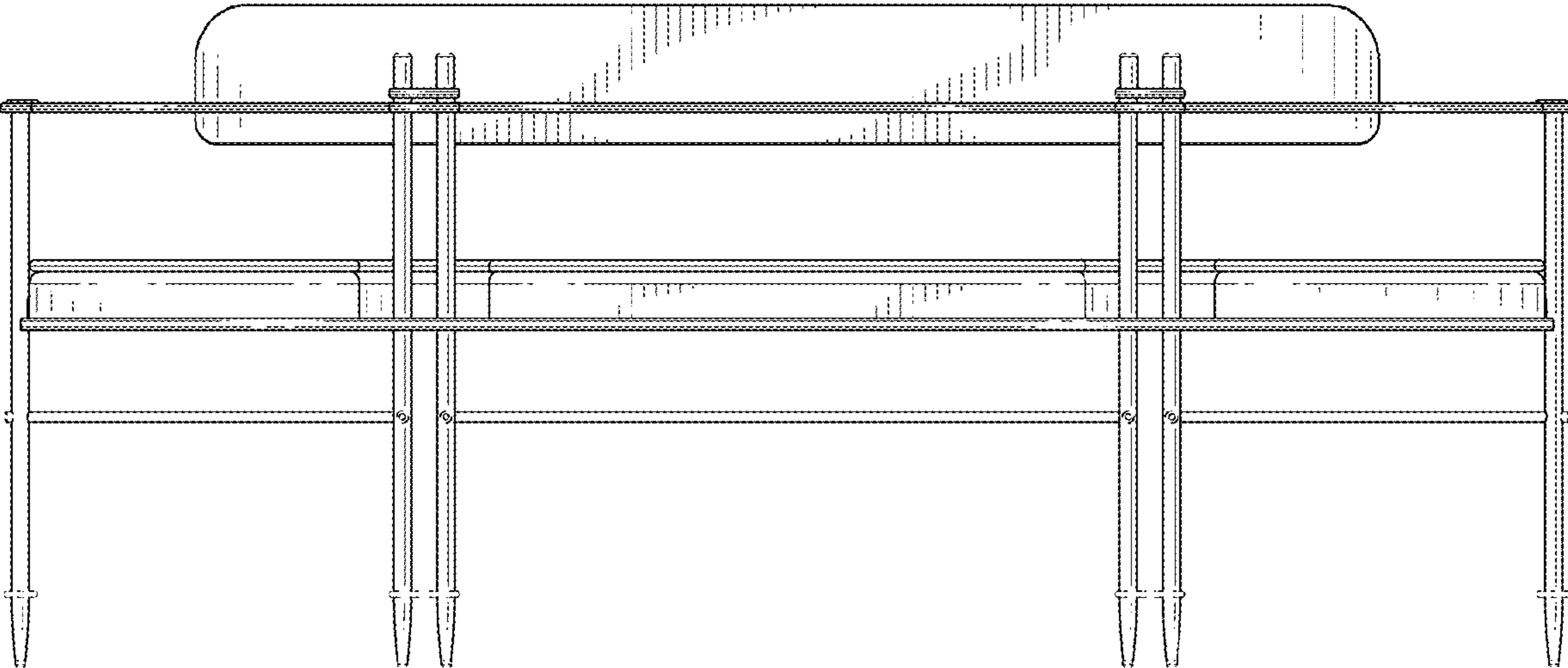


FIG.3

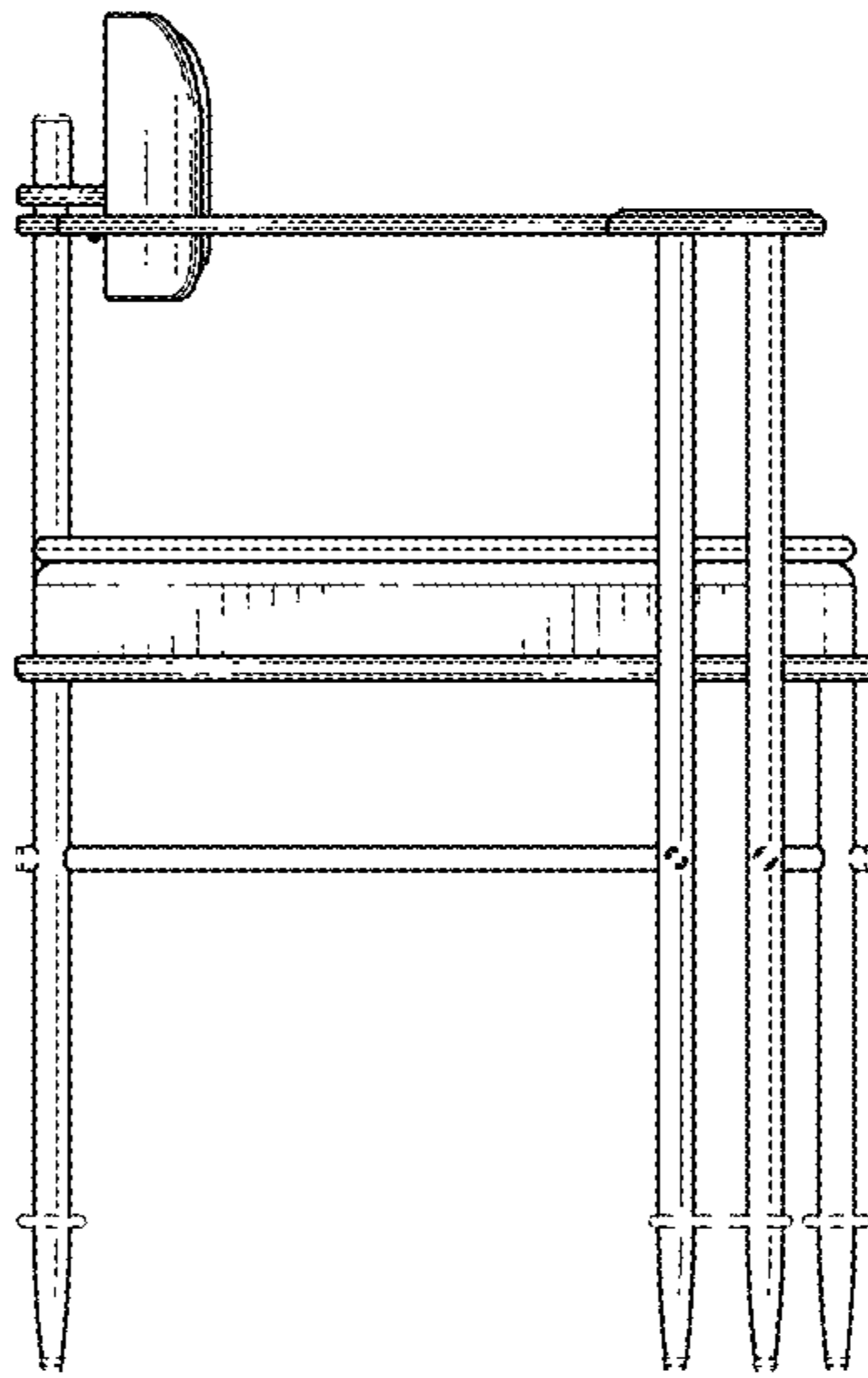


FIG.4

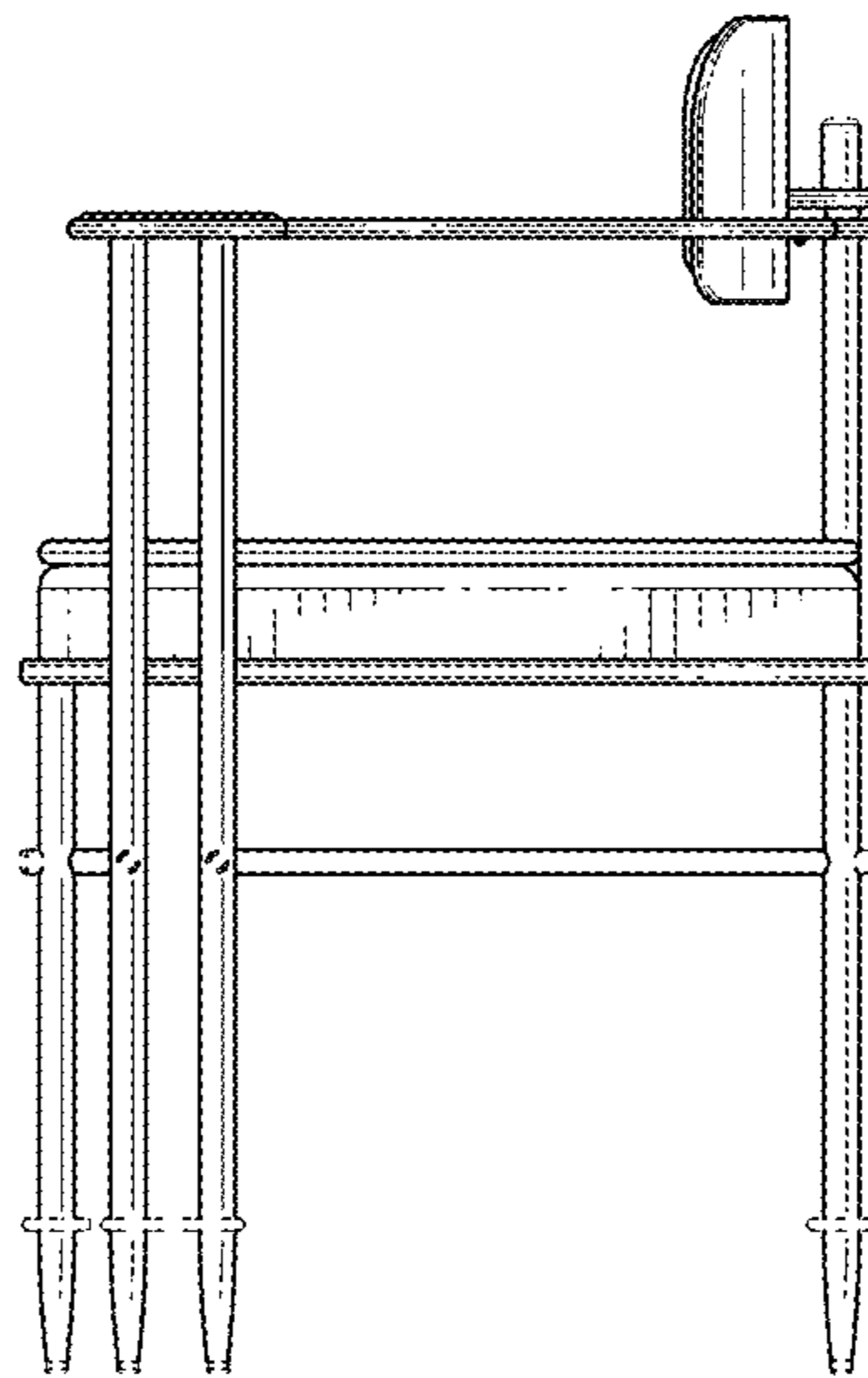


FIG. 5

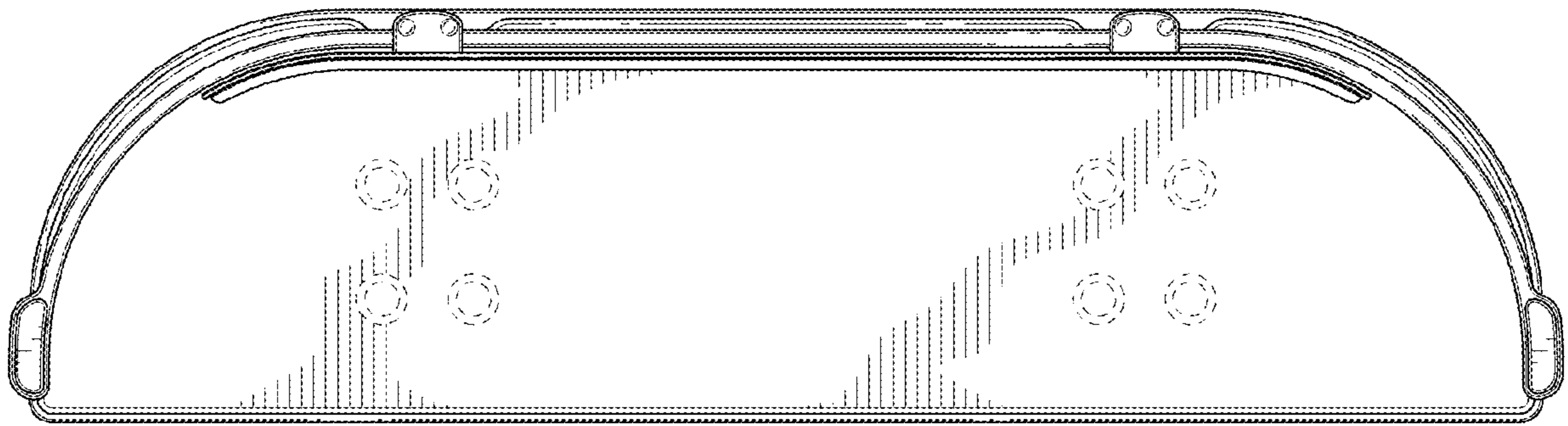


FIG. 6

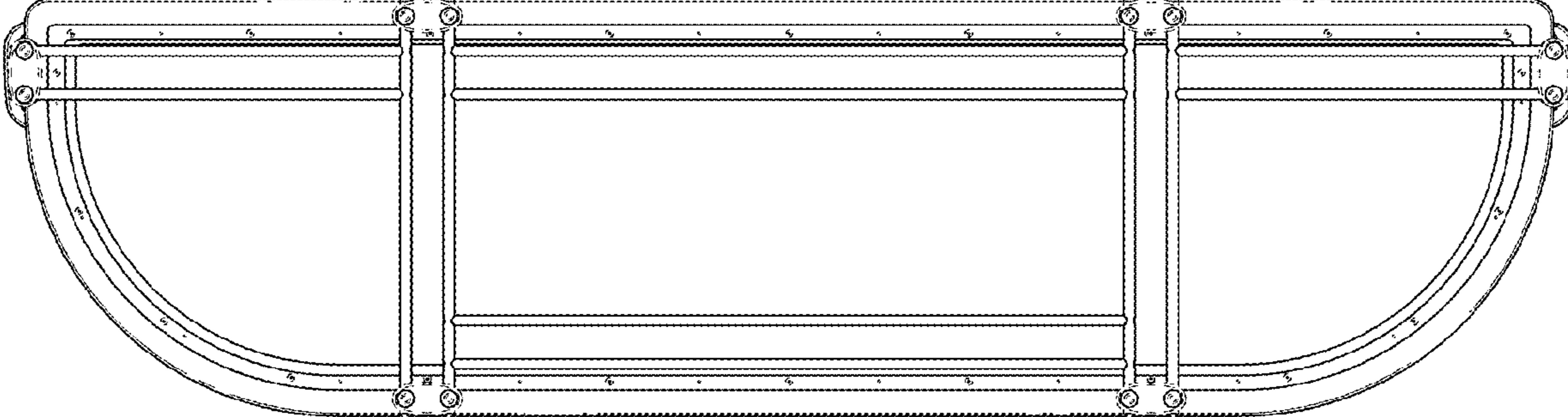


FIG.7