



US00D954456S

(12) **United States Design Patent**  
**Baton**

(10) **Patent No.:** **US D954,456 S**  
(45) **Date of Patent:** **\*\* Jun. 14, 2022**

(54) **FOLDING CHAIR**

(71) Applicant: **MINT AA INC. CORPORATION**,  
New York, NY (US)

(72) Inventor: **Christopher Baton**, New York, NY  
(US)

(73) Assignee: **MINT AA INC. CORPORATION**,  
New York, NY (US)

(\*\*) Term: **15 Years**

(21) Appl. No.: **29/801,231**

(22) Filed: **Jul. 28, 2021**

(51) **LOC (13) Cl.** ..... **06-01**

(52) **U.S. Cl.**  
USPC ..... **D6/368**

(58) **Field of Classification Search**  
USPC ..... D6/335, 367, 368, 716, 716.4, 362;  
D21/521

CPC .... A47B 5/00; A47C 1/02; A47C 1/14; A47C  
1/03244; A47C 1/032; A47C 3/18; A47C  
4/20; A47C 4/28; A47C 4/30; A47C 4/42;  
A47C 4/46; A47C 4/54; A47C 4/286;  
A47C 7/06; A47C 7/24; A47C 7/66;  
A47C 7/68; A47C 7/62; A47C 7/624;  
A47C 7/622; A47C 7/407; A47C 7/425;  
A47C 9/06; A47C 9/00; A47C 9/10;  
A47C 9/105; A47C 11/00; A47C 11/005;  
A47C 15/00; A47C 21/00; A47C 31/00;  
A47C 4/02; A47C 1/143; A47C 4/10;  
A47C 5/10; A47C 7/46; A47C 7/282;  
A47C 7/543; A47C 31/023; A01M 31/00;  
A01M 31/02; A01M 31/025; A45F 3/22;  
A45F 3/24; A47G 9/06; A61G 7/10;  
A63B 63/00; B60N 2/04; B25H 1/14;  
B25H 1/12; B25H 1/04; E04H 15/30;  
F16M 11/22; F42B 12/38; F41A 23/14;  
F41A 23/16; F41A 23/18; F41C 27/00;  
Y10S 135/901

See application file for complete search history.

(56) **References Cited**

U.S. PATENT DOCUMENTS

2,752,929 A \* 7/1956 Berger ..... A47C 7/66  
135/120.2  
D494,769 S \* 8/2004 Vigneaud ..... D6/368  
6,976,737 B1 \* 12/2005 Dandolo ..... A47C 31/023  
297/452.59  
7,753,063 B1 \* 7/2010 Laws ..... A47C 7/66  
135/117  
D737,066 S \* 8/2015 Lovley, II ..... D6/368  
D752,890 S \* 4/2016 Akkad ..... D6/368

(Continued)

OTHER PUBLICATIONS

“Folding Zero Gravity Recliner Patio Lounge Chair w/ Canopy, Side Tray” Feb. 20, 2017, bestchoiceproducts.com, site visited Apr. 15, 2022 <[https://bestchoiceproducts.com/products/folding-zero-gravity-recliner-lounge-chair-w-canopy-cup-holder?variant=12539979464782&utm\\_source=google&utm\\_medium=cpc&utm\\_campaign=Smart+Shopping+-+Top+Sellers+Patio&gclid=EAAlQobChMzPaV76-W9wIVE7jICh2VcA7EEAsYBiABEGK8h\\_D\\_BwE](https://bestchoiceproducts.com/products/folding-zero-gravity-recliner-lounge-chair-w-canopy-cup-holder?variant=12539979464782&utm_source=google&utm_medium=cpc&utm_campaign=Smart+Shopping+-+Top+Sellers+Patio&gclid=EAAlQobChMzPaV76-W9wIVE7jICh2VcA7EEAsYBiABEGK8h_D_BwE)> (Year: 2017).\*

(Continued)

*Primary Examiner* — Kevin K Rudzinski  
*Assistant Examiner* — Paul D Bohannon

(57) **CLAIM**

The ornamental design for a folding chair, as shown and described.

**DESCRIPTION**

FIG. 1 is a perspective view of a folding chair showing my new design;  
FIG. 2 is another perspective view thereof;  
FIG. 3 is a front elevational view thereof;  
FIG. 4 is a rear elevational view thereof;  
FIG. 5 is a left side elevational view thereof;  
FIG. 6 is a right side elevational view thereof;  
FIG. 7 is a top plan view thereof; and,  
FIG. 8 is a bottom plan view thereof.

**1 Claim, 8 Drawing Sheets**



(56)

**References Cited**

U.S. PATENT DOCUMENTS

D856,694	S	*	8/2019	Shlomay	.....	D6/362
D859,020	S		9/2019	Bisaglia		
10,631,651	B1	*	4/2020	Hsu Besner	.....	A47C 1/143
D897,712	S		10/2020	Hu		
2014/0252817	A1	*	9/2014	Lovley, II	.....	A47C 7/66 297/184.15
2014/0306494	A1	*	10/2014	Frankel	.....	A47C 7/66 297/184.15
2017/0086587	A1	*	3/2017	Chen	.....	A47C 4/28
2019/0335704	A1	*	11/2019	Burkhart	.....	A01K 1/03

OTHER PUBLICATIONS

“Zero Gravity Folding Patio Lounge Beach Chairs w/ Canopy Magazine Cup Holder Awning—Grey” May 18, 2021, overstock.com, site visited Apr. 15, 2022 <<https://www.overstock.com/Home-Garden/Zero-Gravity-Folding-Patio-Lounge-Beach-Chairs-w-Canopy-Magazine-Cup-Holder-Awning/28534063/product.html?opre=1&option=50283970#reviewRegion>> (Year: 2021).\*

“Otis Folding Zero Gravity Chair with Sunshade And Drink Tray (Set of 2)” Apr. 28, 2017, wayfair.com, site visited Apr. 15, 2022 <<https://www.wayfair.com/outdoor/pdp/coleman-36-qt-chest-cooler-w002046069.html>> (Year: 2017).\*

Kitts, Kayla, “The Best Beach Chairs for Every Lounger” Jul. 5, 2021, hgtv.com, site visited Apr. 15, 2022 <<https://www.hgtv.com/lifestyle/travel/best-beach-chairs>> (Year: 2021).\*

\* cited by examiner



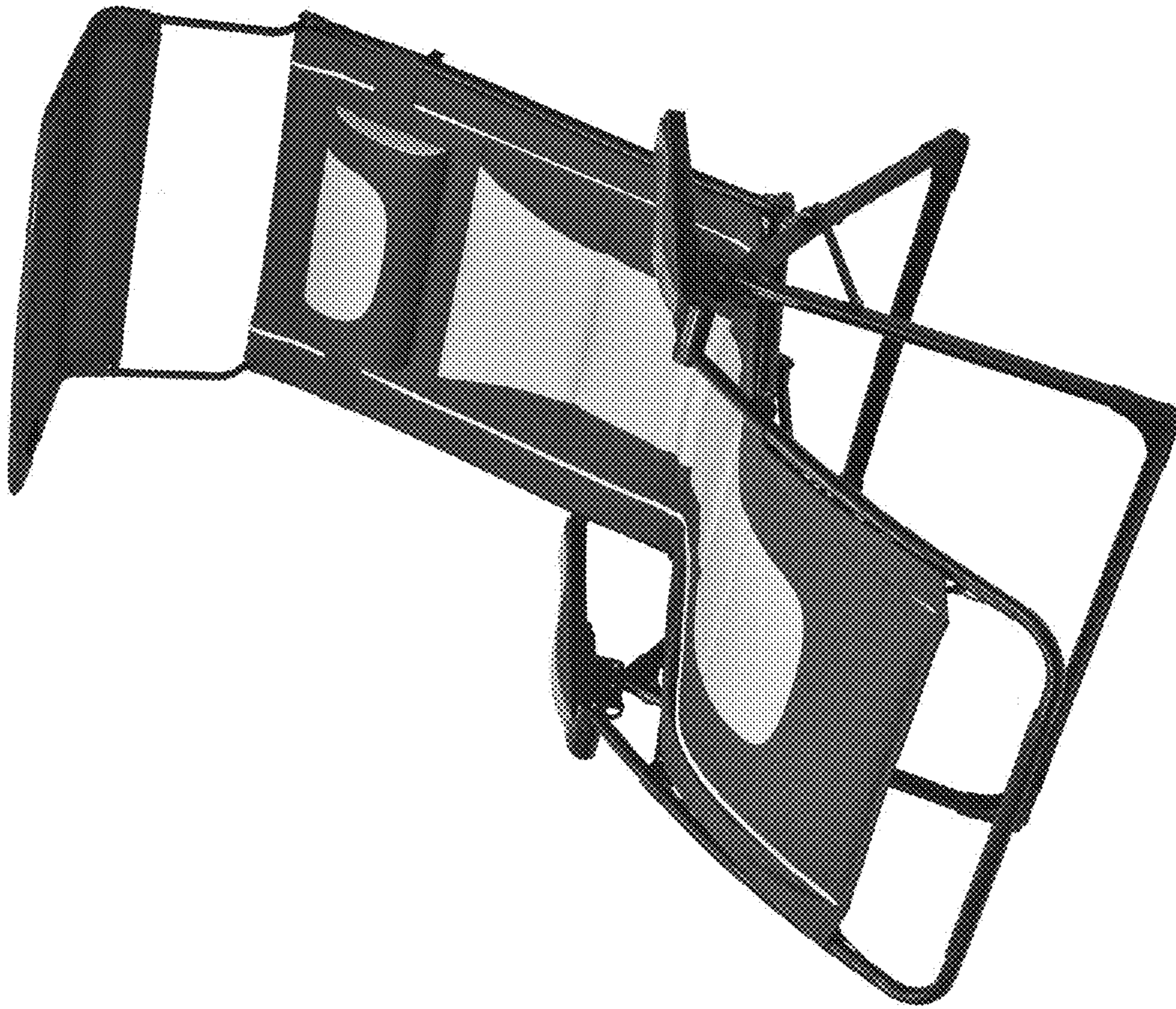


FIG. 1

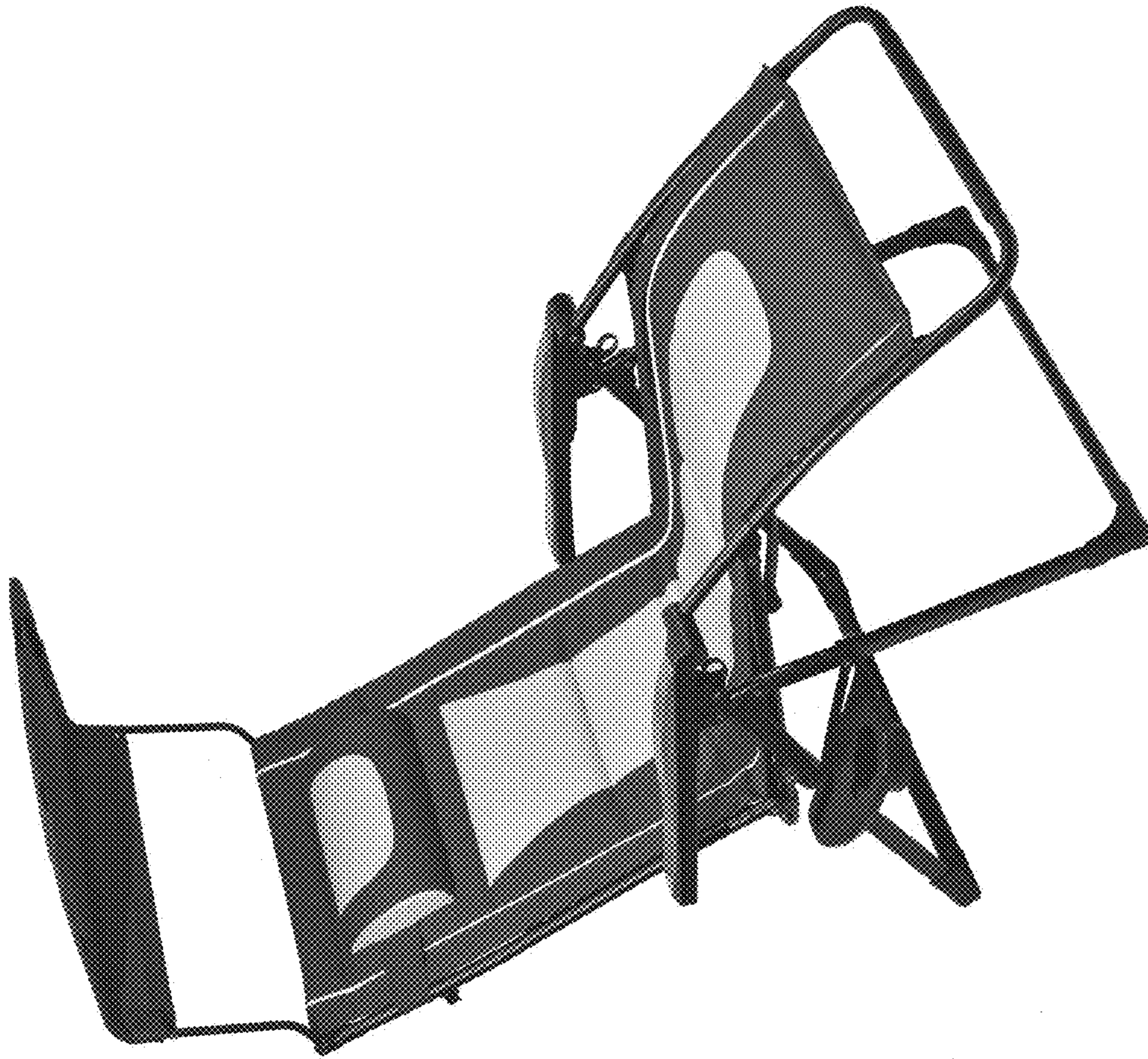


FIG. 2



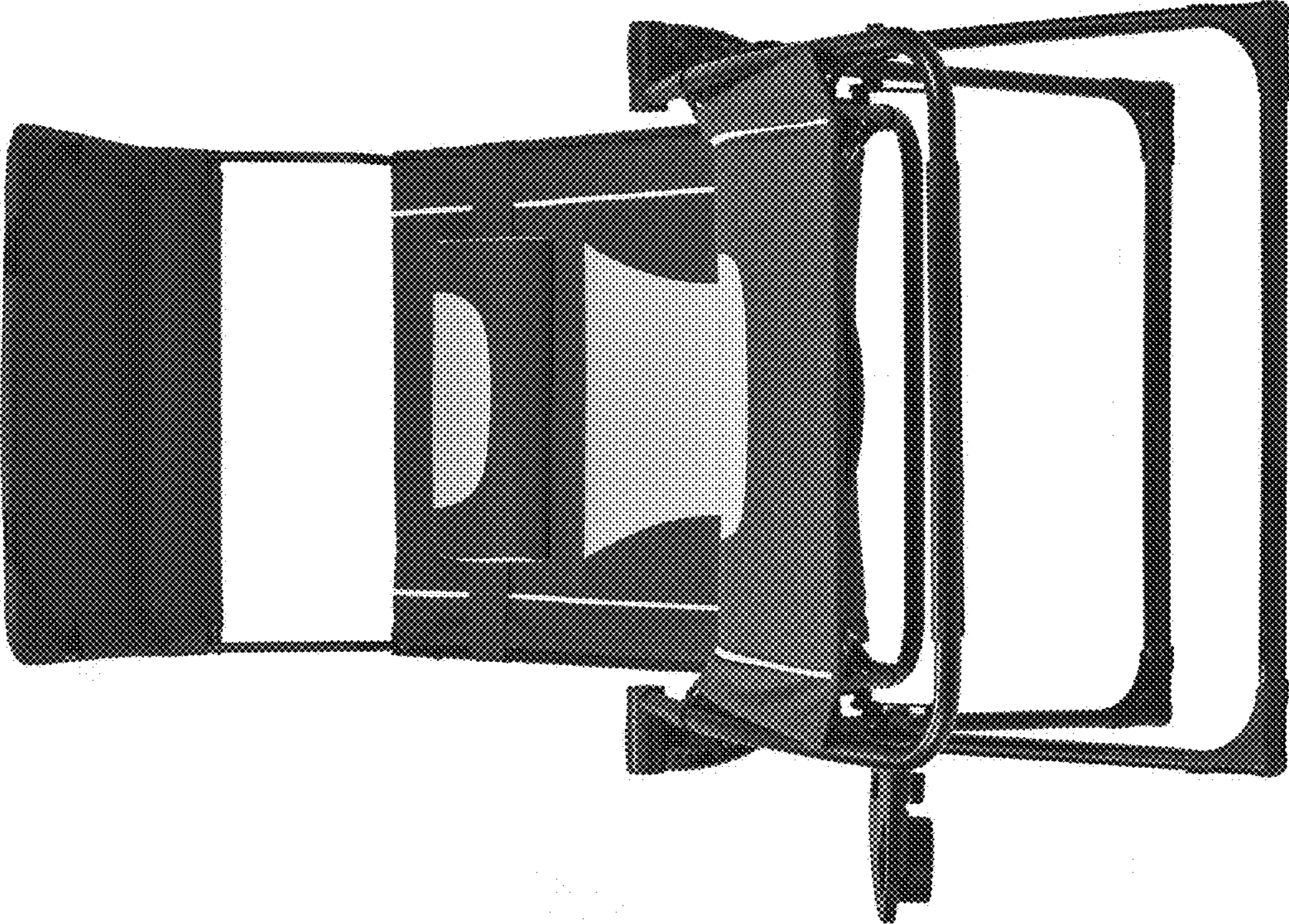


FIG. 3



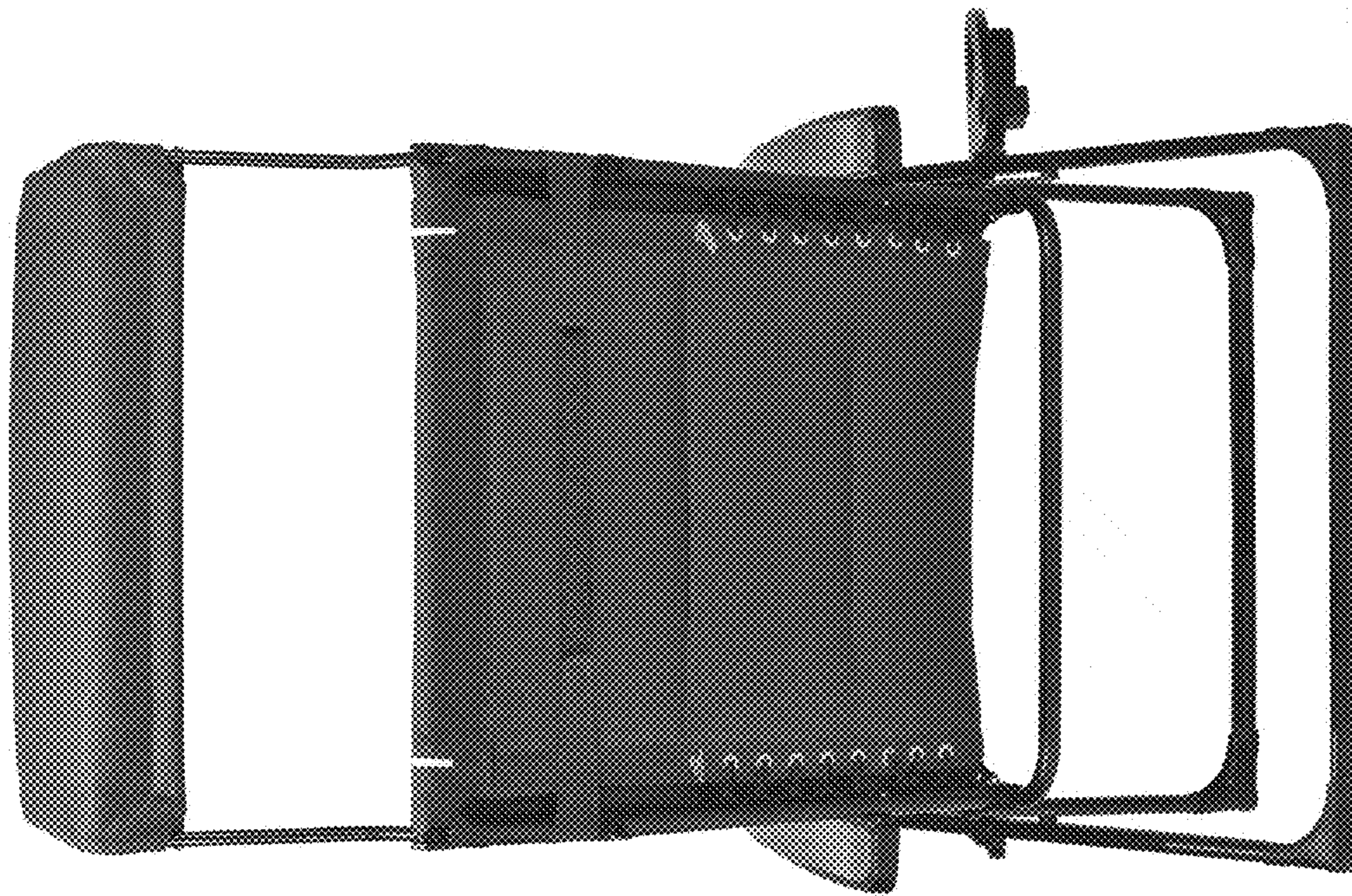


FIG. 4

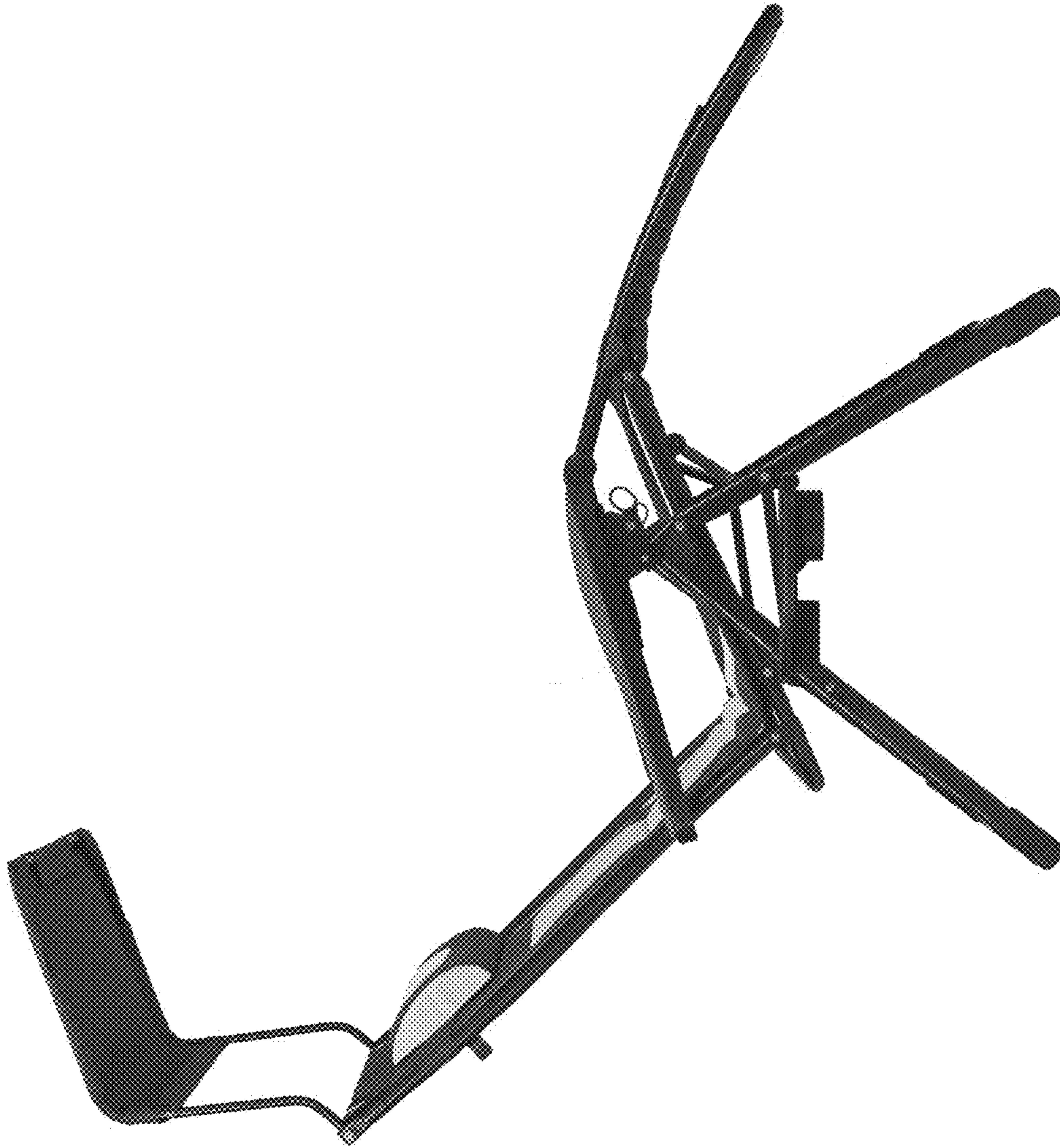


FIG. 5



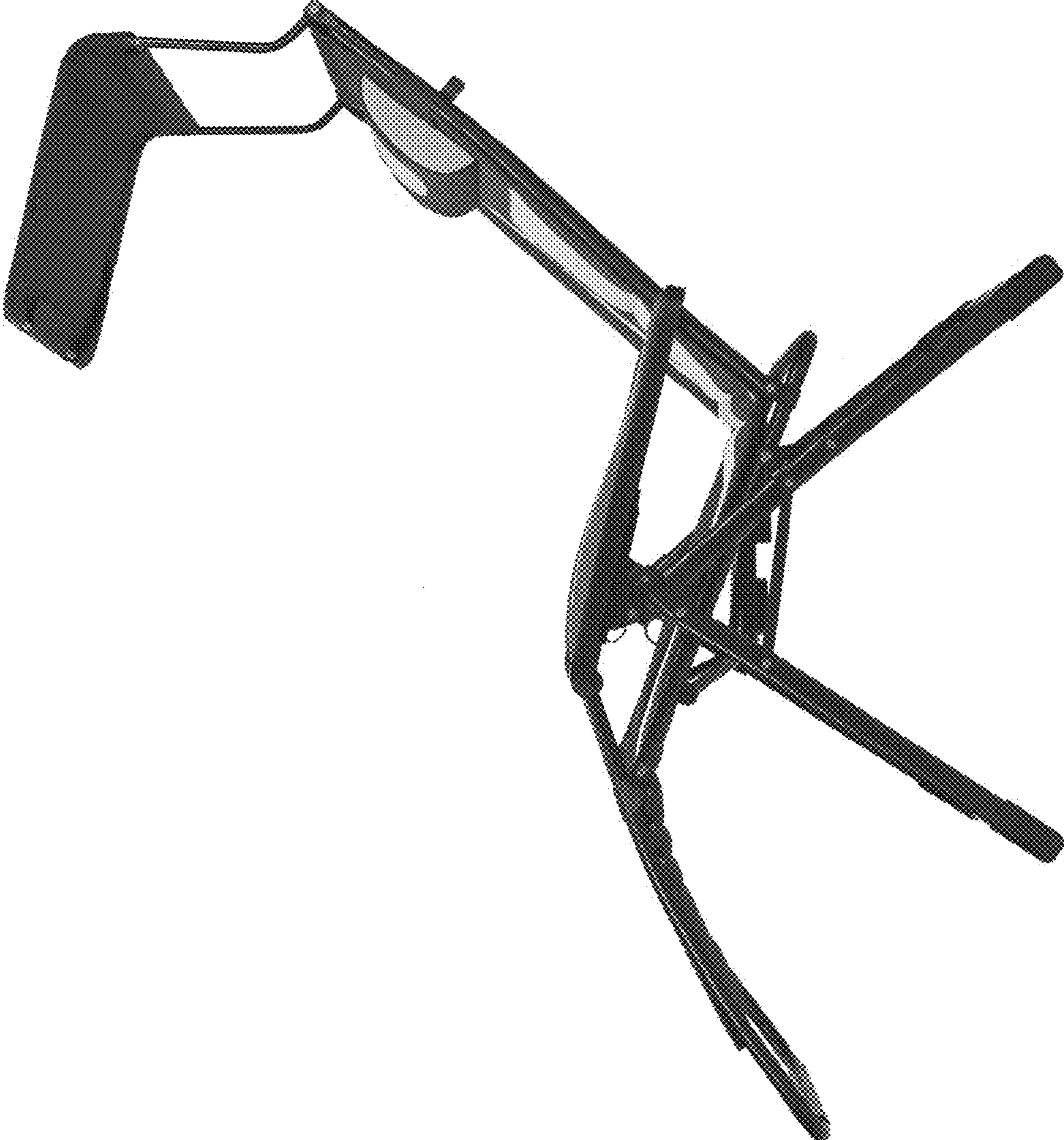


FIG. 6



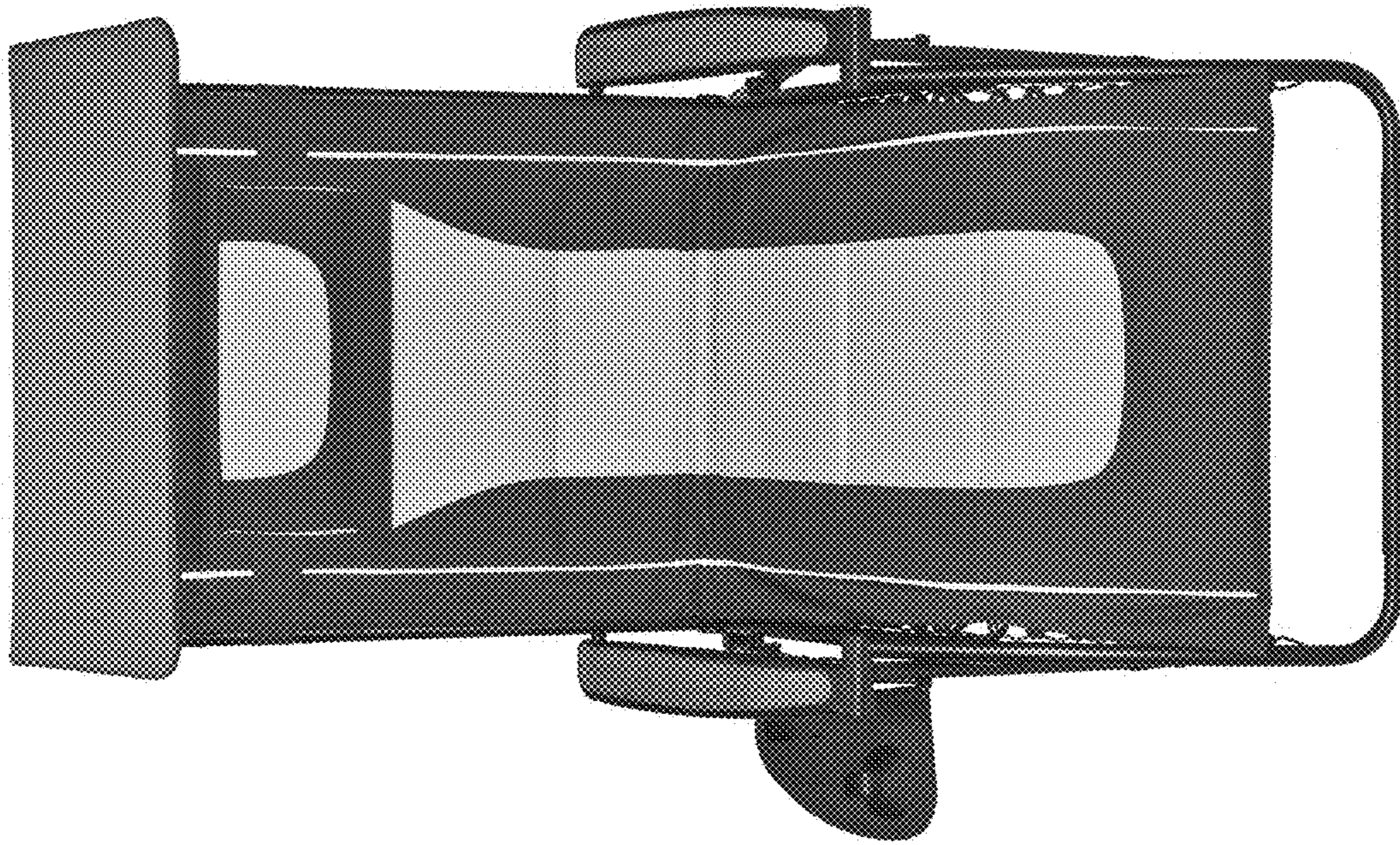


FIG. 7



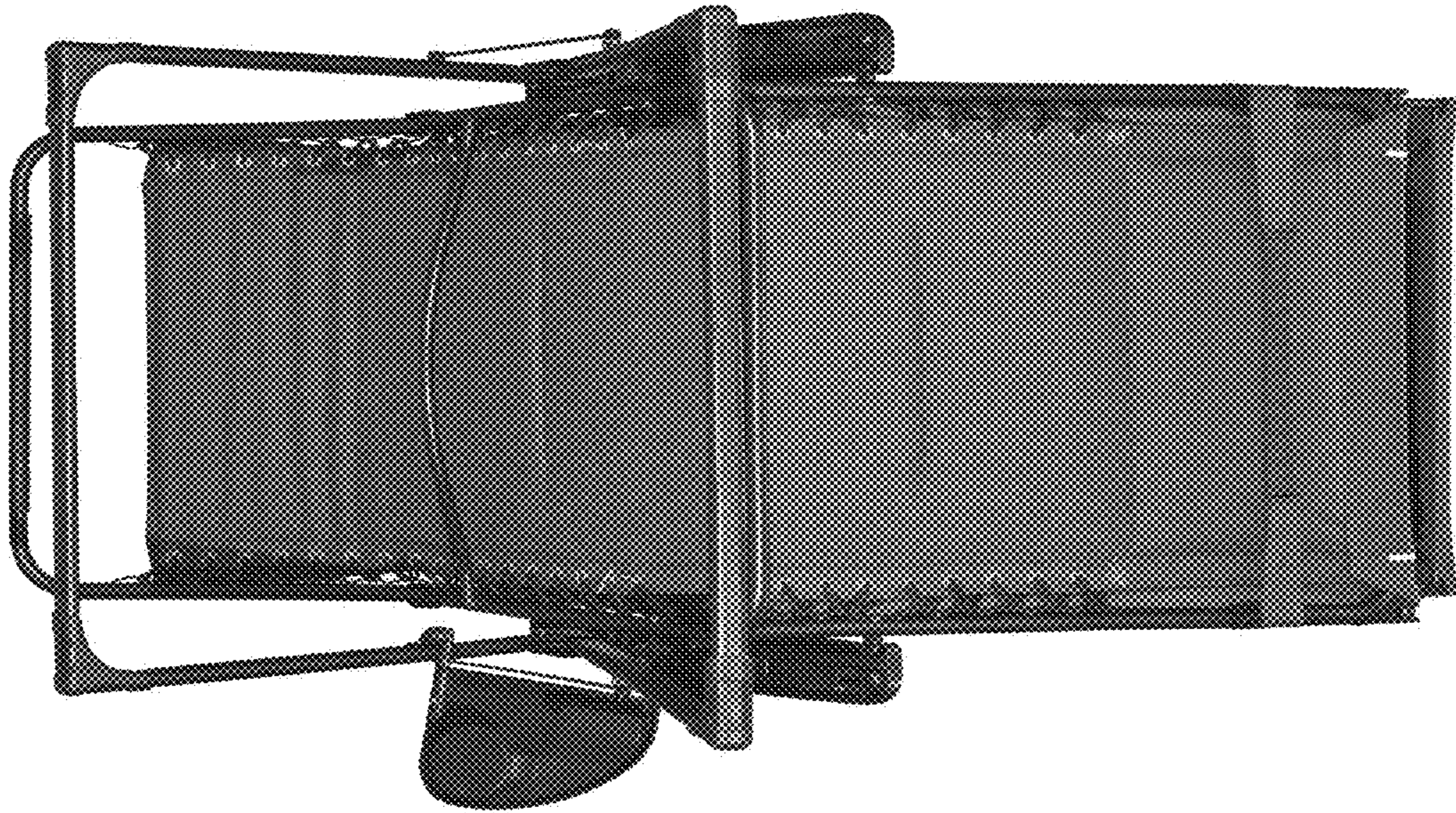


FIG. 8