



US00D954451S

(12) **United States Design Patent**
Adkison

(10) **Patent No.:** **US D954,451 S**
(45) **Date of Patent:** **** Jun. 14, 2022**

(54) **MIRROR WITH SHELVES**

FOREIGN PATENT DOCUMENTS

(71) Applicant: **Acorn Engineering Company**, City Of Industry, CA (US)

GB 6133576 * 4/2021
GB 6133577 * 4/2021

(72) Inventor: **Christopher T. Adkison**, Ontario, CA (US)

OTHER PUBLICATIONS

(73) Assignee: **Acorn Engineering Company**, City of Industry, CA (US)

Wall Mirror Shelf [online], [site visited Jan. 26, 2022]. Available from internet, URL: <https://radwelldesigns.com/en/product/water-resistant-wall-mirror-shelf/> (Year: 2022).*

(Continued)

(**) Term: **15 Years**

Primary Examiner — Cynthia Ramirez

(21) Appl. No.: **29/756,335**

Assistant Examiner — Xavier Marti-Santos

(22) Filed: **Oct. 27, 2020**

(74) *Attorney, Agent, or Firm* — Eric J. Sosenko;

(51) **LOC (13) Cl.** **06-07**

Jonathan P. O'Brien; Honigman LLP

(52) **U.S. Cl.**

(57) **CLAIM**

USPC **D6/300**

The ornamental design for a mirror with shelves, as shown and described.

(58) **Field of Classification Search**

DESCRIPTION

USPC D6/300, 301, 302, 303, 304, 307, 308, D6/309, 310, 311, 312, 313, 314; D28/64.1-64.7; D11/79, 80, 89; D19/113, 114; D9/737

CPC A45D 42/00; A45D 42/10; A45D 42/16; A45D 42/20; A45D 42/24; A47G 1/00; A47G 1/02; A47G 1/04; A47G 1/0622; B60J 3/0282

See application file for complete search history.

FIG. 1 is a perspective view of a mirror with shelves showing my new design;

FIG. 2 is a front elevational view of the mirror with shelves seen in FIG. 1;

FIG. 3 is a rear elevational view of the mirror with shelves seen in FIG. 1;

FIG. 4 is a right side elevational view of the mirror with shelves seen in FIG. 1, the left side elevational view being a mirror image thereof;

FIG. 5 is a top plan view of the mirror with shelves seen in FIG. 1; and,

FIG. 6 is a bottom plan view of the mirror with shelves seen in FIG. 1.

In the drawings, the broken lines depict portions of the mirror with shelves that form no part of the claimed design. Shade lines, having a combination of long and short lines in the drawings, show contour and not surface ornamentation.

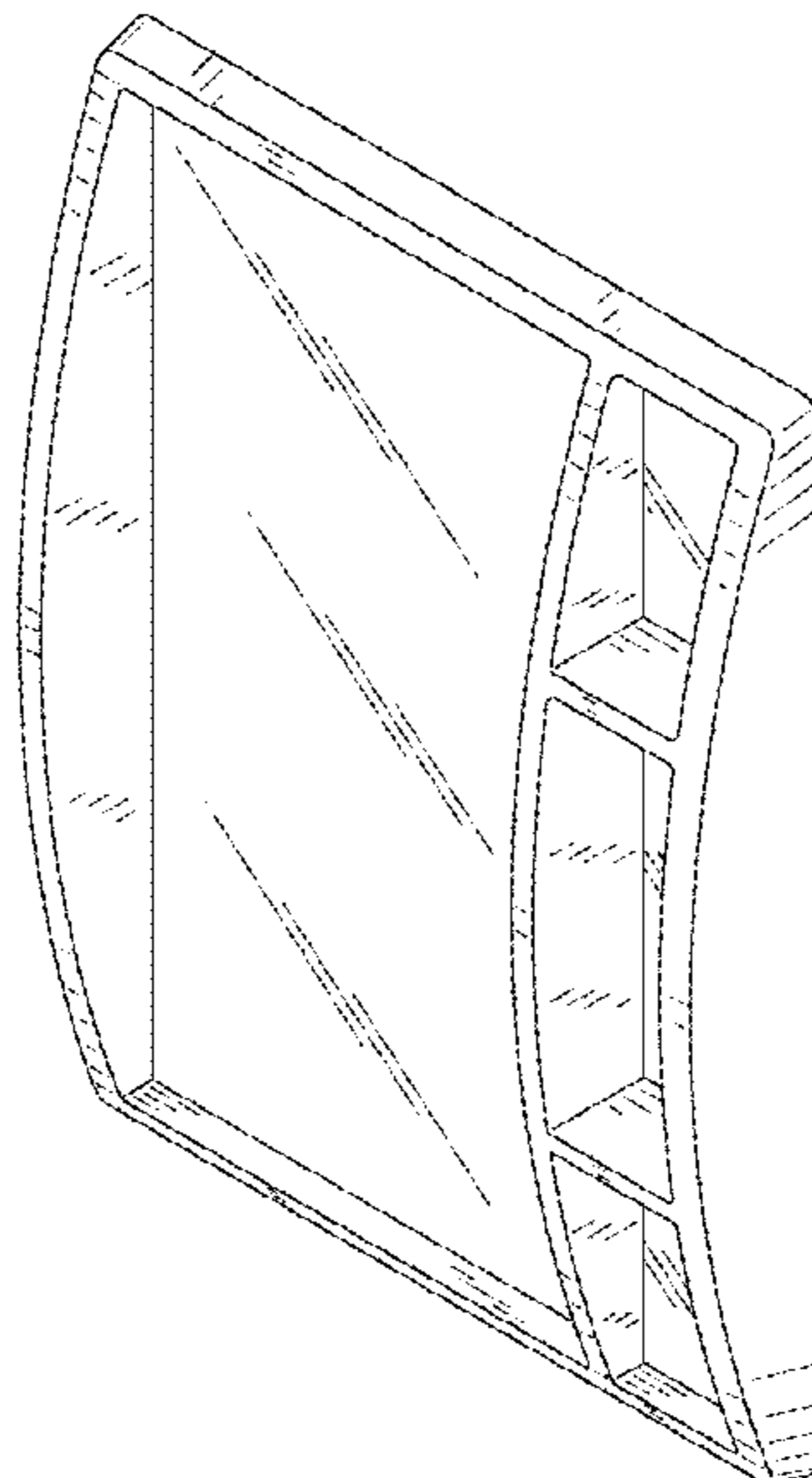
(56) **References Cited**

U.S. PATENT DOCUMENTS

D132,737 S *	6/1942	Marchand	D6/561
D255,306 S *	6/1980	Jacoby	D19/113
D458,038 S *	6/2002	Ueno	D6/302
D461,644 S *	8/2002	Ueno	D6/302
D529,300 S *	10/2006	Schwind	D6/302
D536,036 S *	1/2007	White	D19/113
D569,109 S *	5/2008	Svendsen	D6/300
D591,534 S *	5/2009	Fojtasek	D6/683.1

(Continued)

1 Claim, 5 Drawing Sheets



(56)

References Cited

U.S. PATENT DOCUMENTS

D617,118 S * 6/2010 Fojtasek D6/382
D767,409 S * 9/2016 Nickell D9/737
D817,396 S * 5/2018 Carvey D19/113

OTHER PUBLICATIONS

Industrial Style Metal Bathroom Mirror With Side Shelving Unit
[online], [site visited Jan. 26, 2022]. Available from internet, URL:
<<https://www.rocketstgeorge.co.uk/industrial-style-metal-bathroom-mirror-with-side-shelving-unit.html>> (Year: 2022).*

* cited by examiner

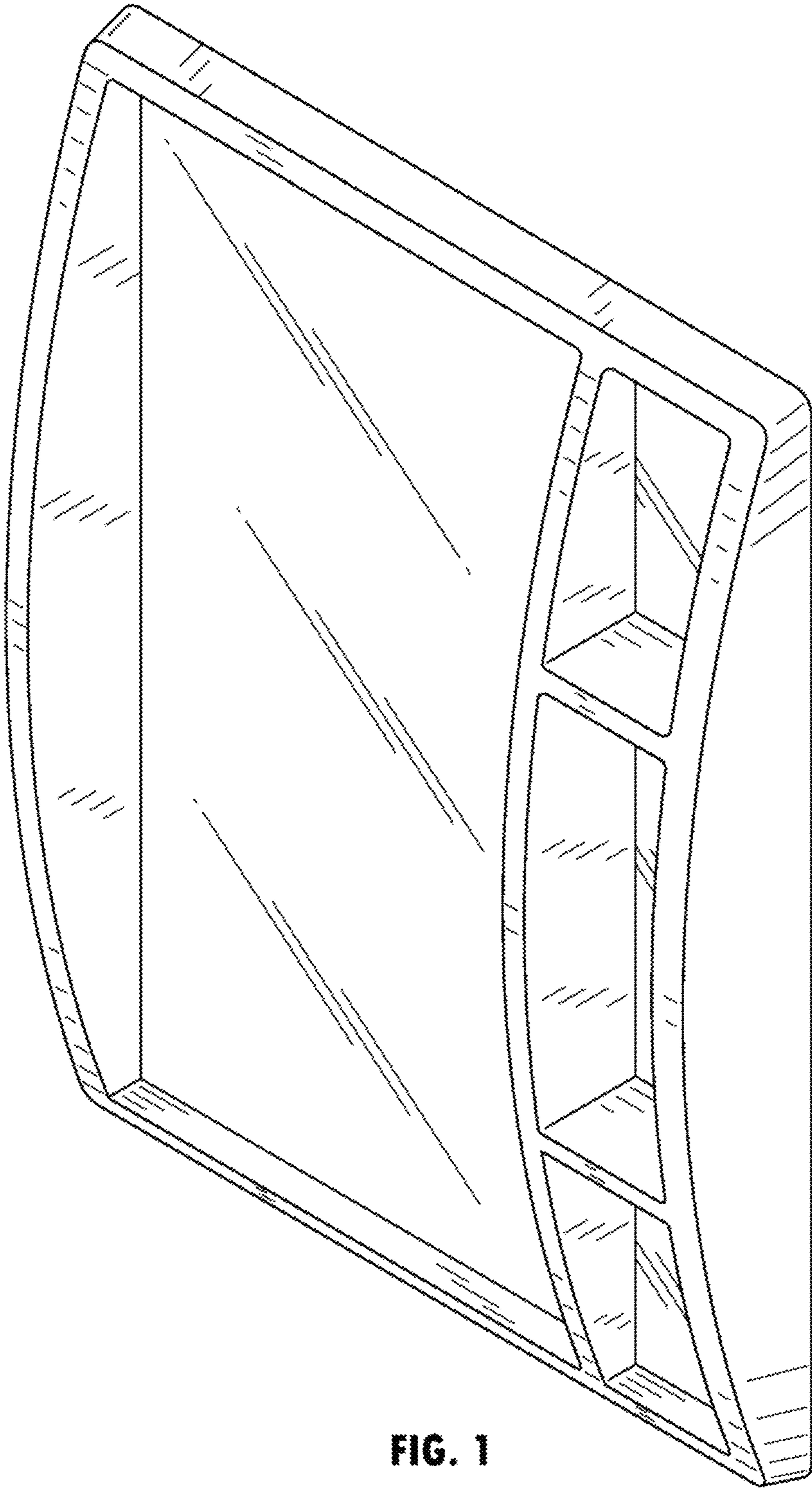


FIG. 1

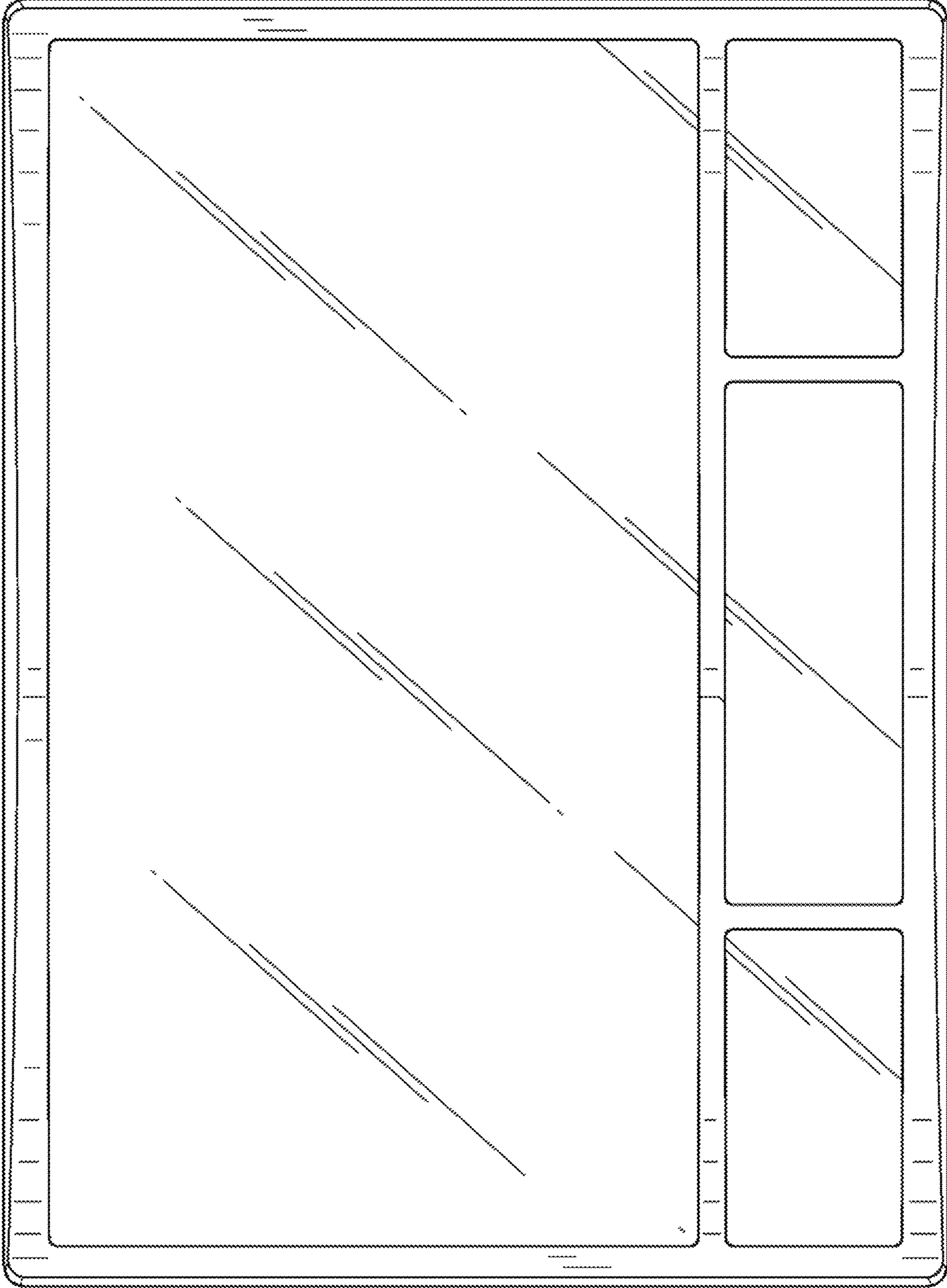


FIG. 2

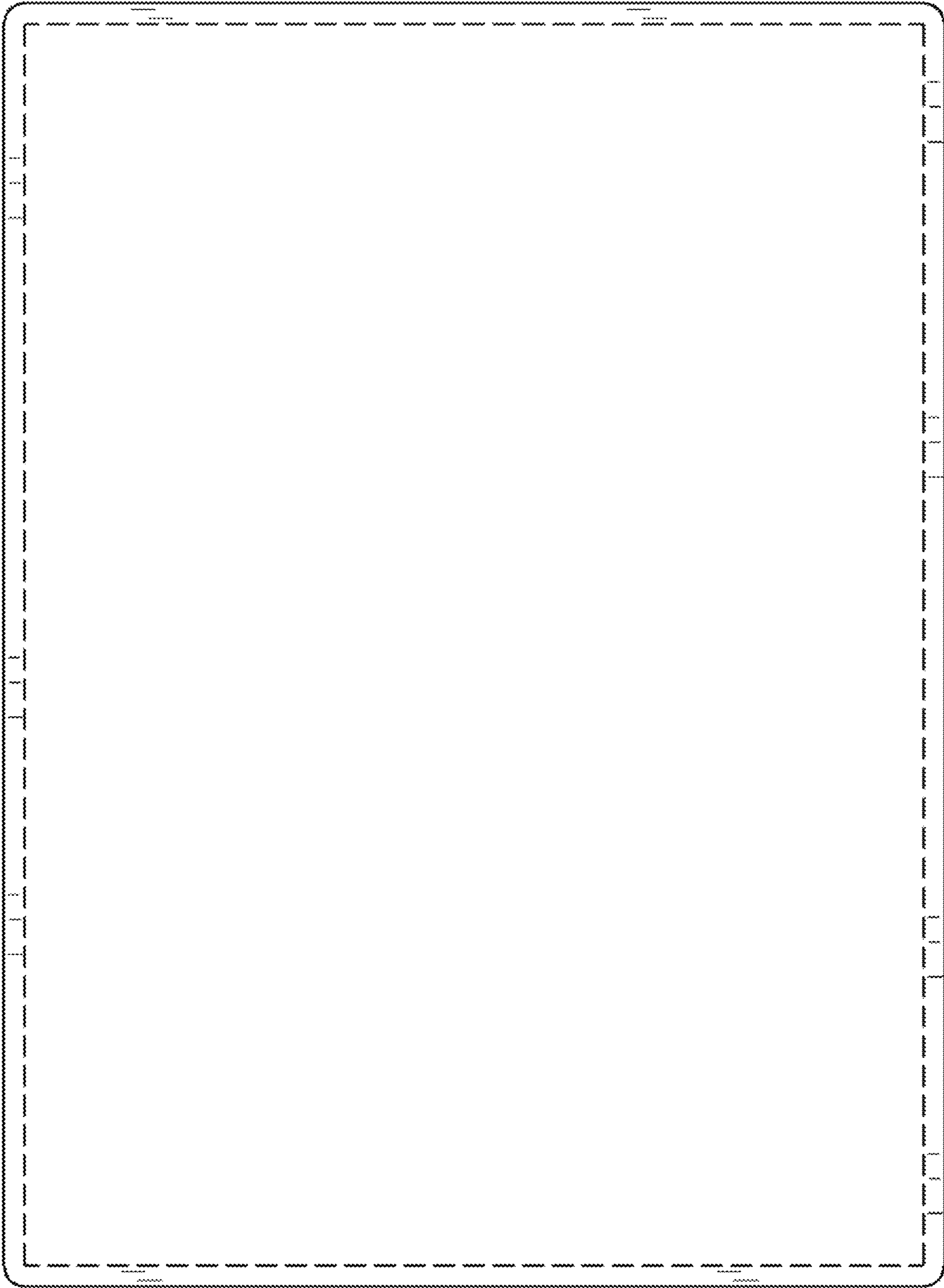


FIG. 3

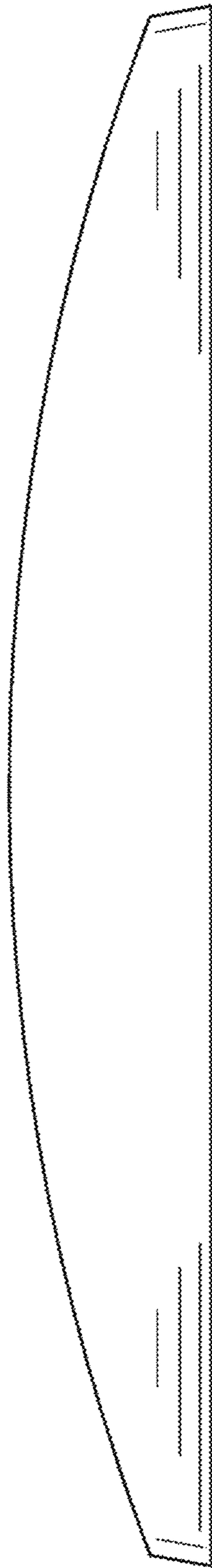


FIG. 4

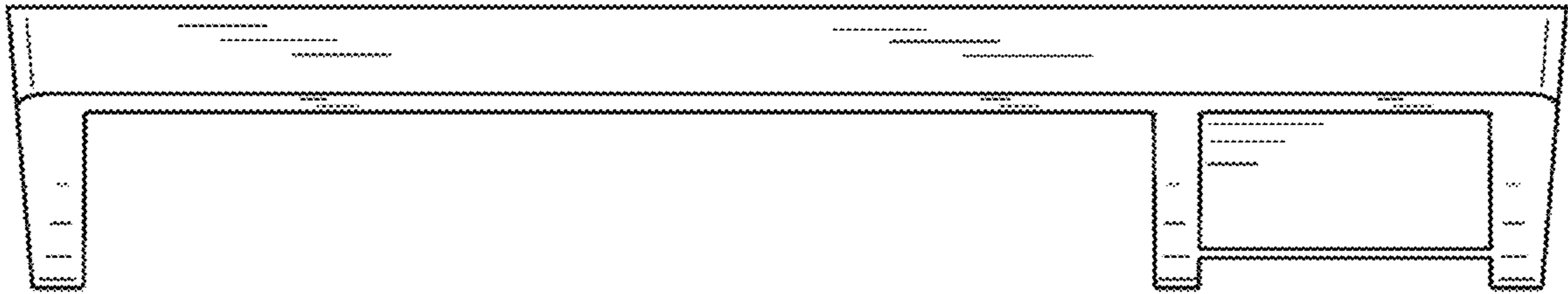


FIG. 5



FIG. 6