



US00D954445S

(12) **United States Design Patent** (10) **Patent No.:** **US D954,445 S**
Zhao (45) **Date of Patent:** **** Jun. 14, 2022**

(54) **HAIR DRYER BRUSH**
(71) Applicant: **SHENZHEN COREMY TECHNOLOGY CO., LTD**, Shenzhen (CN)
(72) Inventor: **Huan Zhao**, Shenzhen (CN)
(73) Assignee: **SHENZHEN COREMY TECHNOLOGY CO., LTD**, Shenzhen (CN)

D901,772 S 11/2020 Huang
D915,775 S * 4/2021 Moon D4/128
D928,514 S * 8/2021 Rennette D4/128
D930,992 S * 9/2021 Hinds D4/128
D934,497 S * 10/2021 Hillebrecht D28/35
D934,498 S * 10/2021 Hillebrecht D28/35
D939,836 S * 1/2022 Buzan D4/128
D941,526 S * 1/2022 Hillebrecht D28/35
D943,287 S * 2/2022 Rennette D4/128

* cited by examiner

Primary Examiner — Austin Murphy

(**) Term: **15 Years**

(57) **CLAIM**

(21) Appl. No.: **29/804,926**

The ornamental design for a hair dryer brush, as shown and described.

(22) Filed: **Aug. 24, 2021**

DESCRIPTION

(51) **LOC (13) Cl.** **04-02**

(52) **U.S. Cl.**
USPC **D4/128**

(58) **Field of Classification Search**
USPC D4/128, 129, 131, 136, 138, 108, 109, D4/119; D32/35, 51; 15/104.5, 104.16, 15/104.2, 104.31, 104.32, 164, 165, 206; D28/65; D7/682; 452/298, 458
CPC A46B 2200/10; A46B 2200/104; A45D 2/10; A45D 1/00; A46D 1/003; A46D 3/087
See application file for complete search history.

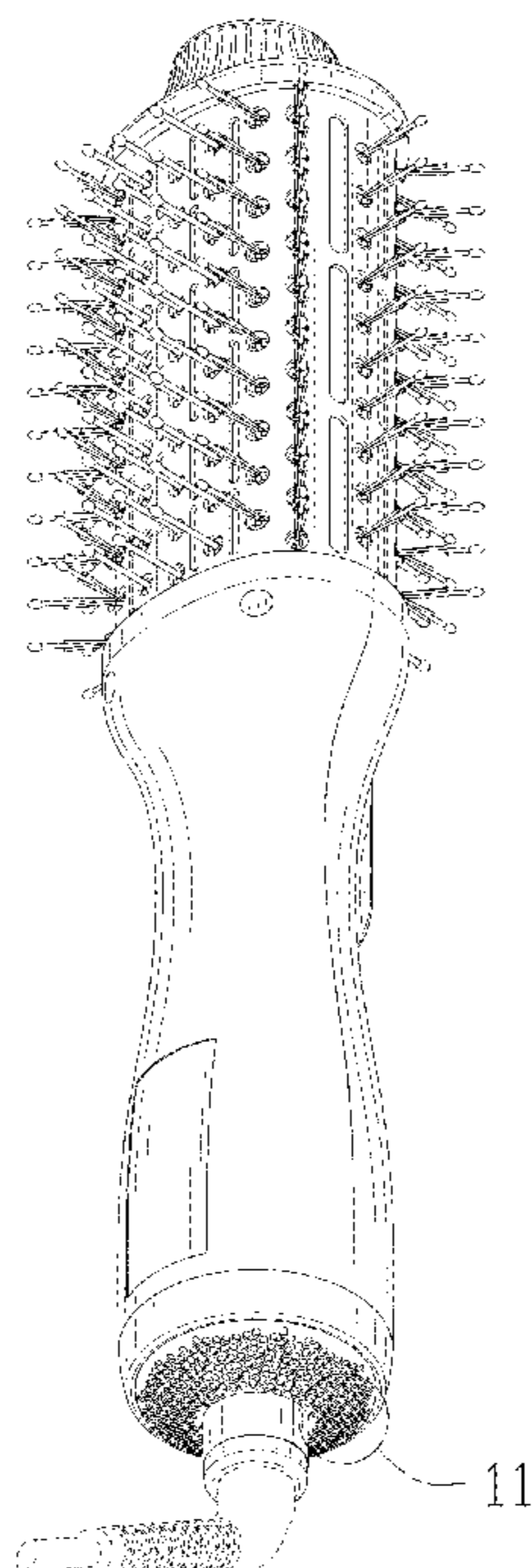
FIG. 1 is a perspective view of a hair dryer brush showing my new design;
FIG. 2 is another perspective view thereof;
FIG. 3 is a front elevational view thereof;
FIG. 4 is a rear elevational view thereof;
FIG. 5 is a left side elevational view thereof;
FIG. 6 is a right side elevational view thereof;
FIG. 7 is a top plan view thereof;
FIG. 8 is a bottom plan view thereof;
FIG. 9 is an enlarged view of portion 9 shown in FIG. 1;
FIG. 10 is an enlarged view of portion 10 shown in FIG. 1; and,
FIG. 11 is an enlarged view of portion 11 shown in FIG. 2.
The dash-dash broken lines in the drawings depict portions of the hair dryer brush that form no part of the claimed design. The dot-dash broken lines represent boundaries of the enlarged portions and form no part of the claimed design.

(56) **References Cited**

U.S. PATENT DOCUMENTS

D787,834 S * 5/2017 Cheung D4/128
D798,605 S * 10/2017 Punches D4/128
D823,005 S * 7/2018 Kuo D4/128
D825,929 S 8/2018 Julemont
D832,592 S * 11/2018 Kuo D4/128
D846,887 S * 4/2019 Treeby D4/133

1 Claim, 11 Drawing Sheets



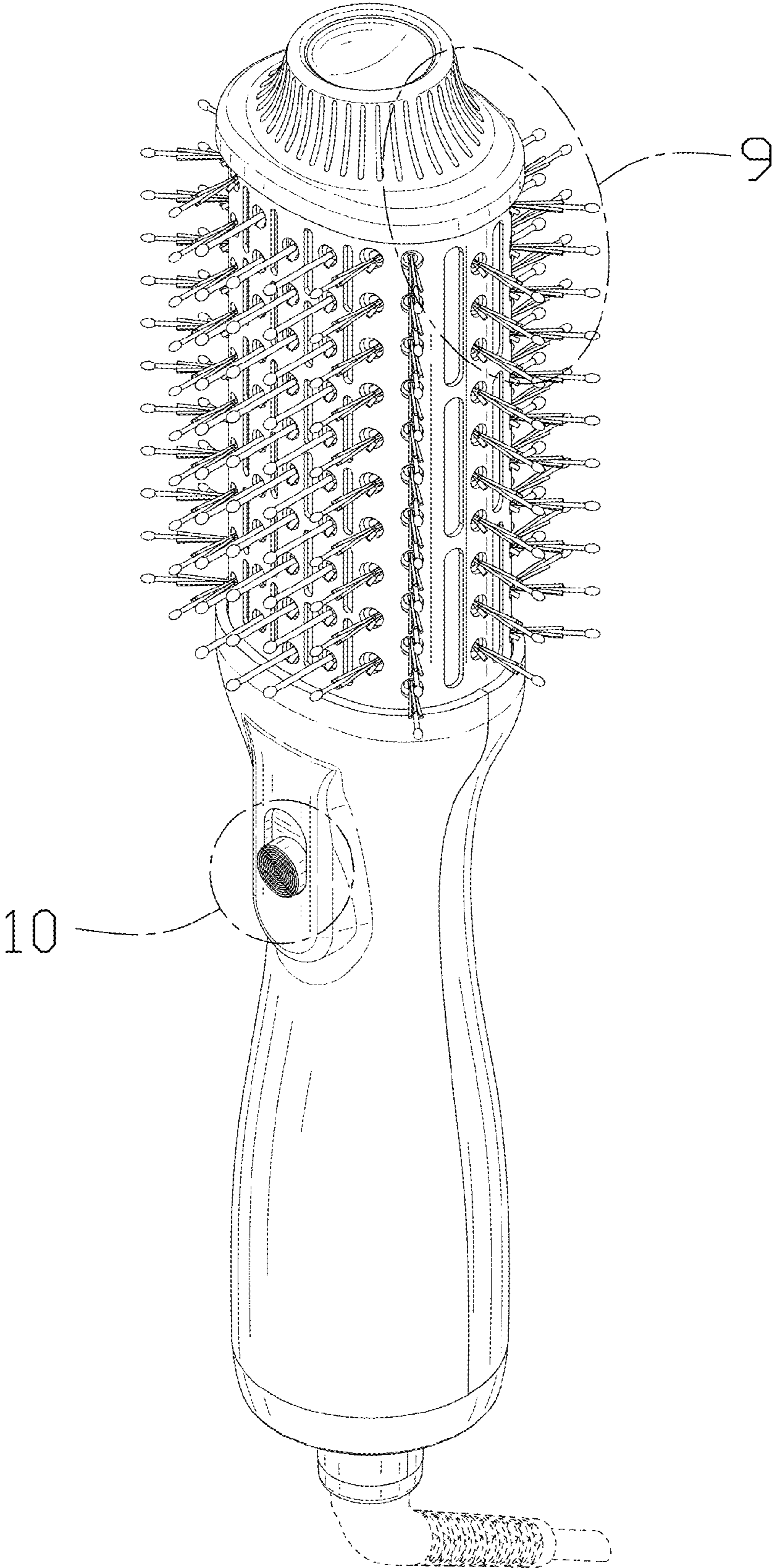


FIG. 1

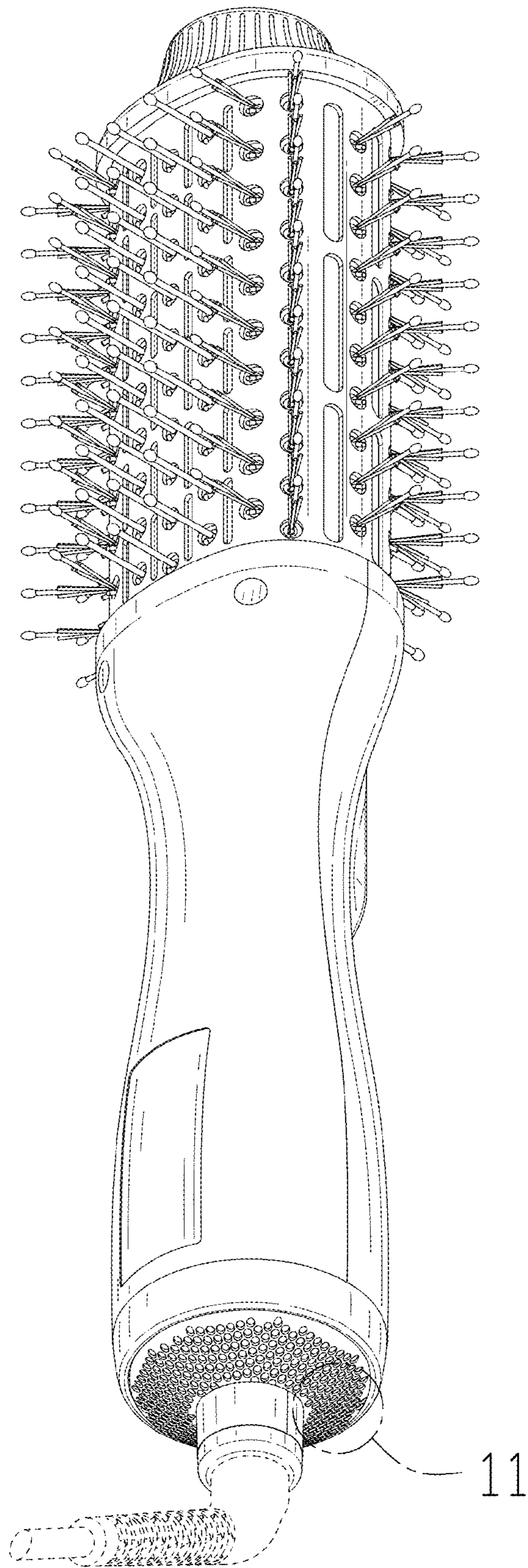


FIG. 2

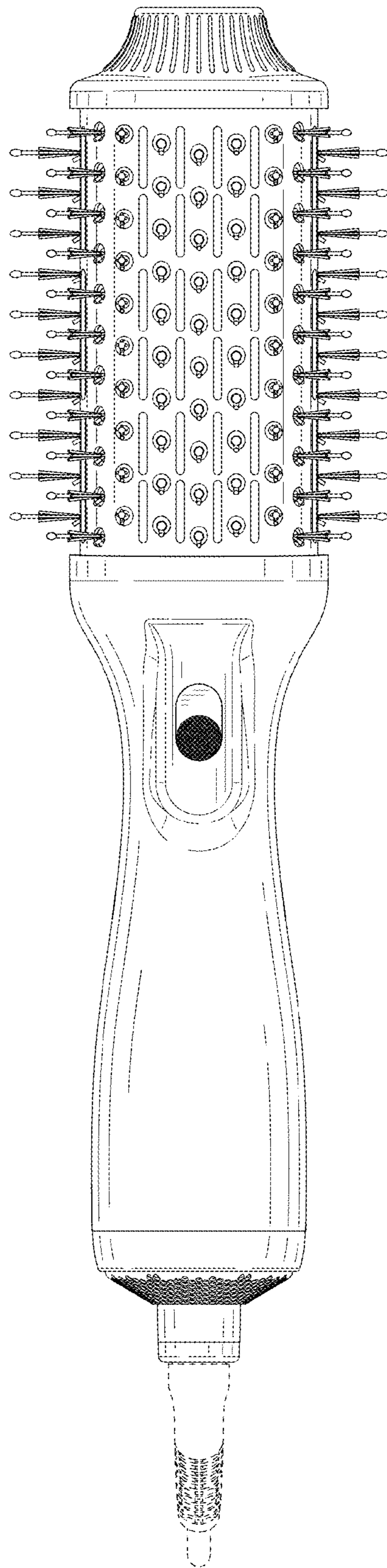


FIG. 3

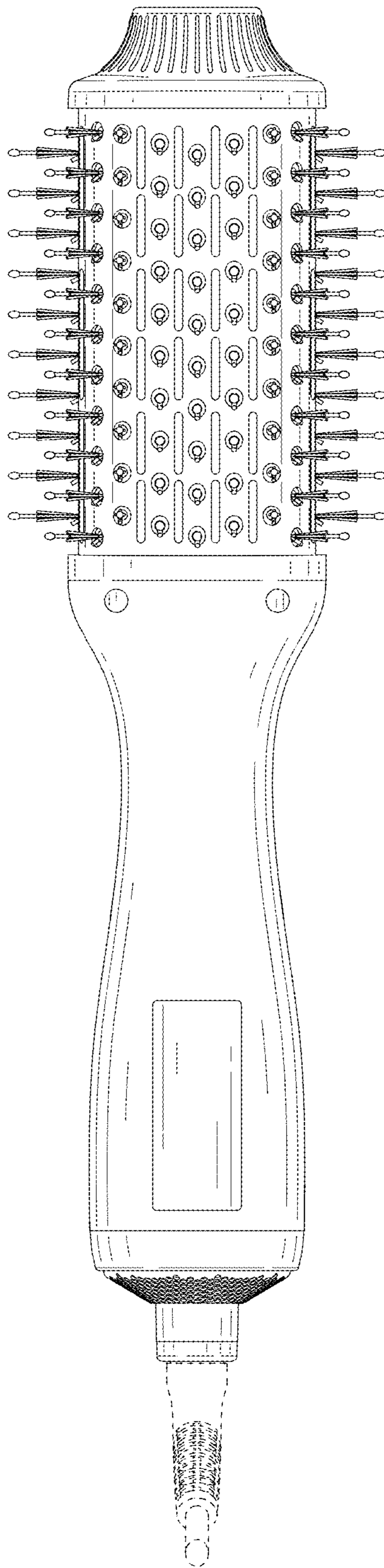


FIG. 4

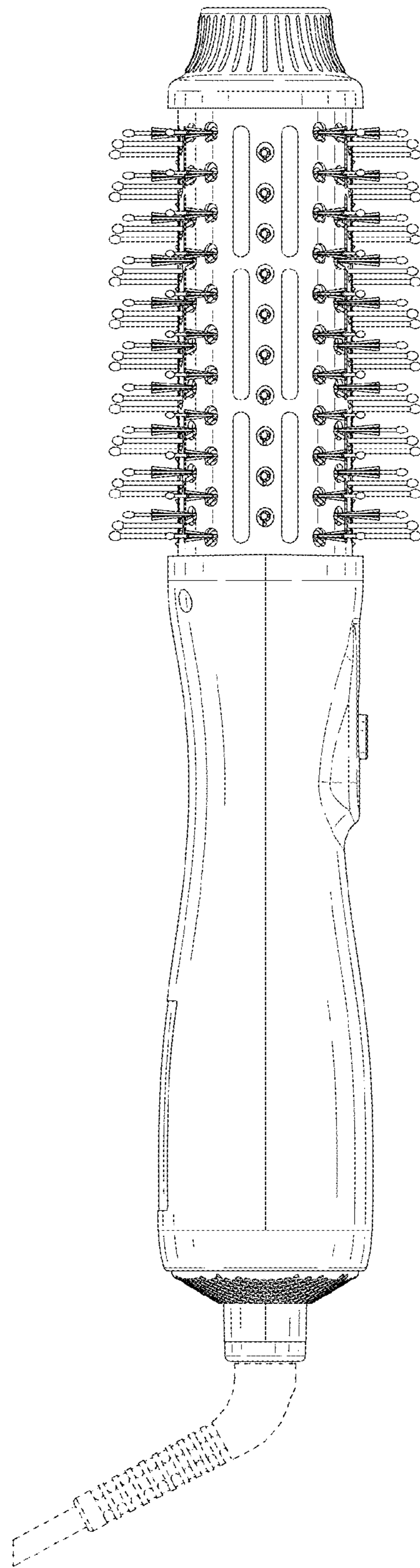


FIG. 5

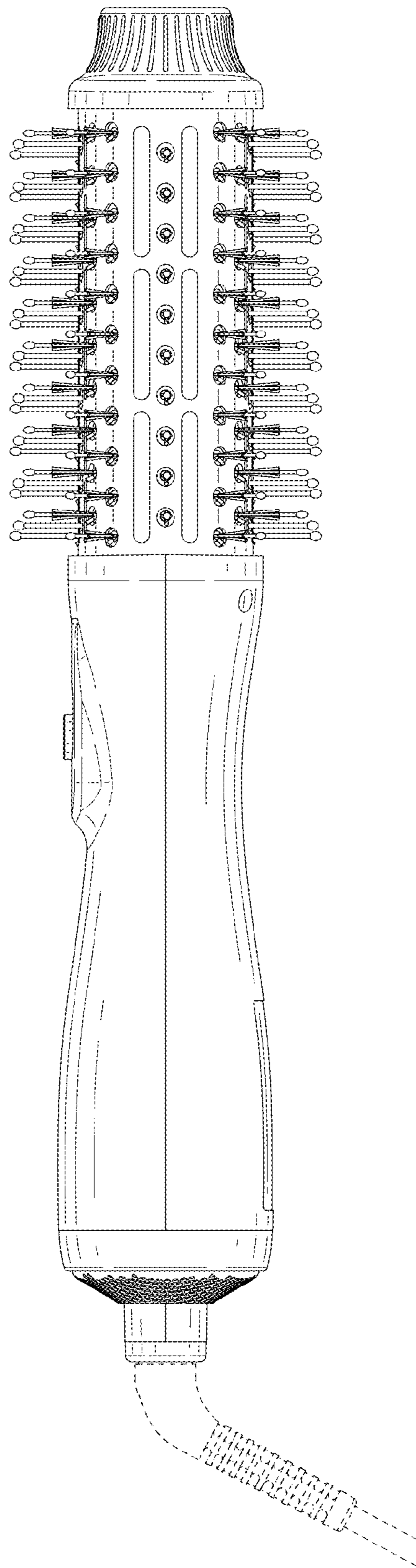


FIG. 6

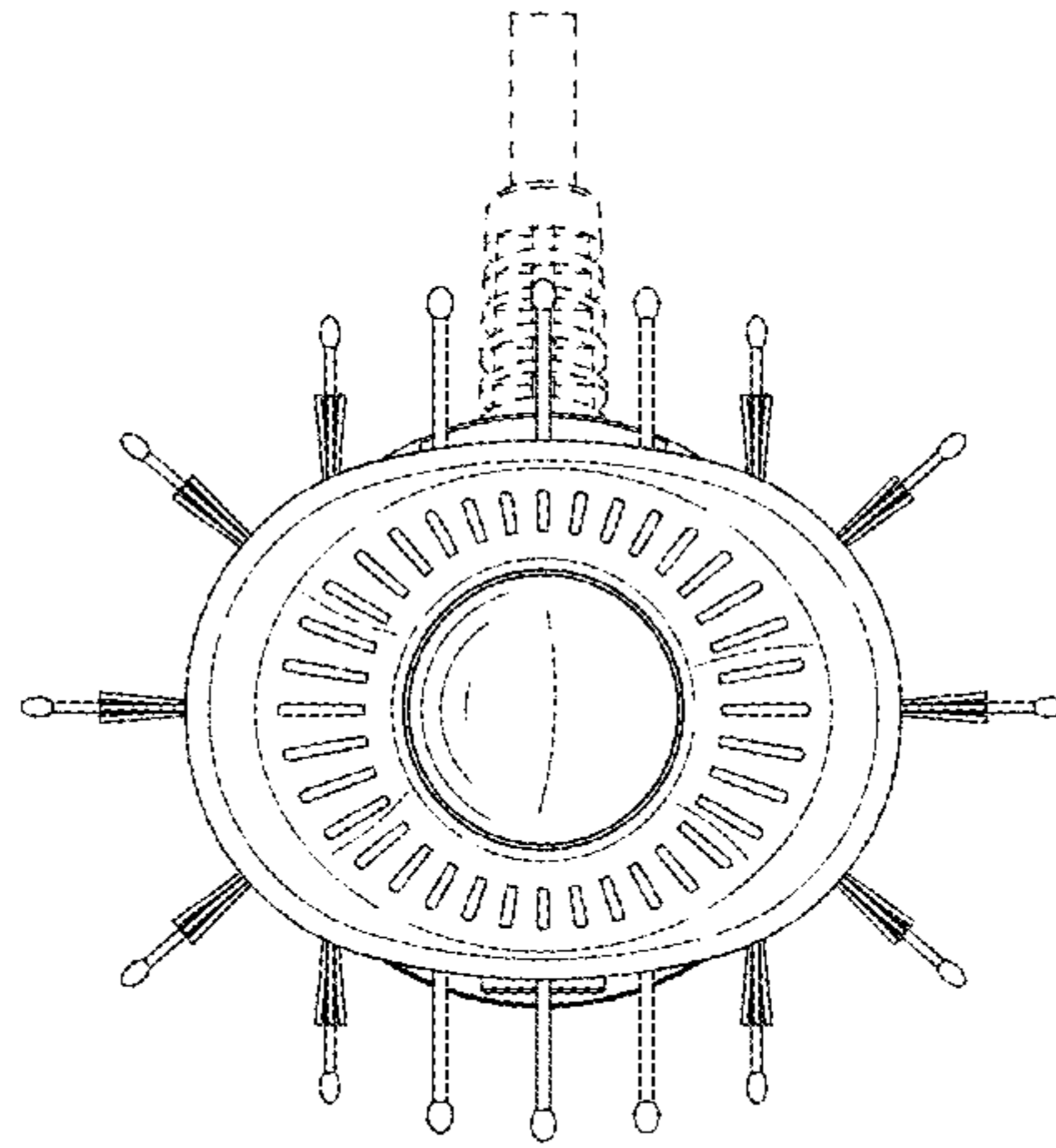


FIG. 7

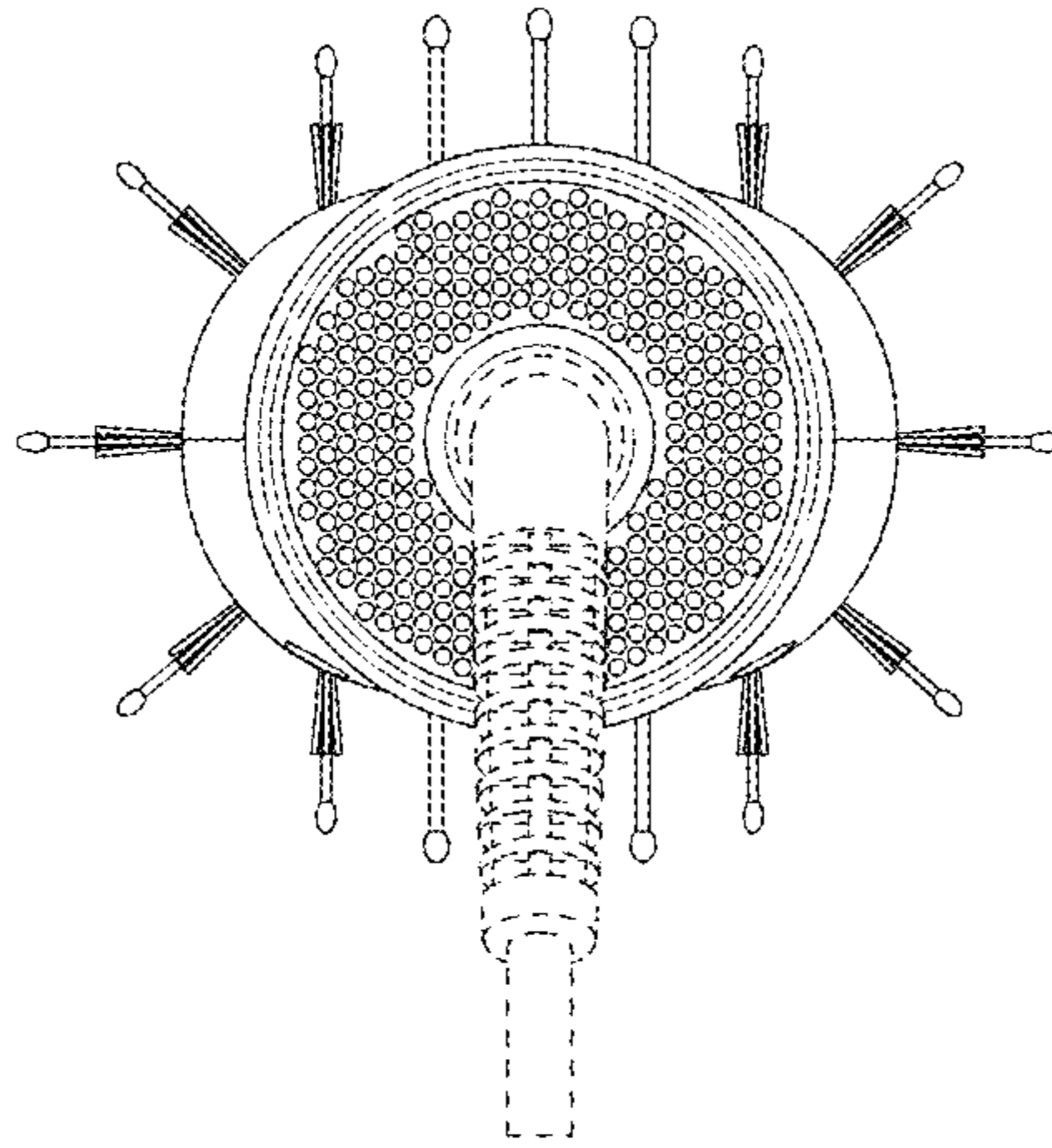


FIG. 8

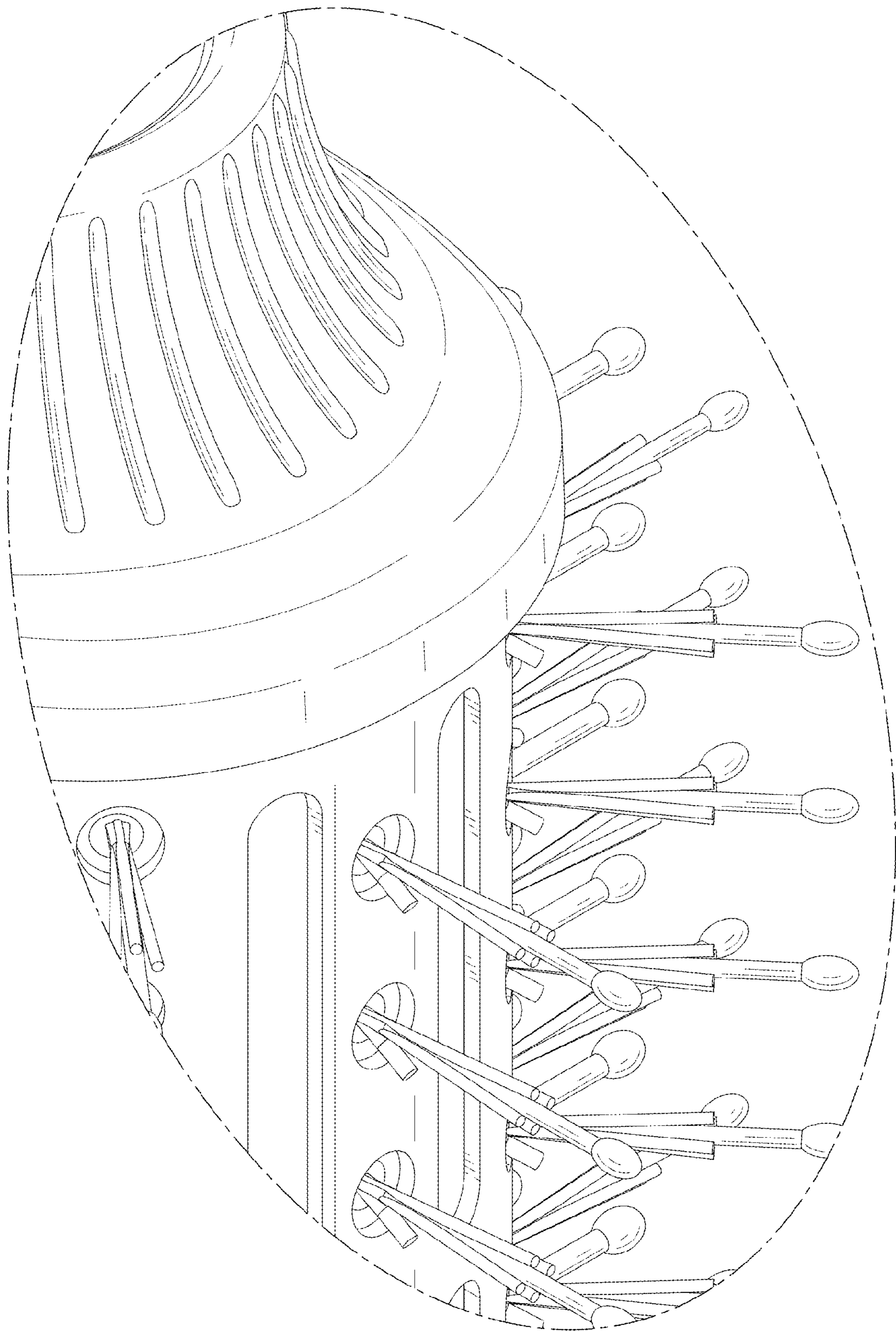


FIG. 9

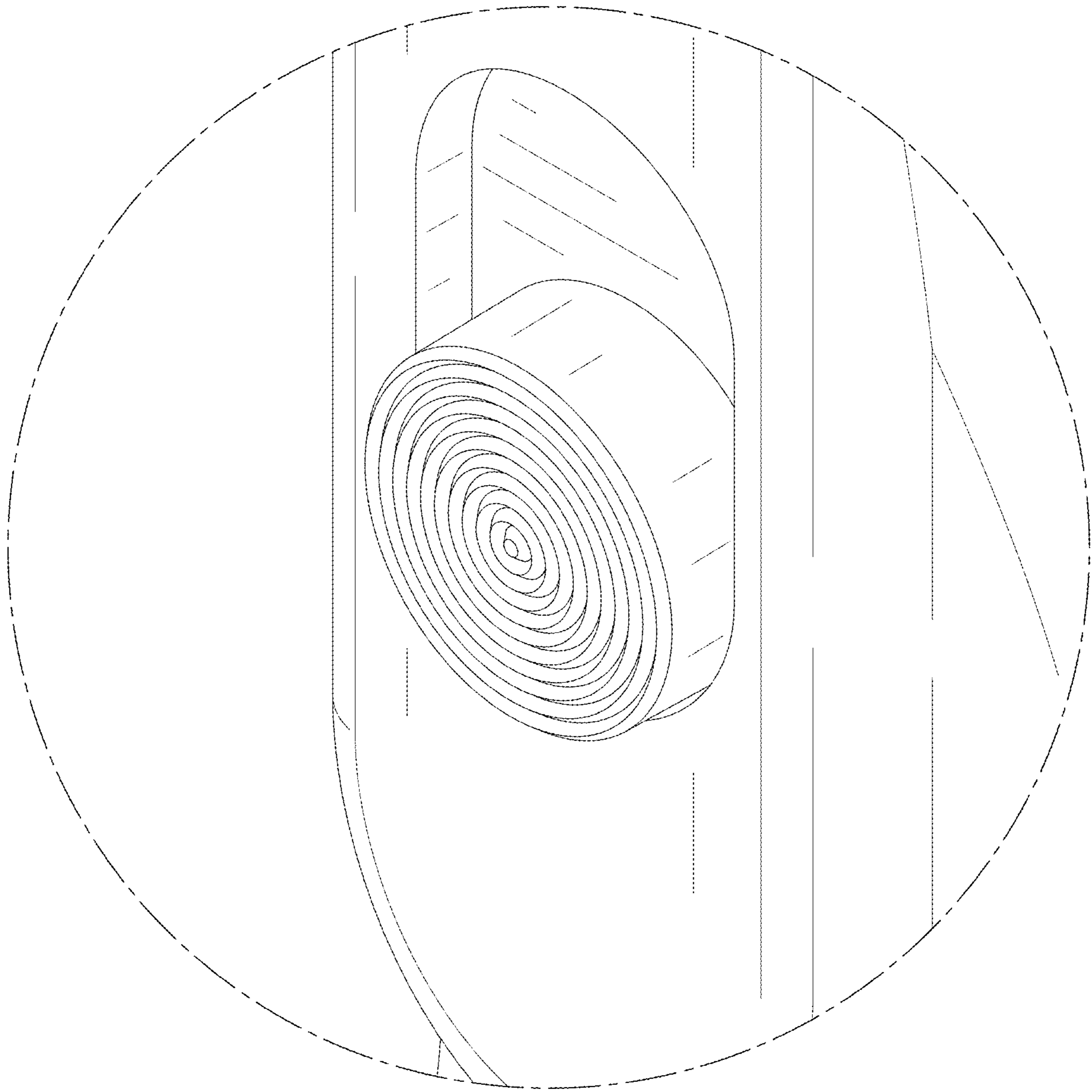


FIG. 10

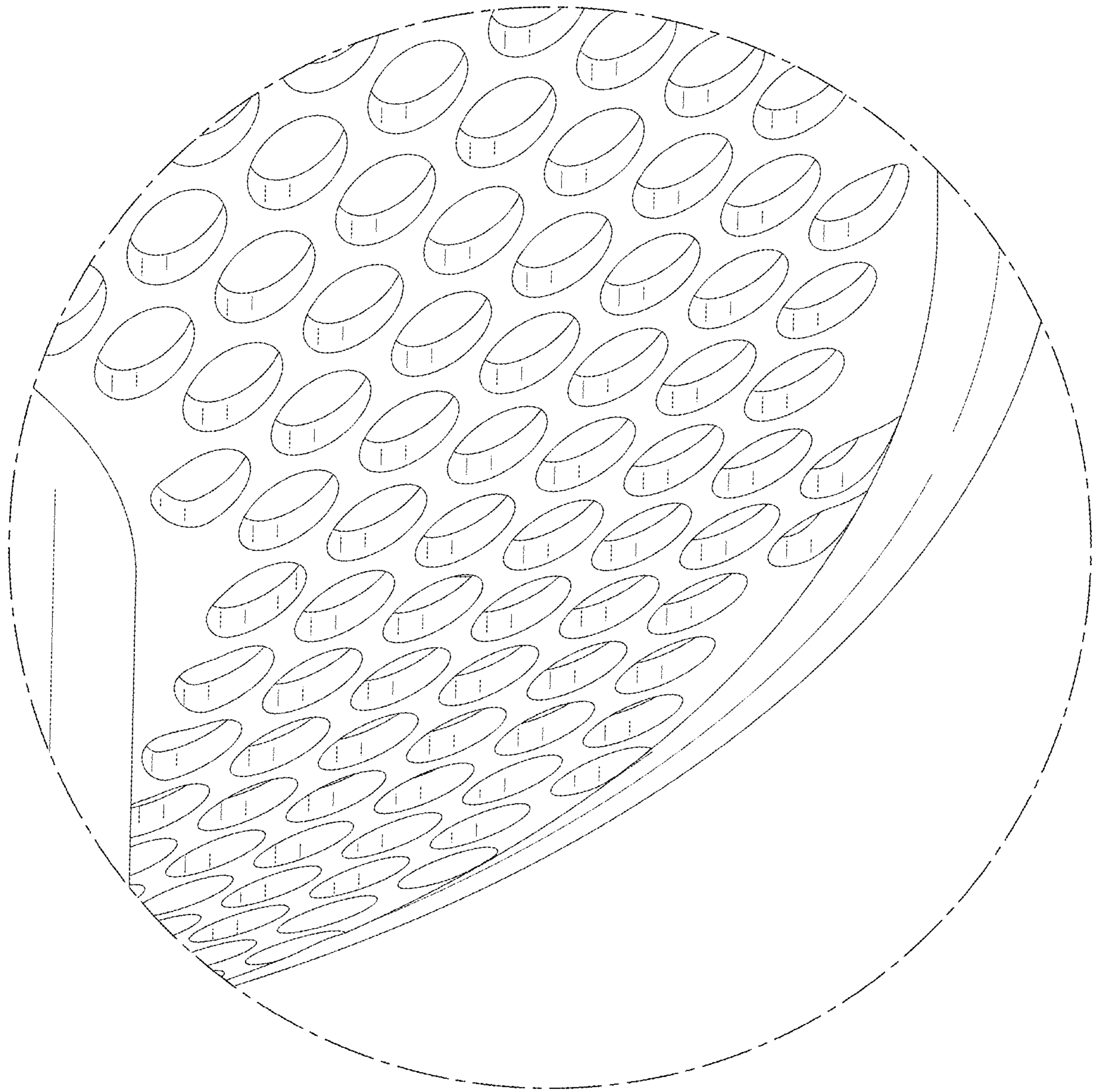


FIG. 11