



US00D954441S

(12) **United States Design Patent** (10) **Patent No.:** **US D954,441 S**
Zhou (45) **Date of Patent:** **** Jun. 14, 2022**

(54) **BRUSH HEAD FOR ELECTRIC TOOTHBRUSH**

FOREIGN PATENT DOCUMENTS

CN 202130577592.4 9/2021

(71) Applicant: **JS Holding Inc.**, Dover, DE (US)

OTHER PUBLICATIONS

(72) Inventor: **Xin Zhou**, Irvine, CA (US)

(73) Assignee: **JS Holding Inc.**, Dover, DE (US)

(**) Term: **15 Years**

(21) Appl. No.: **29/743,210**

(22) Filed: **Jul. 20, 2020**

(51) **LOC (13) Cl.** **04-02**

(52) **U.S. Cl.**
USPC **D4/101**

(58) **Field of Classification Search**
USPC D4/100-138, 199; D24/176, 181
CPC A46B 2200/1066; A46B 2200/1073; A46B 2200/1086; A46B 5/0095; A61C 17/16; A63H 13/00
See application file for complete search history.

Brushmo replacement head, announced Oct. 2020 [online], [site visited Jan. 6, 2022]. Available from internet, URL: https://www.amazon.com/dp/B08L5KXK9P/ref=emc_b_5_t (Year: 2020).*

Brushmo Compact replacement head, announced Jul. 2020 [online], [site visited Jan. 6, 2022]. Available from internet, URL: <https://www.amazon.com/Brushmo-Replacement-Toothbrush-Compatible-Sonicare/dp/B08CS6M68K> (Year: 2020).*

“Aoremon Replacement Toothbrush Heads for Philips Sonicare DiamondClean HX6064-8 Pack Replacement Heads Compatible with all Snap-On Sonicare Brush Head,” <https://www.amazon.com/Aoremon-Replacement-DiamondClean-HX6063-HealthyWhite>, ASIN B07S9VHL6F, Amazon.com, pp. 1-10, Jun. 4, 2020.

Aoremon Replacement Brush Head for Philips Sonicare: 8 Pack Toothbrush, <https://www.amazon.com/Aoremon-Diamondclean-Replacement-DiamondClean-Healthy>, ASIN B07C2QJRRD, Amazon.com, pp. 1-8, Jun. 17, 2020.

“Replacement Brush Heads Compatible with Philips Sonicare Plaque Control HX9023/HX9024 (6 pack), 2 Series, 3 Series, FlexCare, HealthyWhite, DiamondClean Electric Toothbrush by Aoremon,” <<https://www.amazon.com/Replacement-Compatible-HealthyWhite-DiamondClean-Toothbrush>>, ASIN B076Q8C7B8, Amazon.com, pp. 1-9, Jun. 4, 2020.

“Replacement Toothbrush Heads for Philips Sonicare: Compatible with Sonicare ProResults Electric Toothbrush HX9023, 8 Pack for Phillips Plaque Control, DiamondClean, FlexCare, HealthyWhite,” <https://www.amazon.com/Toptheway-Replacement-Toothbrush-Heads-DiamondClean/dp>, ASIN B07MYR7X9Q, Amazon.com, pp. 1-9, Jun. 4, 2020.

“Toptheway Replacement Heads Compatible with Sonicare E-Series Toothbrush HX7022/66, Essence,Xtreme,Elite, Advance and CleanCare Screw-On Handle, 6 Pack,” <https://www.amazon.com/Toptheway-Replacement-Compatible-Toothbrush-CleanCare/dp/B078RFTG46>, ASIN B078RFTG46, Amazon.com, pp. 1-9, Jun. 20, 2020.

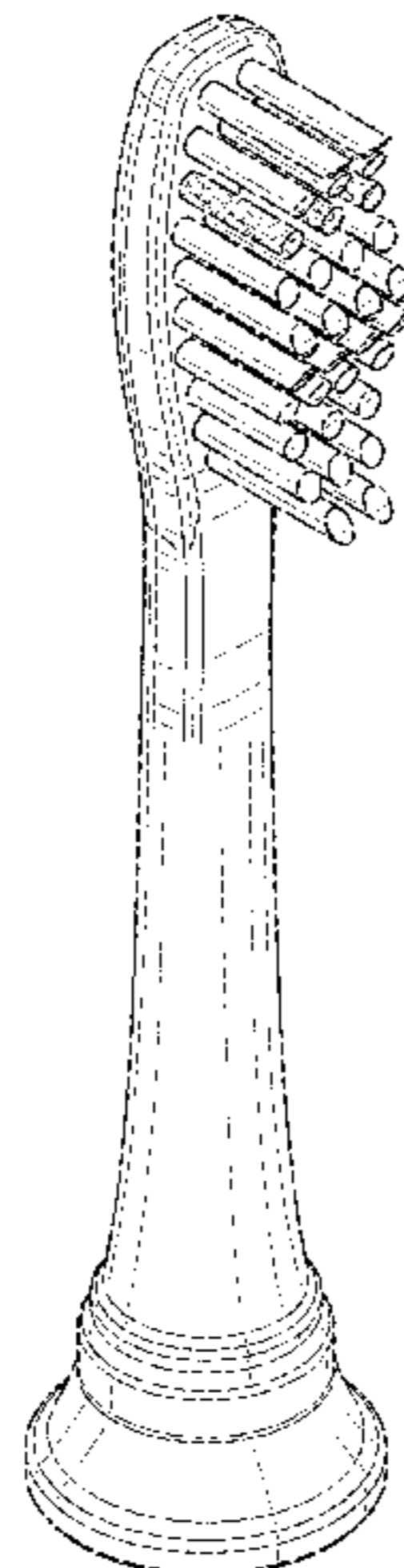
“Toptheway Replacement Brush Heads Compatible with Philips Sonicare ProResults Electric Toothbrush HX9023, 10 Pack for Phillips Plaque Control, DiamondClean, FlexCare, HealthyWhite,” <https://www.amazon.com/Toptheway-Replacement-Compatible-DiamondClean-Healthy>, ASIN B082NJH99R, Amazon.com, pp. 1-8, Jun. 4, 2020.

“Replacement Toothbrush Heads for Philip Sonicare: Compatible with Diamondclean Electric Toothbrush HX6063/64, for Phillips

(56) **References Cited**

U.S. PATENT DOCUMENTS

| | | | | |
|---------------|---------|---------|-------|------------------------|
| D652,626 S * | 1/2012 | Gebski | | D4/101 |
| D653,035 S | 1/2012 | Gebski | | |
| D657,565 S | 4/2012 | Gebski | | |
| D747,609 S | 1/2016 | Watkins | | |
| D866,188 S * | 11/2019 | Wagner | | A61C 17/3418 D4/101 |
| D891,116 S | 7/2020 | Feng | | |
| D919,301 S | 5/2021 | Zhao | | |
| 11,071,613 B1 | 7/2021 | Zhou | | |
| D931,617 S * | 9/2021 | Hallein | | D4/110 |
| D933,962 S * | 10/2021 | He | | D4/101 |
| D933,963 S | 10/2021 | He | | |
| D933,964 S * | 10/2021 | He | | D4/101 |
| D933,965 S | 10/2021 | Tang | | |
| D935,187 S | 11/2021 | Hu | | |
| D935,192 S * | 11/2021 | He | | D4/101 |
| D935,193 S * | 11/2021 | He | | D4/101 |
| D939,216 S * | 12/2021 | Liu | | D4/111 |



Plaque Control, Gum Health, FlexCare, HealthyWhite and Easy Clean, 8 Pack,” <<https://www.amazon.com/dp/B087CQY9RN>>, Amazon.com, pp. 1-10, Jun. 4, 2020.

“Toptheway Replacement Brush Heads—Compatible with Philips Sonicare DiamondClean Electric Toothbrush, for Phillips Plaque Control, Gum Health, FlexCare, HealthyWhite, Black, 8 Pack,” <<https://www.amazon.com/Replacement-DiamondClean-Toothbrush-HealthyWhite-Toptheway>>, ASIN B07JYZB558, Amazon.com, pp. 1-20, Jun. 4, 2020.

“Brush Heads Replacement Compatible with Philips Sonicare Electric Toothbrush, 8 Pack,” <<https://www.amazon.com/Replacement-Compatible-Phillips-Sonicare-Toothbrush/dp>>, ASIN B07W4HPTQW, Amazon.com, pp. 1-9, Jul. 2, 2020.

“Replacement Toothbrush Heads Compatible with Philips Sonicare, 10 Pack,” <<https://www.amazon.com/Replacement-Toothbrush-Compatible-Phillips-Sonicare/dp>>, ASIN B07TQ3JGHXV, Amazon.com, pp. 1-9, Jun. 23, 2020.

“DiamondWhite Replacement Toothbrush Heads for Sonicare, Fits 2 Series, ProResults, FlexCare, Healthy White, Platinum, EasyClean, DiamondClean, Gum Health models (Black) (8-Pack),” <<https://www.amazon.com/Cavifree-Sensitive-Replacement-Toothbrush-Heads/dp>>, ASIN B07XP1KD4G, Amazon.com, pp. 1-9, Jun. 17, 2020.

“Replacement Brush Heads for Philips Sonicare Electric Toothbrush, Replacement Toothbrush Heads Compatible with Sonicare HX6065, Plaque Control, HealthyWhite, Gum Health, FlexCare, 8 Pack,” <https://www.amazon.com/gp/product/B07HMQBC6D/ref=ppx_yo_dt_b_search_asin_title>, Amazon.com, pp. 1-8, Jun. 18, 2020.

Information about Related Patents and Patent Applications, see section 6 of the accompanying Information Disclosure Statement Letter, which concerns Related Patents and Patent Applications.

Brushmo Replacement brush head, announced May 2017 [online], [site visited Jan. 31, 2022]. Available from internet, URL: <https://www.amazon.com/Sonimart-Replacement-Toothbrush-DiamondClean-HealthyWhite/dp/B07KZ6HDXJ> (Year: 2017).

Philips Sonic Care brush, announced Nov. 2017 [online], [site visited Jan. 31, 2022]. Available from internet, URL: https://www.amazon.com/Philips-Sonicare-replacement-toothbrush-HX9023/dp/B078B F27B F/ref=sr_1_5?keywords=toothbrush+head&qid=1643638786&s=beauty&sr=1-5 (Year: 2017).

U.S. Appl. No. 29/743,207, filed Jul. 20, 2020, Brush Head for Electric Toothbrush.

* cited by examiner

Primary Examiner — Cynthia Ramirez

Assistant Examiner — Tamara L Hahn

(74) *Attorney, Agent, or Firm* — Fox Rothschild LLP

(57) CLAIM

The ornamental design for a brush head for electric toothbrush, as shown and described.

DESCRIPTION

FIG. 1 illustrates a perspective view of a first embodiment of a brush head for electric toothbrush, the stippling shading applied to some bristles show contrast in appearance.

FIG. 2 illustrates a first side of the first embodiment of the brush head.

FIG. 3 illustrates a second side of the first embodiment of the brush head.

FIG. 4 illustrates a third side of the first embodiment of the brush head.

FIG. 5 illustrates a fourth side of the first embodiment of the brush head.

FIG. 6 is a top view of the first embodiment of the brush head.

FIG. 7 is a bottom view of the first embodiment of the brush head.

FIG. 8 illustrates a perspective view of a second embodiment of a brush head for electric toothbrush, the stippling shading applied to some of the bristles show contrast in appearance.

FIG. 9 illustrates a first side of the second embodiment of the brush head.

FIG. 10 illustrates a second side of the second embodiment of the brush head.

FIG. 11 illustrates a third side of the second embodiment of the brush head.

FIG. 12 illustrates a fourth side of the second embodiment of the brush head.

FIG. 13 is a top view of the second embodiment of the brush head.

FIG. 14 is a bottom view of the second embodiment of the brush head.

FIG. 15 illustrates a perspective view of a third embodiment of a brush head for electric toothbrush, the stippling shading applied to some of the bristles show contrast in appearance.

FIG. 16 illustrates a first side of the third embodiment of the brush head.

FIG. 17 illustrates a second side of the third embodiment of the brush head.

FIG. 18 illustrates a third side of the third embodiment of the brush head.

FIG. 19 illustrates a fourth side of the third embodiment of the brush head.

FIG. 20 is a top view of the third embodiment of the brush head.

FIG. 21 is a bottom view of the third embodiment of the brush head.

FIG. 22 illustrates a perspective view of a fourth embodiment of a brush head for electric toothbrush.

FIG. 23 illustrates a first side of the fourth embodiment of the brush head.

FIG. 24 illustrates a second side of the fourth embodiment of the brush head.

FIG. 25 illustrates a third side of the fourth embodiment of the brush head.

FIG. 26 illustrates a fourth side of the fourth embodiment of the brush head.

FIG. 27 is a top view of the fourth embodiment of the brush head.

FIG. 28 is a bottom view of the fourth embodiment of the brush head.

FIG. 29 illustrates a perspective view of a fifth embodiment of a brush head for electric toothbrush.

FIG. 30 illustrates a first side of the fifth embodiment of the brush head.

FIG. 31 illustrates a second side of the fifth embodiment of the brush head.

FIG. 32 illustrates a third side of the fifth embodiment of the brush head.

FIG. 33 illustrates a fourth side of the fifth embodiment of the brush head.

FIG. 34 is a top view of the fifth embodiment of the brush head; and,

FIG. 35 is a bottom view of the fifth embodiment of the brush head.

The broken lines in the drawings depict portions of the brush head for electric toothbrush which form no part of the claimed design.

1 Claim, 30 Drawing Sheets

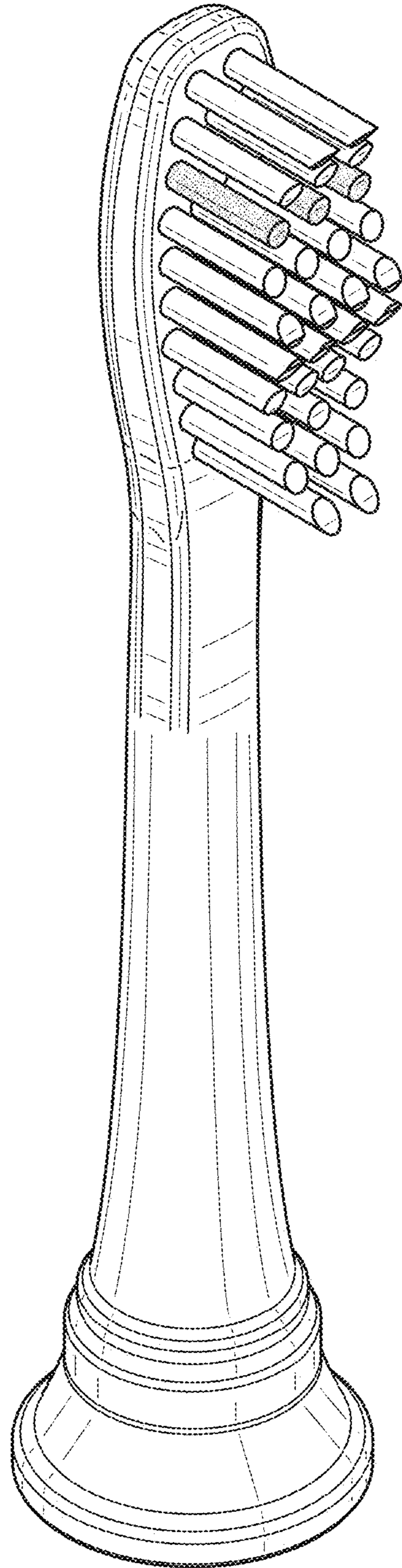


FIG. 1

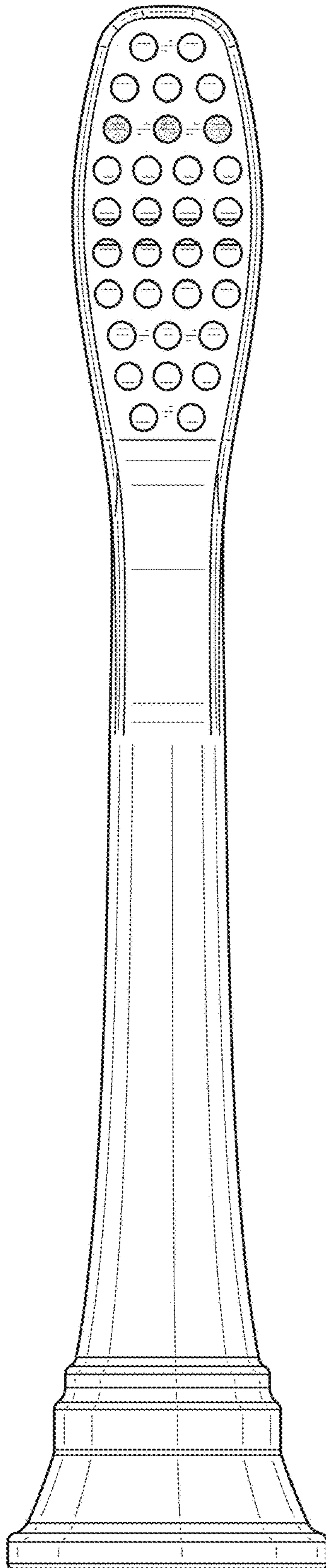


FIG. 2

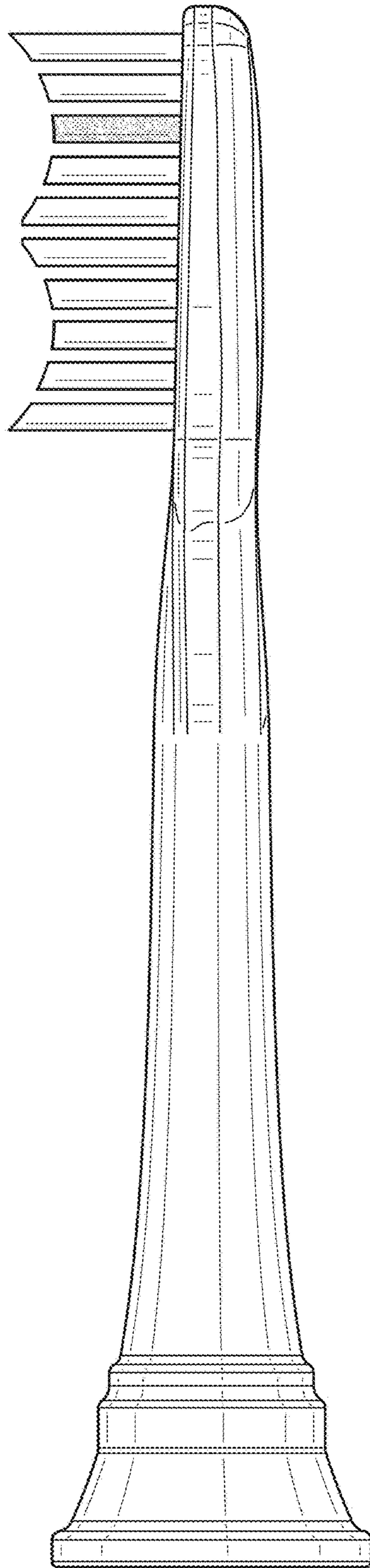


FIG. 3

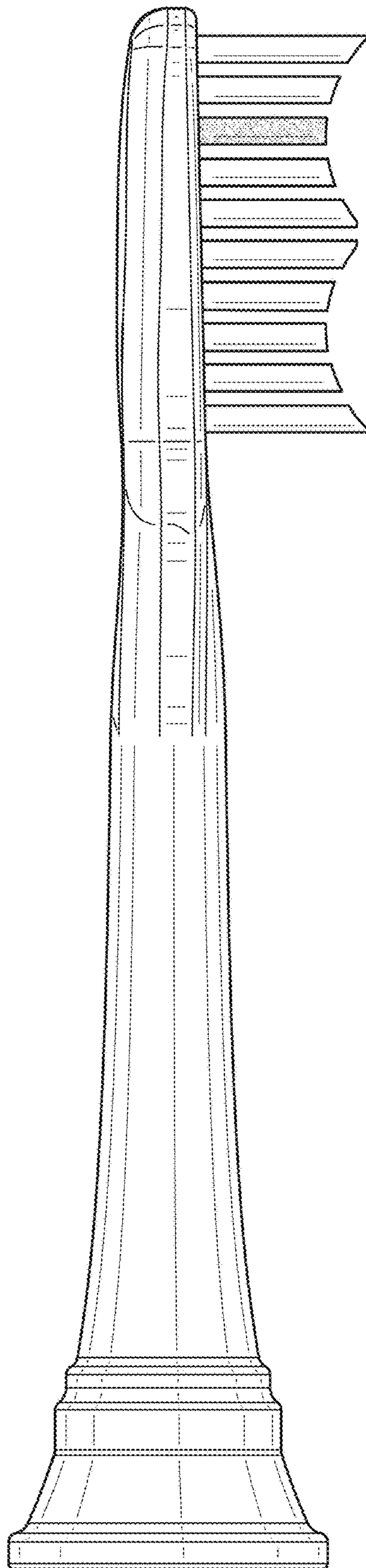


FIG. 4

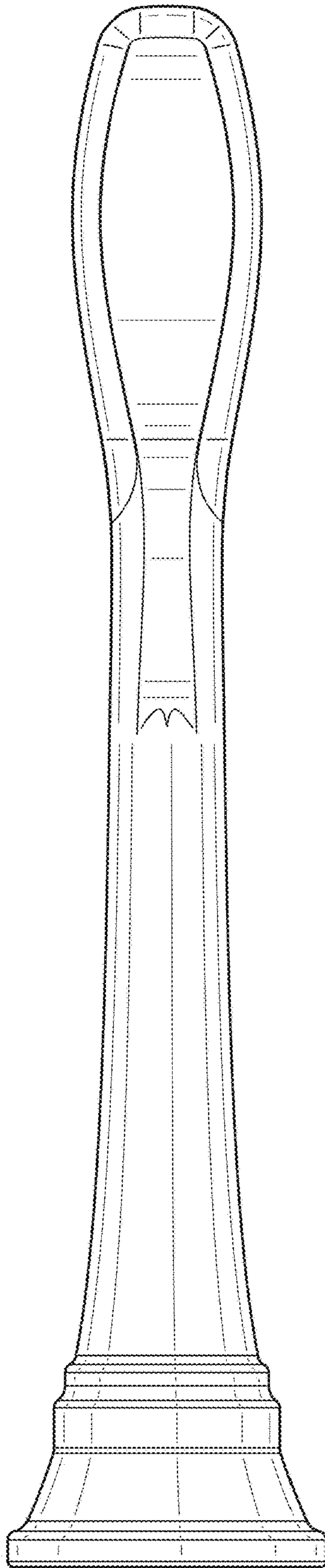


FIG. 5

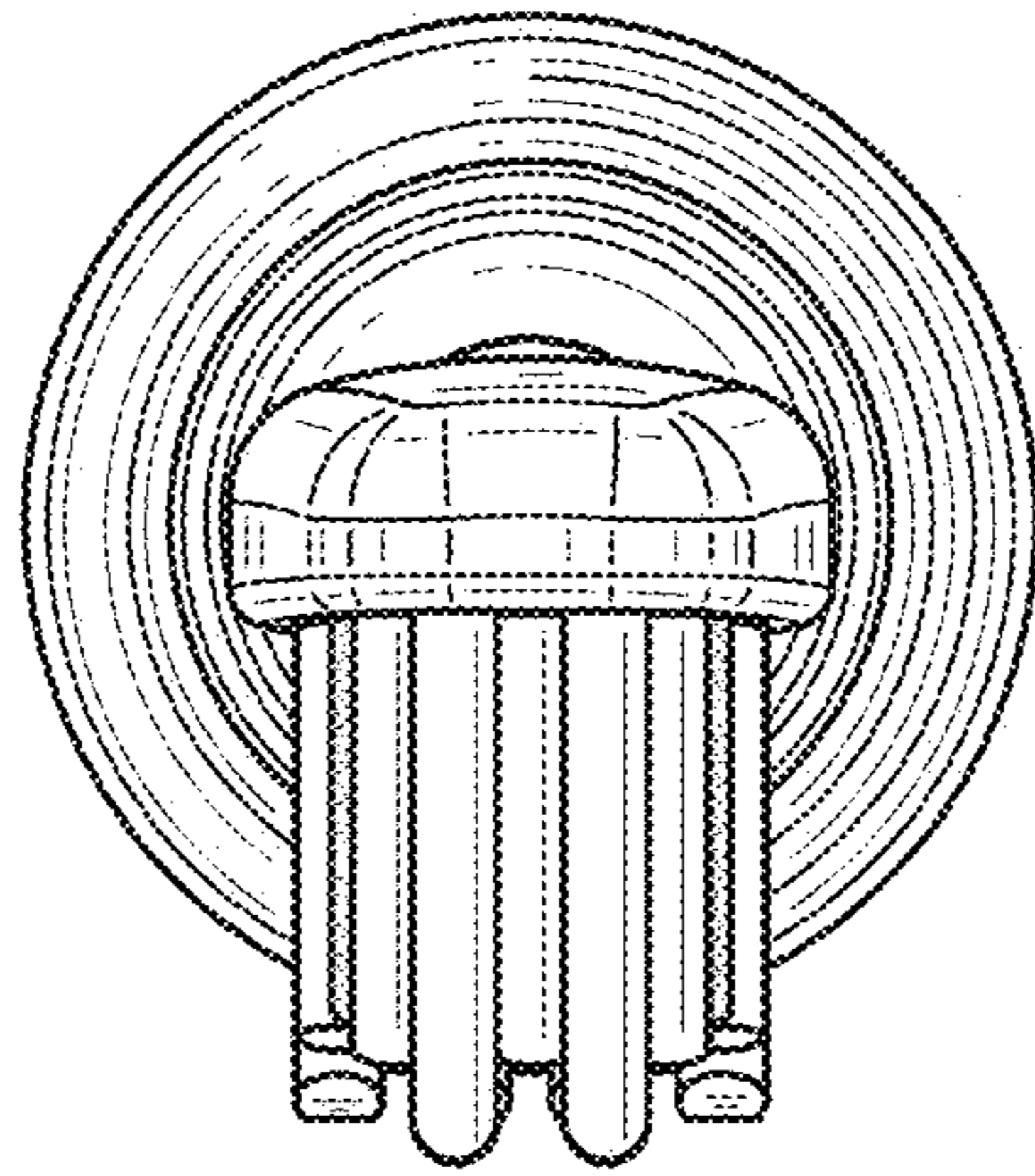


FIG. 6

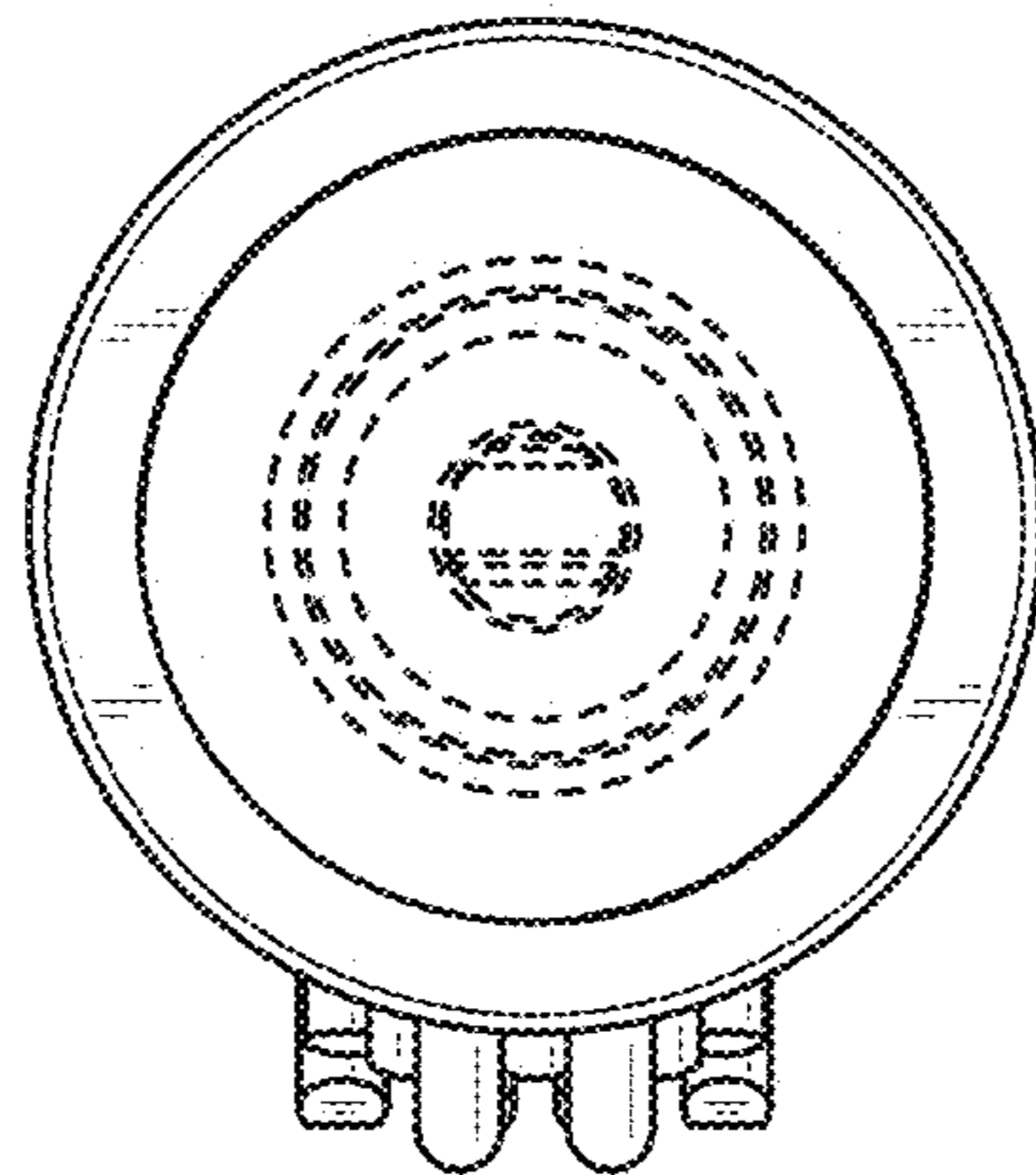


FIG. 7

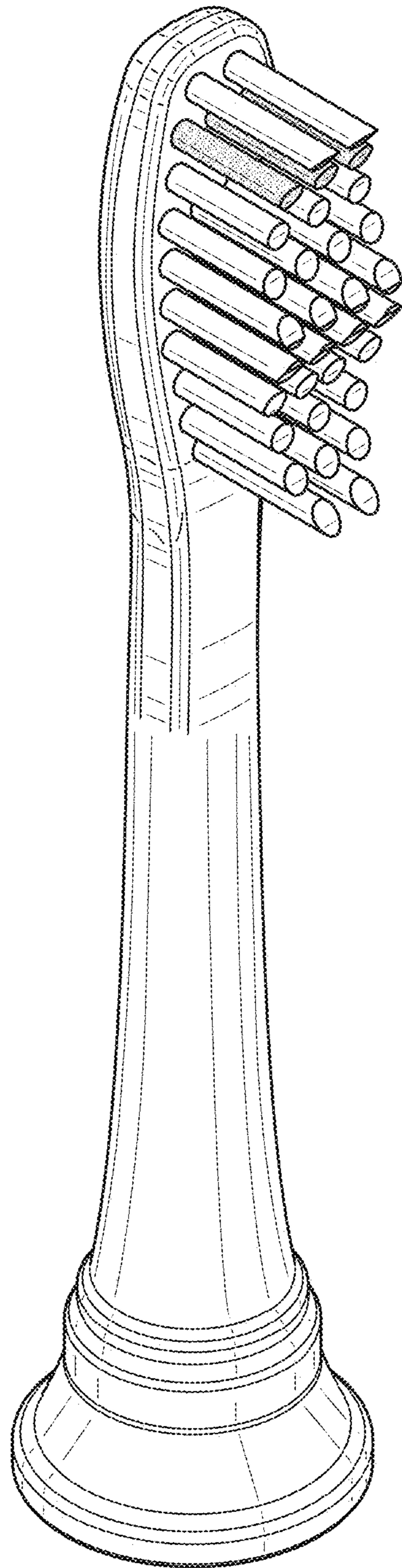


FIG. 8

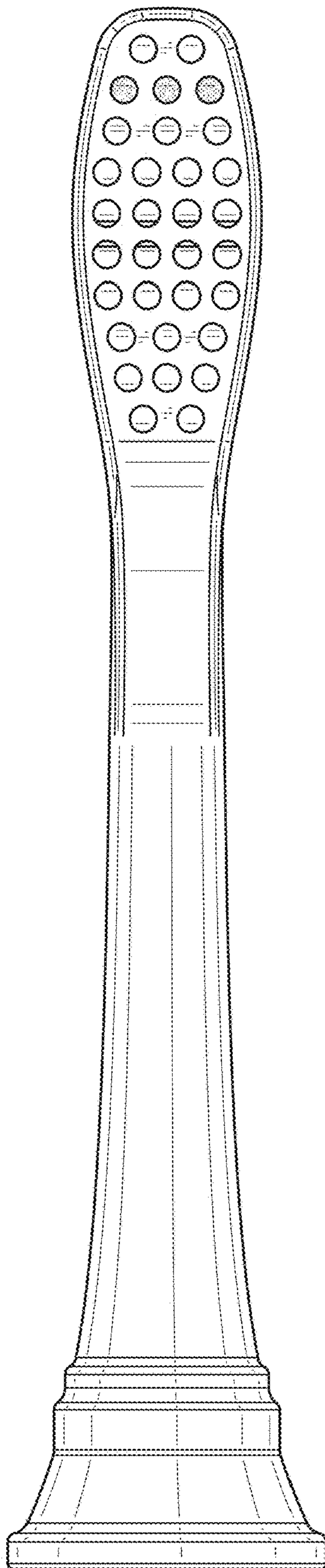


FIG. 9

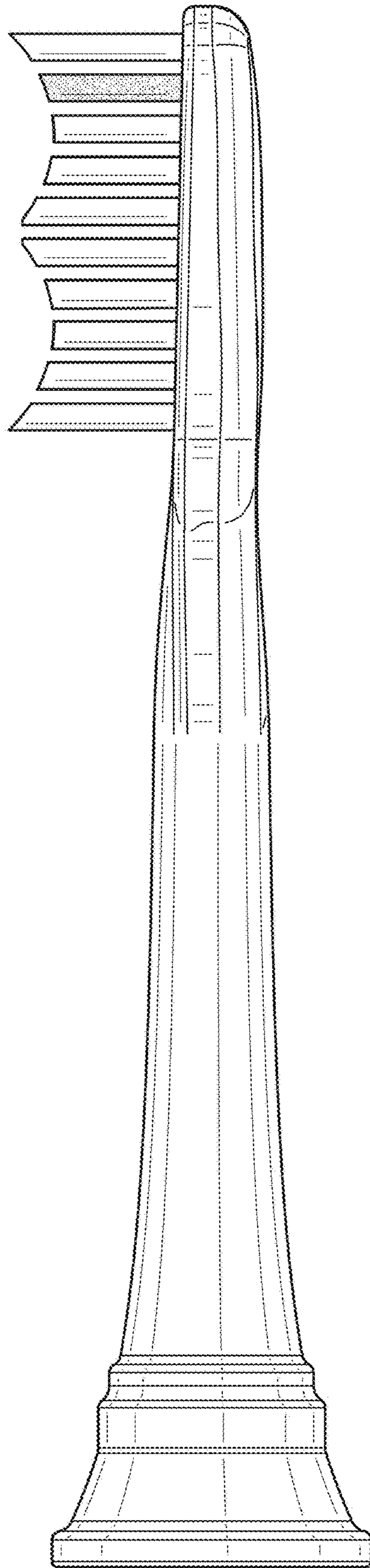


FIG. 10

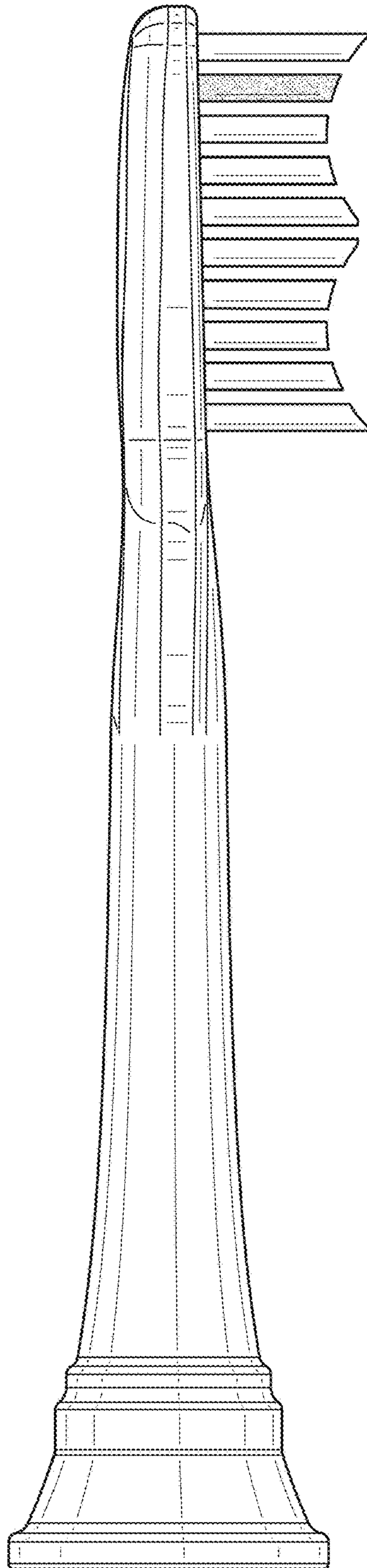


FIG. 11

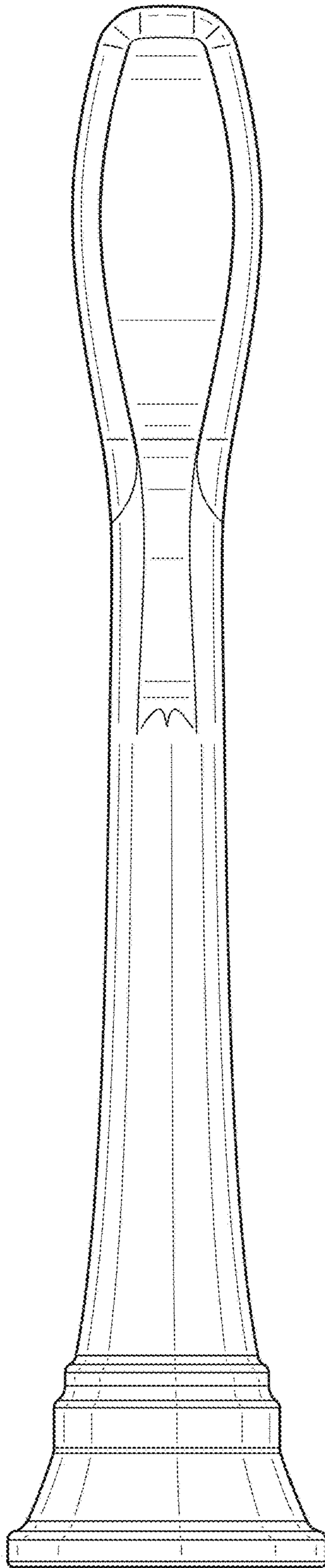


FIG. 12

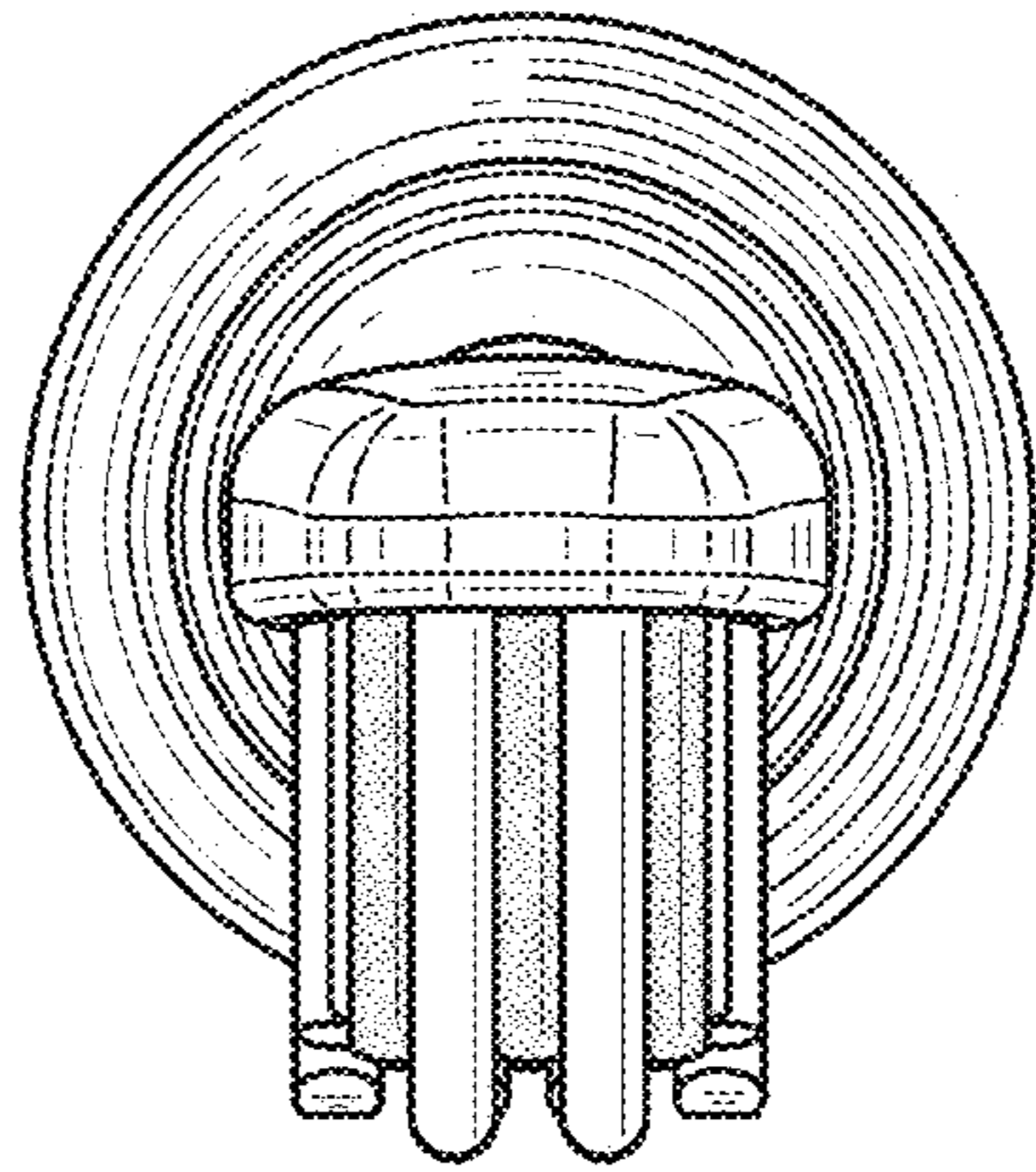


FIG. 13

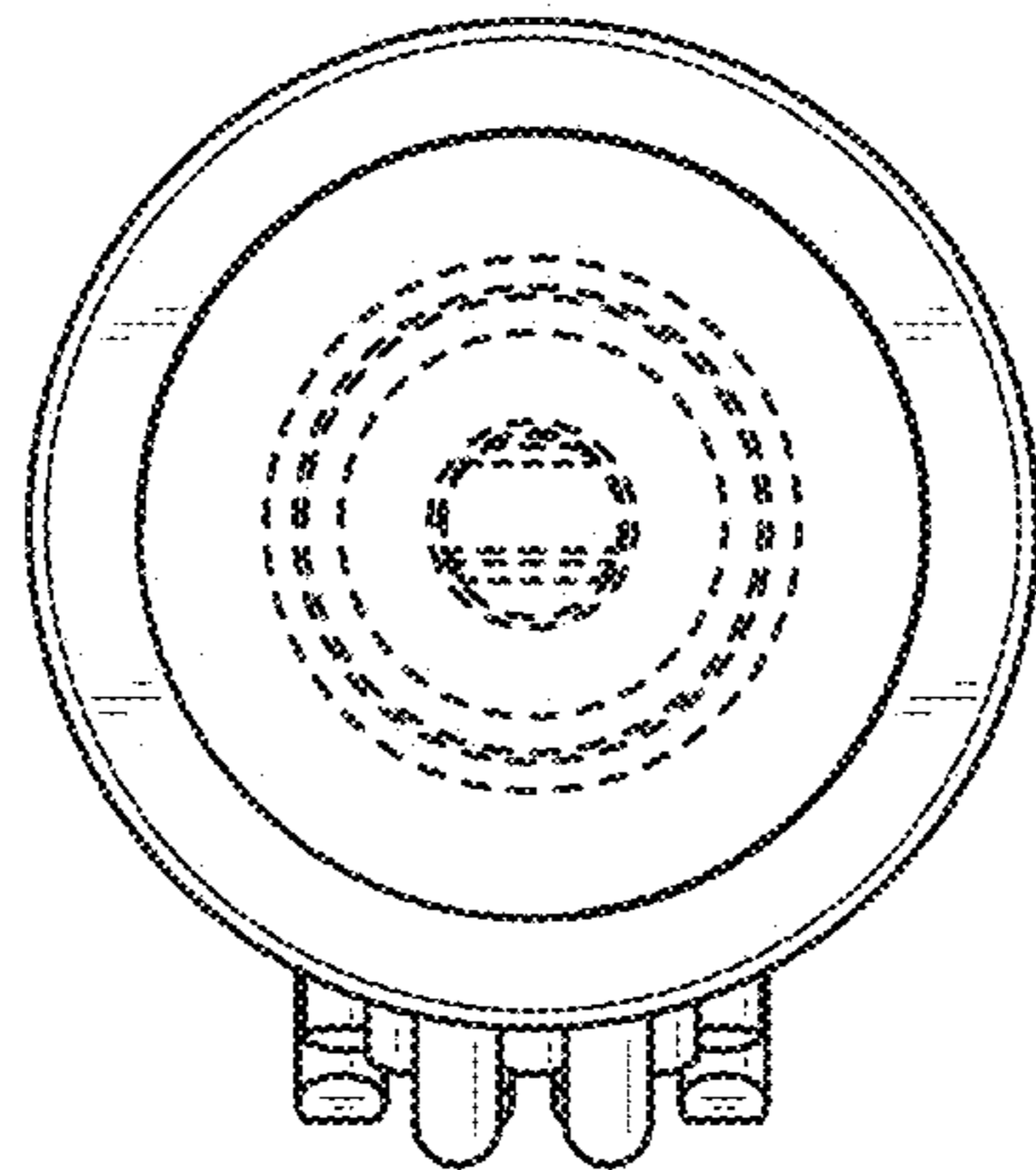


FIG. 14

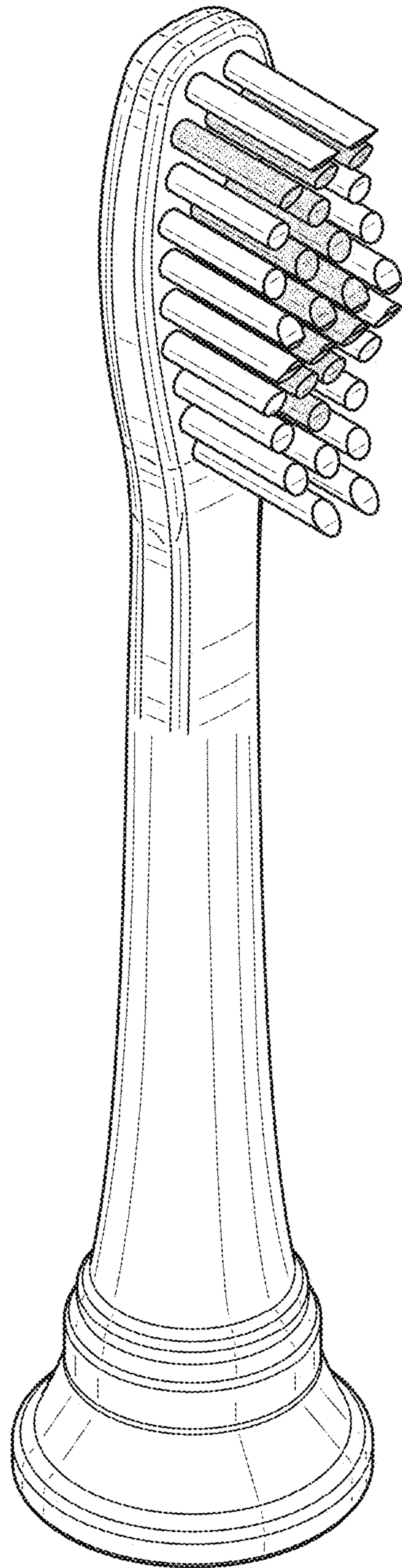


FIG. 15

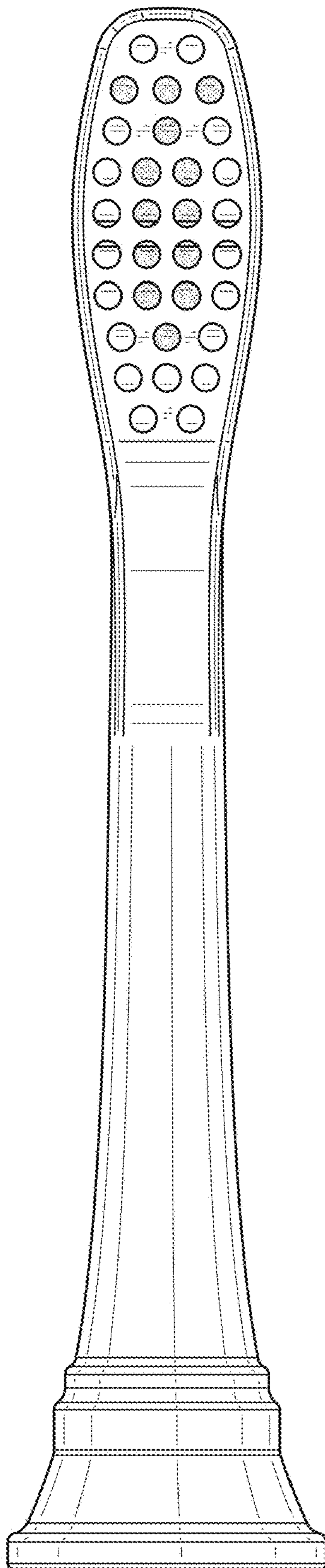


FIG. 16

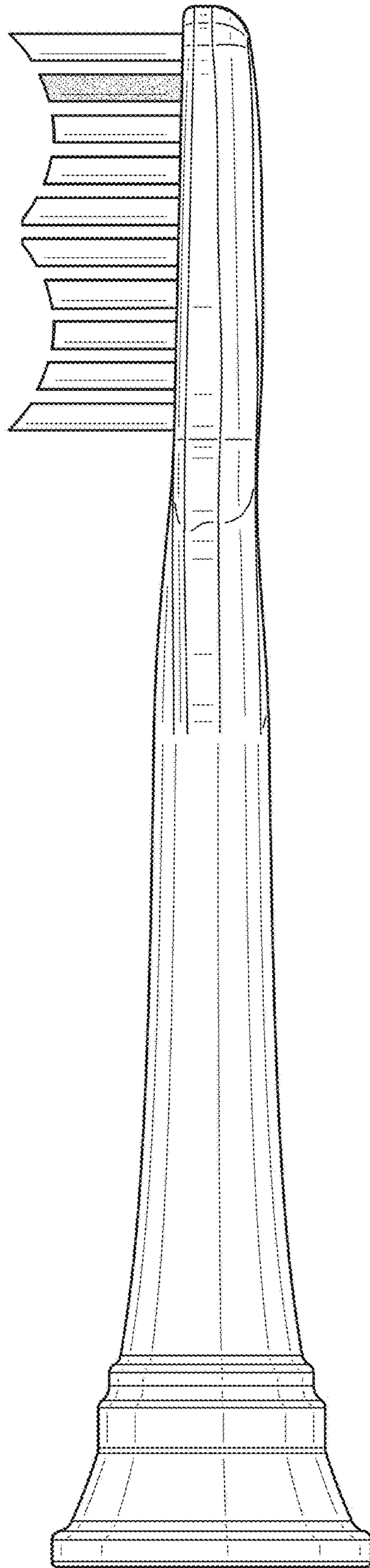


FIG. 17

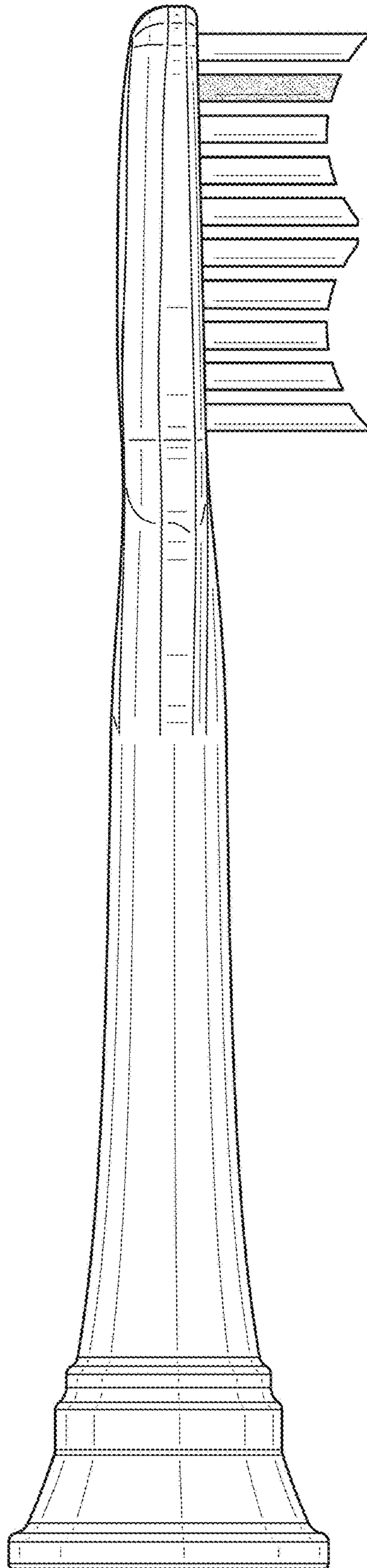


FIG. 18

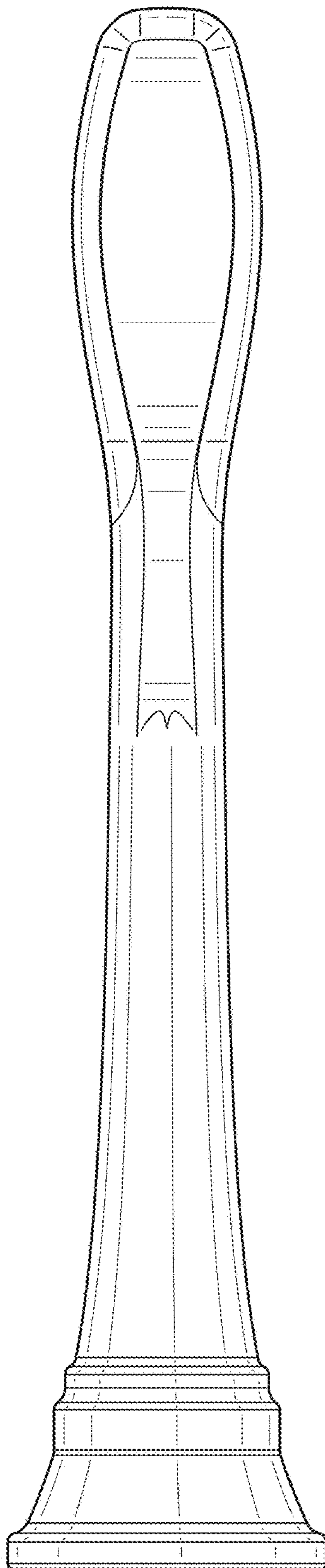


FIG. 19

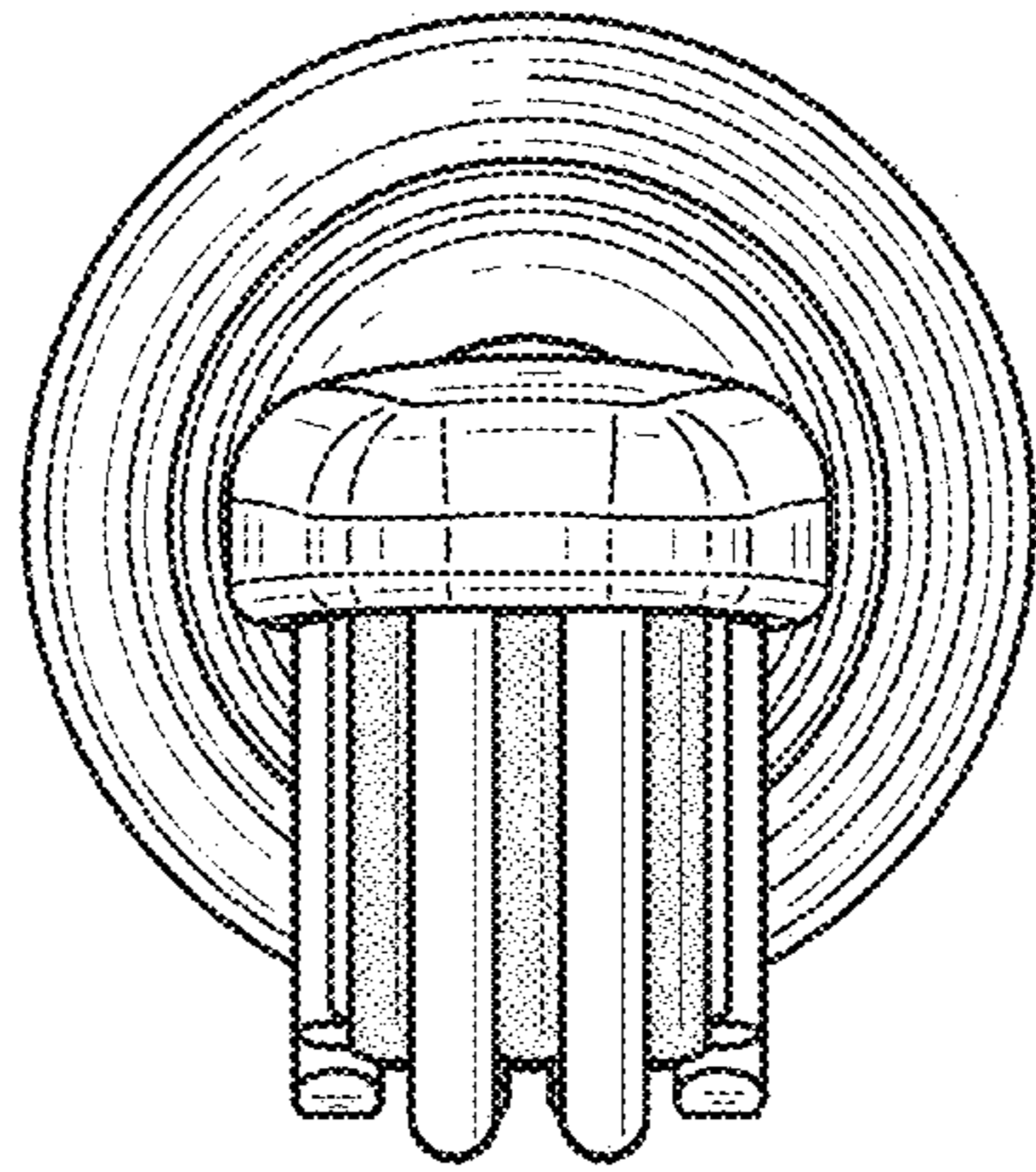


FIG. 20

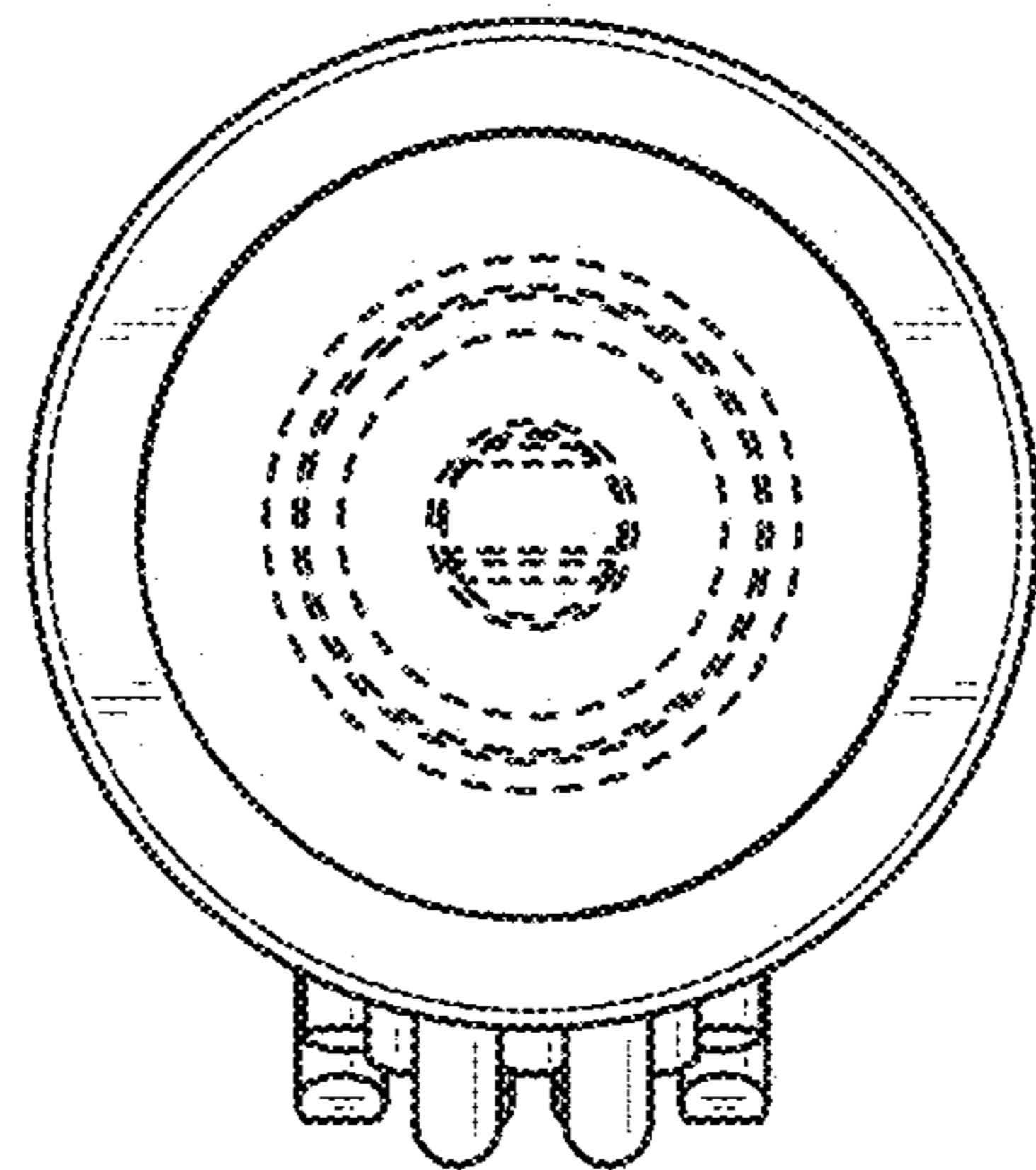


FIG. 21

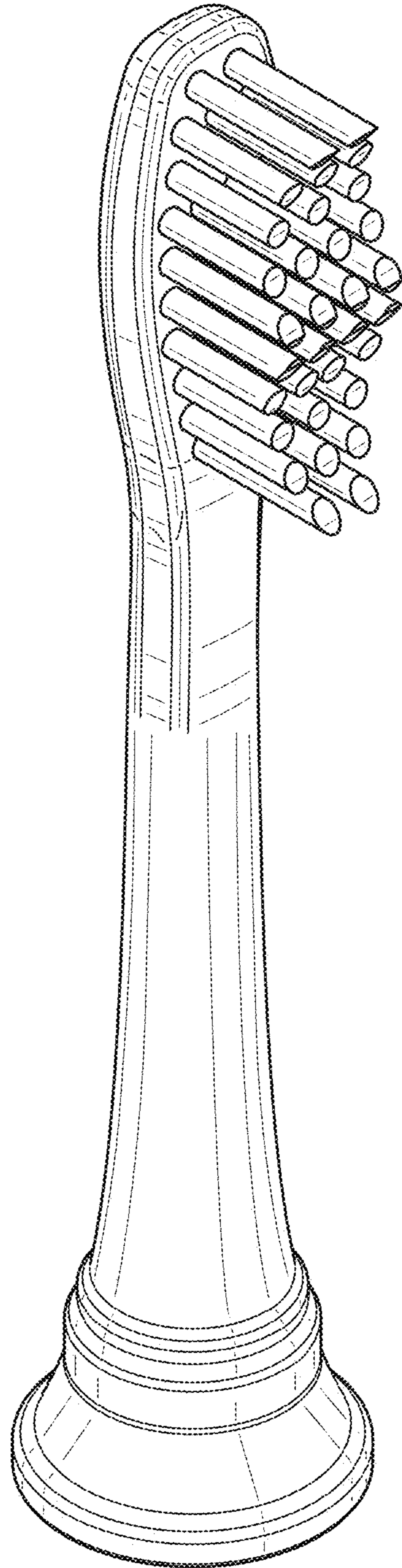


FIG. 22

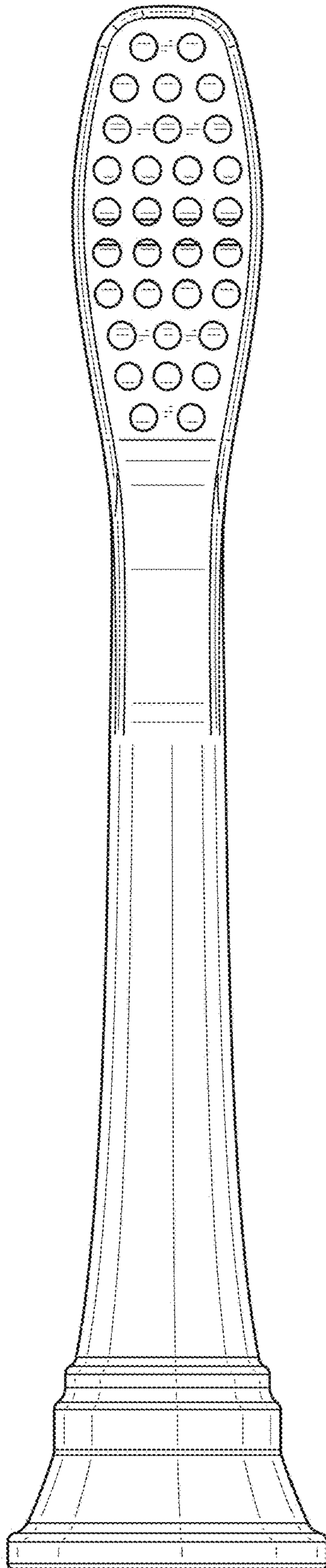


FIG. 23

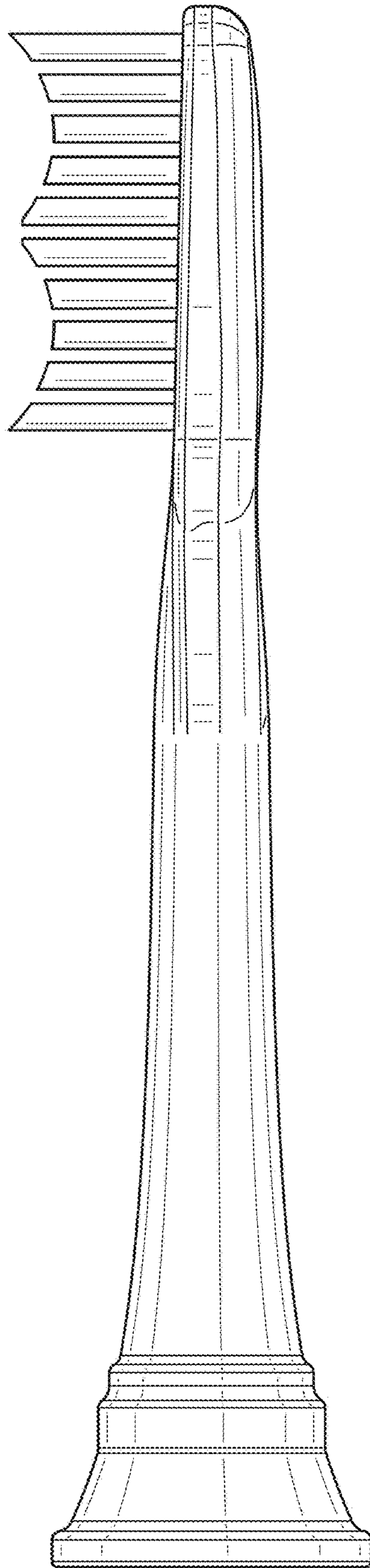


FIG. 24

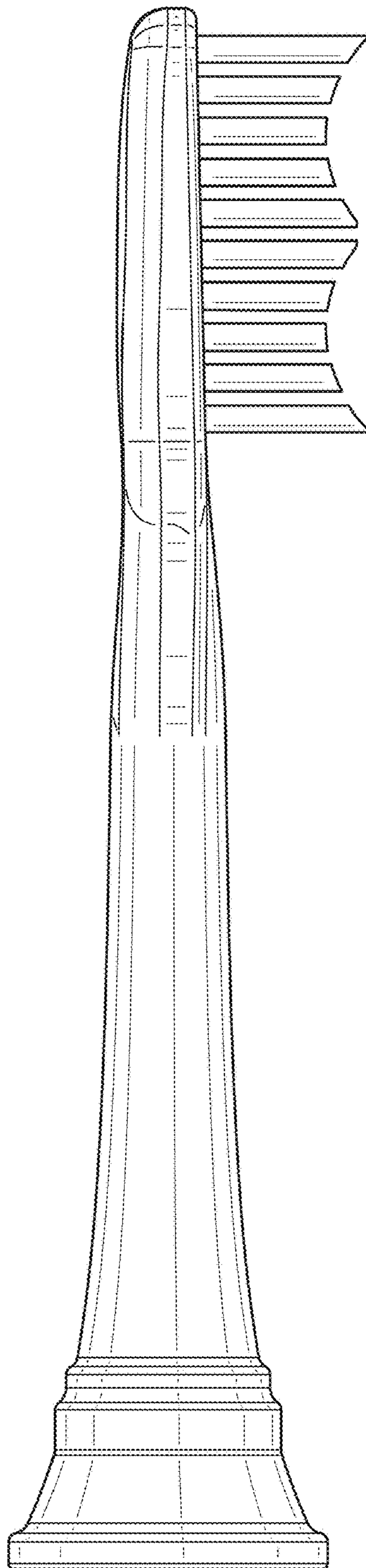


FIG. 25

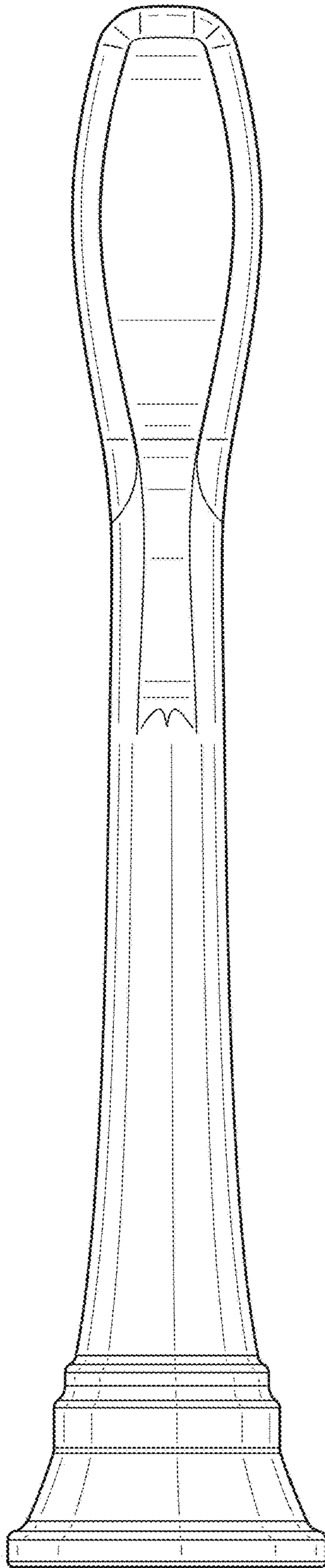


FIG. 26

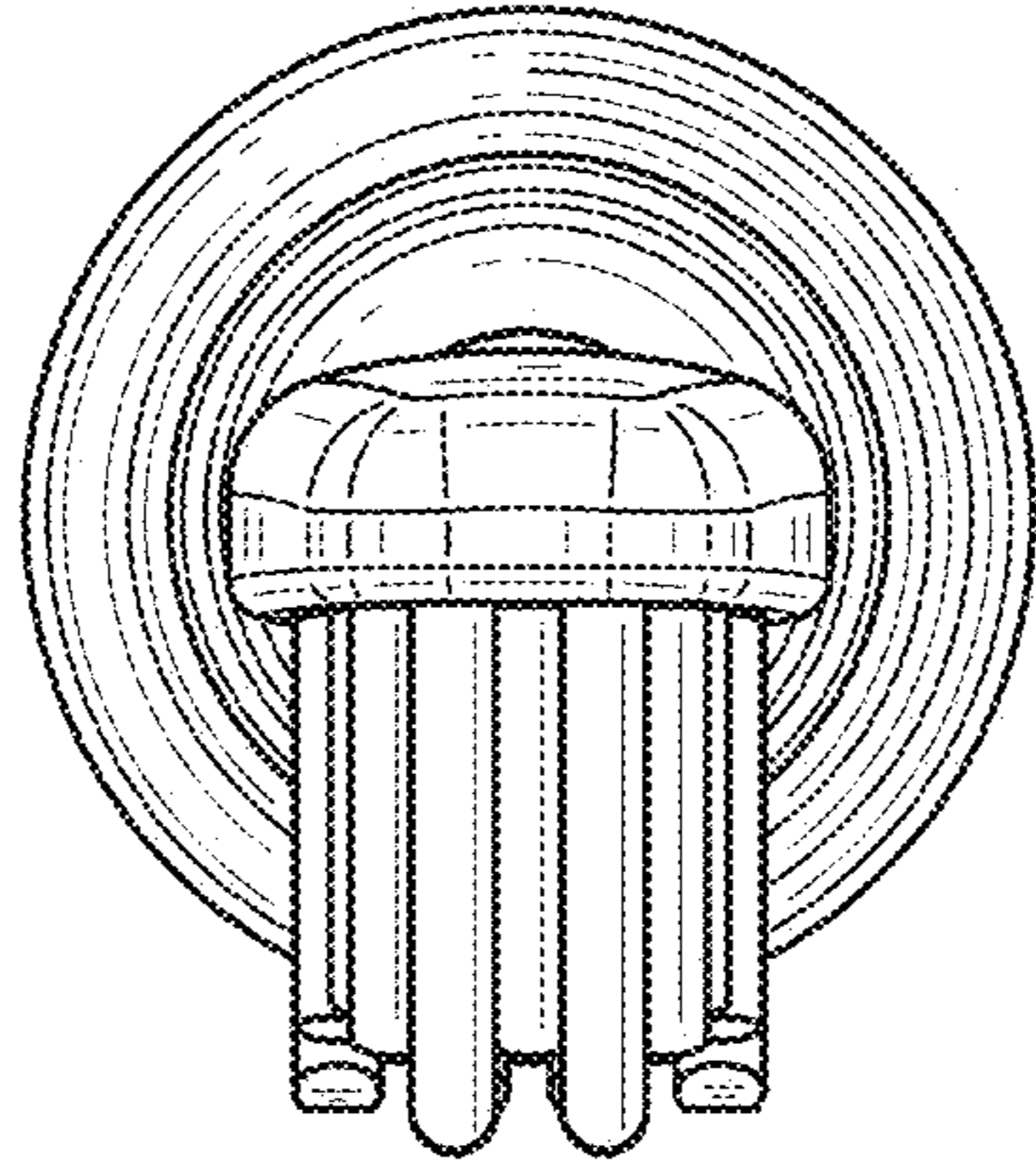


FIG. 27

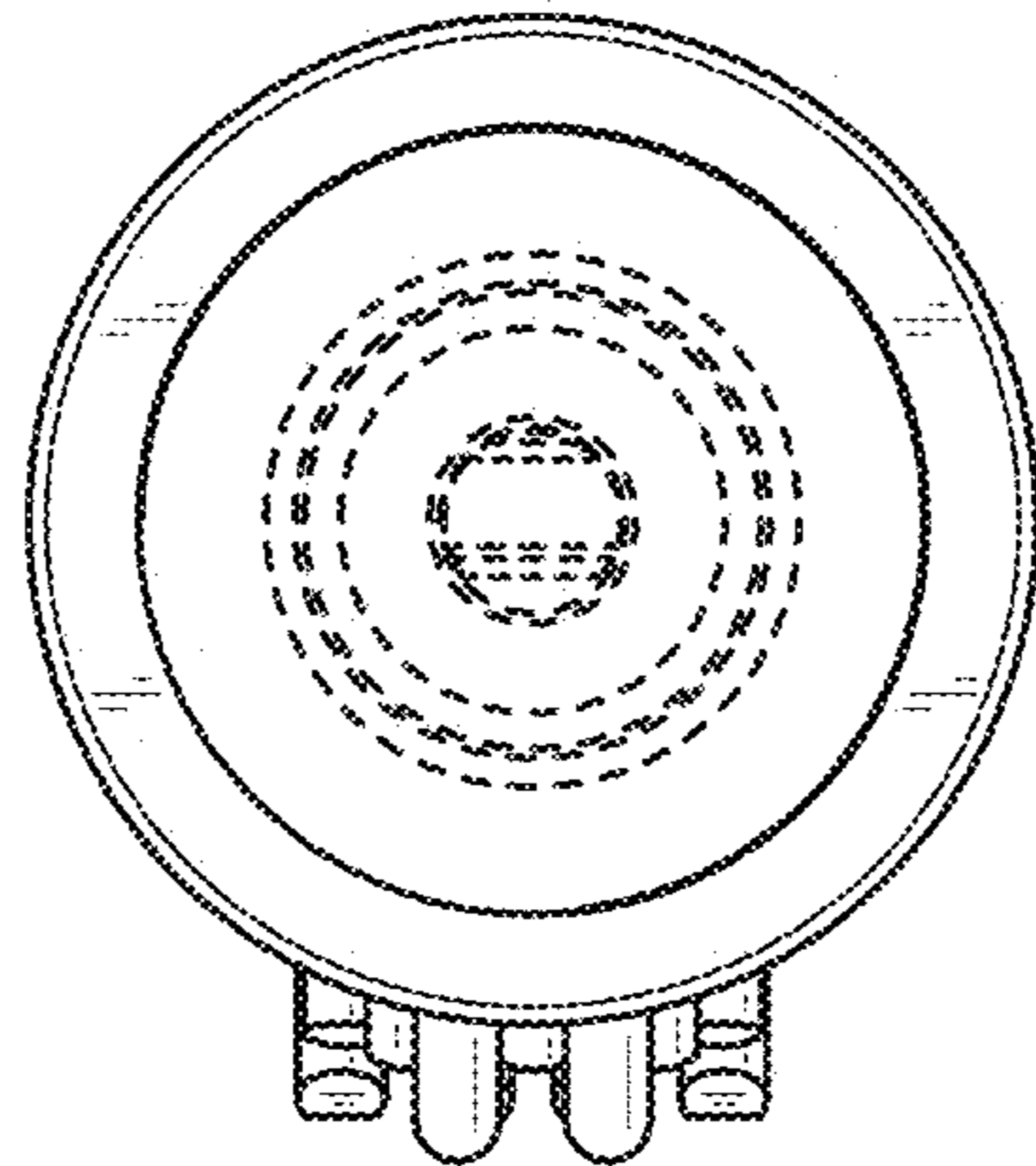


FIG. 28

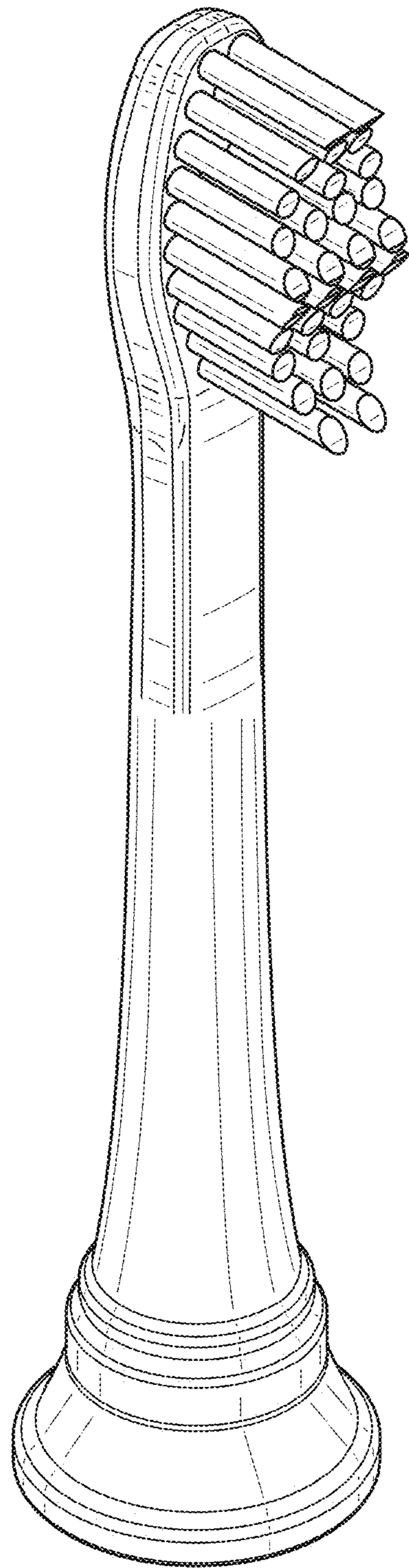


FIG. 29

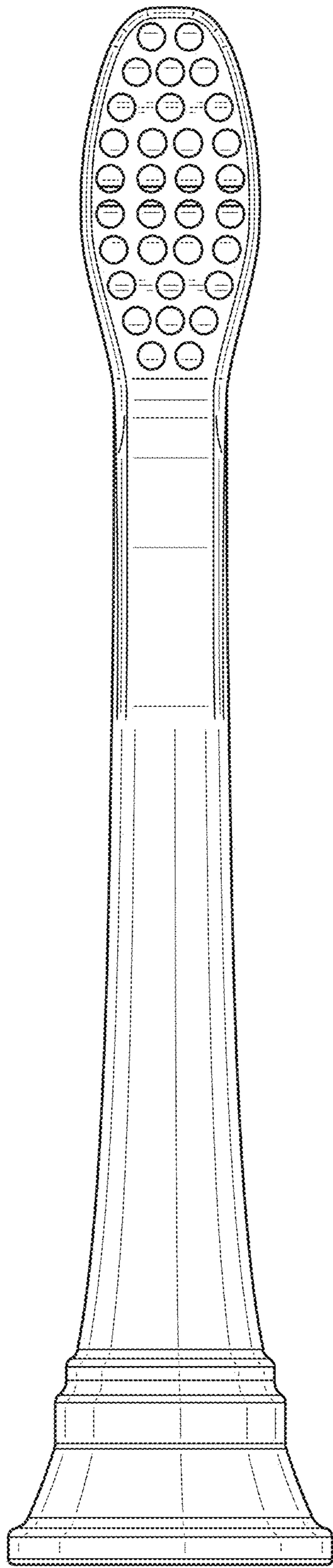


FIG. 30

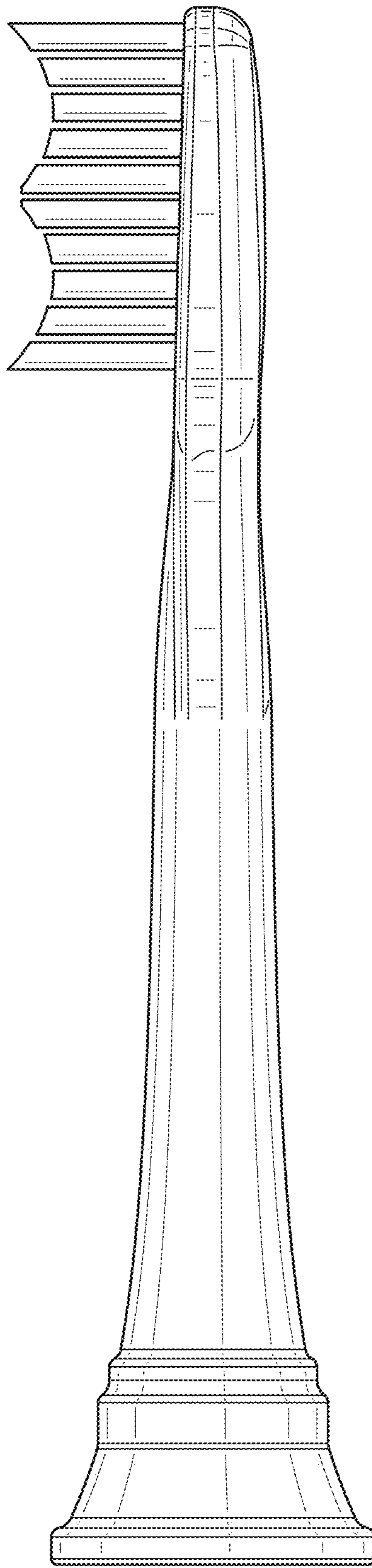


FIG. 31

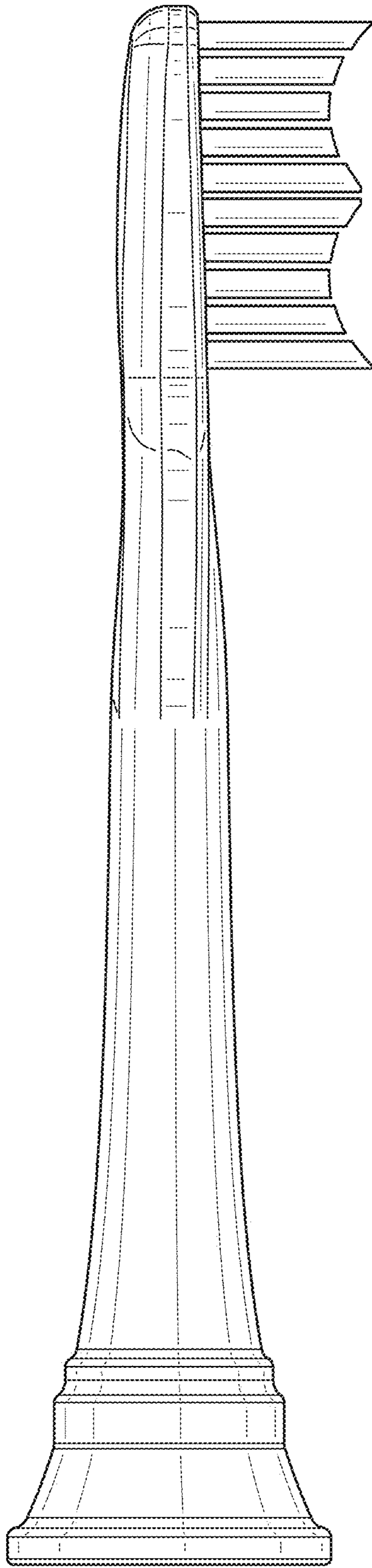


FIG. 32

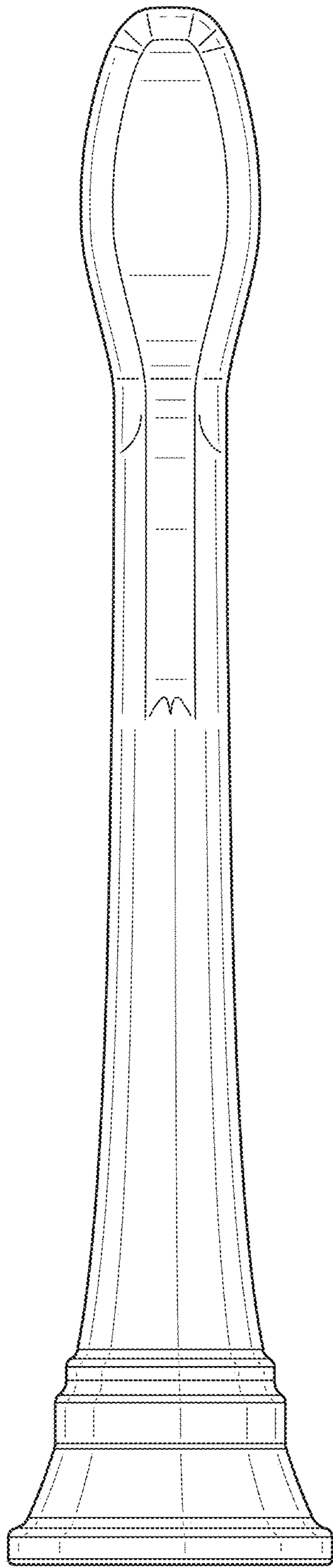


FIG. 33

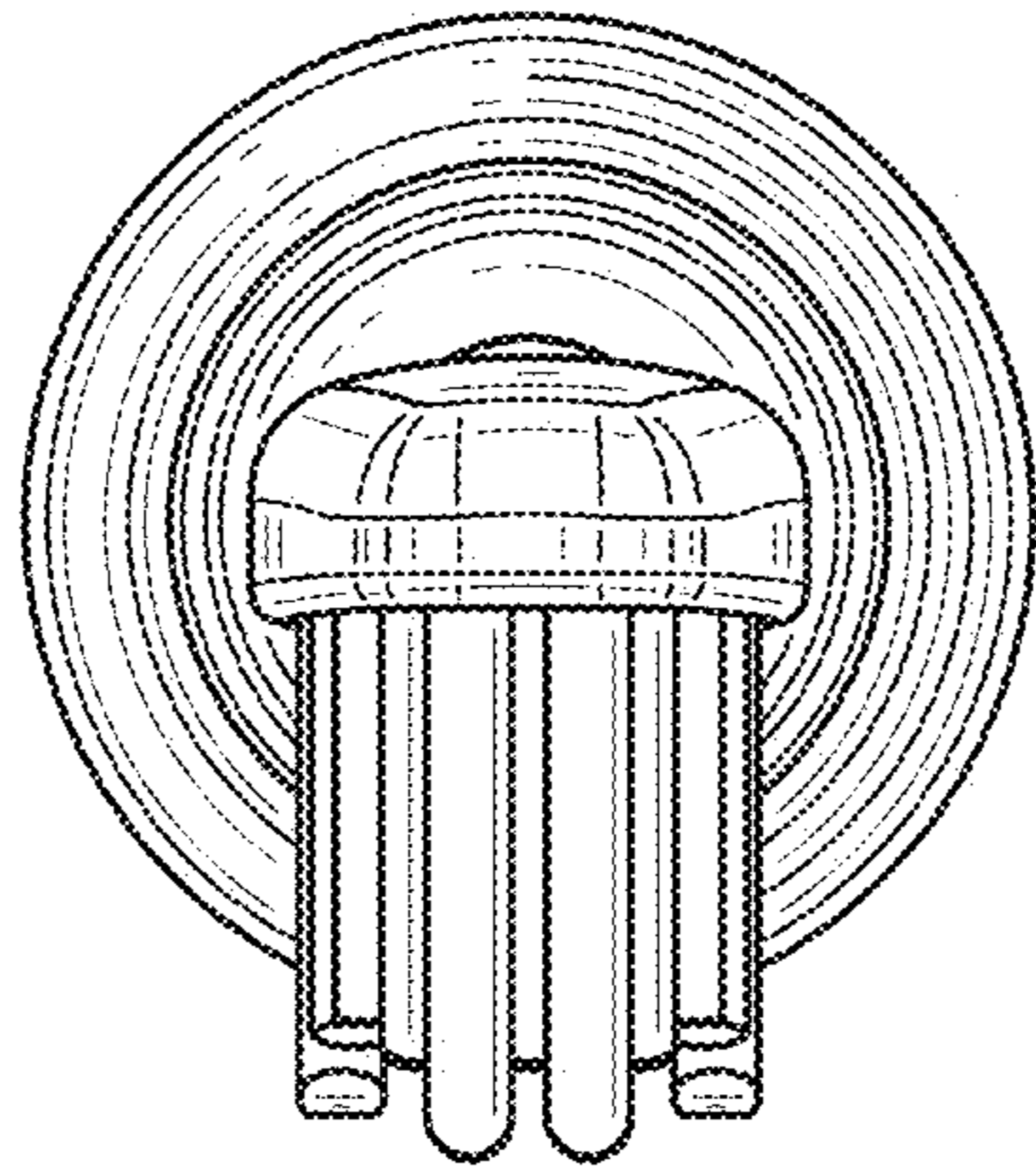


FIG. 34

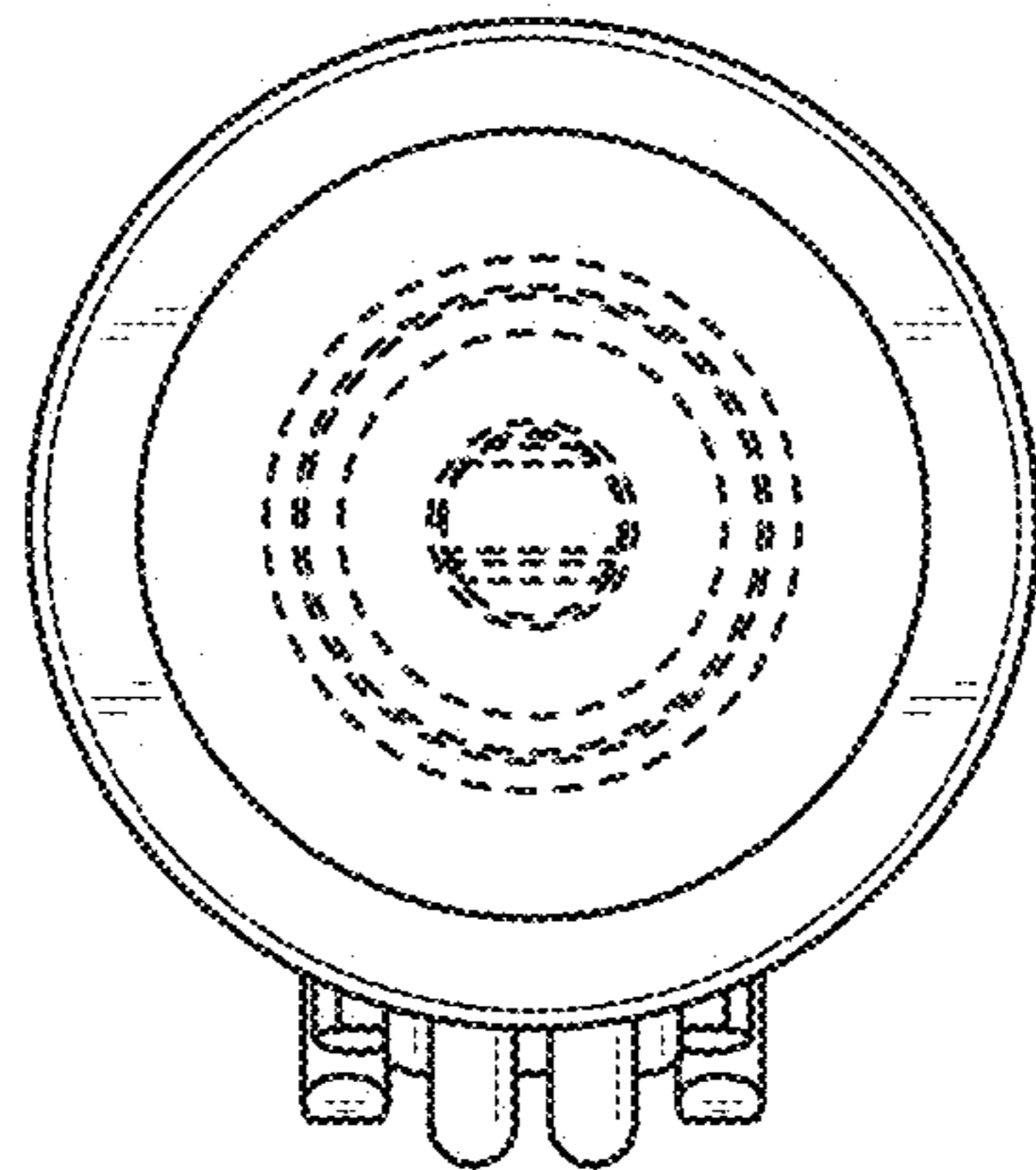


FIG. 35