



US00D954440S

(12) **United States Design Patent** (10) **Patent No.:** **US D954,440 S**
Chen (45) **Date of Patent:** **** Jun. 14, 2022**

(54) **BODY OF ELECTRIC TOOTHBRUSH**

D930,988 S * 9/2021 Albay D4/101
D938,733 S * 12/2021 Wu D4/101
2017/0189151 A1* 7/2017 Fischer A61C 17/3454
2021/0093431 A1* 4/2021 Johnson A61C 17/028

(71) Applicant: **Guangzhou Stars Pulse Co., Ltd.**,
Guangdong (CN)

(72) Inventor: **Jianqun Chen**, Guangdong (CN)

(73) Assignee: **Guangzhou Stars Pulse Co., Ltd.**,
Guangzhou (CN)

(**) Term: **15 Years**

(21) Appl. No.: **29/735,614**

(22) Filed: **May 22, 2020**

(51) **LOC (13) Cl.** **04-02**

(52) **U.S. Cl.**
USPC **D4/101**

(58) **Field of Classification Search**
USPC D4/100-138, 199; D24/176, 181
CPC A46B 2200/1066; A46B 2200/1073; A46B
2200/1086; A46B 5/0095; A46B 9/04;
A46B 9/028; A46B 13/023; A61C 17/16;
A61C 17/122

See application file for complete search history.

(56) **References Cited**

U.S. PATENT DOCUMENTS

D799,217 S * 10/2017 Masee D4/101
D845,636 S * 4/2019 Porter D4/104
D881,584 S * 4/2020 Porter D4/104
D922,074 S * 6/2021 Okai D4/101

OTHER PUBLICATIONS

U-smile brush, ann. 2022 [online], [site visited Jan. 16, 2022].
Available from internet, URL: <https://onewaybeauty.com/products/usmile-u3-new-sonic-electric-toothbrush-micro-bubble-deep-clean-with-replacement-brush-heads-rechargeable-last-for-6-months-on-one-charge-pressure-adaptive-control-automatic> (Year: 2022).*

* cited by examiner

Primary Examiner — Cynthia Ramirez

Assistant Examiner — Tamara L Hahn

(74) *Attorney, Agent, or Firm* — Banner & Witcoff, Ltd.

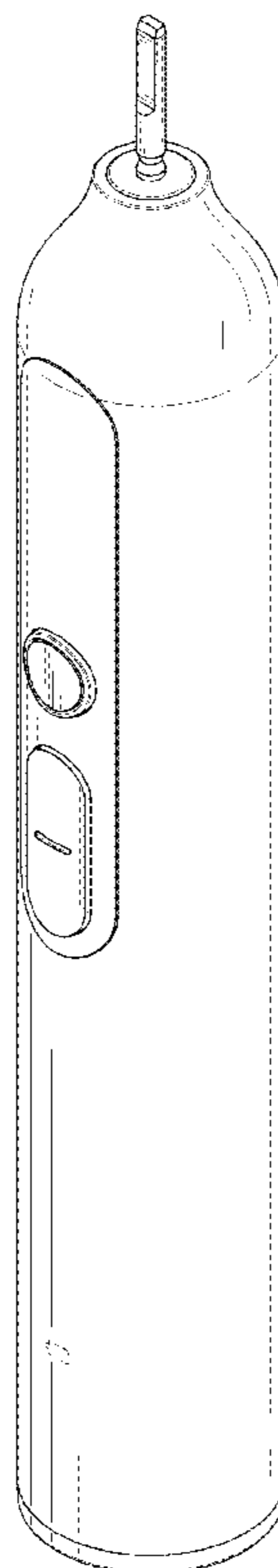
(57) **CLAIM**

The ornamental design for a body of electric toothbrush, as shown and described.

DESCRIPTION

FIG. 1 is a front, right and top side perspective view of a body of electric toothbrush showing our new design;
FIG. 2 rear, left and bottom side perspective view thereof;
FIG. 3 a front elevational view thereof;
FIG. 4 is a rear elevational view thereof;
FIG. 5 is a left side elevational view thereof;
FIG. 6 is a right side elevational view thereof;
FIG. 7 is a top plan view thereof; and,
FIG. 8 is a bottom plan view thereof.

1 Claim, 8 Drawing Sheets



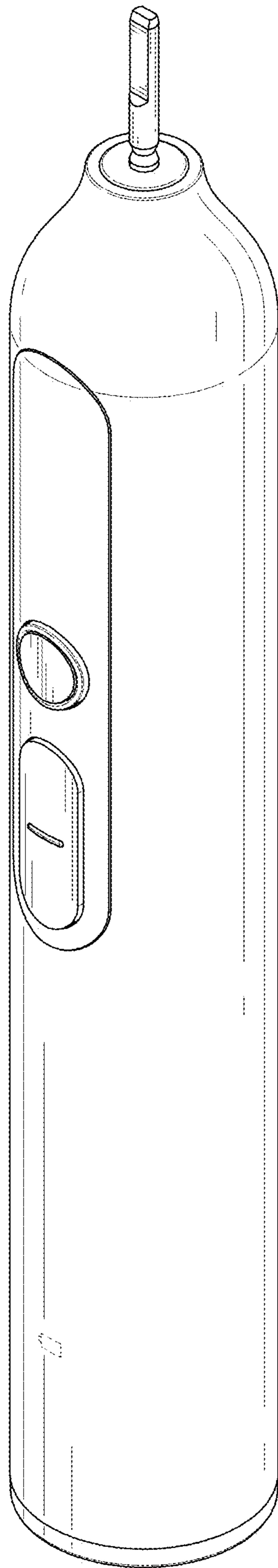


FIG. 1

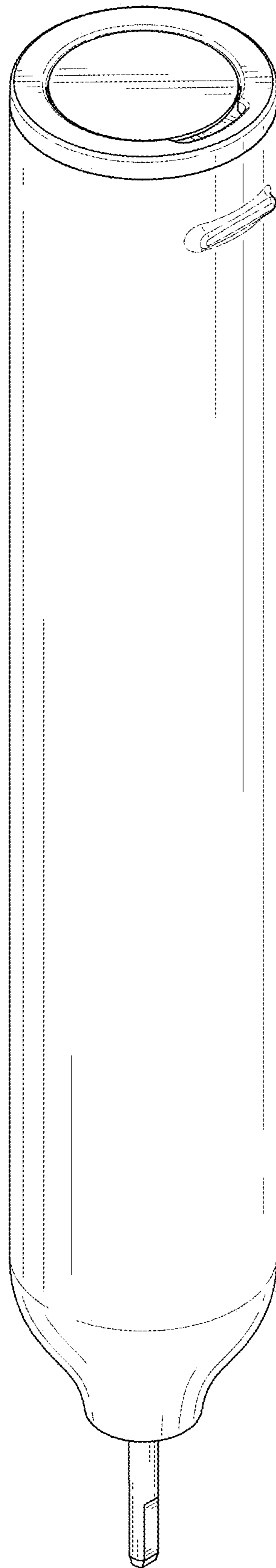


FIG. 2

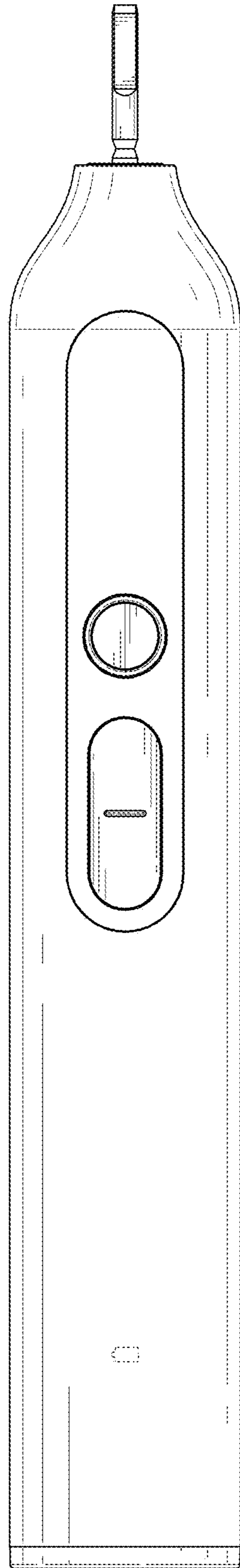


FIG. 3

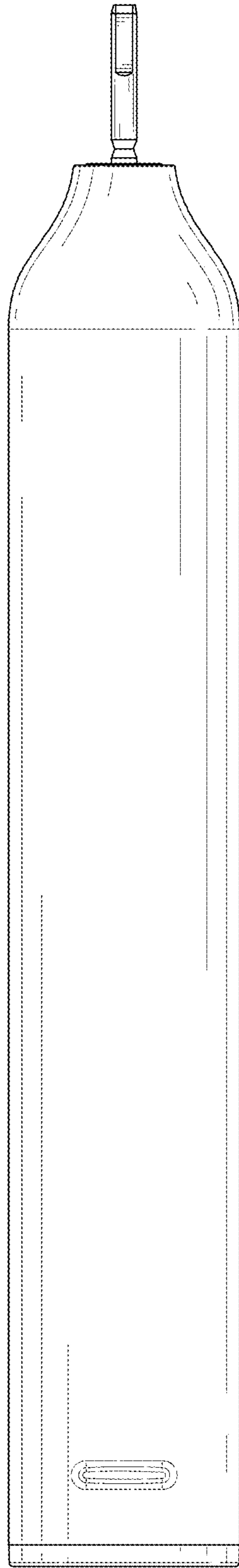


FIG. 4

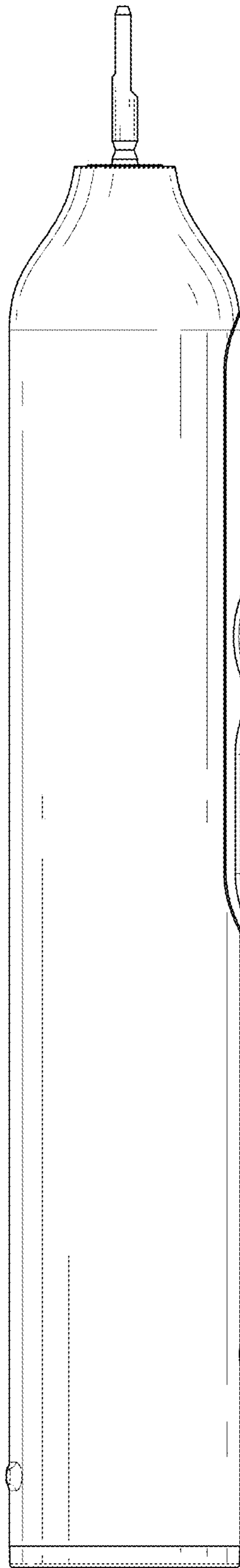


FIG. 5

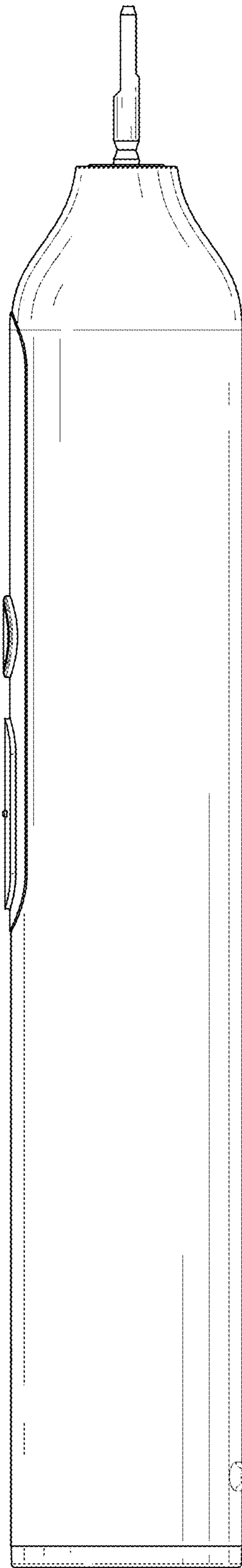


FIG. 6

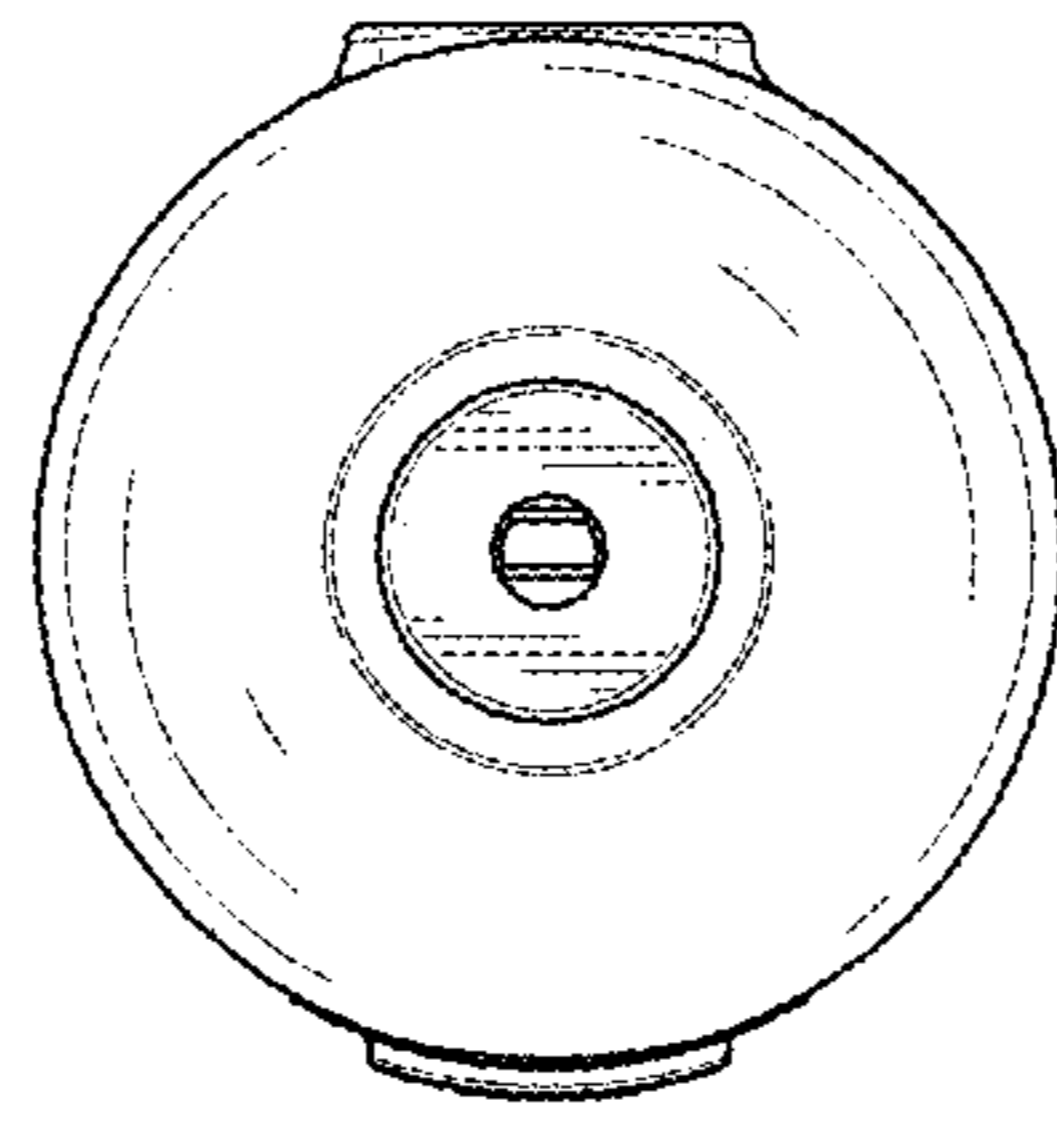


FIG. 7

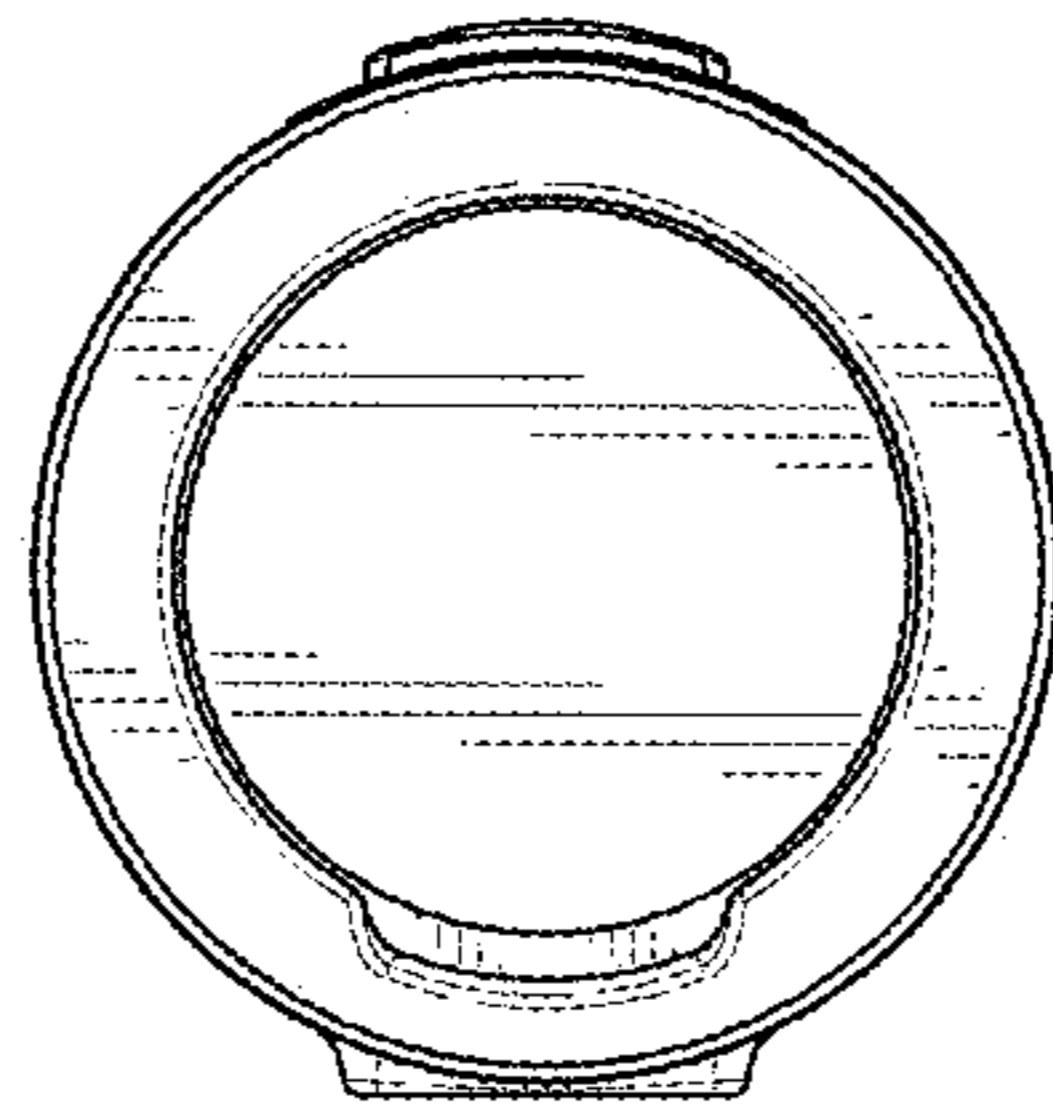


FIG. 8