



US00D954438S

(12) **United States Design Patent**  
**Desroches et al.**

(10) **Patent No.:** **US D954,438 S**  
(45) **Date of Patent:** **\*\* Jun. 14, 2022**

(54) **DUFFEL BAG**

FOREIGN PATENT DOCUMENTS

(71) Applicant: **YETI Coolers, LLC**, Austin, TX (US)  
(72) Inventors: **Donald Edward Desroches**, Austin, TX (US); **John W. Dow**, Austin, TX (US); **Calvin Tabor**, Austin, TX (US)

CN 301754536 12/2011  
CN 302769599 3/2014

(Continued)

(73) Assignee: **YETI Coolers, LLC**, Austin, TX (US)

(\*\*) Term: **15 Years**

(21) Appl. No.: **29/762,951**

(22) Filed: **Dec. 18, 2020**

(51) **LOC (13) Cl.** ..... **03-01**

(52) **U.S. Cl.**  
USPC ..... **D3/319**; D3/289

(58) **Field of Classification Search**  
USPC ..... D3/203.1–203.2, 203.5–203.6, 206, 254, D3/263, 267–268, 272–273, 276, 279, D3/281–290, 294, 299, 301, 303, D3/318–319, 321, 327, 902  
CPC .. A45C 1/024; A45C 3/00; A45C 3/02; A45C 2003/007; A45C 2003/008; A45C 5/00; A45C 5/02; A45C 5/03; A45C 5/04; A45C 5/06; A45C 5/14; A45C 5/005; A45C 2005/032; A45C 2005/035; A45C 2005/037; A45C 2005/142; A45C 2005/148; A45C 7/00; A45C 7/0018; A45C 7/0036; A45C 2011/003; A45C 13/02; A45C 13/28; A45C 13/36; A45C 13/385

See application file for complete search history.

(56) **References Cited**

U.S. PATENT DOCUMENTS

4,488,624 A 12/1984 Myers  
D281,646 S 12/1985 Bomes et al.  
D281,649 S 12/1985 Bomes et al.  
4,895,230 A 1/1990 King

(Continued)

OTHER PUBLICATIONS

Haven Athletic gym bag features compartments and dividers for useful internal organization, posted Jul. 16, 2021, thegadgetflow.com [online] [site visited Nov. 4, 2021] Available at URL: https://thegadgetflow.com/portfolio/haven-athletic-gym-bag-features-compartments-and-dividers-for-useful-internal-organization (Year: 2021).\*

(Continued)

*Primary Examiner* — Jeffrey D Asch  
*Assistant Examiner* — Caitlin A Laverty

(74) *Attorney, Agent, or Firm* — Banner & Witcoff, Ltd.

(57) **CLAIM**

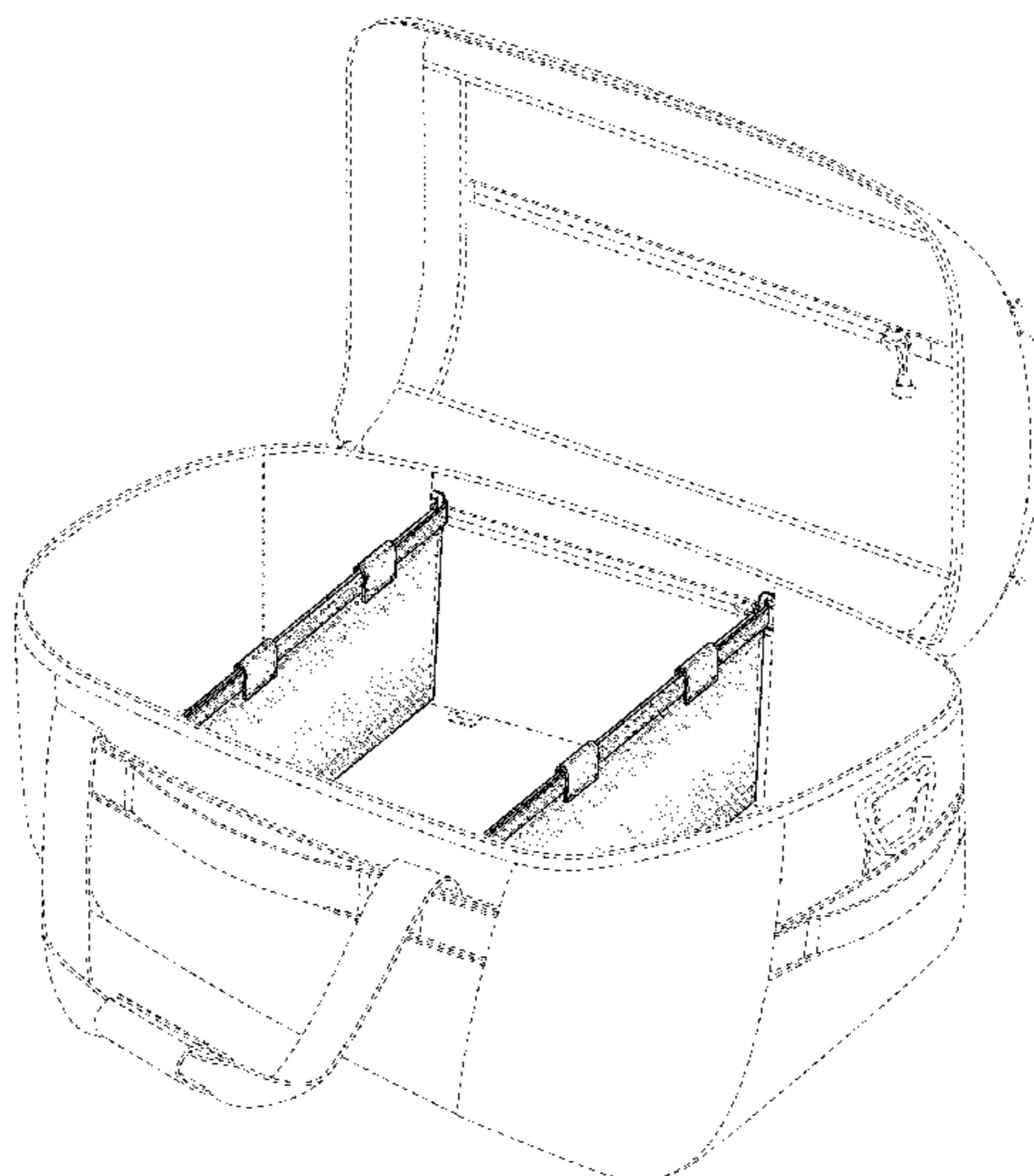
The ornamental design for a duffel bag, as shown and described.

**DESCRIPTION**

FIG. 1 is a front perspective view of a duffel bag showing our new design with the internal elements in a downward configuration;  
FIG. 2 is a rear perspective view thereof;  
FIG. 3 is a top view thereof;  
FIG. 4 is a rear view thereof;  
FIG. 5 is a front perspective view of the duffel bag of FIGS. 1-4 showing the internal elements in an upright configuration;  
FIG. 6 is a rear perspective view thereof;  
FIG. 7 is a top view thereof; and,  
FIG. 8 is a rear view thereof.

The broken lines showing portions of the duffel bag, including stitching, form no part of the claimed design.

**1 Claim, 8 Drawing Sheets**



(56)

References Cited

FOREIGN PATENT DOCUMENTS

U.S. PATENT DOCUMENTS

6,076,641 A \* 6/2000 Kinzer ..... A45C 5/14  
 16/18 CG  
 6,189,154 B1 \* 2/2001 Ducharme ..... A45C 13/02  
 2/247  
 D447,629 S \* 9/2001 Gardner ..... D3/254  
 6,296,165 B1 10/2001 Mears  
 6,334,519 B1 1/2002 Tong  
 6,508,358 B2 1/2003 Cheng  
 D478,782 S 8/2003 Li  
 6,742,635 B2 6/2004 Hirshberg  
 6,821,019 B2 11/2004 Mogil  
 7,004,363 B2 2/2006 Fenton et al.  
 D518,956 S 4/2006 Van Himbeeck  
 D548,966 S 8/2007 Aliberti et al.  
 D620,708 S 8/2010 Sanz  
 D625,102 S 10/2010 Jacobs  
 D652,215 S \* 1/2012 Baas ..... D3/303  
 D671,317 S 11/2012 Sabounjian  
 D680,739 S 4/2013 Hock  
 D681,329 S 5/2013 Hock  
 D698,150 S 1/2014 Sabounjian  
 D727,017 S 4/2015 Aberg et al.  
 9,004,760 B2 4/2015 Tzortzis  
 D732,824 S 6/2015 Tzortzis  
 D733,432 S \* 7/2015 Johnson ..... D3/318  
 9,259,066 B2 2/2016 Pratt  
 D754,440 S 4/2016 Ford  
 D757,432 S 5/2016 Hansen  
 D758,075 S 6/2016 Quarry et al.  
 9,392,855 B2 7/2016 Taylor  
 D782,820 S 4/2017 Thompson  
 D808,225 S 1/2018 Seiders et al.  
 10,143,281 B1 \* 12/2018 Gardner ..... A45C 13/03  
 D845,619 S \* 4/2019 Cronkshaw ..... D3/232  
 10,271,626 B1 4/2019 Anderson  
 D853,115 S 7/2019 Seiders et al.  
 10,433,624 B2 10/2019 Amago  
 D871,162 S 12/2019 Jacobsen  
 D895,284 S \* 9/2020 Sun ..... D3/287  
 D920,665 S \* 6/2021 Wu ..... D3/274  
 D940,455 S \* 1/2022 Ulfers ..... D3/285  
 2004/0149600 A1 8/2004 Wolter et al.  
 2012/0267365 A1 10/2012 Sabounjian  
 2013/0188892 A1 7/2013 Bevier  
 2013/0322786 A1 12/2013 Nassanian  
 2015/0083537 A1 3/2015 Ranly  
 2017/0020250 A1 1/2017 Boschan  
 2018/0098607 A1 4/2018 Seiders et al.  
 2018/0279733 A1 10/2018 Young et al.  
 2019/0022262 A1 1/2019 Andrews et al.  
 2019/0239609 A1 8/2019 Lee  
 2020/0037720 A1 \* 2/2020 Streng ..... B25H 3/022

CN 303830711 9/2016  
 CN 304181898 6/2017  
 CN 304790697 8/2018  
 CN 304808664 9/2018  
 CN 304896054 11/2018  
 CN 304896055 11/2018  
 CN 305495244 12/2019  
 CN 305584033 2/2020  
 DE 8535946 U1 2/1986  
 DE 202019104959 U1 12/2019  
 EM 000281365-0013 3/2005  
 EM 001566639-0010 9/2009  
 EM 002309591-0001 12/2013  
 EM 002309591-0002 12/2013  
 EM 002309591-0003 12/2013  
 EM 002309591-0004 12/2013  
 EM 002309591-0005 12/2013  
 EM 002872192-0010 2/2016  
 EM 003359199-0002 9/2016  
 EM 002942987-0004 3/2017  
 EM 002942987-0005 3/2017  
 EM 005824794-0001 11/2018  
 EM 006619219-0001 7/2019  
 EM 006619219-0002 7/2019  
 EM 006700647-0002 8/2019  
 EM 007145461-0012 11/2019  
 GB 2230941 B 3/1991  
 GB 2472395 B 4/2013  
 HU 89555-0001 6/2003  
 JP D1176604 6/2003  
 JP D1441795 5/2012  
 KR 300687326.0000 4/2013  
 KR 101371564 B1 3/2014  
 KR 300899220.0000 3/2017  
 WO D039724-011 6/1997

OTHER PUBLICATIONS

Driver Gear Storage—What Bags Do We, unknown first available date, camp365.top [online] [site visited Nov. 4, 2021], Available at URL: [https://www.camp365.top/ProductDetail.aspx?iid=339068363&pr=\(Year: 2021\).](https://www.camp365.top/ProductDetail.aspx?iid=339068363&pr=(Year:2021).)\*  
 The Player Bag | The Ultimate Hockey Bag, unknown first available date, pacificrink.com [online], [site visited Nov. 4, 2021], Available at URL: <https://www.pacificrink.com/products/player-bag> (Year: 2021).\*  
 YETI Crossroads Duffels, video by YouTube user YETI, posted Apr. 8, 2021, youtube.com [online], [site visited Nov. 4, 2021], Available at URL: <https://www.youtube.com/watch?v=XgYOIF2IHFU> (Year: 2021).\*

\* cited by examiner



FIG. 1

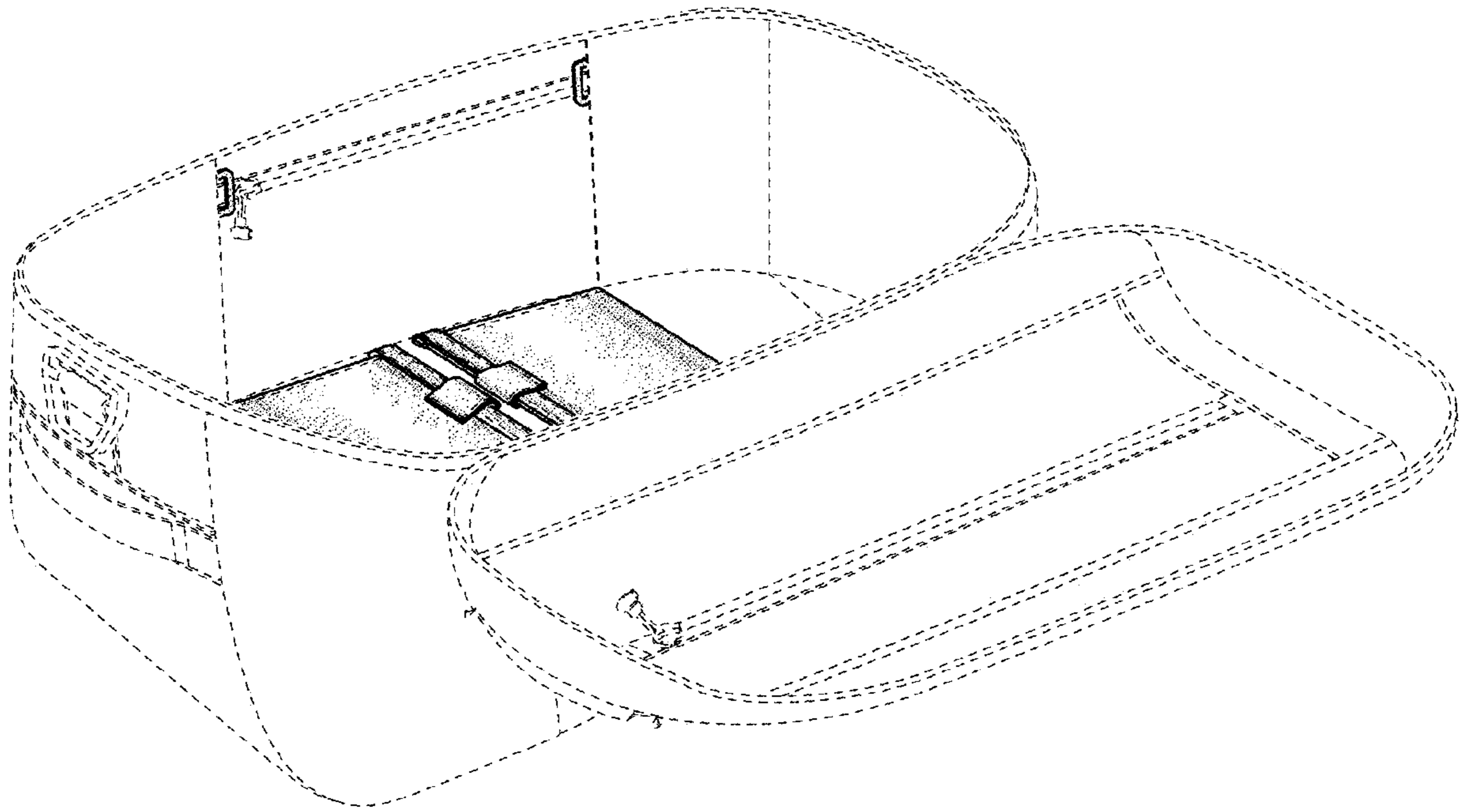


FIG. 2

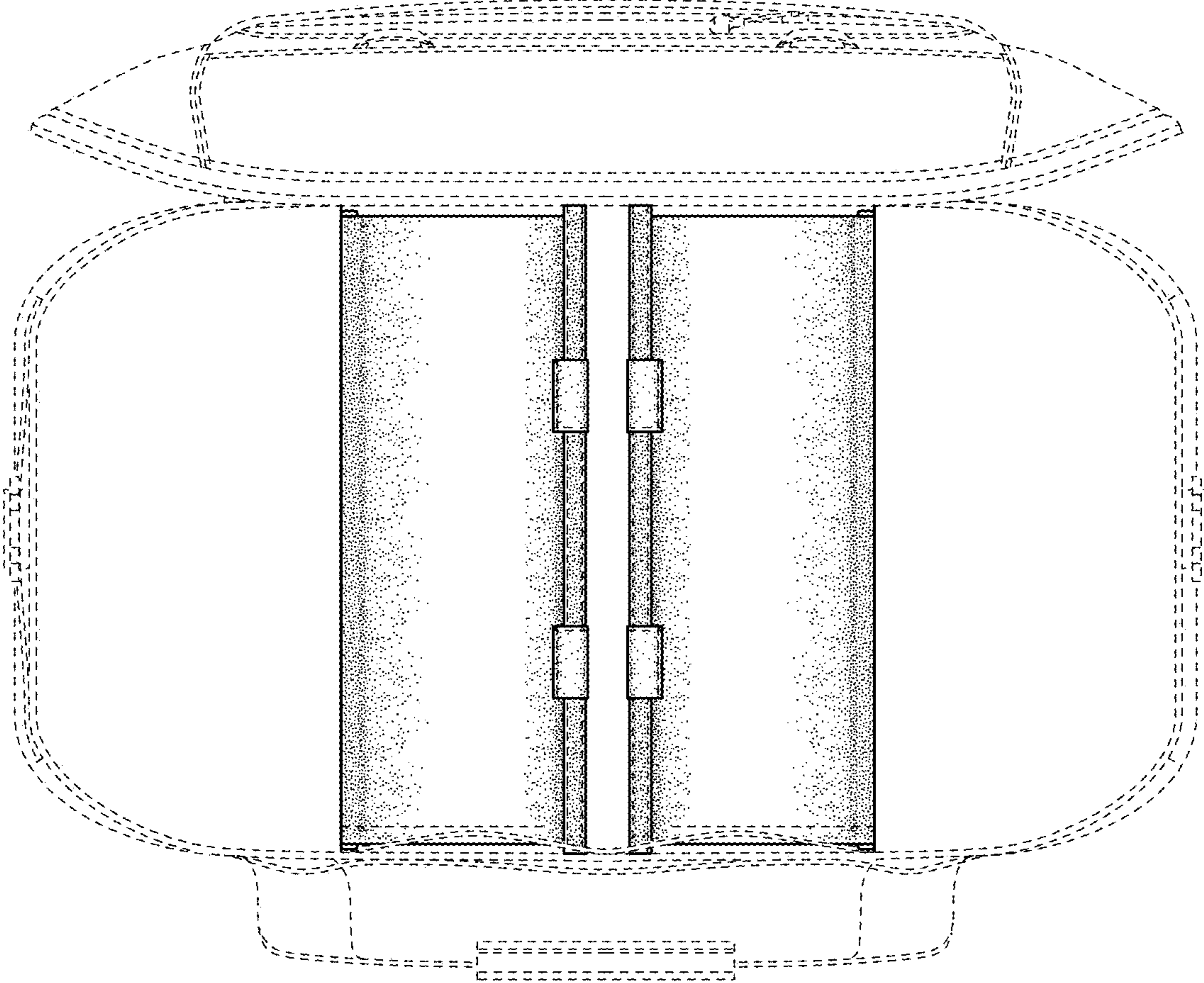


FIG. 3

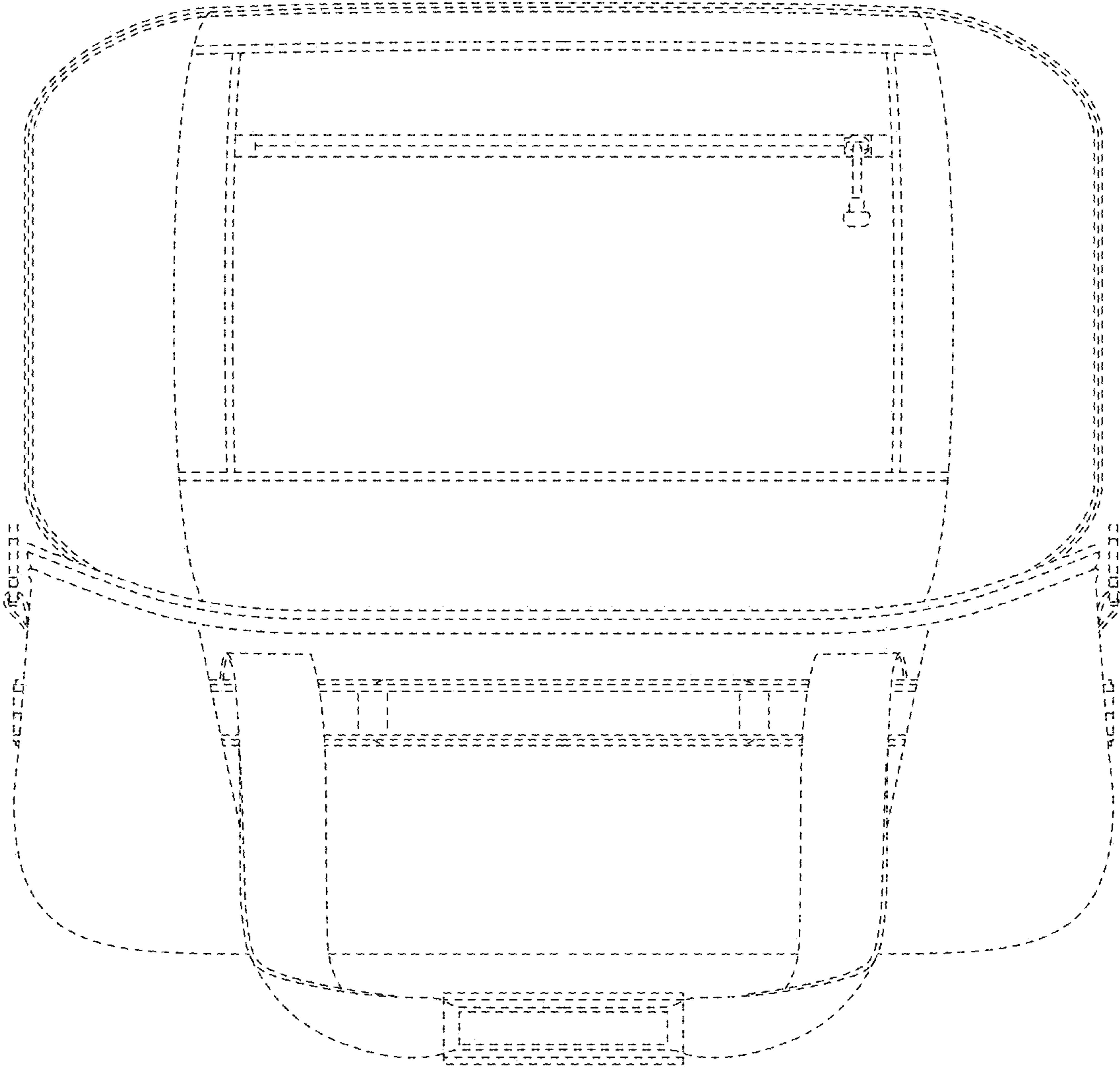


FIG. 4

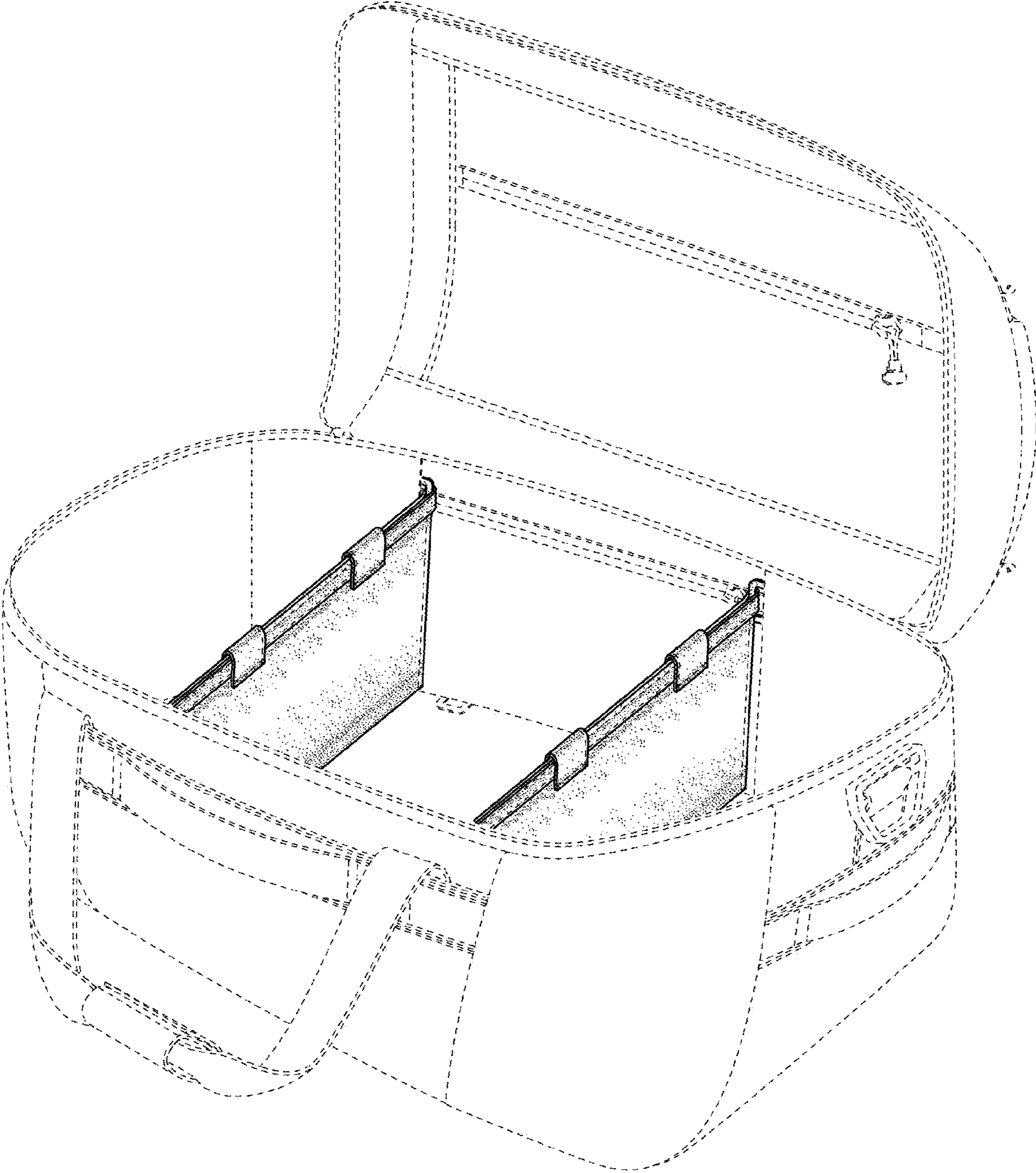


FIG. 5

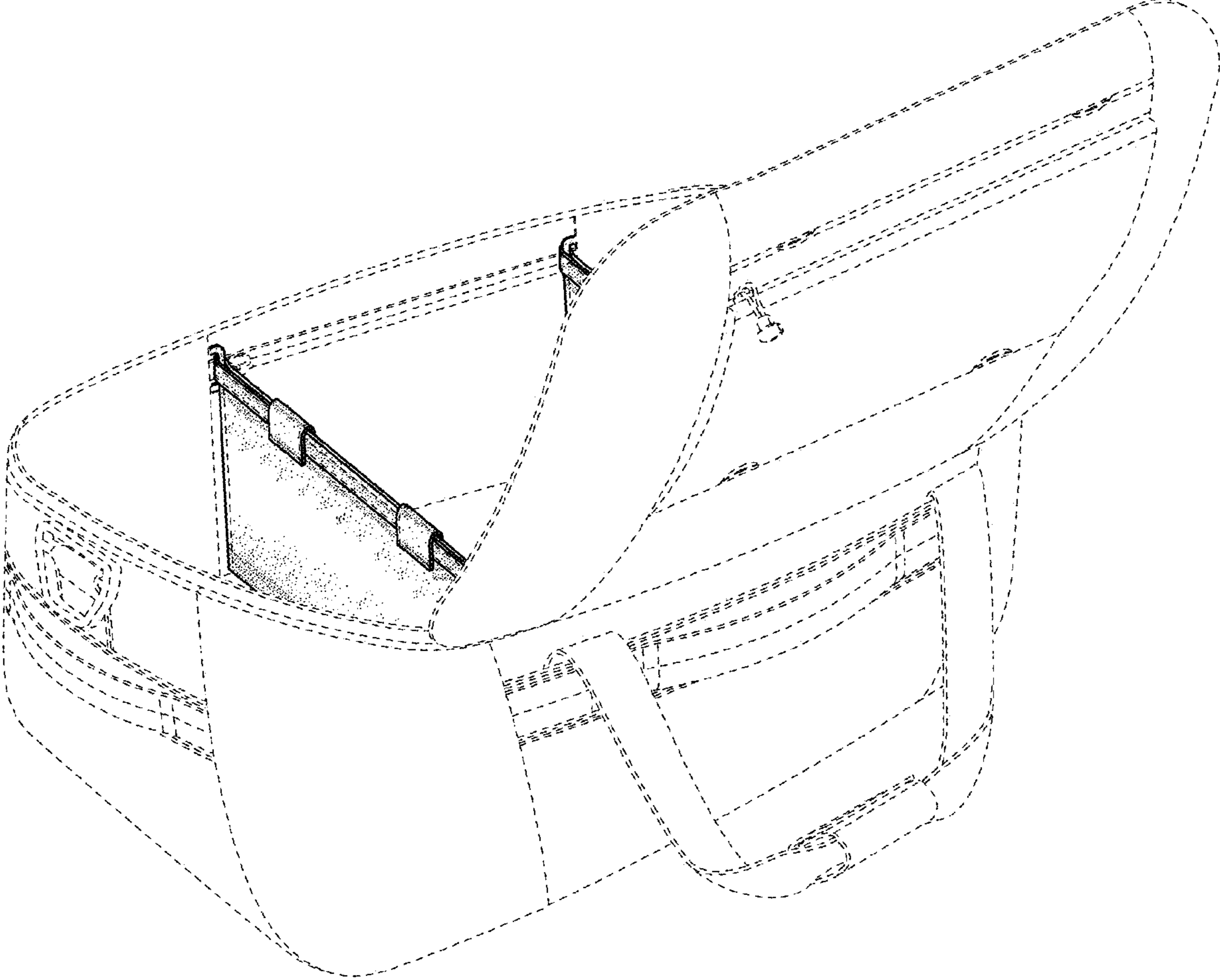


FIG. 6



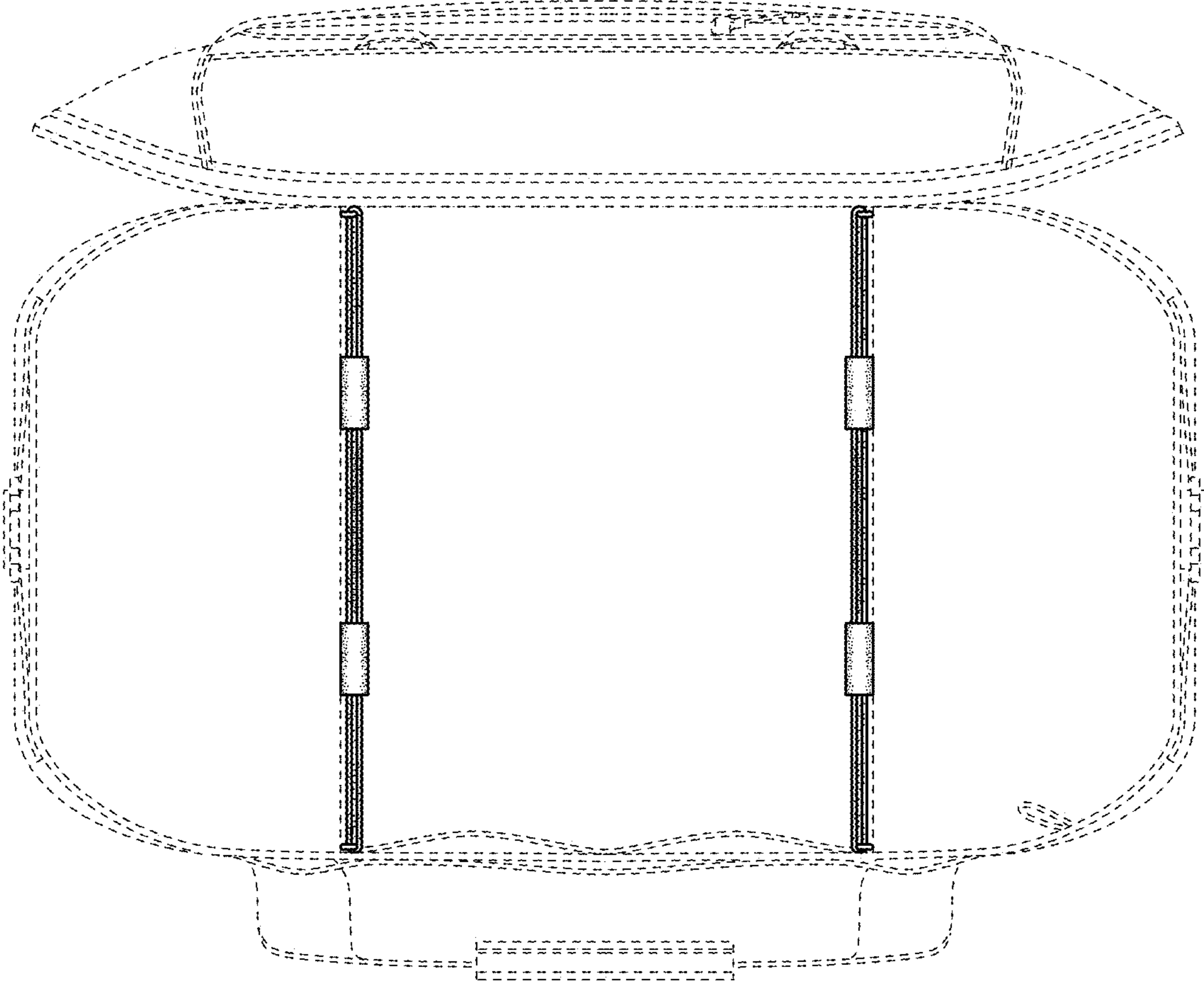


FIG. 7

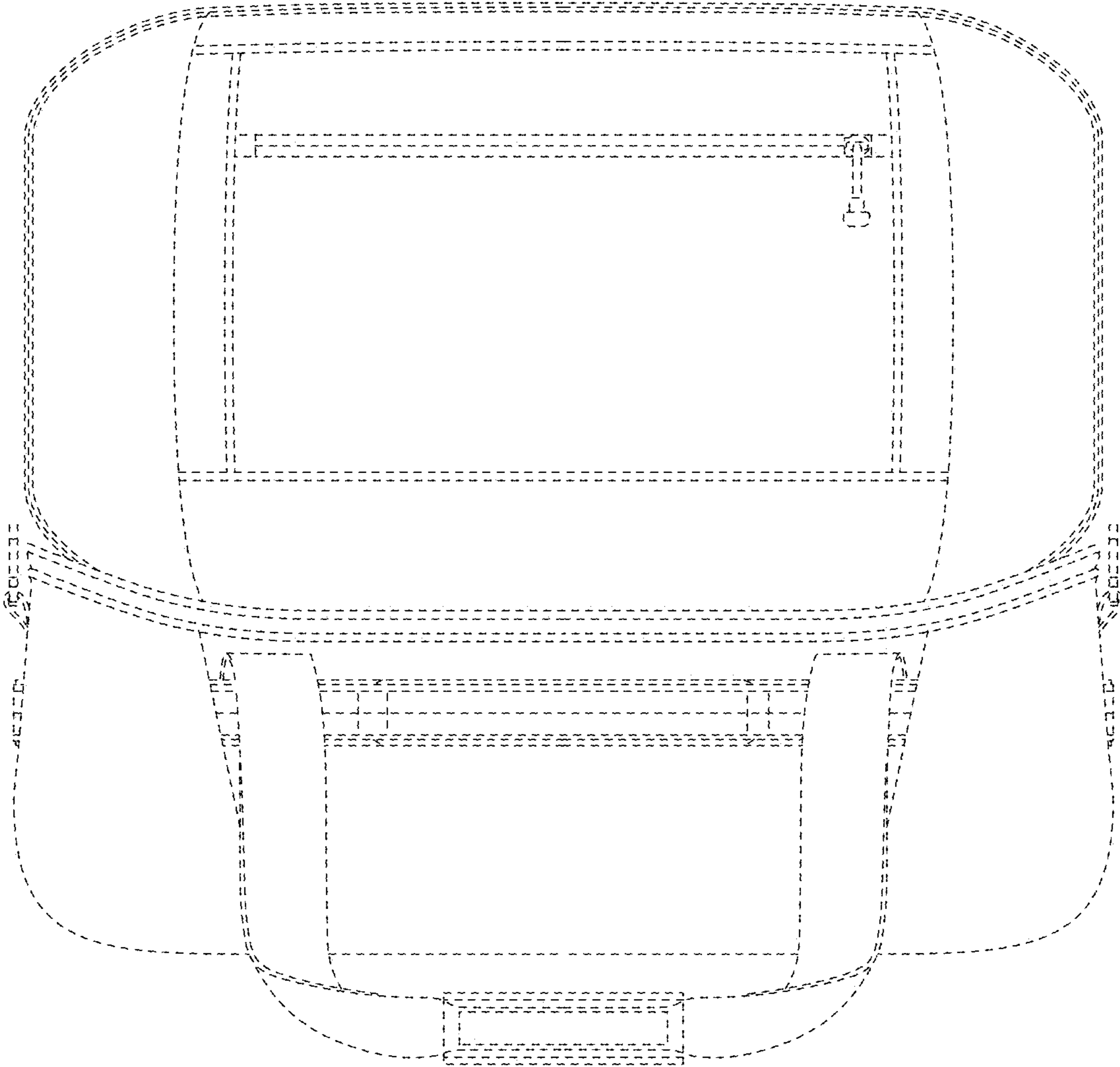


FIG. 8