



US00D954431S

(12) **United States Design Patent**
Knightly

(10) **Patent No.:** **US D954,431 S**

(45) **Date of Patent:** **** Jun. 14, 2022**

(54) **HANDBAG**

(71) Applicant: **MOYNAT PARIS SAS**, Paris (FR)

(72) Inventor: **Nicholas Knightly**, Paris (FR)

(**) Term: **15 Years**

(21) Appl. No.: **35/511,236**

(22) Filed: **Jan. 14, 2021**

(80) **Hague Agreement Data**

Int. Filing Date: **Jan. 14, 2021**

Int. Reg. No.: **DM/212279**

Int. Reg. Date: **Jan. 14, 2021**

Int. Reg. Pub. Date: **Jan. 29, 2021**

(51) **LOC (13) Cl.** **03-01**

(52) **U.S. Cl.**

USPC **D3/243**

CPC **A45C 3/06** (2013.01)

(58) **Field of Classification Search**

USPC D3/232-246

CPC A45C 3/06; A45C 13/02; A45C 13/26;

A45C 13/30; A45C 1/02

See application file for complete search history.

(56) **References Cited**

U.S. PATENT DOCUMENTS

D273,833 S *	5/1984	Taylor	D7/607
D421,178 S *	2/2000	Dandini	D3/244
D433,803 S *	11/2000	Haapala	D3/246
D439,041 S *	3/2001	Guyon	D3/246
D445,567 S *	7/2001	Imbert	D3/246
D480,621 S *	10/2003	Ling	D8/331
D510,661 S *	10/2005	Suppangig	D3/246
D537,627 S *	3/2007	Vazquez	D3/244
D570,189 S *	6/2008	Schlatter	D8/331
D570,191 S *	6/2008	Schlatter	D8/331
D580,165 S *	11/2008	Pavlou	D3/232
D580,166 S *	11/2008	Gonzalez	D3/245
D582,157 S *	12/2008	Gerbi	D3/245

D650,988 S *	12/2011	Borghi	D3/245
D651,402 S *	1/2012	Borghi	D3/245
D653,031 S *	1/2012	Reisenthel	D3/245
D653,457 S *	2/2012	Della Valle	D5/58
D655,500 S *	3/2012	Maier	D3/245
D655,583 S *	3/2012	Palazzolo	D3/243
D655,913 S *	3/2012	Gerbi	D3/232
D663,522 S *	7/2012	Schiffman	D3/232
D688,450 S *	8/2013	Philo	D3/243
D696,860 S *	1/2014	Guyon	D3/243
D698,146 S *	1/2014	Deneve	D3/245
D712,654 S *	9/2014	Wang	D3/243
D717,043 S *	11/2014	Pulliam	D3/243
D717,540 S *	11/2014	Venturini Fendi	D3/232
D719,349 S *	12/2014	Fusi	D3/245
D721,889 S *	2/2015	Simons	D3/245
D728,225 S *	5/2015	McNamara	D3/243
D728,227 S *	5/2015	Hawkes	D3/245
D728,925 S *	5/2015	Von Furstenberg	D3/243
D730,045 S *	5/2015	Ceccomori	D3/245
D730,046 S *	5/2015	Koutsolioutsos	D3/245
D745,270 S *	12/2015	Yamashita	D3/232
D761,015 S *	7/2016	Nair	D3/243
D761,557 S *	7/2016	Bernardoni	D3/243
D764,166 S *	8/2016	Kuwakubo	D3/246

(Continued)

Primary Examiner — Richard E Chilcot

(57) **CLAIM**

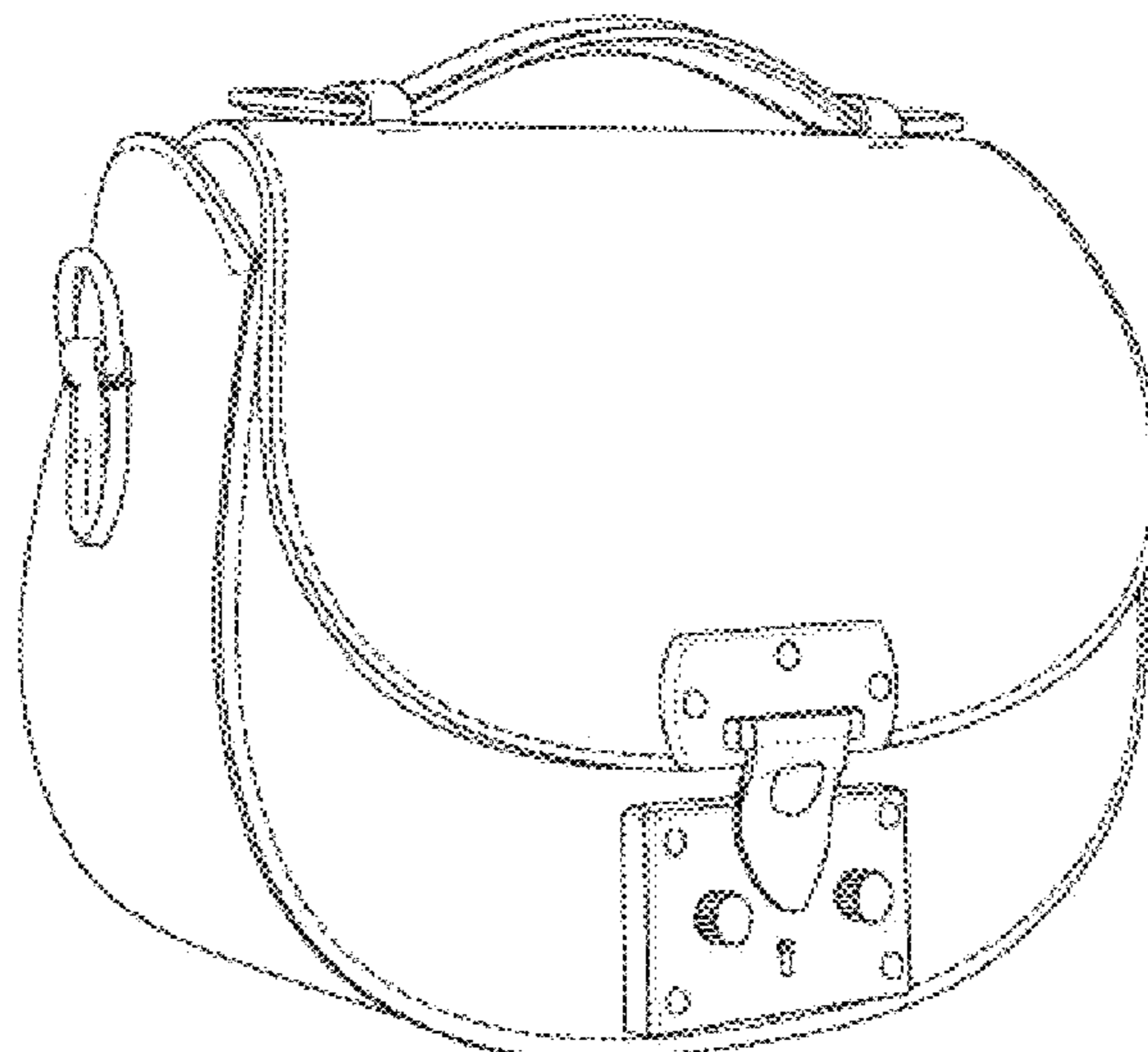
The ornamental design for a handbag, as shown and described.

DESCRIPTION

- 1. Handbag
- 1.1 : Perspective
- 1.2 : Front
- 1.3 : Back
- 1.4 : Left
- 1.5 : Right
- 1.6 : Top
- 1.7 : Bottom

The broken lines in the figures are for the purpose of illustrating claimed stitching.

1 Claim, 7 Drawing Sheets



(56)

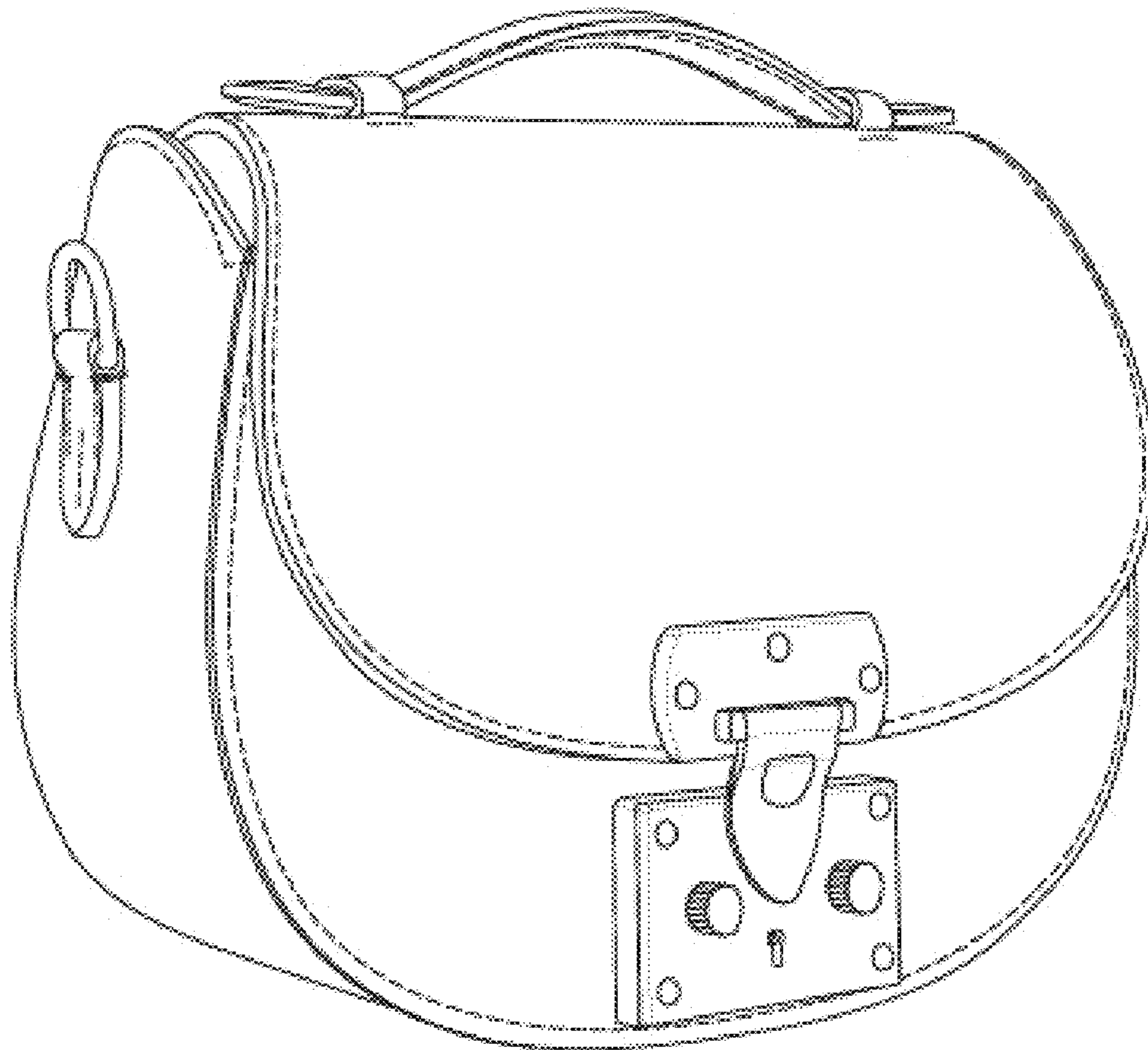
References Cited

U.S. PATENT DOCUMENTS

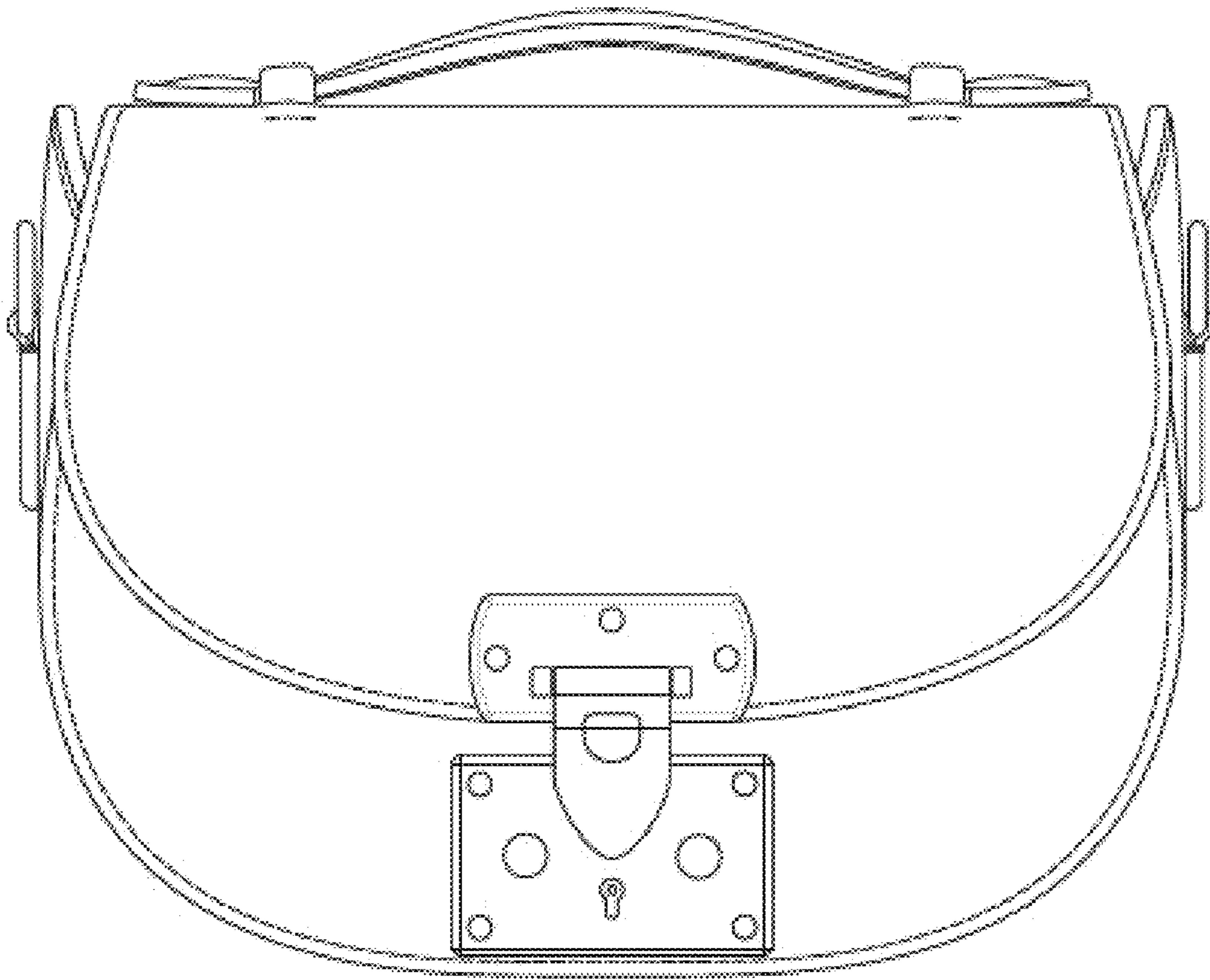
D765,969 S * 9/2016 Bonesi D3/243
D767,270 S * 9/2016 Maier D3/243
D767,886 S * 10/2016 Lagerfeld D3/245
D768,379 S * 10/2016 Luo D3/232
D773,809 S * 12/2016 Lieser D3/232
D775,820 S * 1/2017 Sassi A45C 1/024
D3/232
D775,822 S * 1/2017 Dumas D3/243
D785,934 S * 5/2017 Maier A45C 1/024
D3/243
D789,684 S * 6/2017 Michele D3/232
D802,298 S * 11/2017 Sassi D3/246
D803,554 S * 11/2017 Maier D3/243
D803,555 S * 11/2017 Maier D3/243
D804,170 S * 12/2017 Maier D3/243
D806,385 S * 1/2018 Maier D3/243
D808,647 S * 1/2018 Philo D3/243
D814,789 S * 4/2018 Dumas D3/243
D826,555 S * 8/2018 Sassi D3/232
D828,022 S * 9/2018 Maier D3/243
D830,058 S * 10/2018 Dumas D3/232
D830,690 S * 10/2018 Sassi D3/232
D834,824 S * 12/2018 Trussardi D3/325
D835,415 S * 12/2018 Trussardi D3/325
D871,063 S * 12/2019 Morgan D3/245
D878,745 S * 3/2020 Murri D3/232
D935,174 S * 11/2021 Dumas A45C 1/00
D3/243
D935,767 S * 11/2021 Louboutin D3/243

* cited by examiner

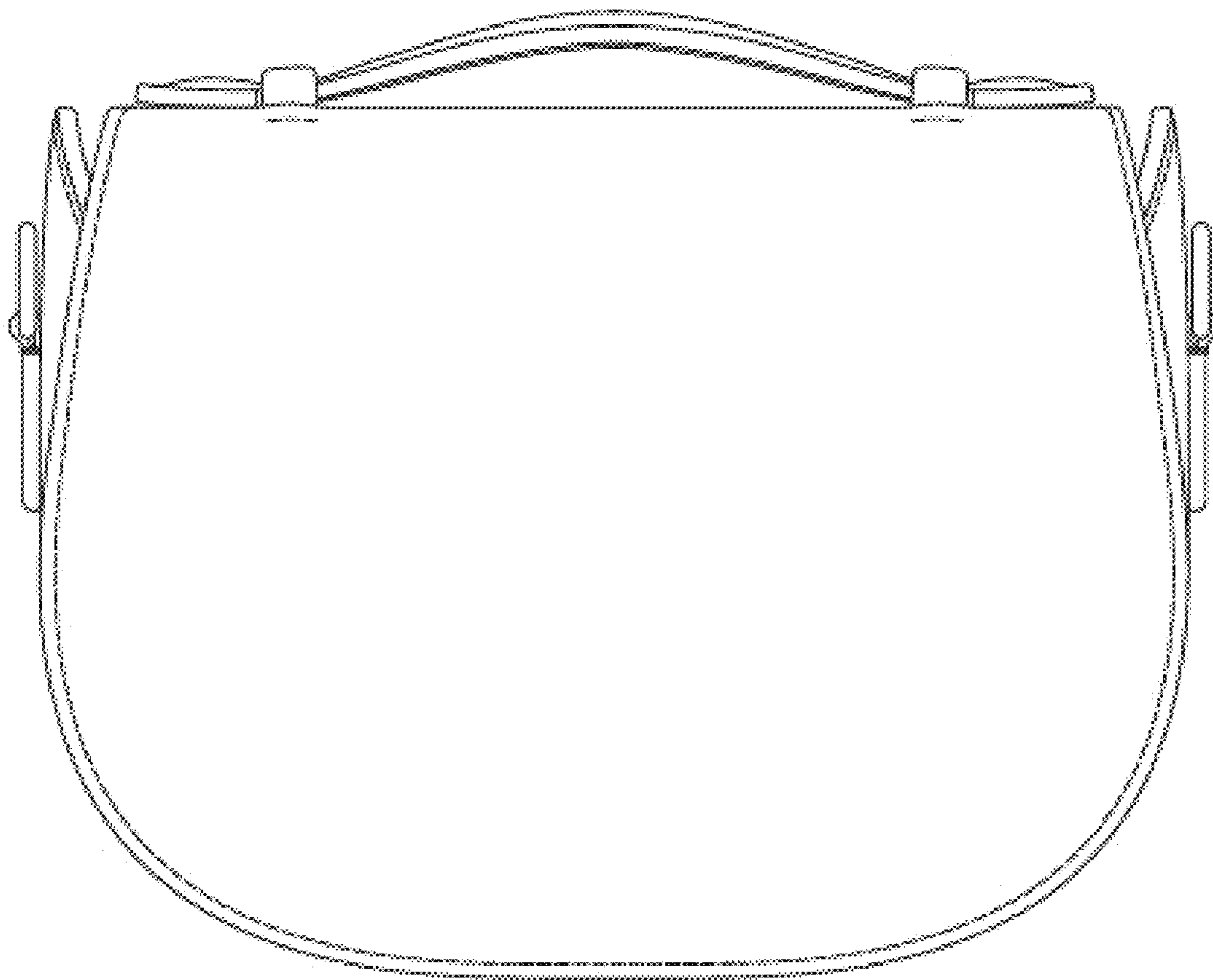
1.1



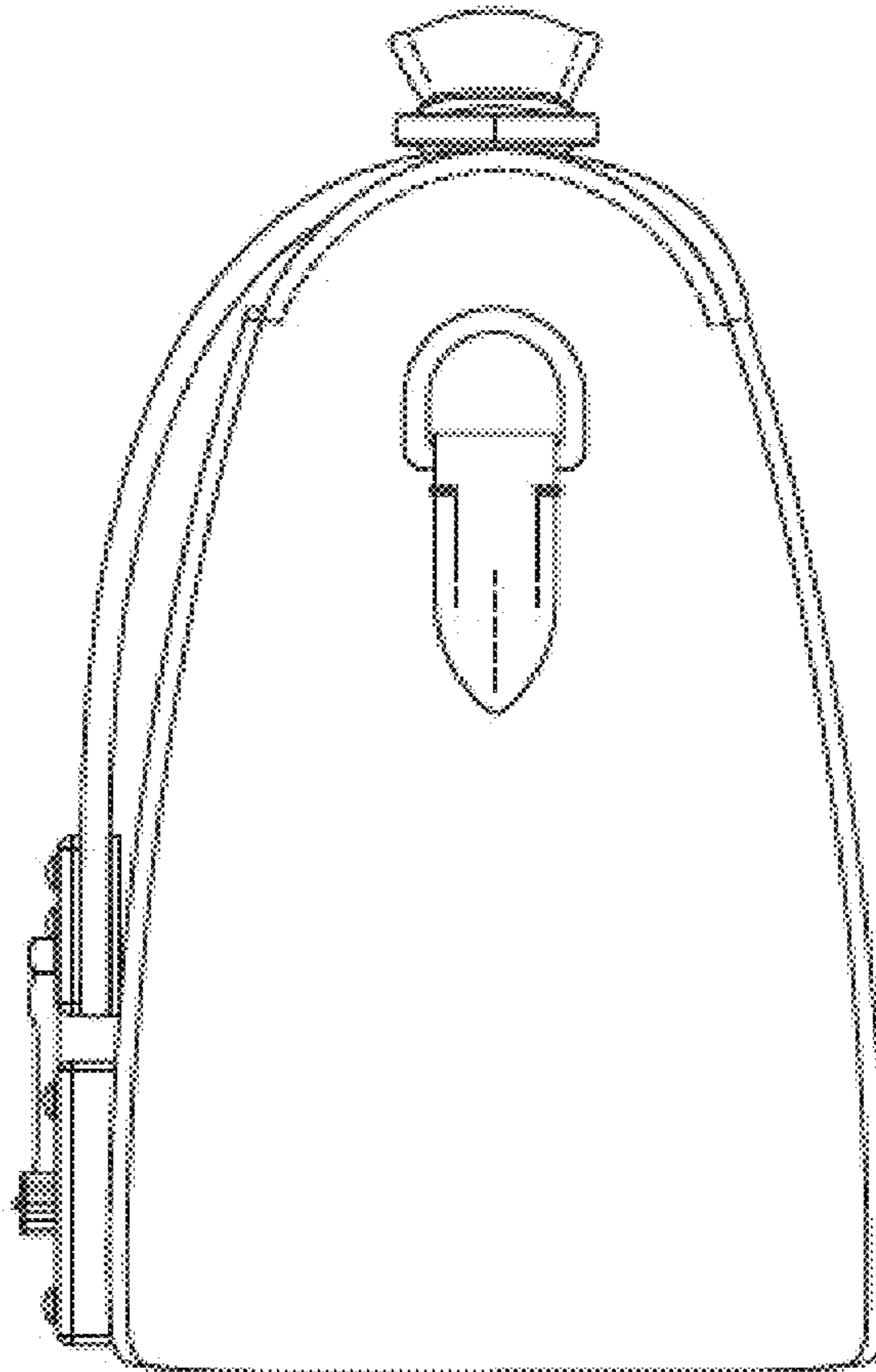
1.2



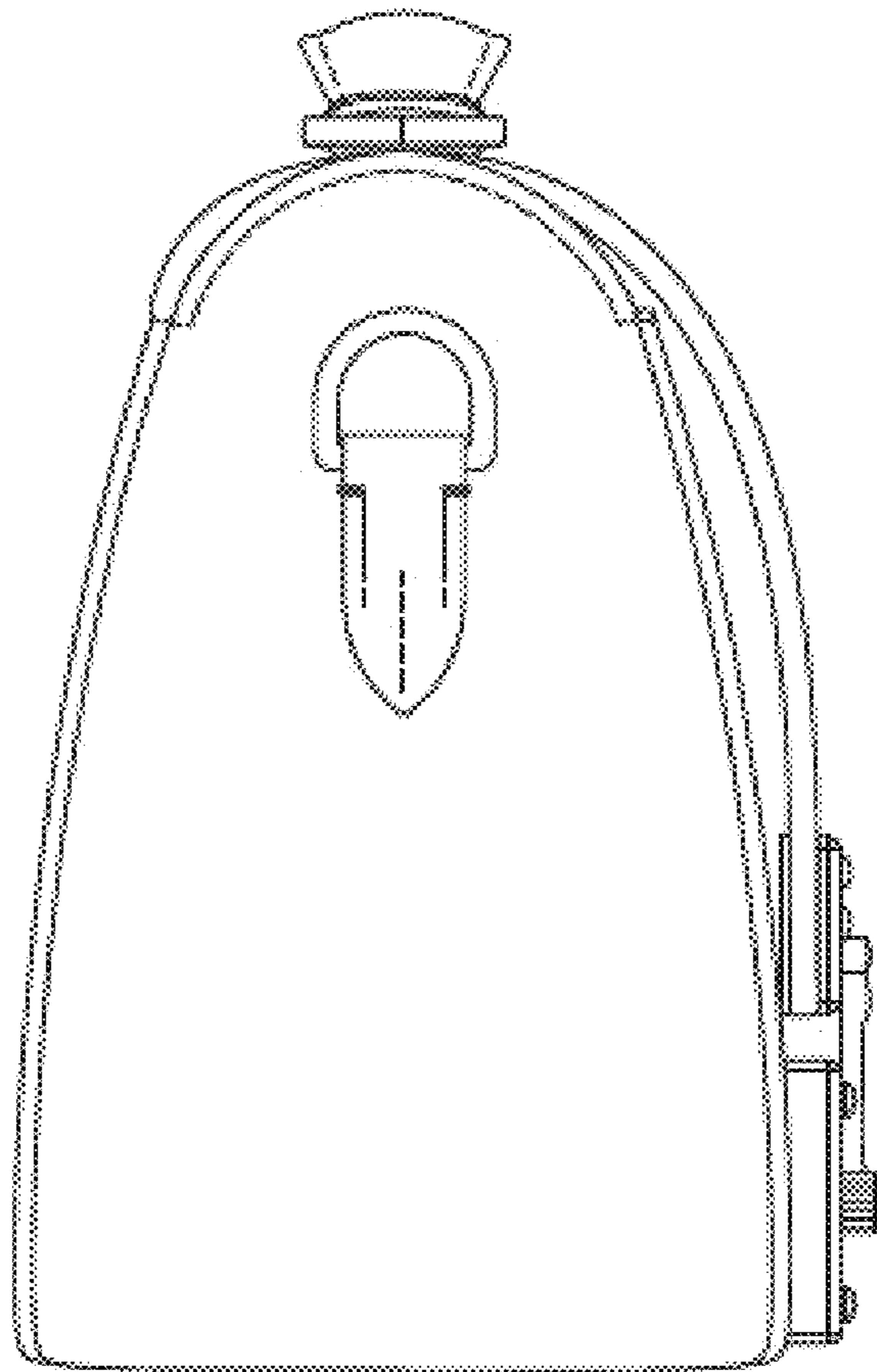
1.3



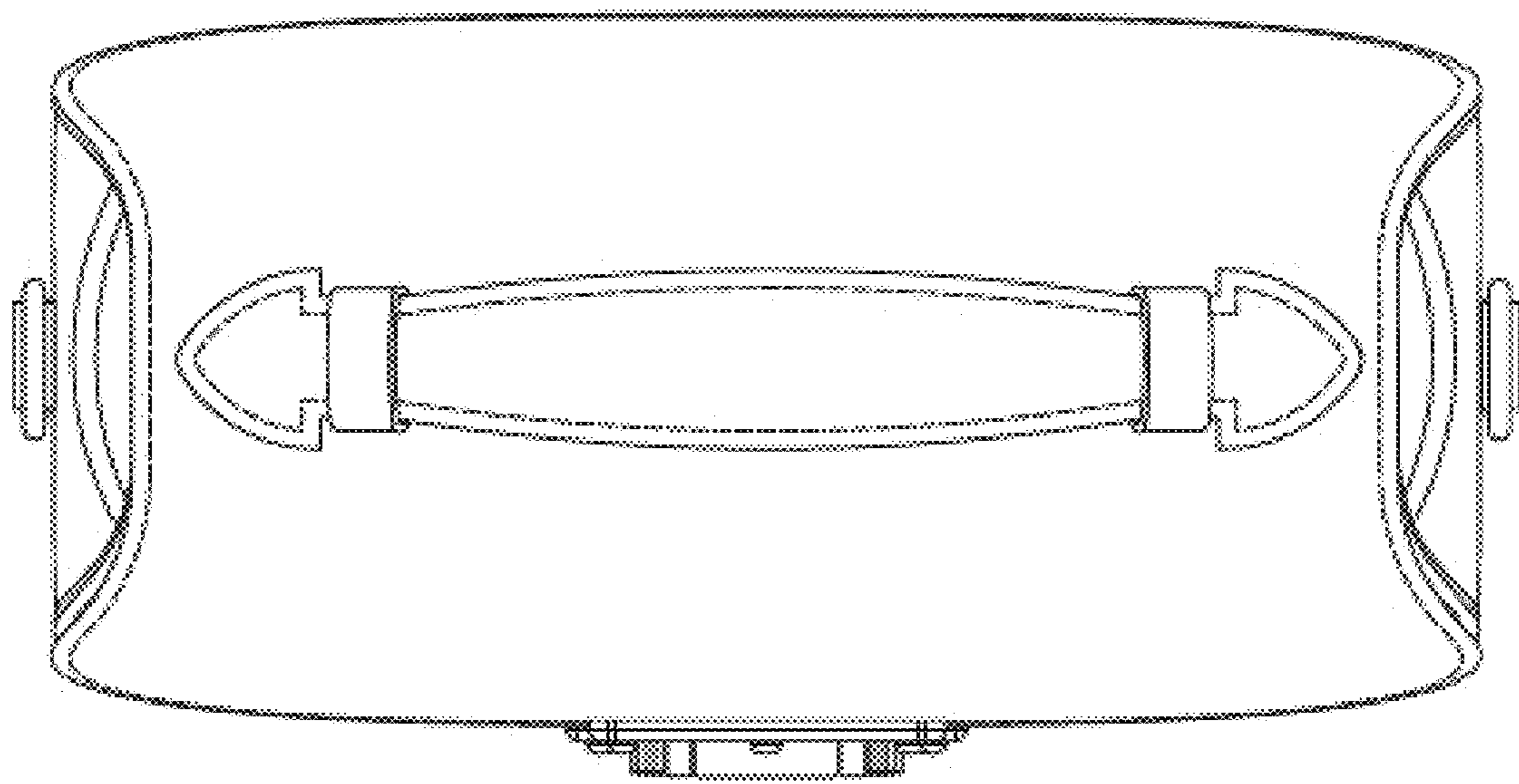
1.4



1.5



1.6



1.7

