



US00D954430S

(12) **United States Design Patent** (10) **Patent No.:** **US D954,430 S**
Li (45) **Date of Patent:** **** Jun. 14, 2022**

(54) **BACKPACK**

(71) Applicant: **Guangzhou Feien Clothing Co., Ltd.**,
Guangdong (CN)

(72) Inventor: **Siwei Li**, Guangdong (CN)

(73) Assignee: **Guangzhou Feien Clothing Co., Ltd.**,
Guangdong (CN)

(**) Term: **15 Years**

(21) Appl. No.: **29/783,586**

(22) Filed: **May 13, 2021**

(51) **LOC (13) Cl.** **03-01**

(52) **U.S. Cl.**
USPC **D3/217**

(58) **Field of Classification Search**
USPC D3/216, 217, 232
CPC A45F 3/04; A45F 2003/003; A45F 4/02;
A45F 5/021; Y10S 224/92; Y10S 16/40;
Y10S 224/922; Y10S 383/907; A01K
97/06; A45C 11/20; A45C 5/06; A45C
11/02; A45C 13/02; A45C 13/08; A45C
3/00; A45C 7/0063

See application file for complete search history.

(56) **References Cited**

U.S. PATENT DOCUMENTS

D865,355 S *	11/2019	Benzon	D3/217
D867,751 S *	11/2019	Seip	D3/217
D868,455 S *	12/2019	Skaff	D3/217
D880,847 S *	4/2020	Huang	D3/217
D893,169 S *	8/2020	Jais	D3/217
D896,504 S *	9/2020	Li	D3/217
D911,024 S	2/2021	Rabe et al.		
D912,976 S	3/2021	Breines		
D938,717 S *	12/2021	Tan	D3/217
2019/0082817 A1 *	3/2019	Ji	A47D 5/006

OTHER PUBLICATIONS

Estarer Upgraded Version Women PU Leather Backpack 15.6 Inch Laptop Backpack Vintage College School Rucksack Bag (Black) reviewed on Amazon Aug. 2018, viewed Jan. 24, 2022. Available at URL: https://www.amazon.com/Estarer-Upgraded-Backpack-15-6inch-Rucksack/dp/B07D27NY2J/ref=sr_1_12?crd=1GIJGG1L5ZP3&keywor.*

Fadeon Leather Backpack Purse for Women Designer Ladies Shoulder Bag Fashion Convertible Travel Backpack Purses, first available and photo reviewed on Amazon Dec. 2020, viewed Jan. 24, 2022. Available at URL: https://www.amazon.com/dp/B08LTPGYDM/ref=sspa_dk_detail_1?psc=1&pd_rd_i=B08LTPGYDM&pd_rd_w=pyN21&p.*

* cited by examiner

Primary Examiner — Jennifer L Watkins

(74) *Attorney, Agent, or Firm* — ScienBiziP, P.C.

(57) **CLAIM**

The ornamental design for a backpack, as shown and described.

DESCRIPTION

FIG. 1 is a front, right, and top perspective view of a backpack, showing my design.

FIG. 2 is a rear, left, and bottom perspective view thereof.

FIG. 3 is a front elevation view thereof.

FIG. 4 is a rear elevation view thereof.

FIG. 5 is a left side elevation view thereof.

FIG. 6 is a right side elevation view thereof.

FIG. 7 is a top plan view thereof; and,

FIG. 8 is a bottom plan view thereof.

The broken lines shown in the drawings are included for the purpose of illustrating portions of the backpack that form no part of the claimed design.

1 Claim, 8 Drawing Sheets





FIG. 1

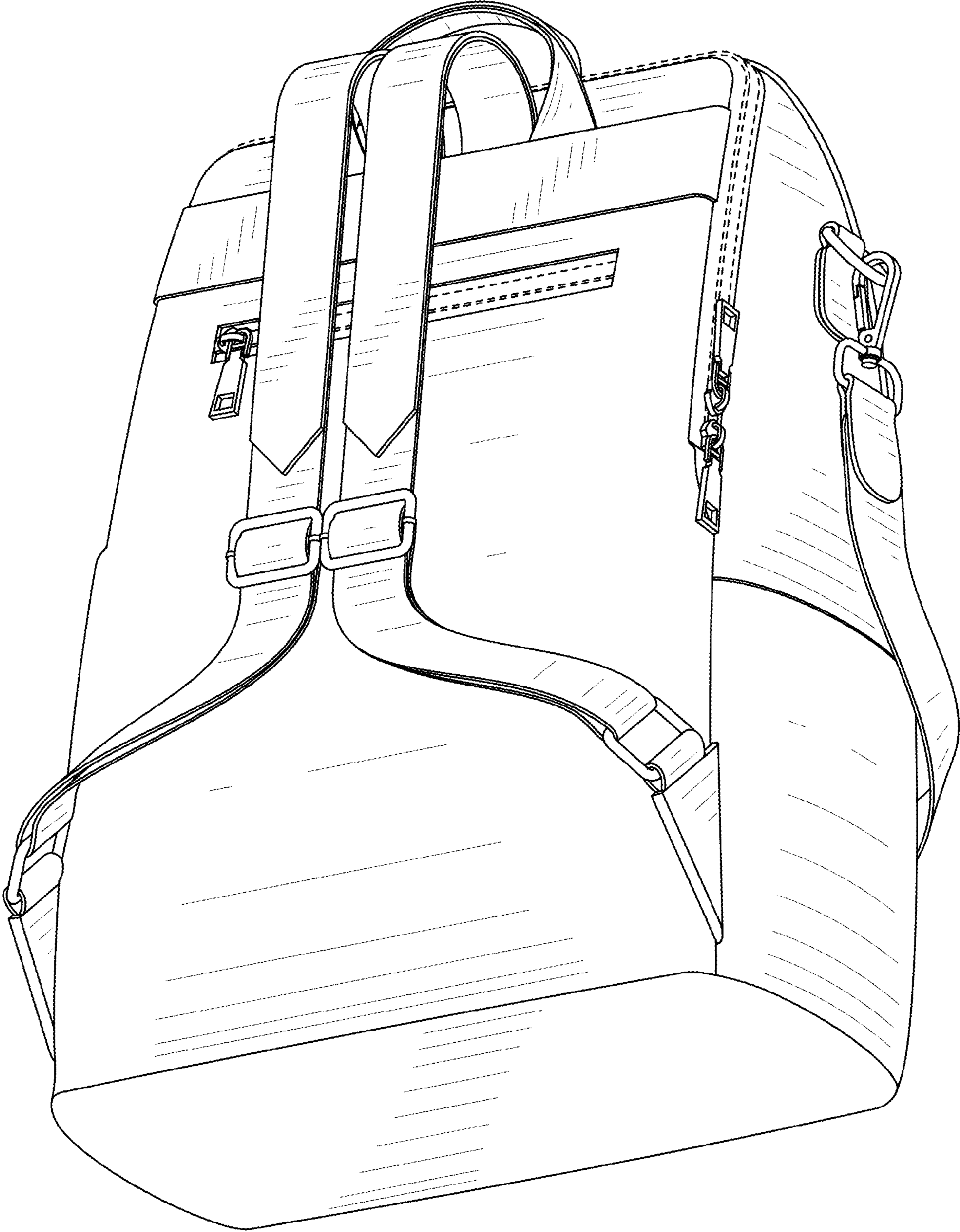


FIG. 2

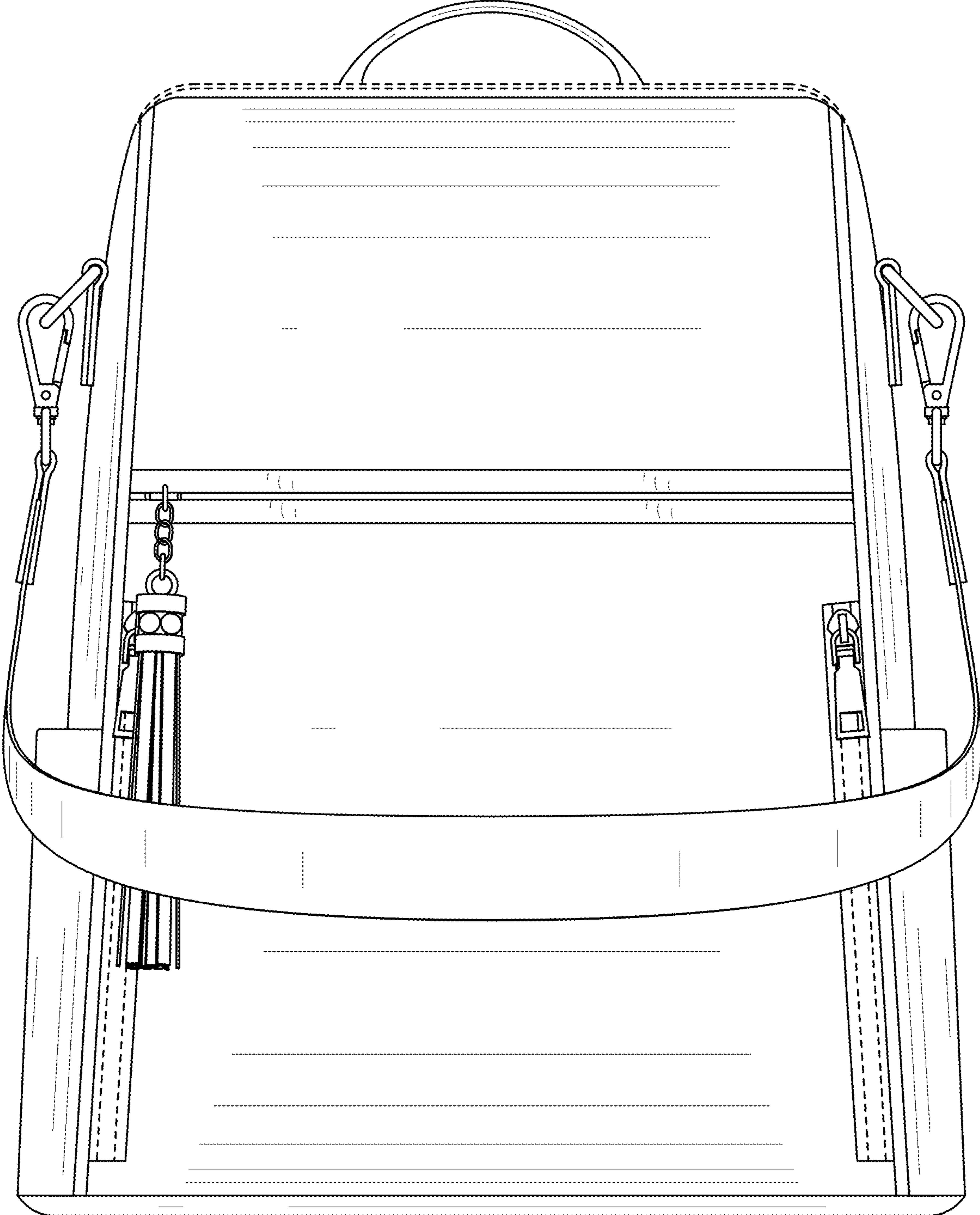


FIG. 3

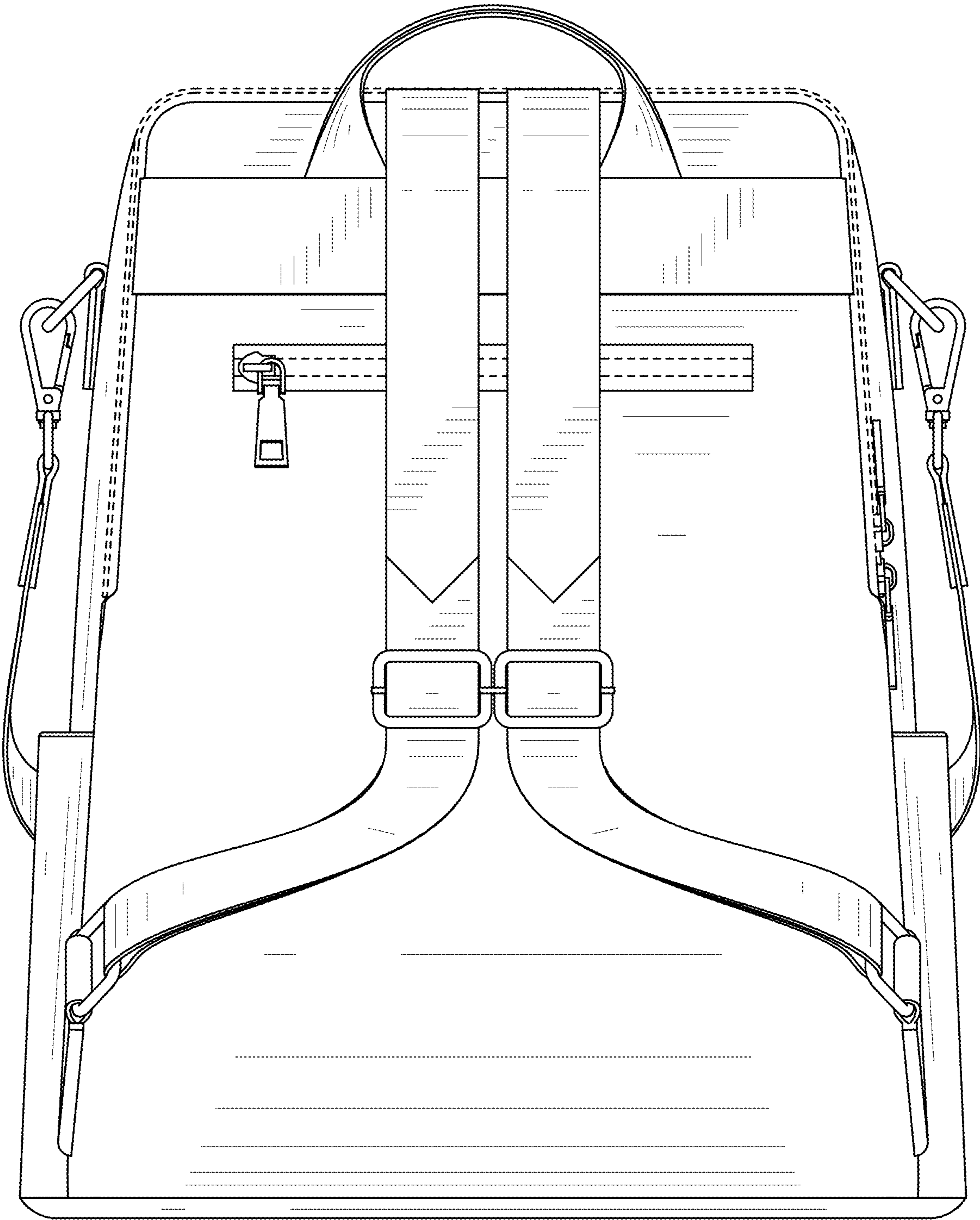


FIG. 4

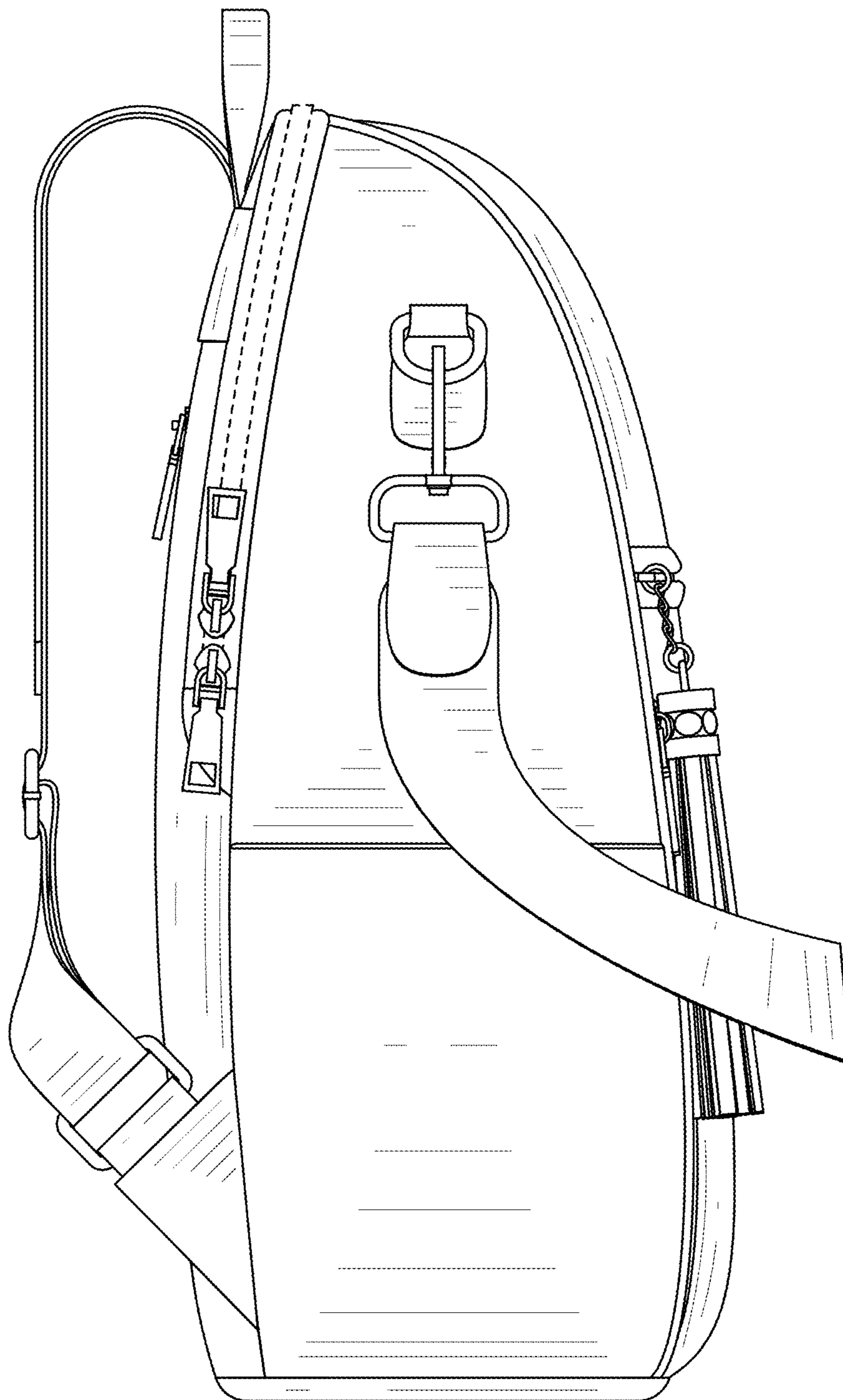


FIG. 5

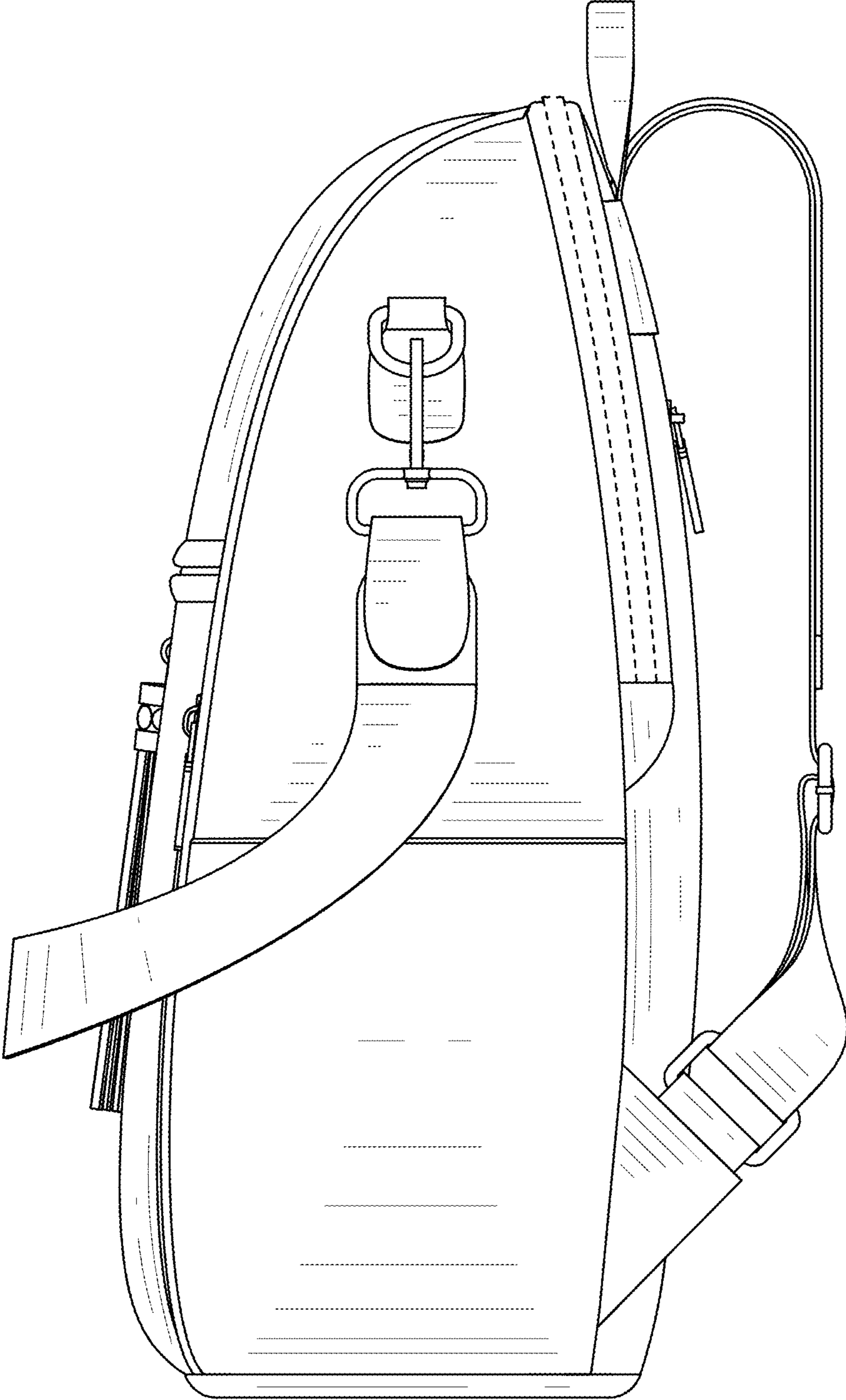


FIG. 6

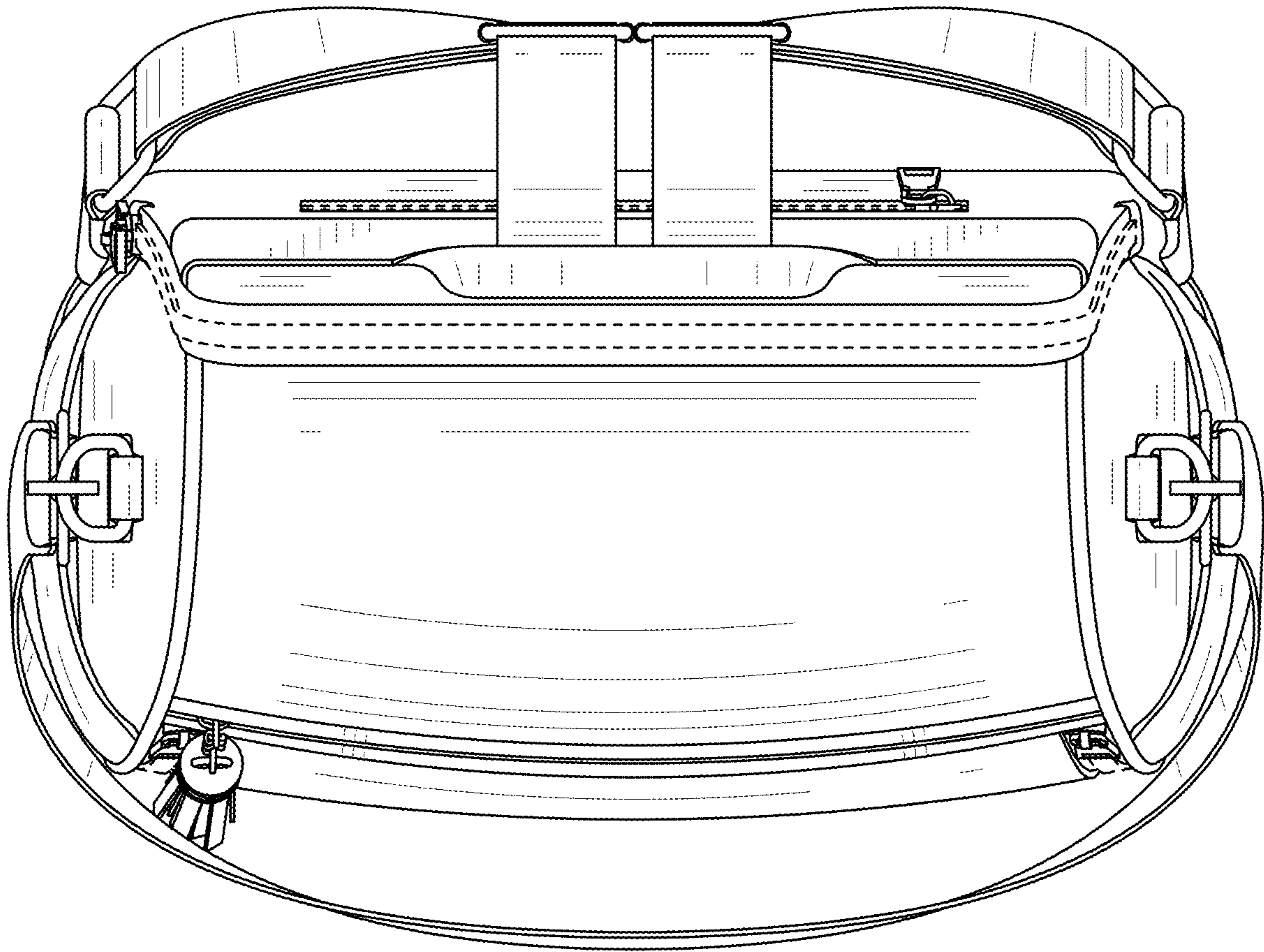


FIG. 7

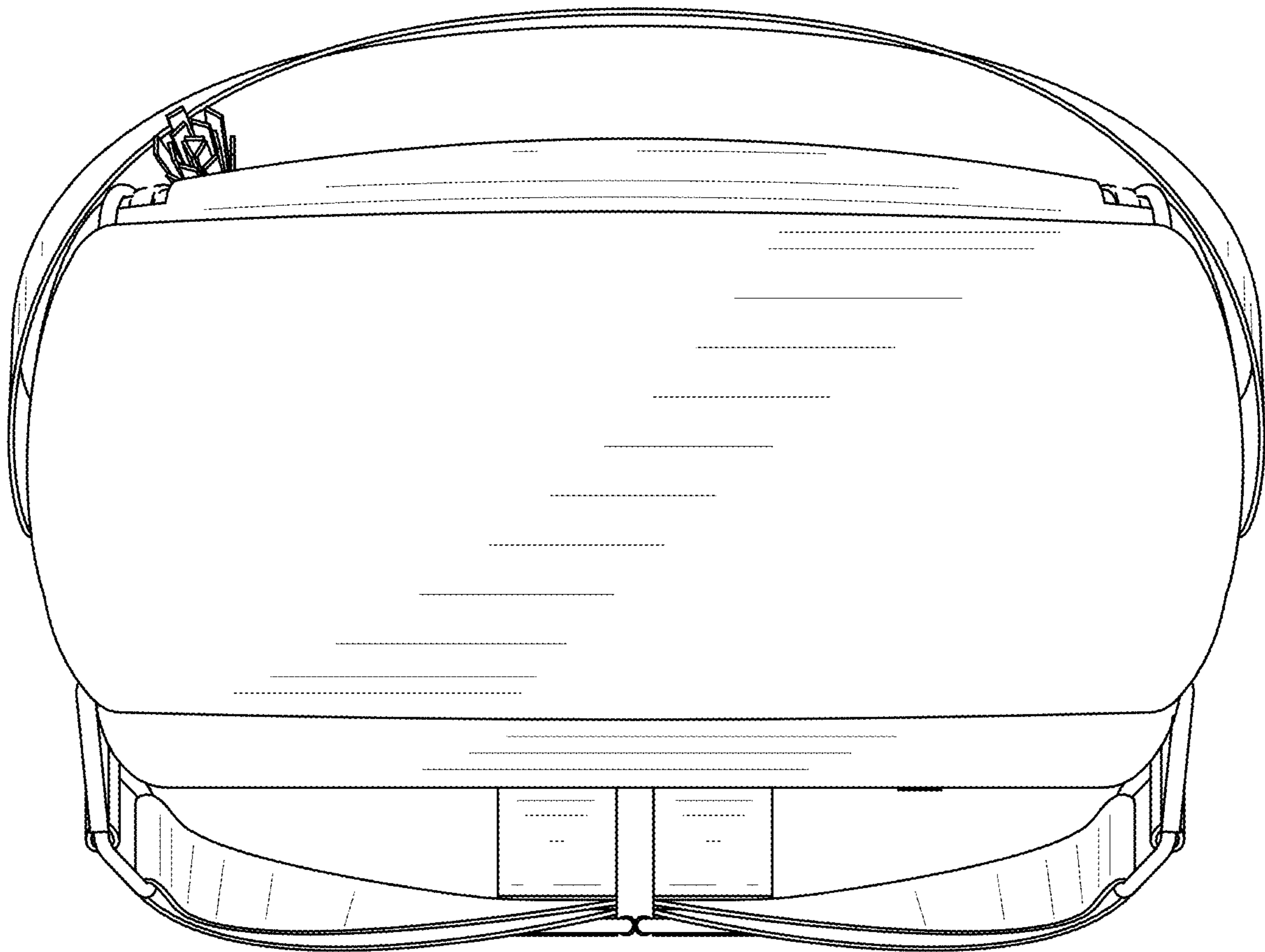


FIG. 8