



US00D954429S

(12) **United States Design Patent**
Chen

(10) **Patent No.:** **US D954,429 S**
(45) **Date of Patent:** **** Jun. 14, 2022**

- (54) **DIAPER BACKPACK**
- (71) Applicant: **GUANGZHOU FULUOSEN TRADING CO., LTD.**, Guangzhou (CN)
- (72) Inventor: **Shuwei Chen**, Guangzhou (CN)
- (73) Assignee: **GUANGZHOU FULUOSEN TRADING CO., LTD.**, Guangzhou (CN)
- (**) Term: **15 Years**
- (21) Appl. No.: **29/775,079**
- (22) Filed: **Mar. 21, 2021**
- (30) **Foreign Application Priority Data**
Feb. 9, 2021 (CN) 202130093259.6
- (51) **LOC (13) Cl.** **03-01**
- (52) **U.S. Cl.**
USPC **D3/217**
- (58) **Field of Classification Search**
USPC D3/216, 217, 327
CPC ... A45C 13/30; A45F 3/04; A45F 3/02; A45F 3/10; A45F 3/12; A45F 2003/122; A45F 2003/127; A45F 3/14; A45F 2003/002; A45F 2003/045; A45F 2003/144
See application file for complete search history.

- (56) **References Cited**
U.S. PATENT DOCUMENTS
D326,772 S 6/1992 Kennedy
D457,307 S 5/2002 Pukall et al.
D500,590 S 1/2005 Sachen
D661,085 S 6/2012 Custer
D843,107 S * 3/2019 Swaggart D3/217

- D844,975 S 4/2019 Munie et al.
- D853,107 S 7/2019 Lyons
- D879,464 S 3/2020 Vario, Jr.
- D880,847 S * 4/2020 Huang D3/217
- D885,042 S * 5/2020 Li D3/217
- D895,272 S * 9/2020 Zhitian D3/217
- D901,878 S 11/2020 Ji et al.
- D911,024 S 2/2021 Rabe et al.
- D919,962 S * 5/2021 Shi D3/217
- D924,561 S * 7/2021 Gilbert D3/217
- D925,230 S * 7/2021 Huang D3/317
- D938,163 S * 12/2021 Lyu D3/217
- D941,013 S * 1/2022 Qiu D3/217
- D941,014 S * 1/2022 Ren D3/217
- 2003/0164321 A1 * 9/2003 Ukitsu A45F 3/04
190/102
- 2019/0082817 A1 * 3/2019 Ji A45F 3/04

* cited by examiner

Primary Examiner — Jennifer L Watkins
(74) *Attorney, Agent, or Firm* — Law Offices of Steven W. Weinrieb

(57) **CLAIM**

The ornamental design for a diaper backpack, as shown and described.

DESCRIPTION

FIG. 1 is a front, right side, top perspective view of a diaper backpack showing my new design;
FIG. 2 is a rear, left side, bottom perspective view thereof;
FIG. 3 is a front elevational view thereof;
FIG. 4 is a rear elevational view thereof;
FIG. 5 is a left side elevational view thereof;
FIG. 6 is a right side elevational view thereof;
FIG. 7 is a top plan view thereof; and,
FIG. 8 is a bottom plan view thereof.
The broken lines depict portions of the diaper backpack that form no part of the claimed design.

1 Claim, 8 Drawing Sheets





FIG. 1



FIG.2

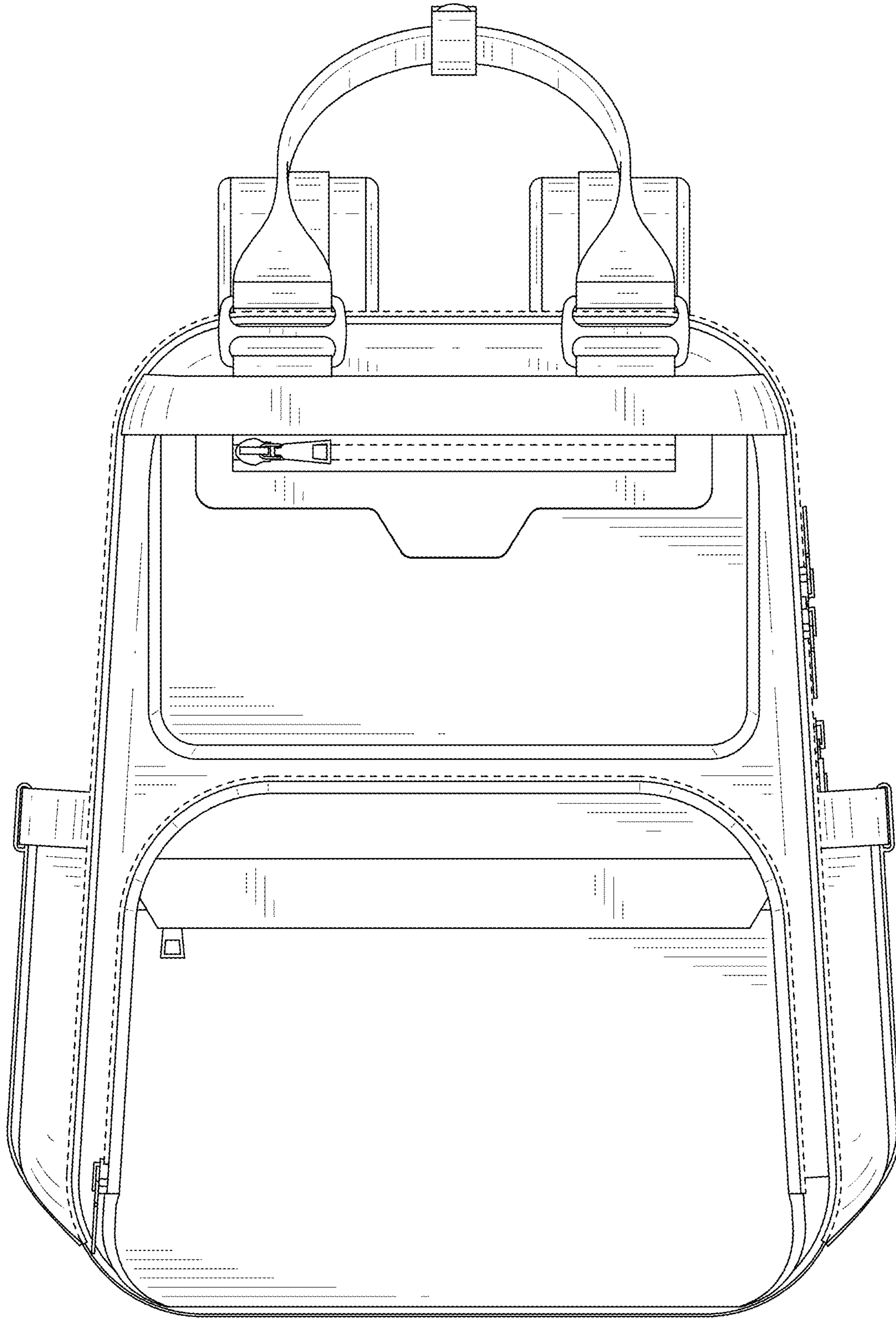


FIG.3

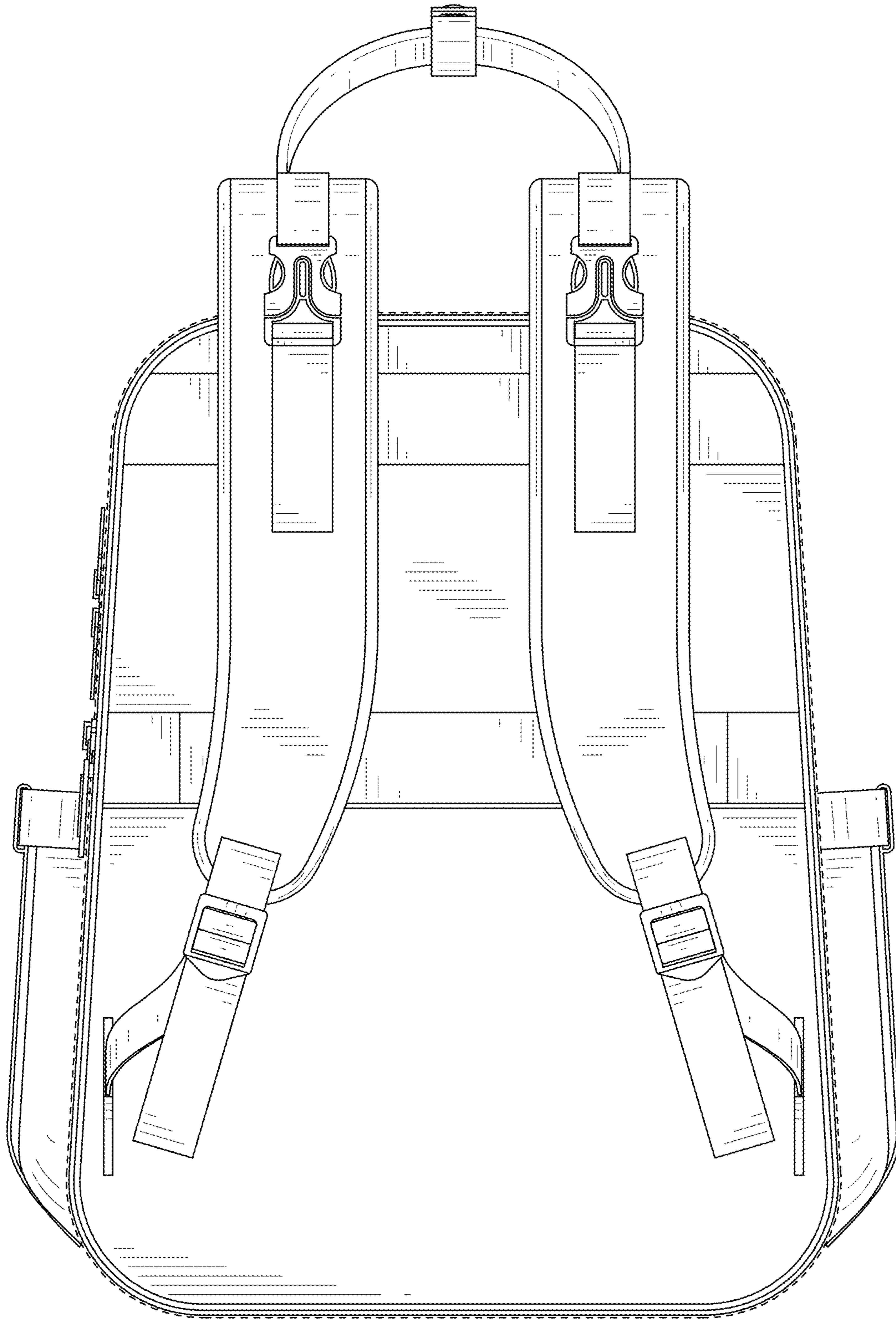


FIG.4

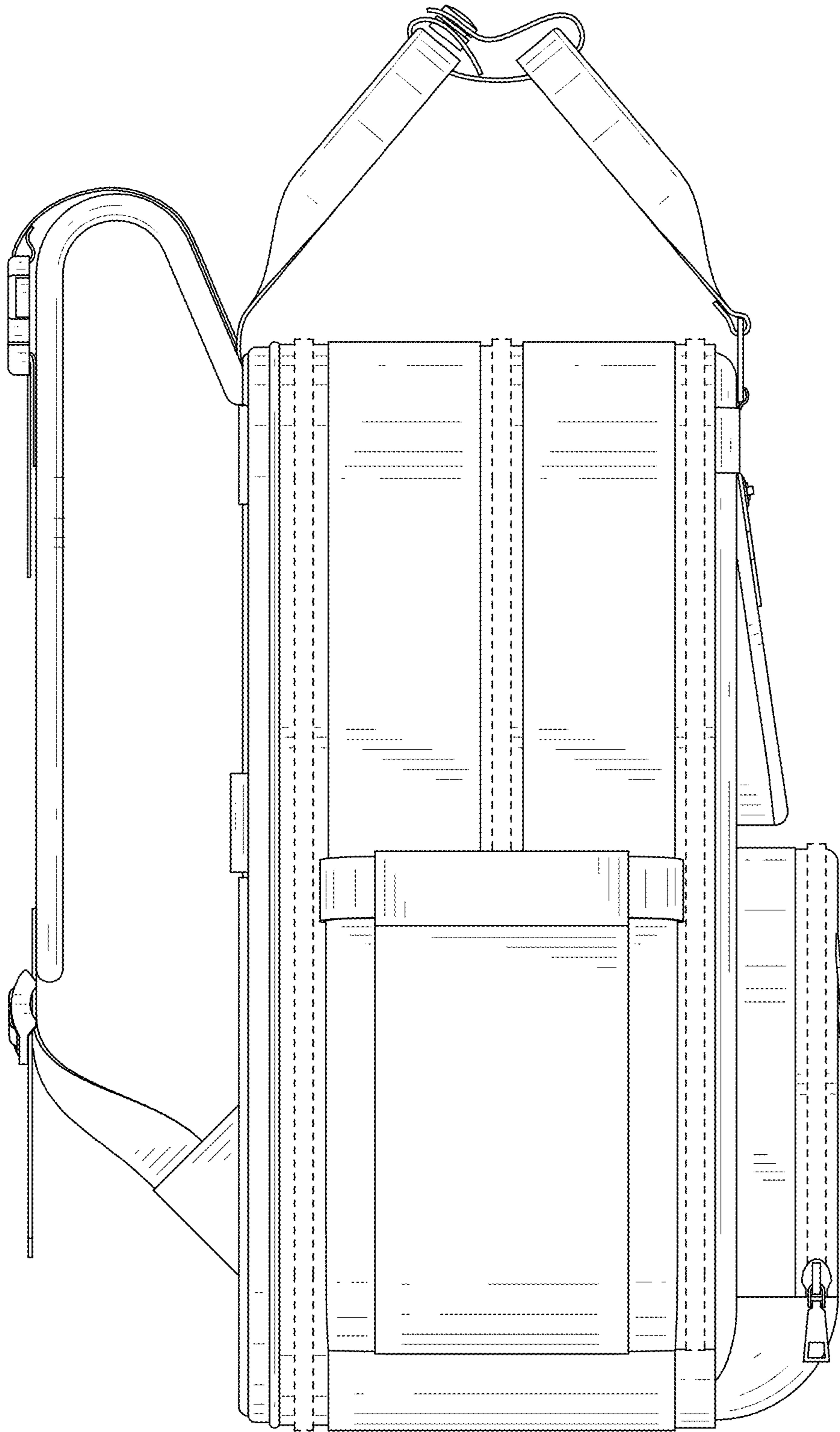


FIG.5

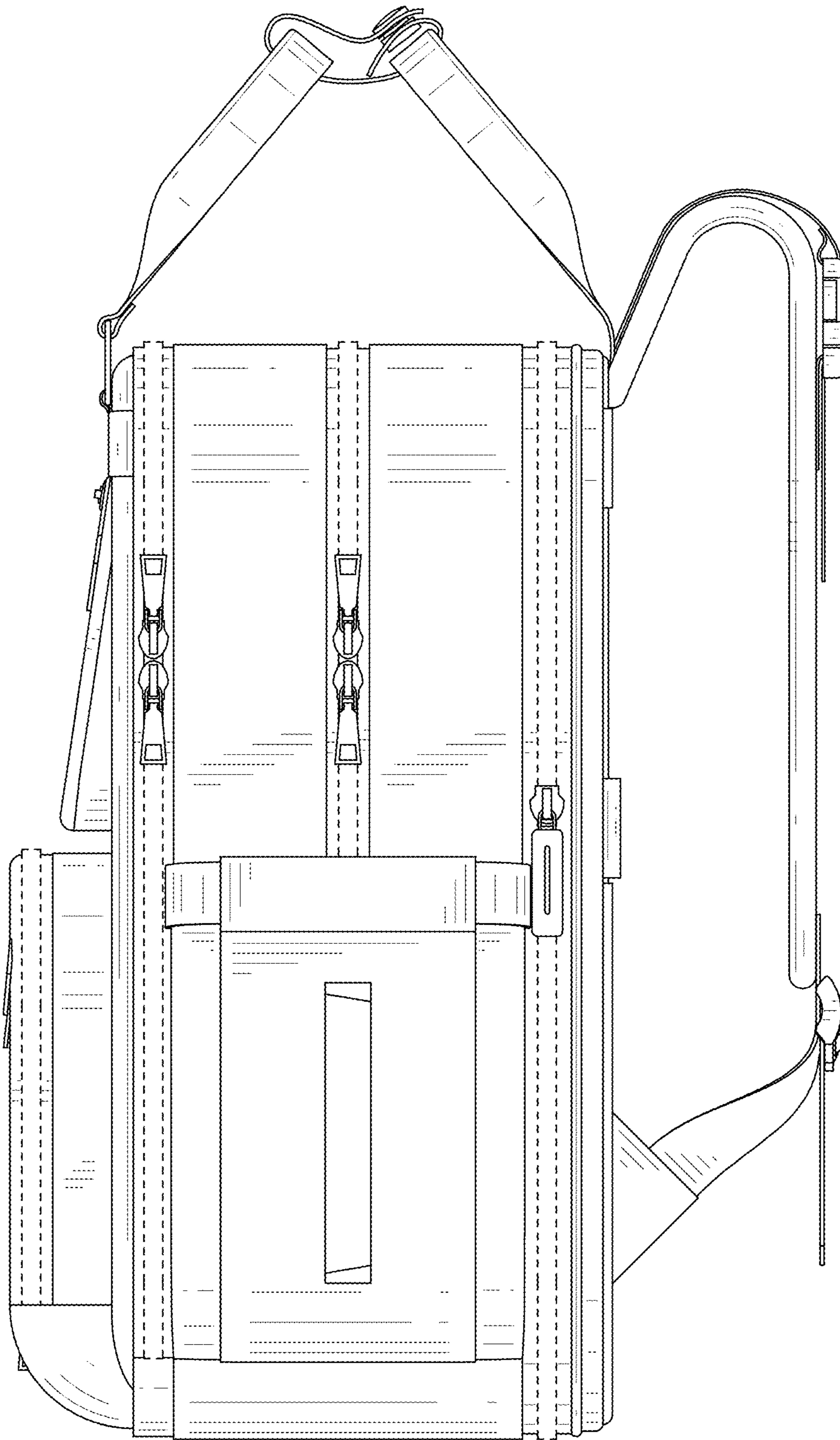


FIG.6

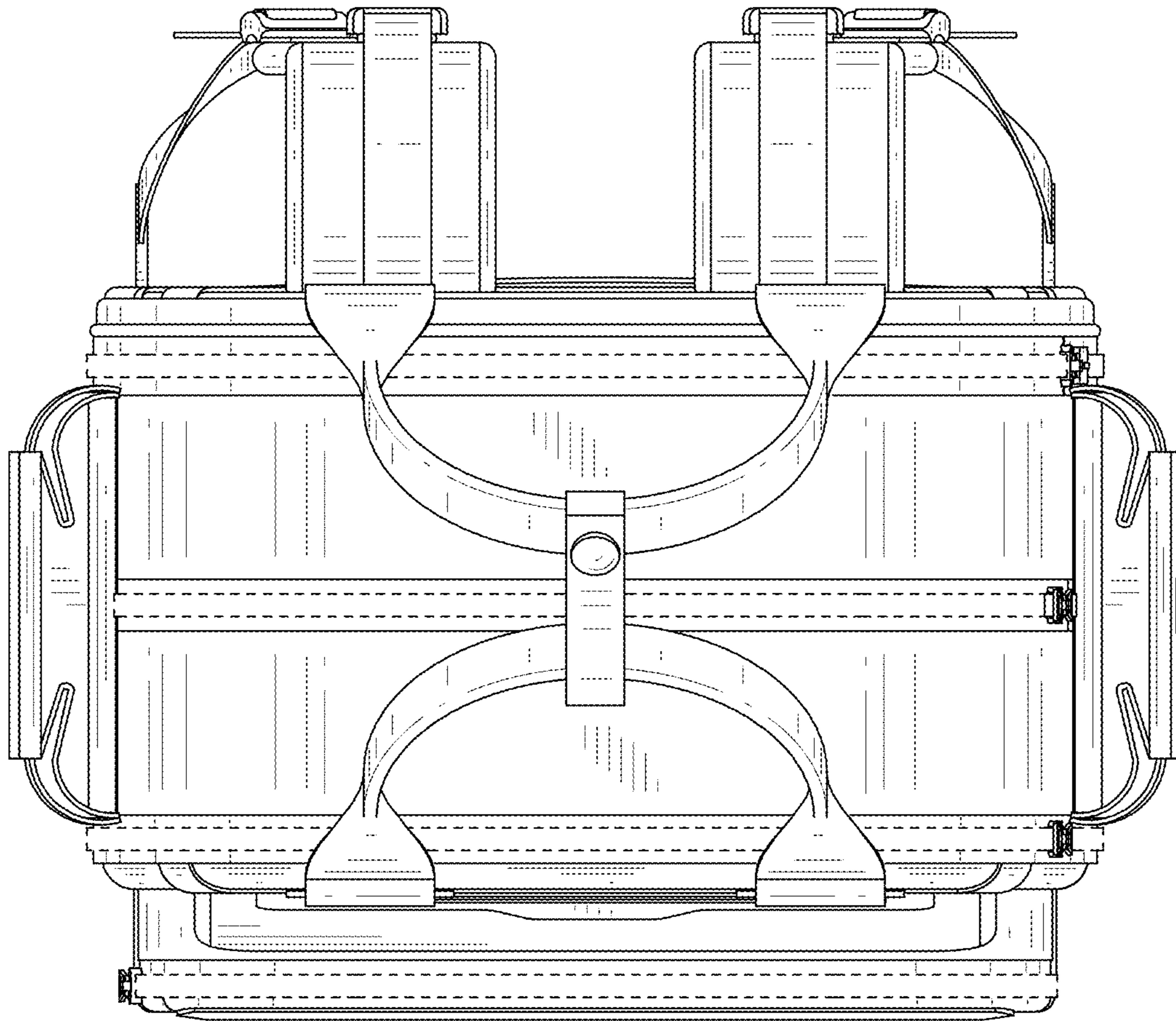


FIG. 7

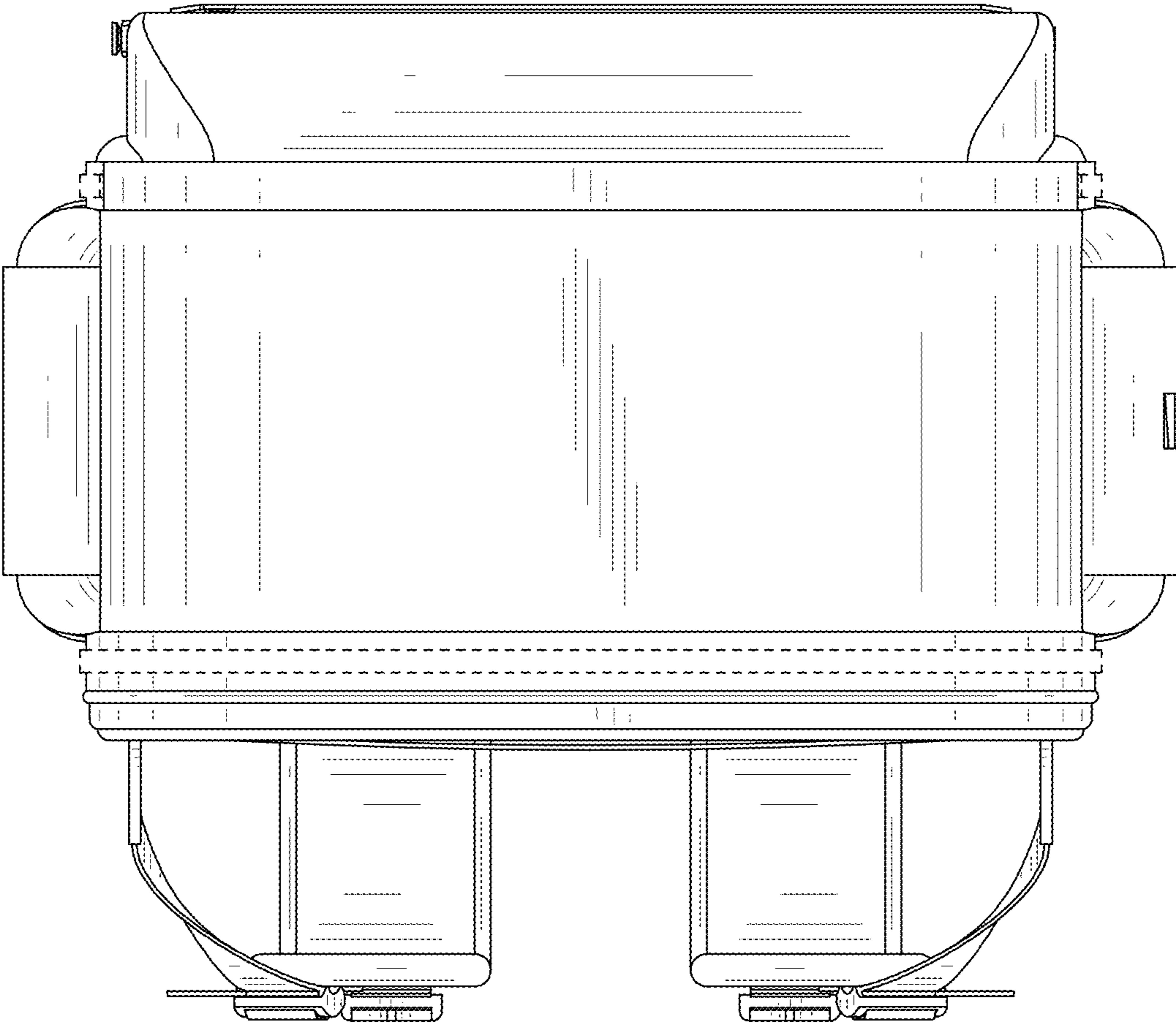


FIG.8