



US00D954426S

(12) **United States Design Patent**  
**Evancho**

(10) **Patent No.:** **US D954,426 S**

(45) **Date of Patent:** **\*\* Jun. 14, 2022**

(54) **MULTI-CONFIGURABLE TOTE BAG/SAC**

(71) Applicant: **Mary Evancho**, New York, NY (US)

(72) Inventor: **Mary Evancho**, New York, NY (US)

(73) Assignee: **KRAGSAC UC**, New York, NY (US)

(\*\*) Term: **15 Years**

(21) Appl. No.: **29/736,163**

(22) Filed: **May 28, 2020**

**Related U.S. Application Data**

(63) Continuation of application No. 29/641,861, filed on Mar. 26, 2018, now Pat. No. Des. 885,746.

(51) **LOC (13) Cl.** ..... **03-01**

(52) **U.S. Cl.**  
USPC ..... **D3/201**

(58) **Field of Classification Search**  
USPC ..... D3/201, 207, 208, 215, 226, 228, 229,  
D3/239, 269, 273, 290, 299, 303, 304,  
D3/316, 318; D9/702, 703, 705  
CPC .... A45F 3/04; A45C 3/00; A45C 3/06; A45C  
2003/007; A45C 2003/008  
See application file for complete search history.

(56) **References Cited**

**U.S. PATENT DOCUMENTS**

D497,050 S \* 10/2004 Grambush ..... D3/246  
D588,353 S \* 3/2009 Khubani ..... D3/201  
D637,809 S \* 5/2011 Meldeau ..... D3/232

(Continued)

*Primary Examiner* — Calvin E Vasant

(57) **CLAIM**

The ornamental design for a multi-configurable tote bag/sac, as shown and described.

**DESCRIPTION**

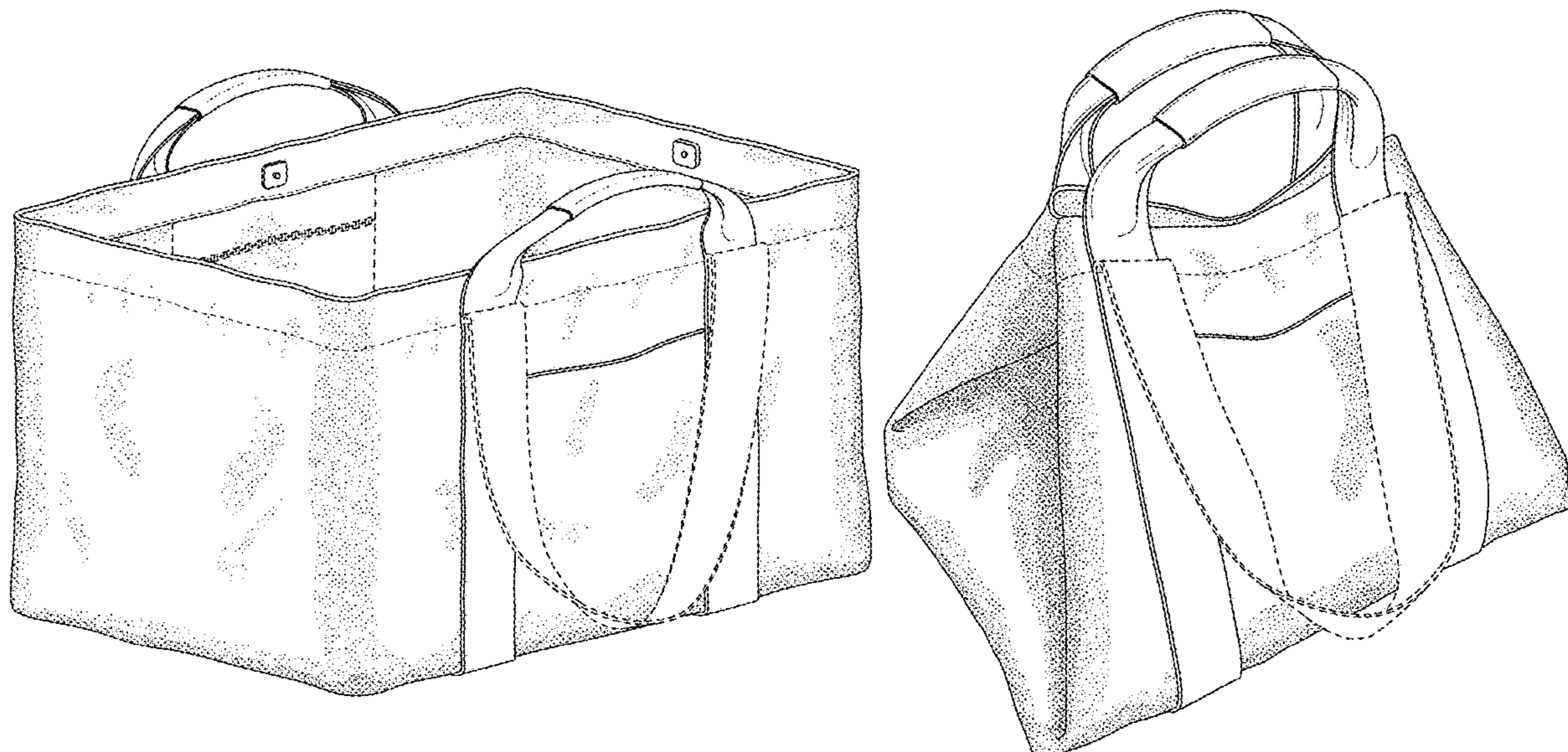
FIG. 1 is a front left perspective view of the multi-configurable tote bag/sac in an open configuration;  
FIG. 2 is a front elevational view thereof, the rear elevational view being identical;  
FIG. 3 is a right side elevational view thereof, the left side elevational view being identical;  
FIG. 4 is a top plan view thereof;  
FIG. 5 is a bottom plan view thereof;  
FIG. 6 is a front left perspective view of the multi-configurable tote bag/sac in a one-way closure configuration;  
FIG. 7 is a front elevational view thereof, the rear elevational view being identical;  
FIG. 8 is a right side elevational view thereof, the left side elevational view being identical;  
FIG. 9 is a top plan view thereof;  
FIG. 10 is a bottom plan view thereof;  
FIG. 11 is a front left perspective view of the multi-configurable tote bag/sac in a two-way closure configuration;  
FIG. 12 is a front elevational view thereof, the rear elevational view being identical;  
FIG. 13 is a right side elevational view thereof, the left side elevational view being identical;  
FIG. 14 is a top plan view thereof; and,  
FIG. 15 is a bottom plan view thereof.

The broken line along the top edge of the multi-configurable tote bag/sac is for the purpose of illustrating stitching and forms no part of the claimed design.

The broken lines showing interior pockets are for the purpose of illustrating functionality and/or environmental structure and form no part of the claimed design.

The broken lines showing shoulder straps are for the purpose of illustrating functionality and/or environmental structure and form no part of the claimed design.

**1 Claim, 15 Drawing Sheets**



(56)

**References Cited**

U.S. PATENT DOCUMENTS

D717,040	S *	11/2014	Swartzel	.....	D3/232
D720,131	S *	12/2014	Siegel	.....	D3/233
D739,654	S *	9/2015	Brouard	.....	D3/276
D751,815	S *	3/2016	Pedrazzi	.....	D3/245
D758,731	S *	6/2016	Noh	.....	D3/304
D776,929	S *	1/2017	Noh	.....	D3/315
D801,043	S *	10/2017	Lucas	.....	D3/246
D832,571	S *	11/2018	Franklin-Daisey	.....	D3/201
D832,579	S *	11/2018	Monroe	.....	D3/307
D855,982	S *	8/2019	McGinn	.....	D3/246
D866,951	S *	11/2019	Evancho	.....	D3/201
D883,666	S *	5/2020	Kim	.....	D3/276
D885,746	S *	6/2020	Evancho	.....	A45C 13/1023
					D3/201
D886,537	S *	6/2020	Jacobsen	.....	A45C 3/04
					D7/607
D918,570	S *	5/2021	Seiders	.....	A45C 7/009
					D3/201
2013/0087423	A1 *	4/2013	Bettua	.....	A45C 7/009
					190/105
2016/0286917	A1 *	10/2016	Lewis	.....	A45C 13/1023
2017/0099920	A1 *	4/2017	Bailey	.....	A45C 3/04

\* cited by examiner

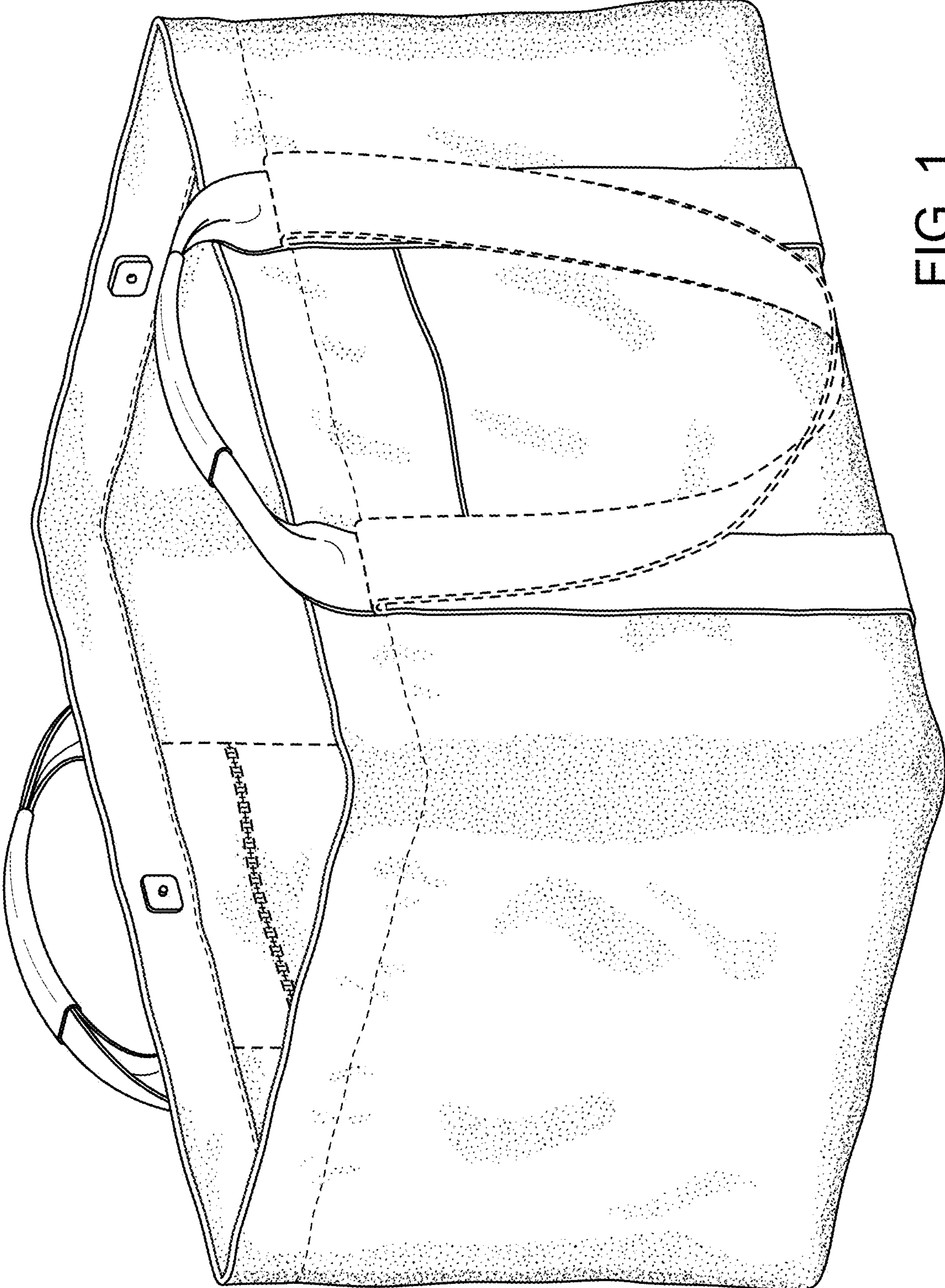


FIG. 1

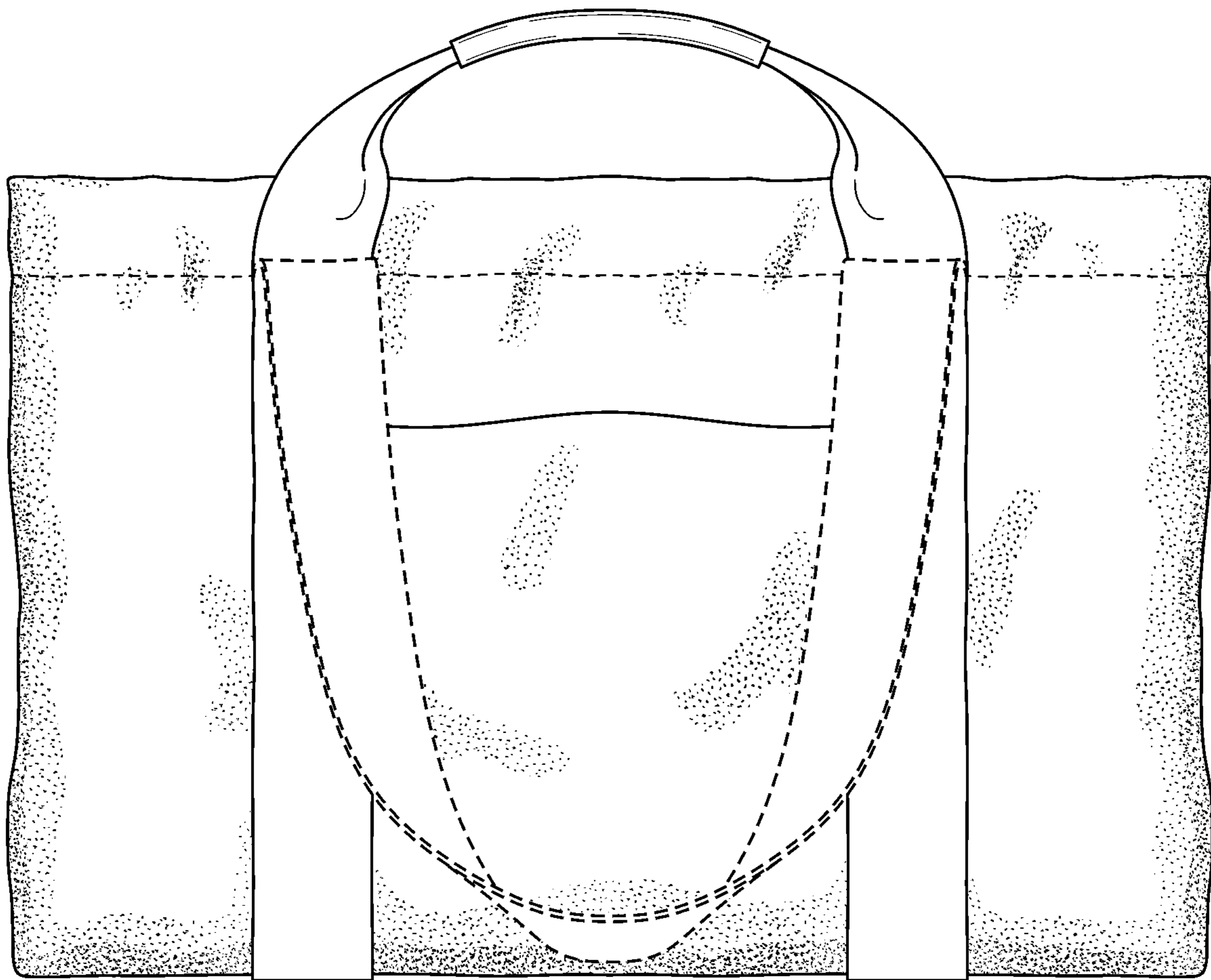


FIG. 2

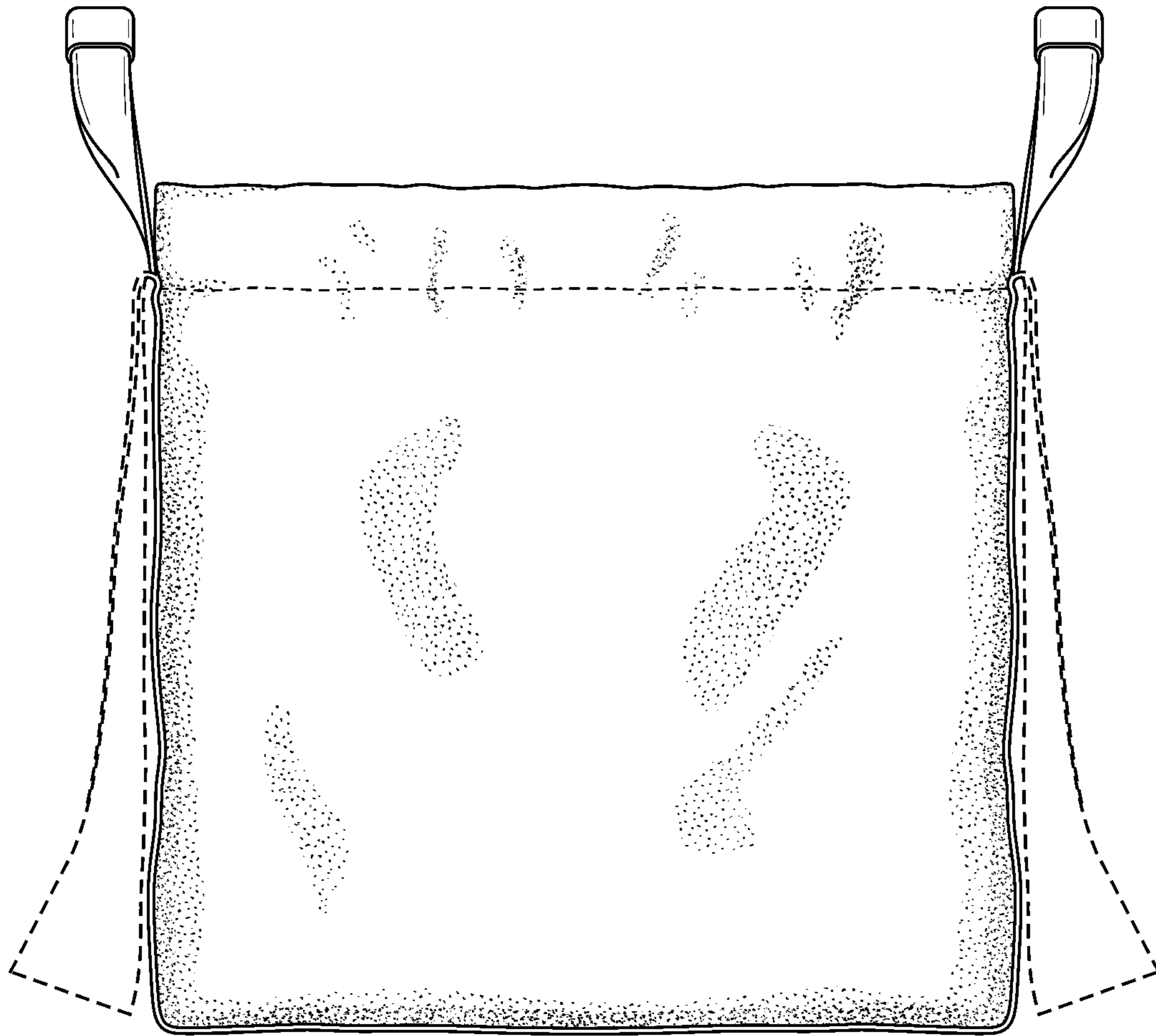


FIG. 3

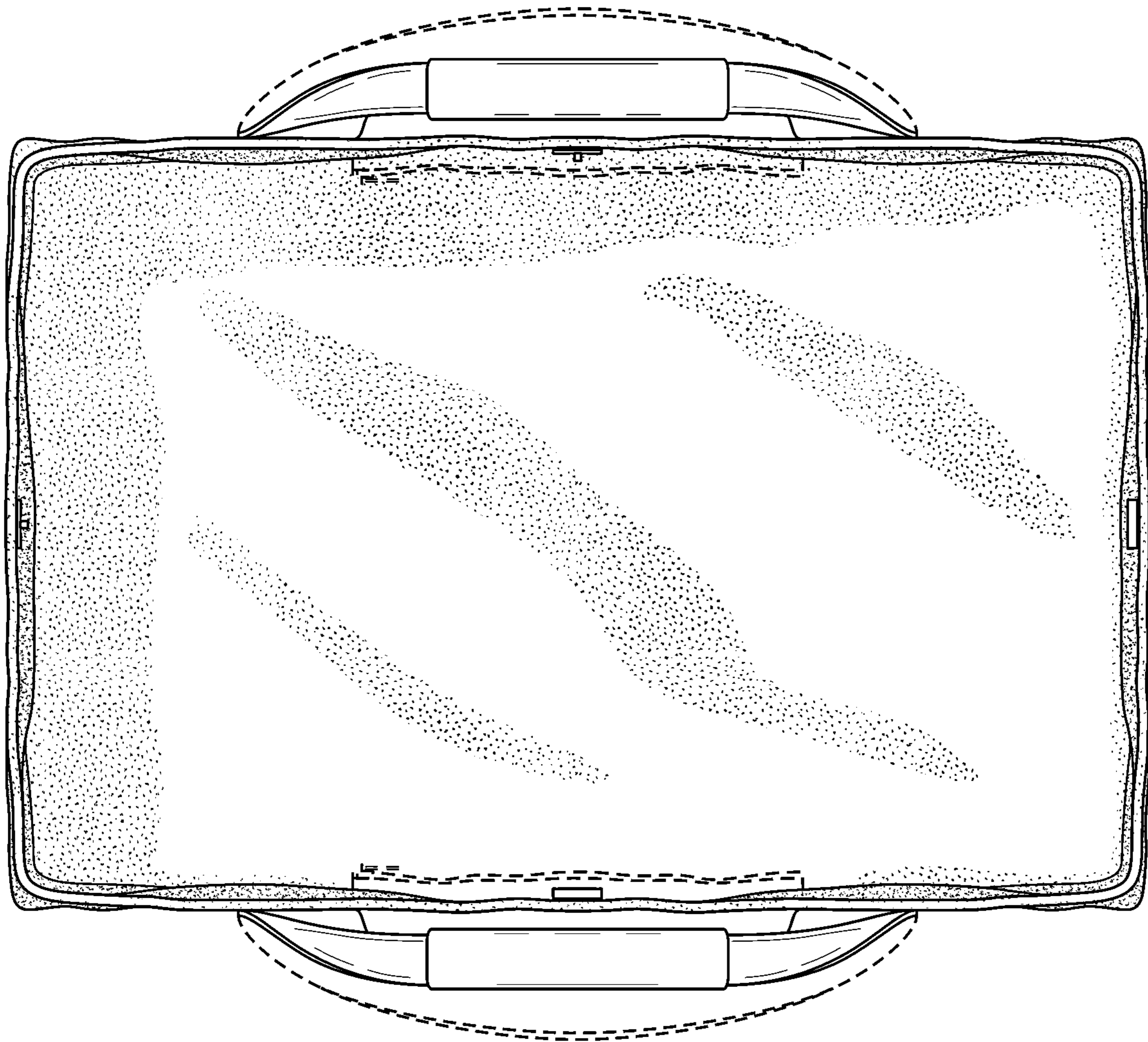


FIG. 4

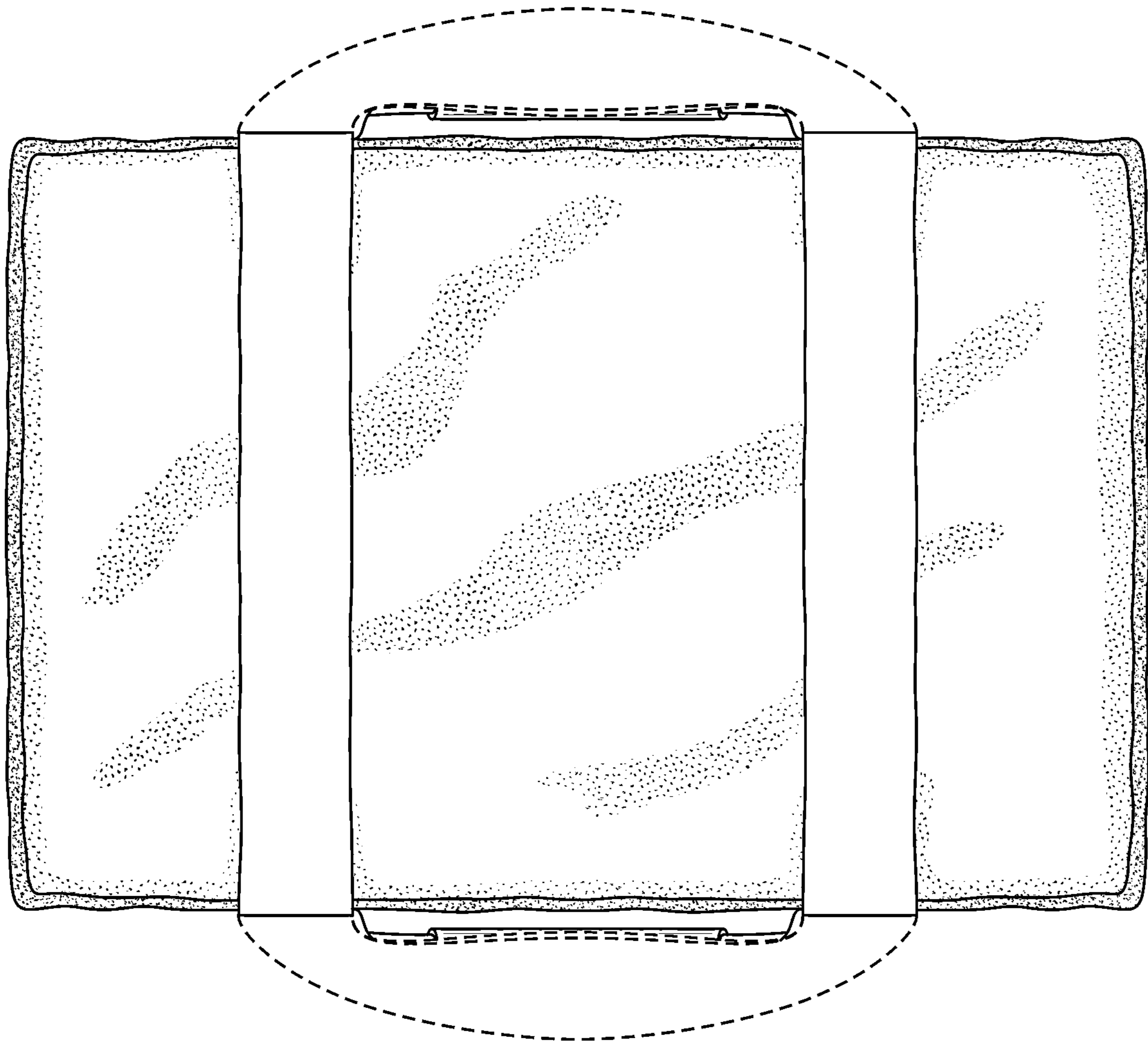


FIG. 5

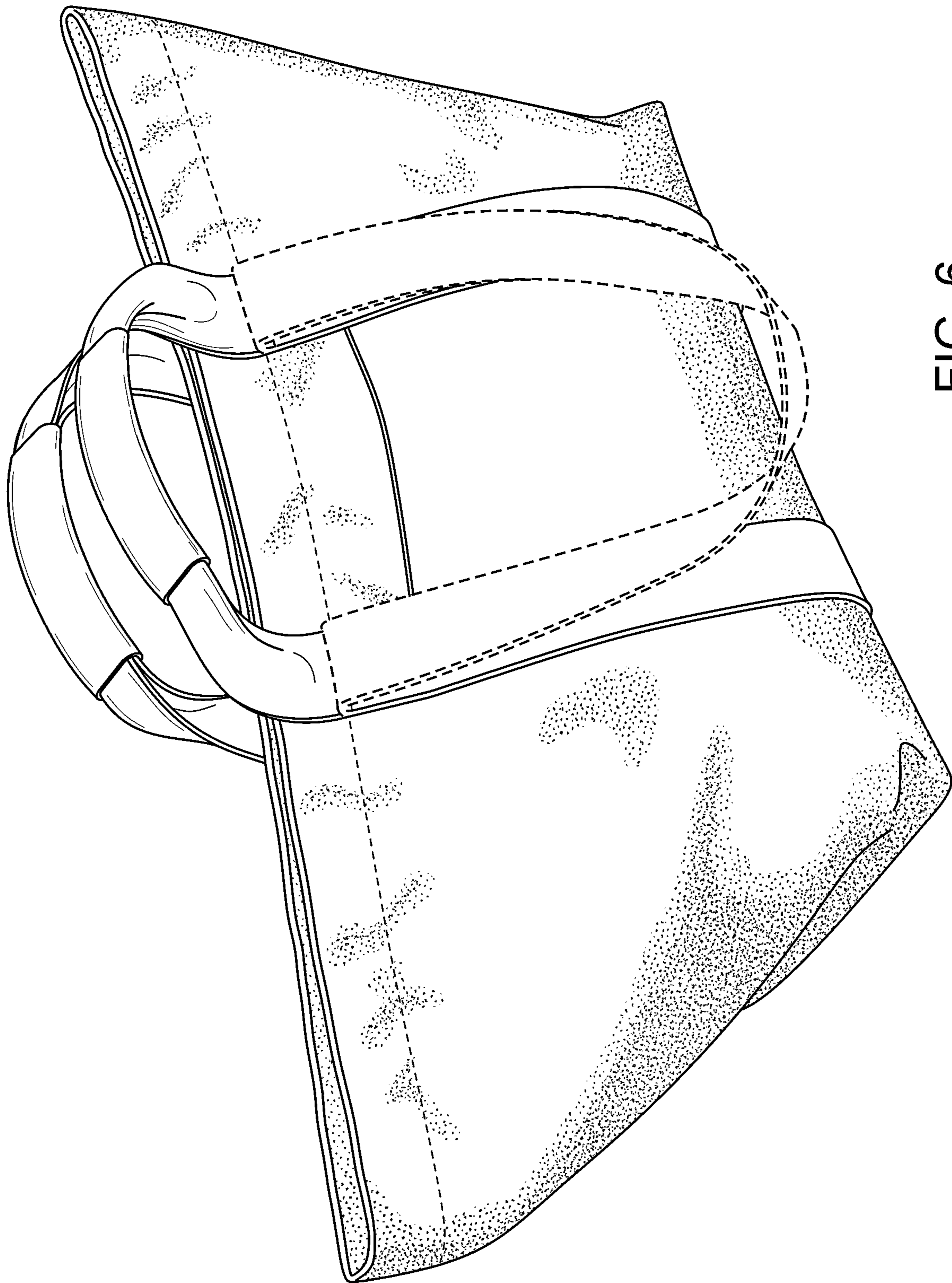


FIG. 6



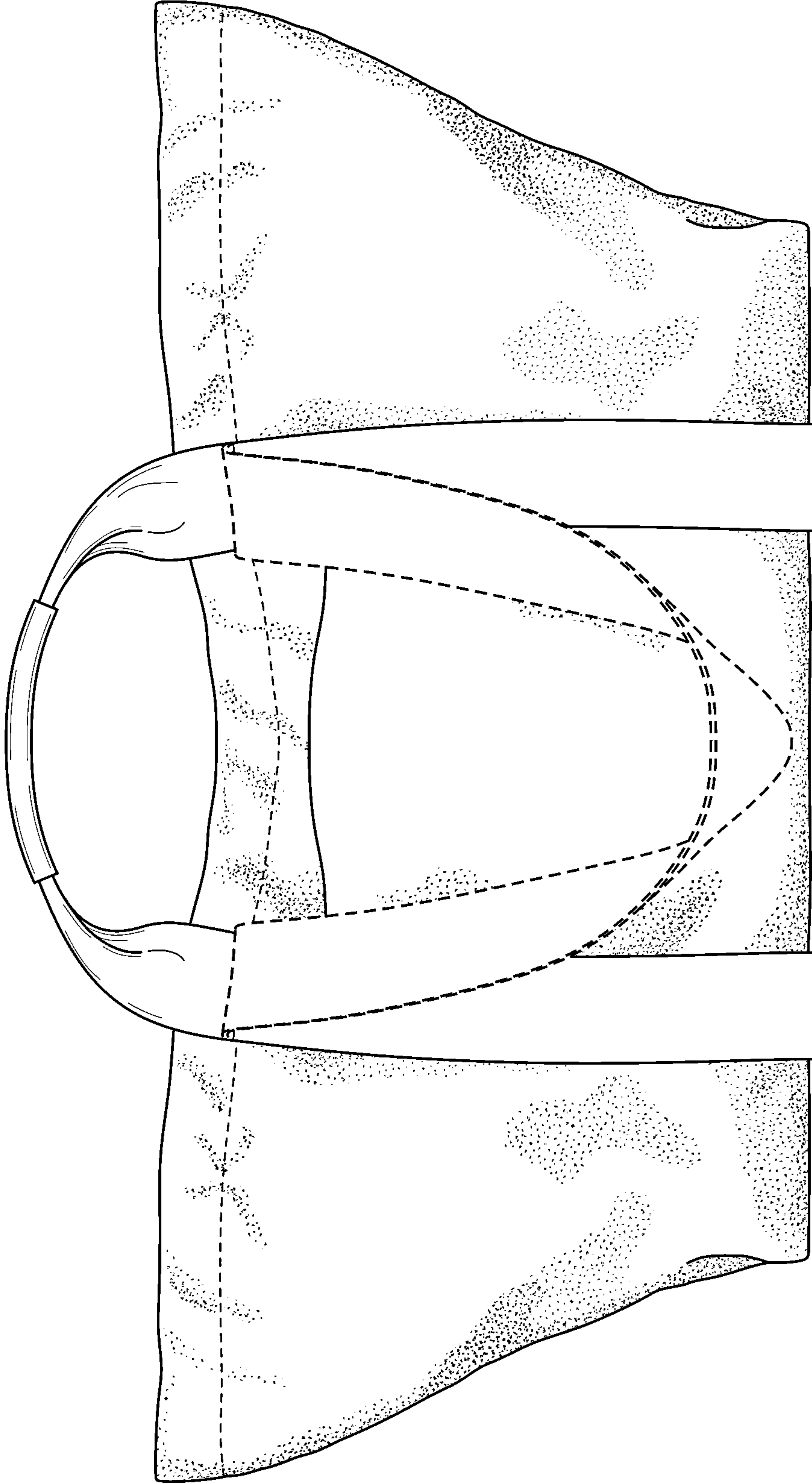


FIG. 7

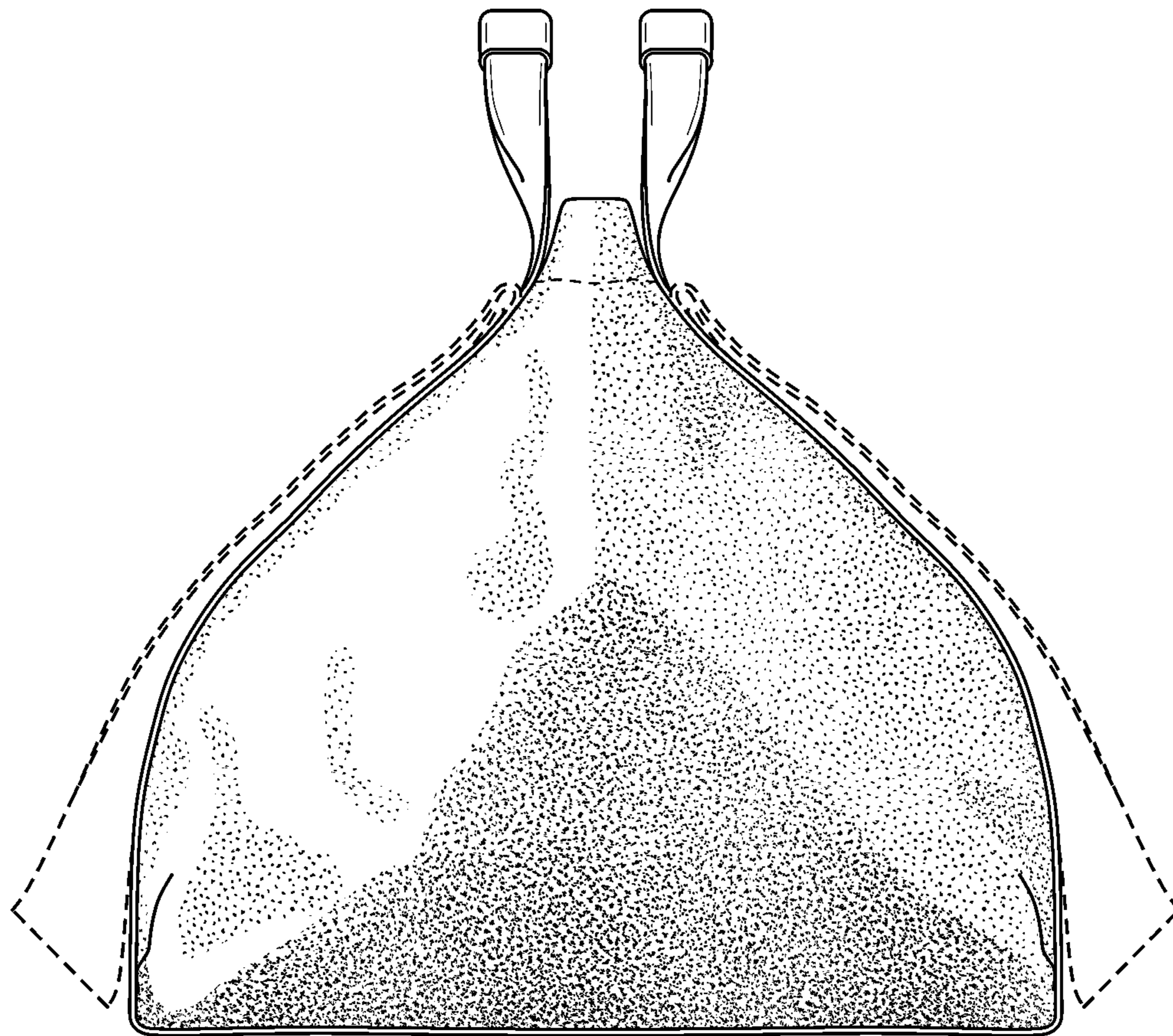


FIG. 8

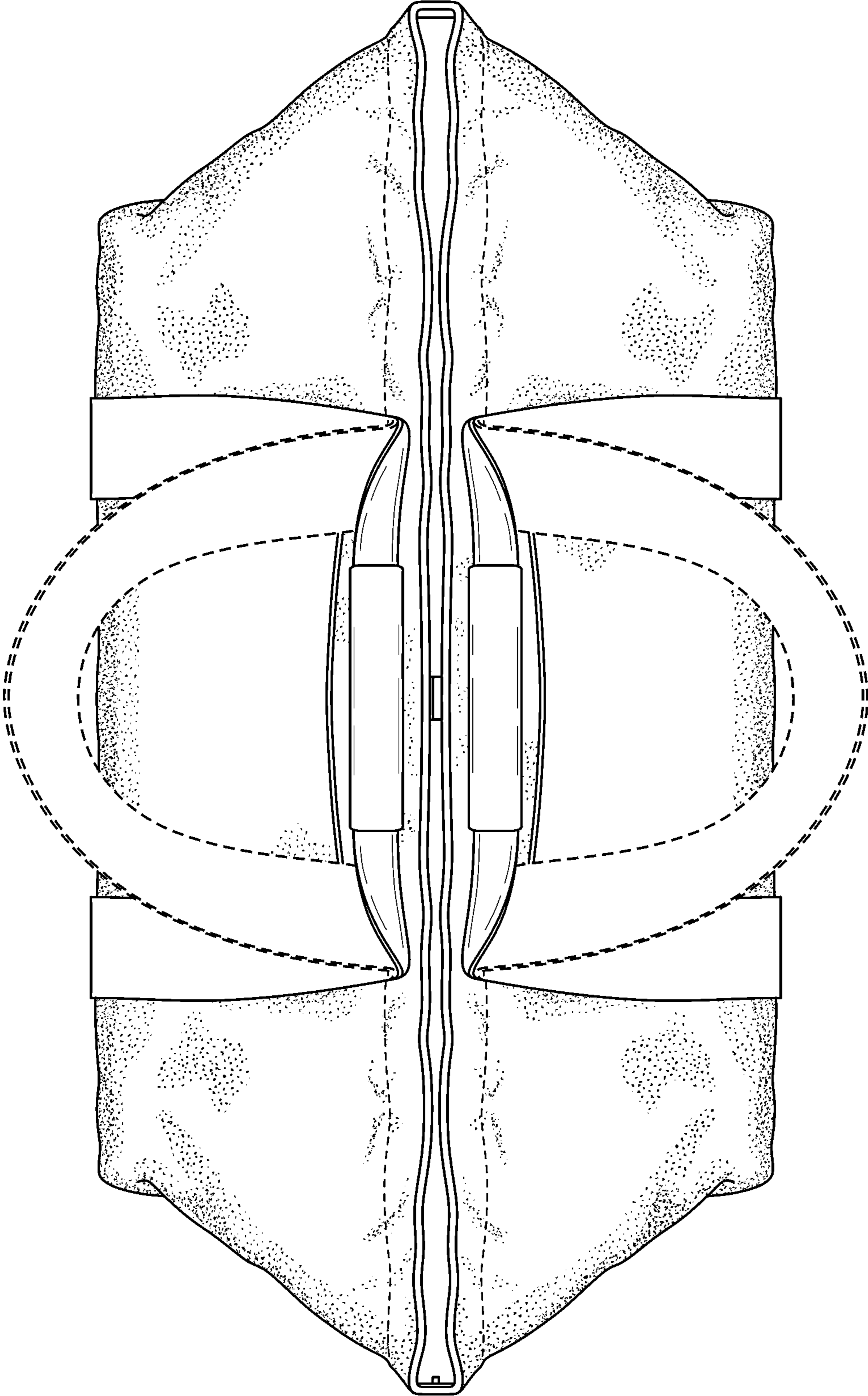


FIG. 9

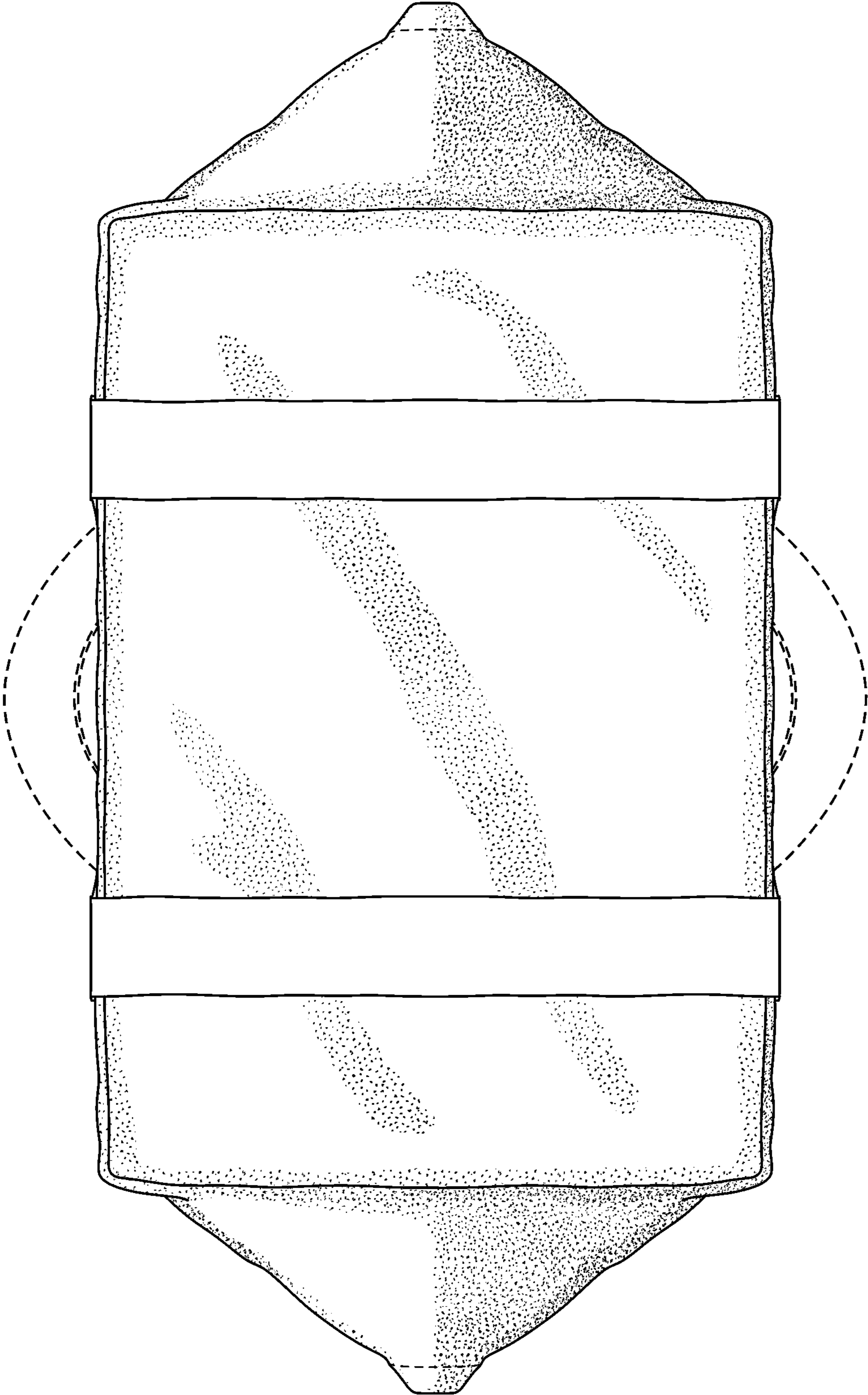


FIG. 10

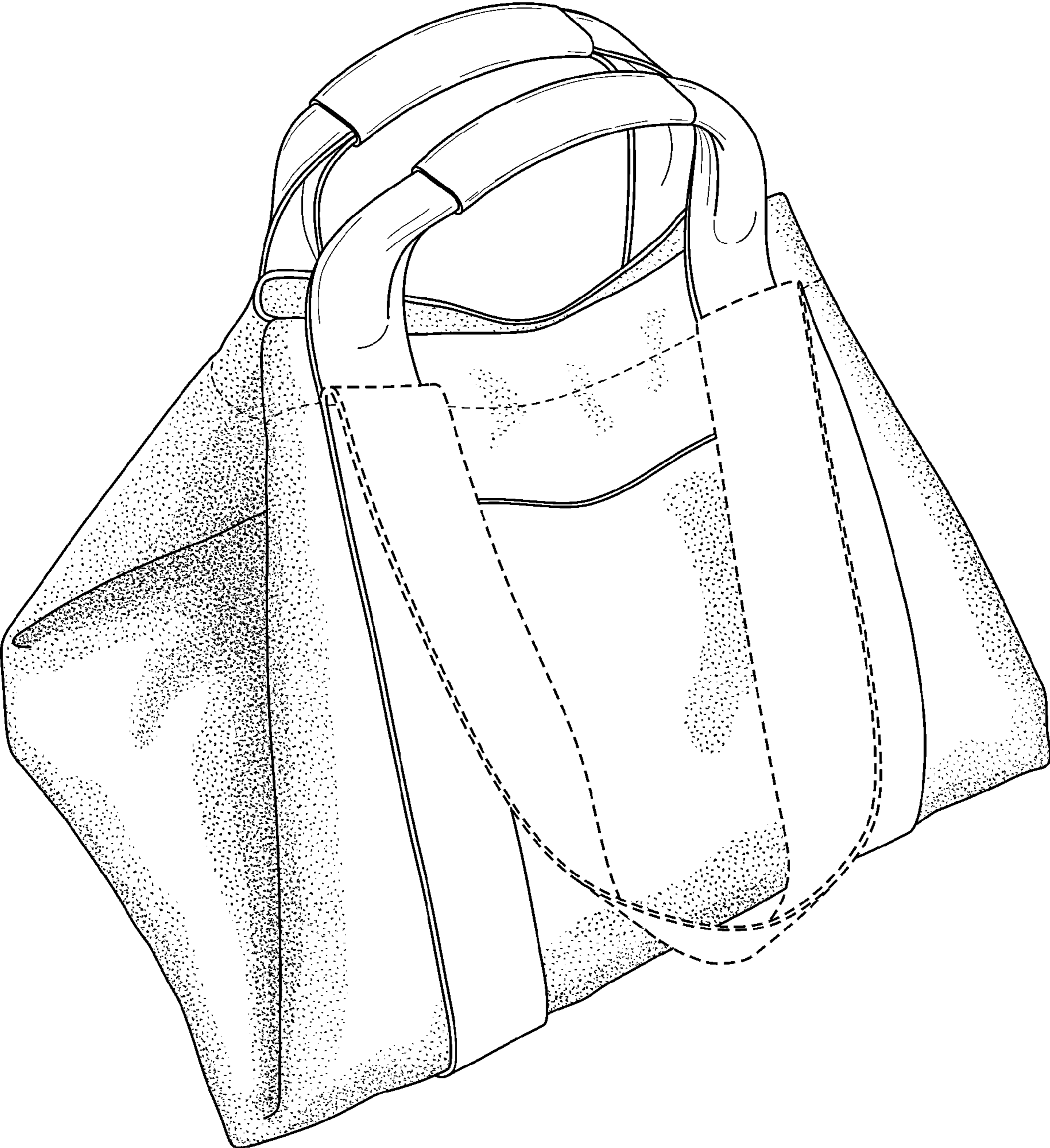


FIG. 11

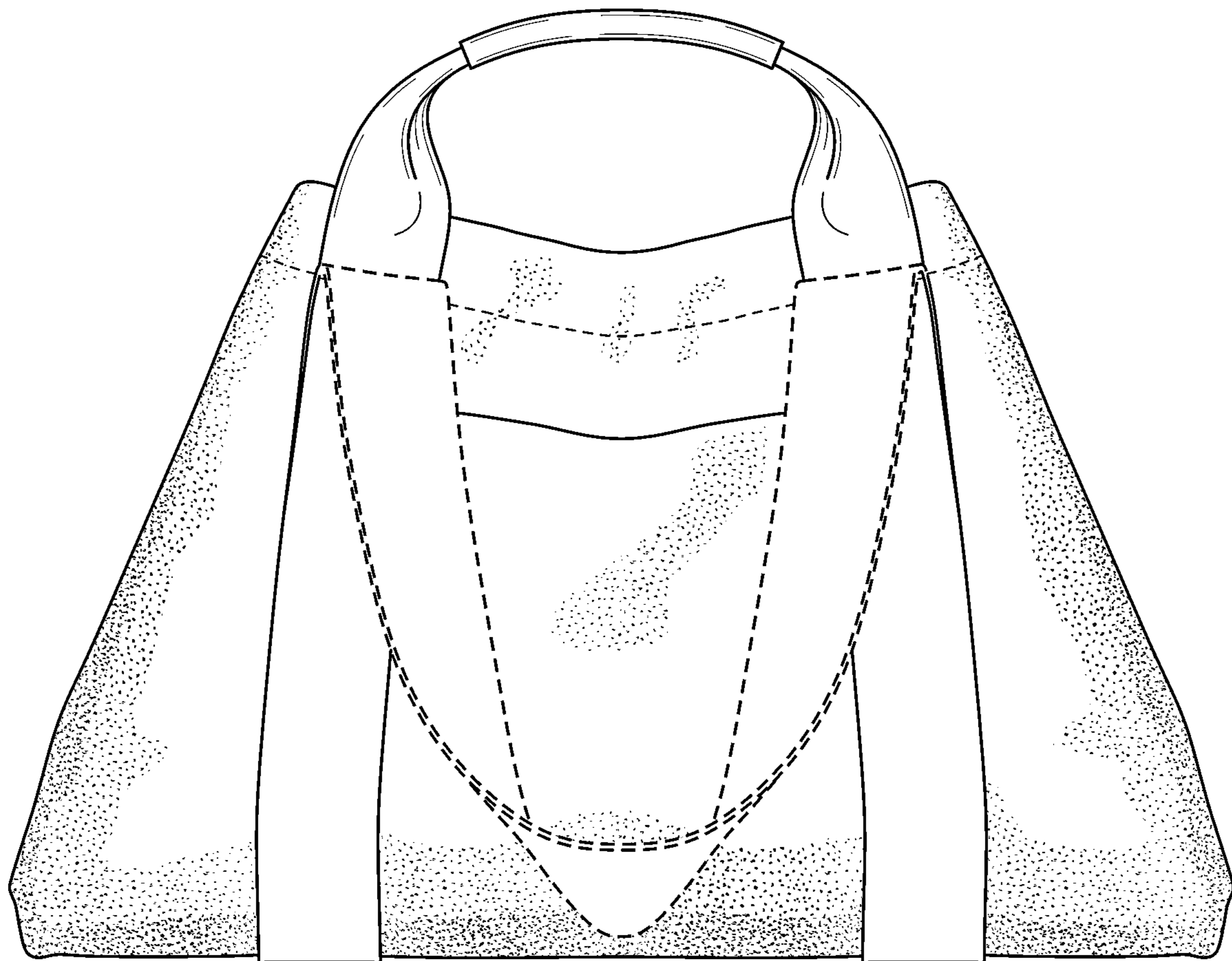


FIG. 12

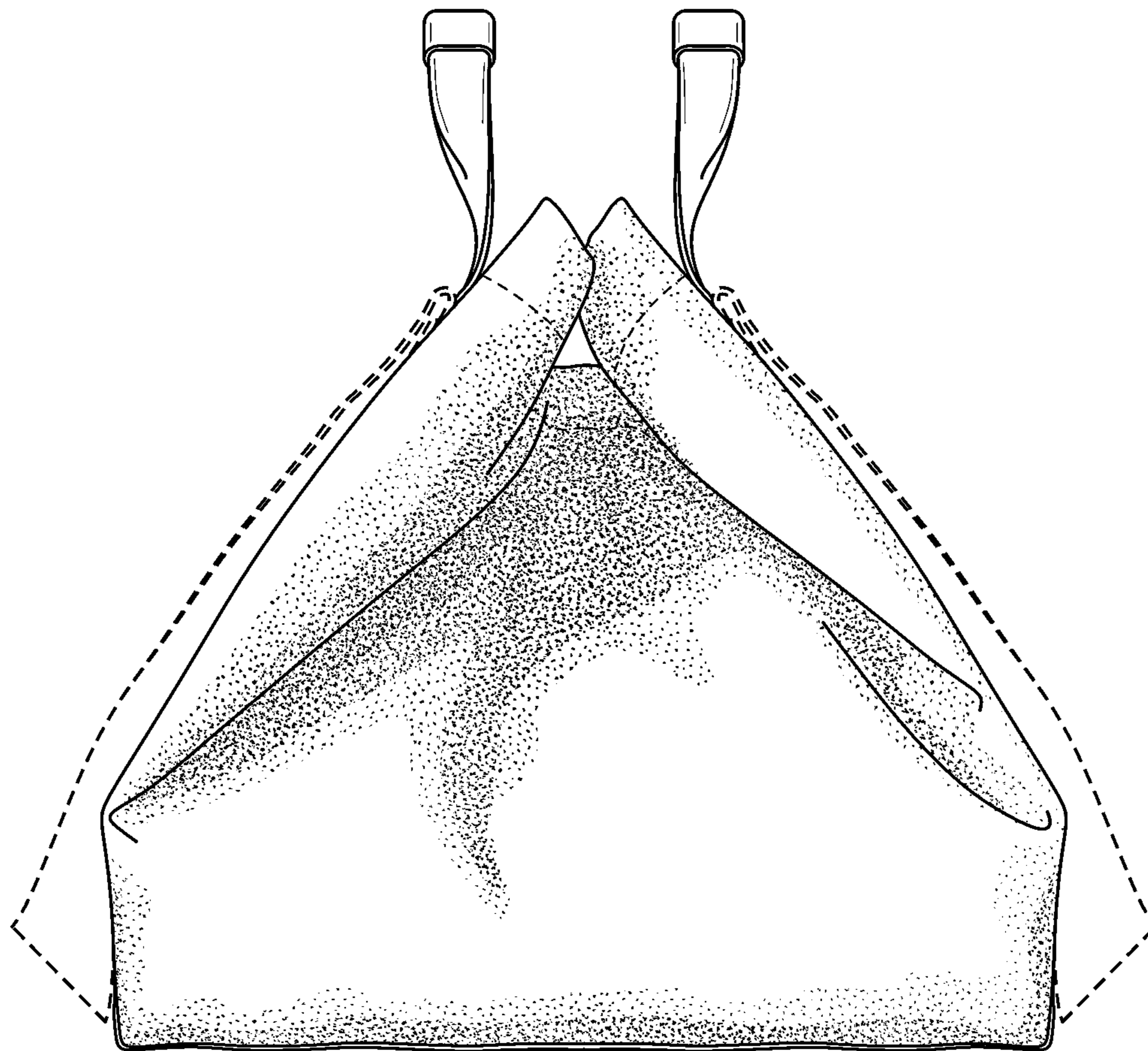


FIG. 13

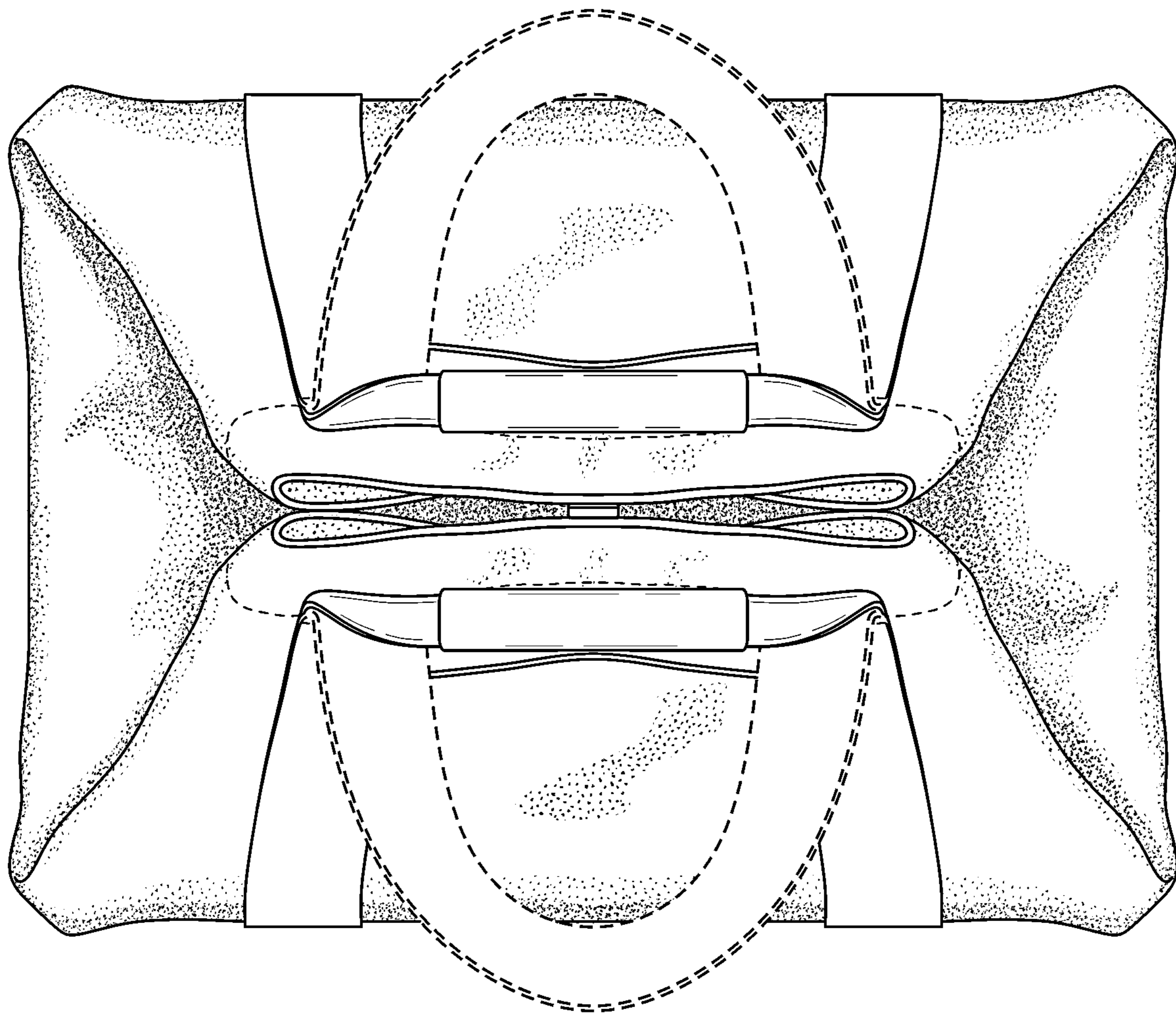


FIG. 14



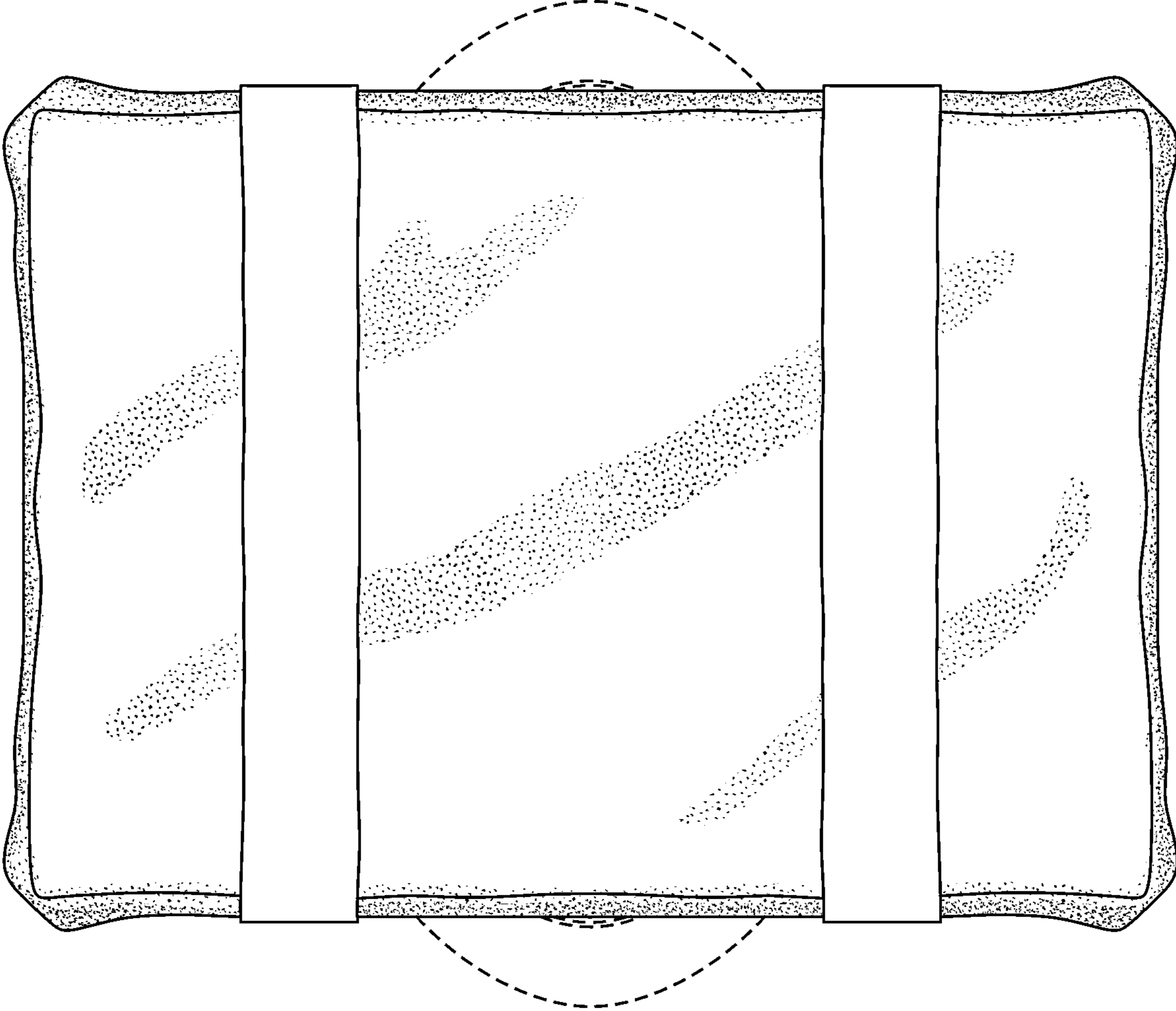


FIG. 15