



US00D954417S

(12) **United States Design Patent**
Bidal et al.

(10) **Patent No.:** **US D954,417 S**
(45) **Date of Patent:** **** Jun. 14, 2022**

- (54) **GOLF SHOE OUTSOLE**
- (71) Applicant: **Acushnet Company**, Fairhaven, MA (US)
- (72) Inventors: **Jean-Marie Bidal**, Bridgewater, MA (US); **John F. Swigart**, Portland, OR (US); **Robert S. Bento**, Raynham, MA (US)
- (73) Assignee: **Acushnet Company**, Fairhaven, MA (US)
- (**) Term: **15 Years**

D325,815 S * 5/1992 Bass D2/955
 D335,953 S * 6/1993 Tyng D2/954
 5,932,336 A * 8/1999 Allen A43B 13/12
 428/315.5
 5,983,529 A * 11/1999 Serna A43B 13/141
 36/28
 6,082,023 A 7/2000 Dalton
 D468,515 S * 1/2003 Lane, III D2/951

(Continued)

Primary Examiner — T Chase Nelson
(74) *Attorney, Agent, or Firm* — Kristin D. Wheeler

(57) **CLAIM**

The ornamental design for a golf shoe outsole, as shown and described.

DESCRIPTION

FIG. 1 is a medial side perspective view of the golf shoe outsole according to a first embodiment of our design;
 FIG. 2 is a bottom plan view thereof;
 FIG. 3 is a front elevation view thereof;
 FIG. 4 is a medial side view thereof;
 FIG. 5 is a rear elevation view thereof;
 FIG. 6 is a lateral side view thereof;
 FIG. 7 is a top plan view thereof;
 FIG. 8 is a medial side perspective view of the golf shoe outsole according to a second embodiment of our design;
 FIG. 9 is a bottom plan view thereof;
 FIG. 10 is a front elevation view thereof;
 FIG. 11 is a medial side view thereof;
 FIG. 12 is a rear elevation view thereof;
 FIG. 13 is a lateral side view thereof; and,
 FIG. 14 is a top plan view thereof.

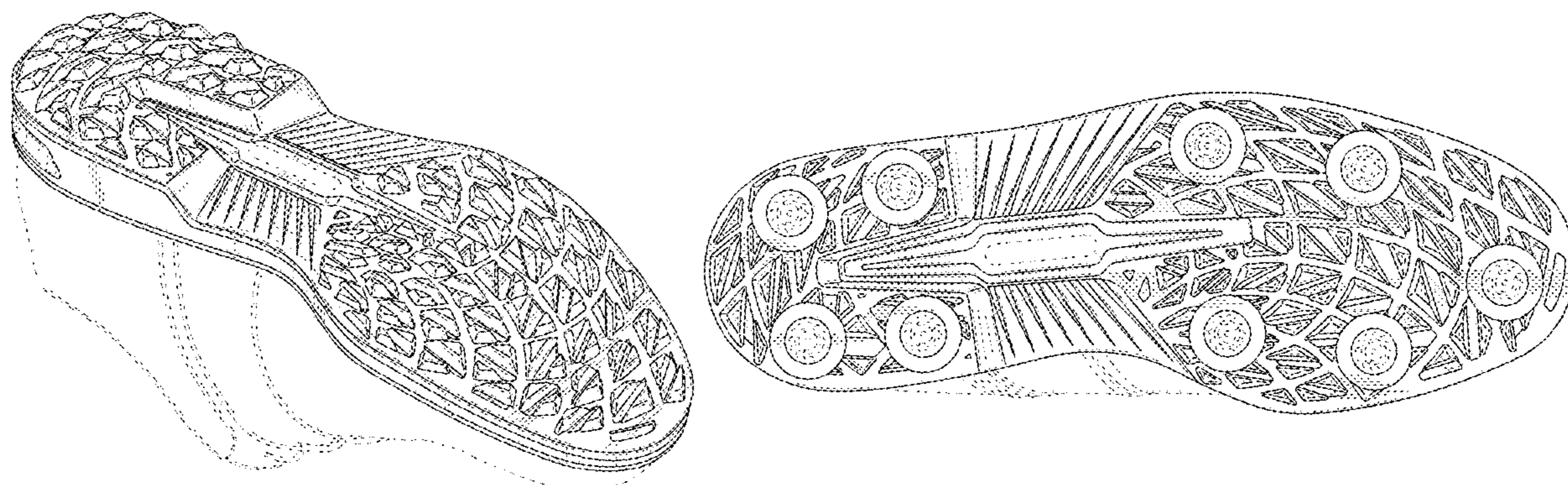
In FIGS. 1-14, the broken lines and unshaded surfaces within the broken lines upon the claimed surfaces show portions of the golf shoe outsole, including spike like receptacles, which form no part of the claimed design. The remaining broken lines showing the upper of the shoe, including the laces and logo, depict environmental structure also forming no part of the claimed design.

1 Claim, 10 Drawing Sheets

- (21) Appl. No.: **29/727,278**
- (22) Filed: **Mar. 10, 2020**
- (51) **LOC (13) Cl.** **02-04**
- (52) **U.S. Cl.**
USPC **D2/959**; D2/951; D2/954; D2/956
- (58) **Field of Classification Search**
USPC D2/902, 906, 908, 916, 918, 925,
D2/946-962, 977; 36/3 B, 22 R, 24.5,
36/25 R, 28, 32 R, 34 R, 59 C, 67 A, 103
CPC A43B 13/00; A43B 13/02; A43B 13/023;
A43B 13/026; A43B 13/04; A43B 13/08;
A43B 13/10; A43B 13/12; A43B 13/14;
A43B 13/141; A43B 13/143; A43B
13/16; A43B 13/18; A43B 13/181; A43B
13/187; A43B 13/189; A43B 13/20; A43B
13/22; A43B 13/223; A43B 13/24; A43B
13/28; A43B 13/30; A43B 13/32; A43B
13/34; A43B 13/36
See application file for complete search history.

(56) **References Cited**
U.S. PATENT DOCUMENTS

D201,865 S * 8/1965 Bingham et al. D2/955
 D281,370 S * 11/1985 Peel D2/955
 4,782,604 A 11/1988 Wen-Shown



(56)

References Cited

U.S. PATENT DOCUMENTS

D483,175 S * 12/2003 Robinson, Jr. D2/951
 D493,609 S * 8/2004 Robinson, Jr. D2/954
 6,948,264 B1 9/2005 Lyden
 D510,796 S * 10/2005 Erickson D2/951
 D527,876 S * 9/2006 Robinson, Jr. D2/951
 D552,337 S * 10/2007 Parekh D2/953
 D561,443 S * 2/2008 Robinson, Jr. D2/953
 D564,192 S * 3/2008 Covatch D2/953
 D583,540 S * 12/2008 Henderson D2/951
 D591,946 S * 5/2009 St-Louis D2/951
 D593,736 S * 6/2009 Mochen D2/951
 D601,785 S * 10/2009 Lane, III D2/951
 D634,923 S * 3/2011 Lacey D2/960
 7,895,773 B2 3/2011 Robinson, Jr. et al.
 8,011,118 B2 9/2011 Gerber
 D652,613 S * 1/2012 Raysse D2/954
 8,197,736 B2 6/2012 Frasson et al.
 8,375,604 B2 2/2013 Eder et al.
 8,677,657 B2 3/2014 Bacon et al.
 8,776,403 B2 7/2014 Eder et al.
 D736,509 S * 8/2015 Bikowski D2/958
 D756,617 S * 5/2016 Weddle D2/954
 9,332,803 B2 5/2016 Kasprzak
 D766,558 S * 9/2016 Weddle D2/954
 D778,557 S * 2/2017 Lee D2/954
 D779,178 S * 2/2017 Lee D2/954
 D783,248 S * 4/2017 Woodman D2/954
 D796,805 S * 9/2017 Raysse D2/953
 D808,132 S * 1/2018 Sars D2/906
 D811,705 S * 3/2018 Hughes D2/957
 10,004,294 B2 6/2018 Swegle et al.
 D822,968 S * 7/2018 Moranges A43B 13/04
 D825,905 S * 8/2018 Bacon D2/960
 D826,527 S * 8/2018 Petrie A43B 13/181
 D841,300 S * 2/2019 Albrecht D2/959
 D841,964 S * 3/2019 Kaiserswerth D2/957
 D849,380 S * 5/2019 Howe D2/957
 D849,382 S * 5/2019 Jenkins D2/959
 D856,638 S * 8/2019 Bacon D2/906
 D871,740 S * 1/2020 Weddle D2/960
 D876,058 S * 2/2020 Shyllon A43C 15/161
 10,653,207 B1 * 5/2020 Ochipa A43B 13/36
 D892,478 S * 8/2020 Hobson D2/947
 D893,152 S * 8/2020 Jenkins D2/959
 D894,563 S * 9/2020 Weddle D2/957

D894,571 S * 9/2020 Jenkins D2/959
 D903,993 S * 12/2020 Stefan D2/959
 D912,963 S * 3/2021 Bidal D2/969
 D914,343 S * 3/2021 Weddle D2/959
 10,953,349 B2 * 3/2021 Walker A43B 13/189
 D918,546 S * 5/2021 Rasmussen D2/947
 D919,272 S * 5/2021 Tu D2/961
 D921,344 S * 6/2021 Weddle D2/947
 D923,922 S * 7/2021 Winskowicz D2/906
 D932,168 S * 10/2021 Kuerbis D2/959
 D934,542 S * 11/2021 Bidal D2/953
 2003/0131501 A1 * 7/2003 Erickson A43B 3/0078
 2003/0131503 A1 * 7/2003 Erickson A43B 13/10
 2004/0181974 A1 * 9/2004 Robinson, Jr. A43B 19/00
 2009/0013561 A1 * 1/2009 Robinson, Jr. A43B 13/16
 2009/0188132 A1 7/2009 Fujikawa et al.
 2009/0249648 A1 * 10/2009 Brown A43B 5/001
 2009/0307933 A1 * 12/2009 Leach A43C 15/161
 2011/0252669 A1 10/2011 Kasprzak
 2012/0324762 A1 12/2012 Soumokil et al.
 2013/0213146 A1 * 8/2013 Amos G01L 1/20
 2015/0305447 A1 * 10/2015 Cavaliere A43C 15/161
 2016/0051009 A1 * 2/2016 Kormann B22F 10/20
 2018/0000191 A1 * 1/2018 Bacon A43B 5/001
 2018/0084862 A1 * 3/2018 Bacon A43B 13/141
 2018/0125145 A1 * 5/2018 Giordani A43B 23/0235
 2020/0046072 A1 * 2/2020 Bento A43B 13/223
 2020/0146389 A1 * 5/2020 Bidal A43B 13/223
 2020/0245716 A1 * 8/2020 Bidal A43B 13/223
 2020/0305549 A1 * 10/2020 Bailly A43B 1/0072
 2020/0315293 A1 * 10/2020 Zhao A43B 3/0052
 2020/0390186 A1 * 12/2020 Locke A43B 7/081
 2021/0000217 A1 * 1/2021 Bidal A43B 13/26
 2021/0015210 A1 * 1/2021 Farr A43B 15/00
 2021/0022445 A1 * 1/2021 Dua D06N 3/0088
 2021/0059351 A1 * 3/2021 Piacentini A43B 13/20
 2021/0127781 A1 * 5/2021 Xanthos A43B 13/141
 2021/0219666 A1 * 7/2021 Fedderly A43B 13/181
 2021/0244136 A1 * 8/2021 Fedderly A43B 13/04
 2021/0259353 A1 * 8/2021 Bidal A43B 13/125

* cited by examiner

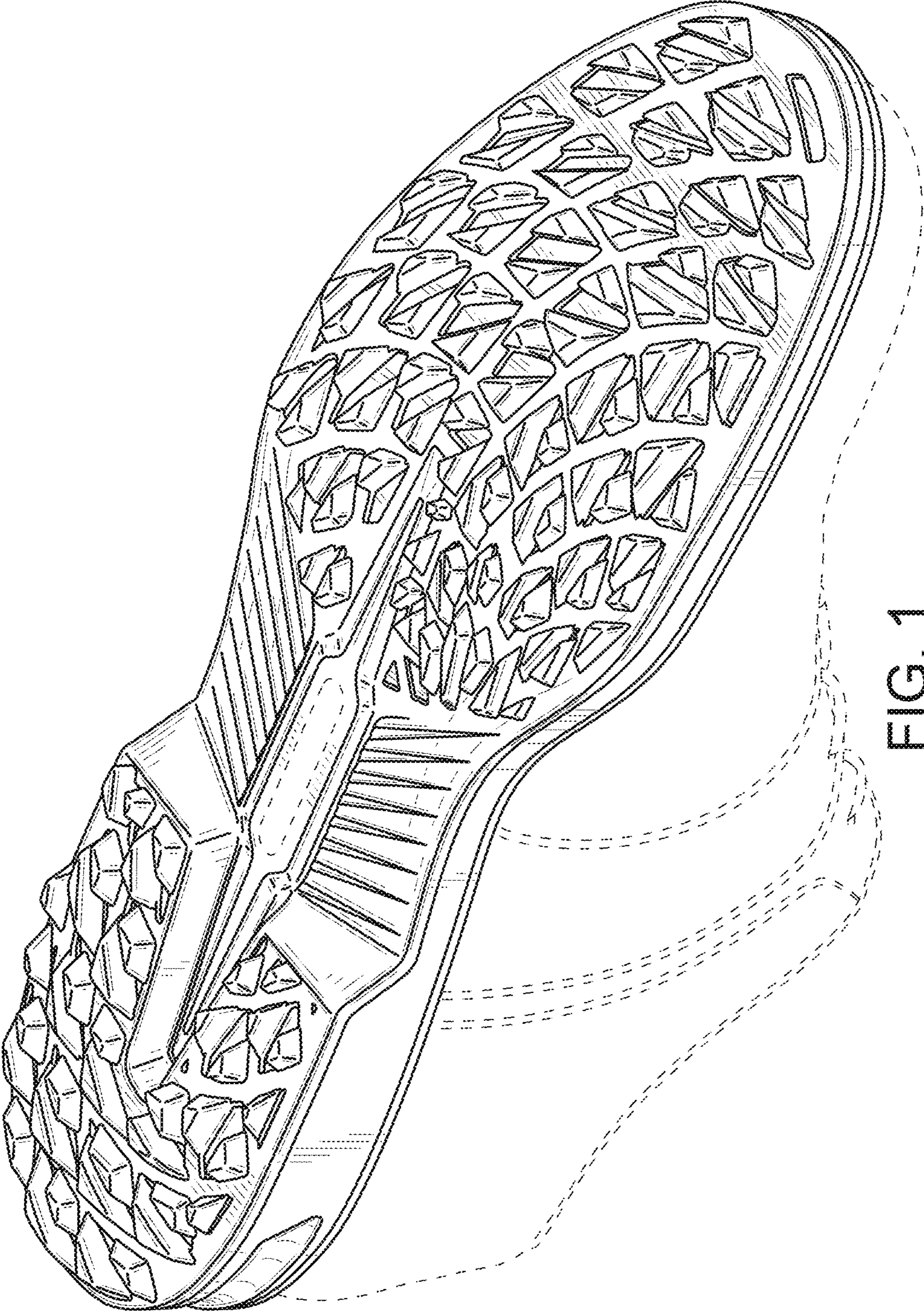


FIG. 1

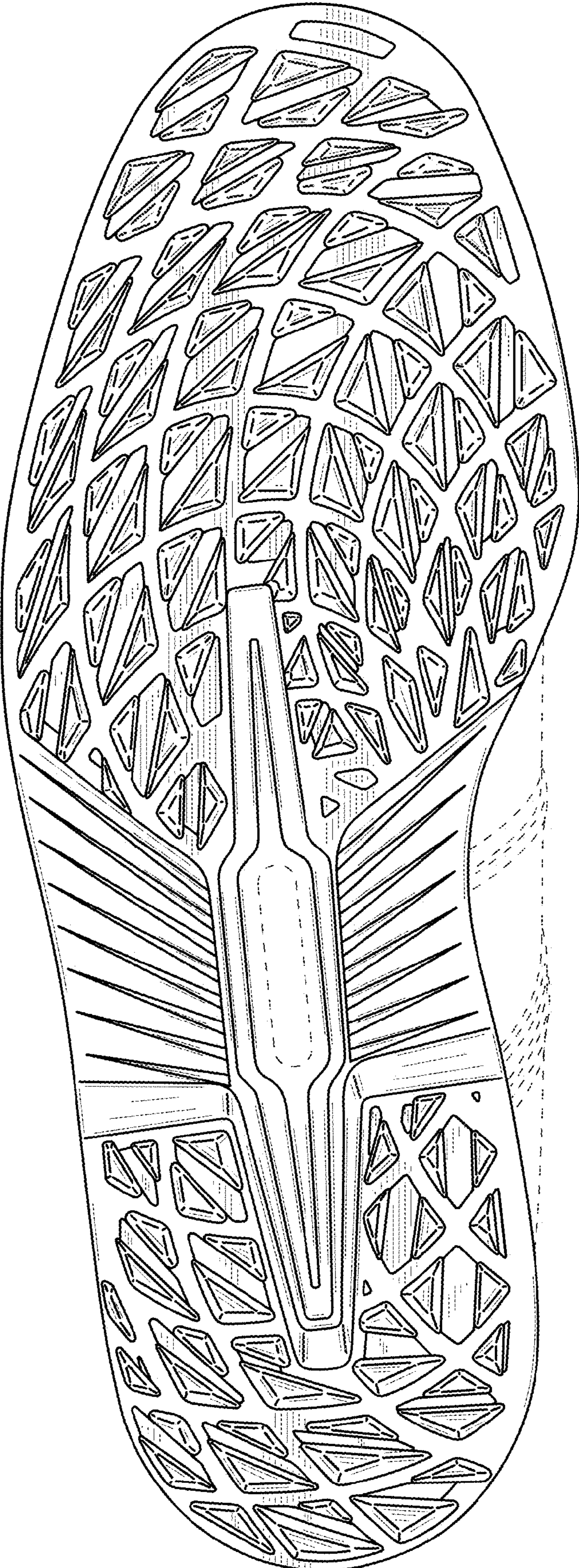
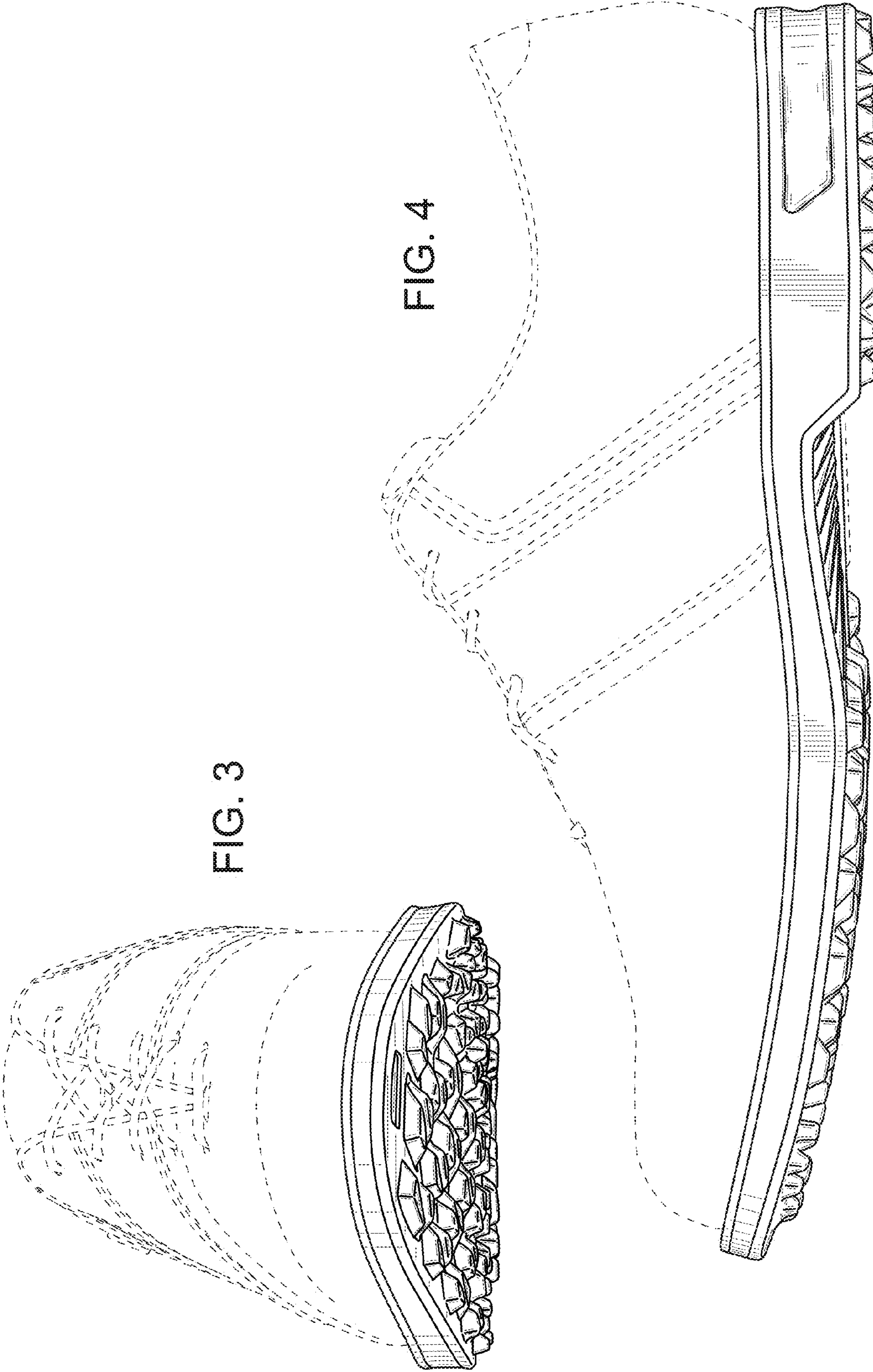


FIG. 2



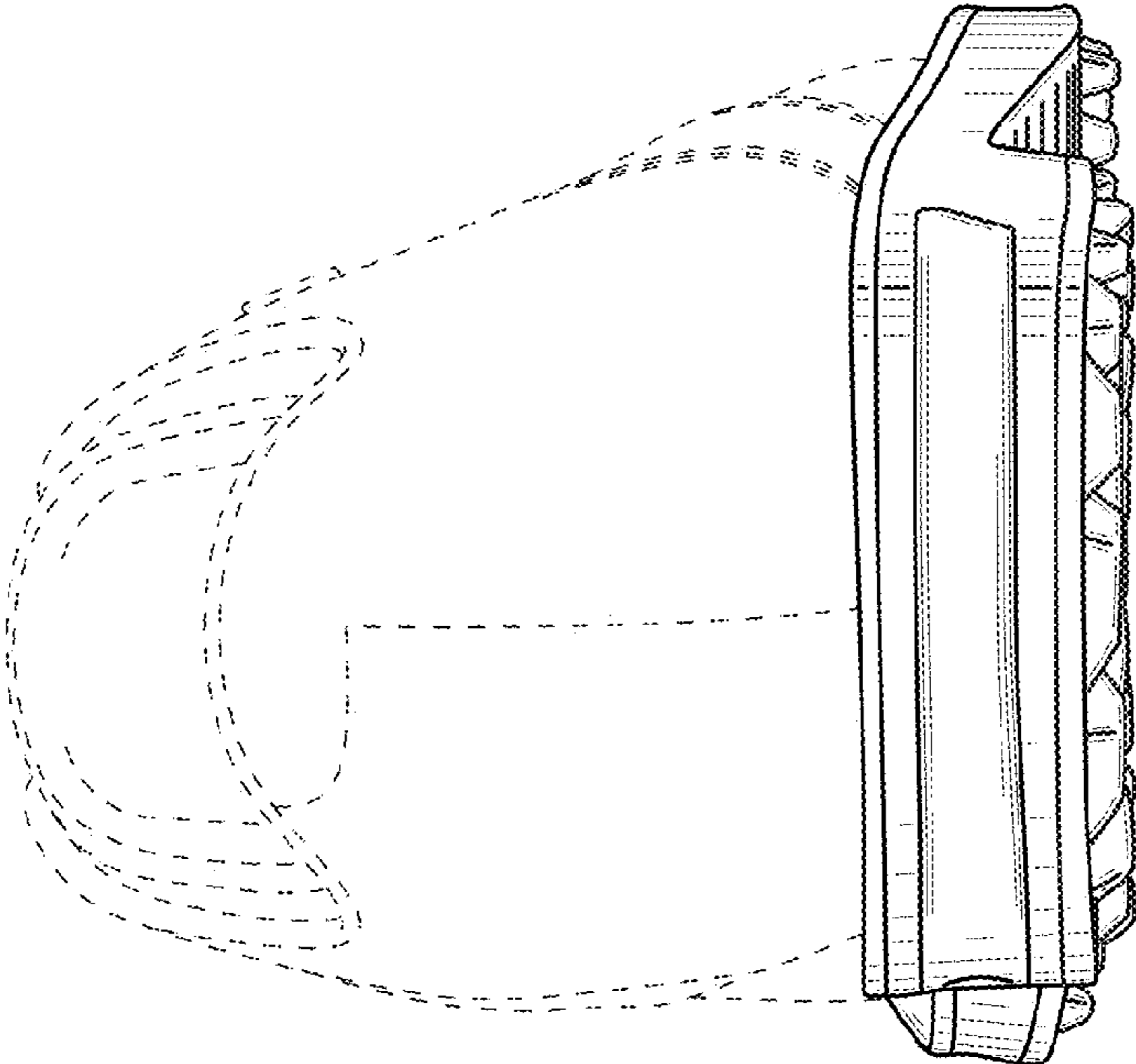


FIG. 5

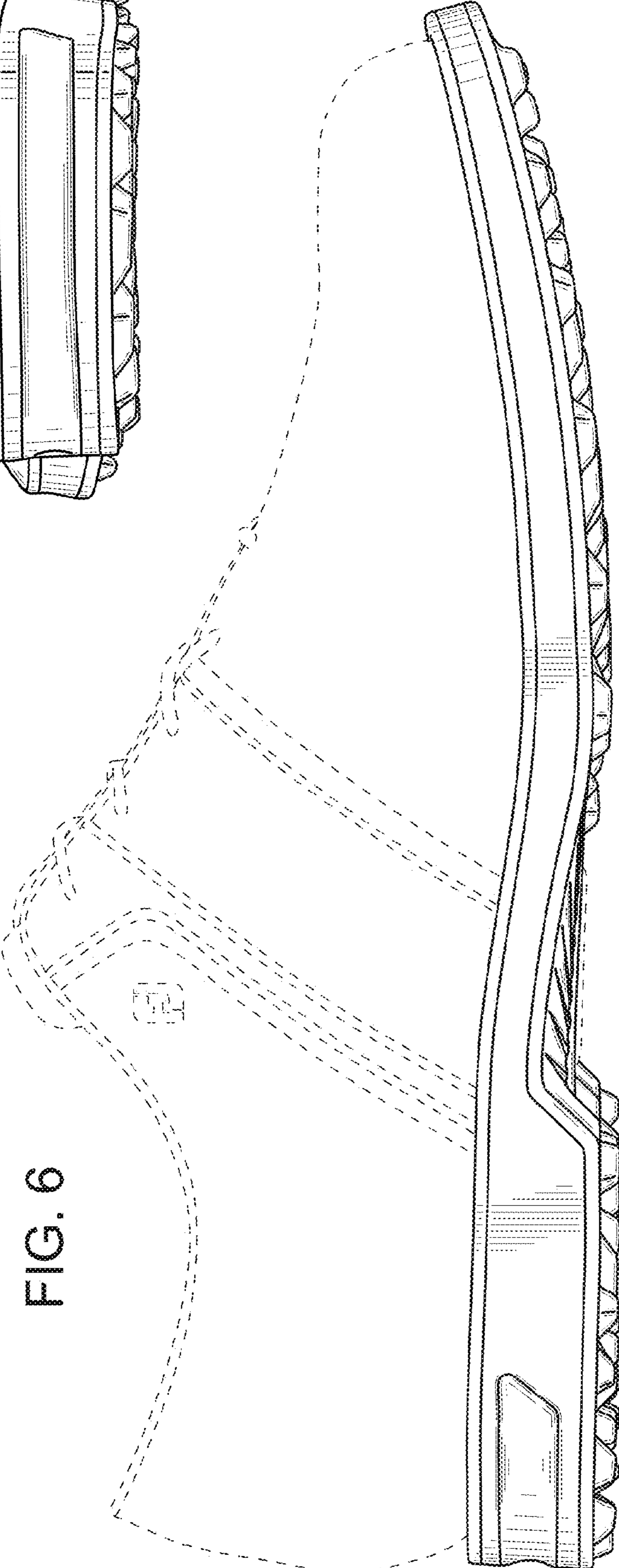


FIG. 6

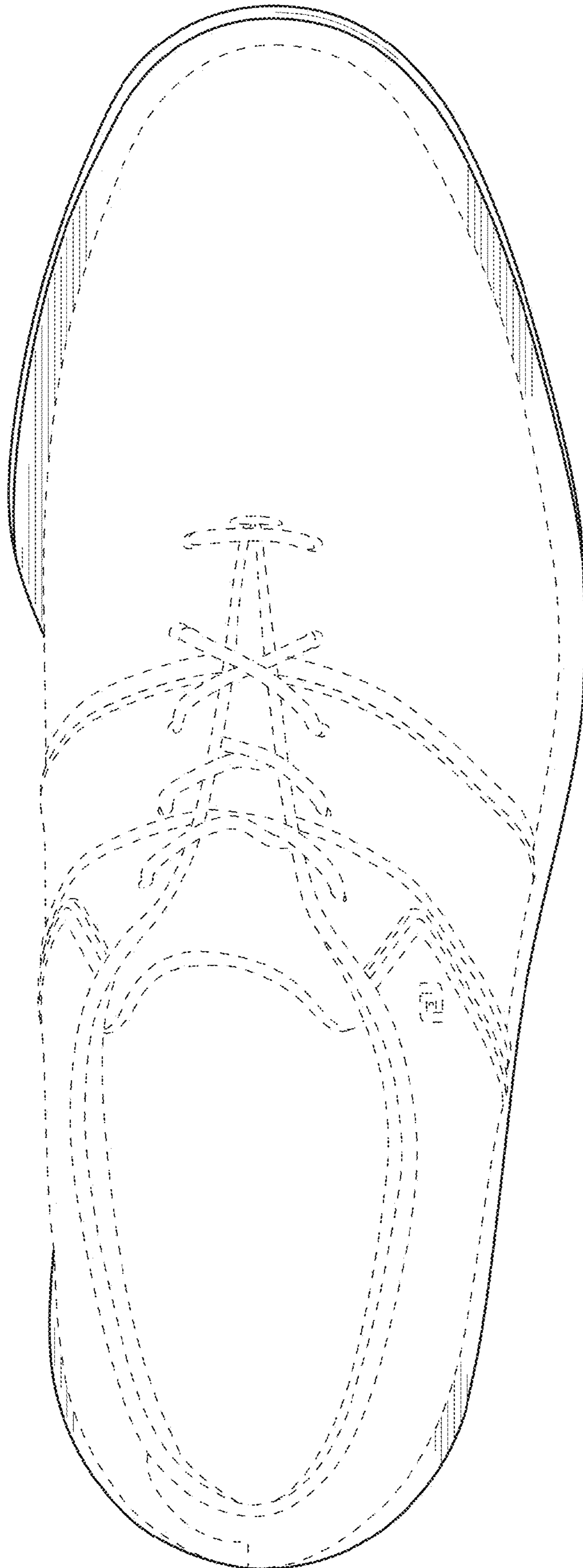


FIG. 7

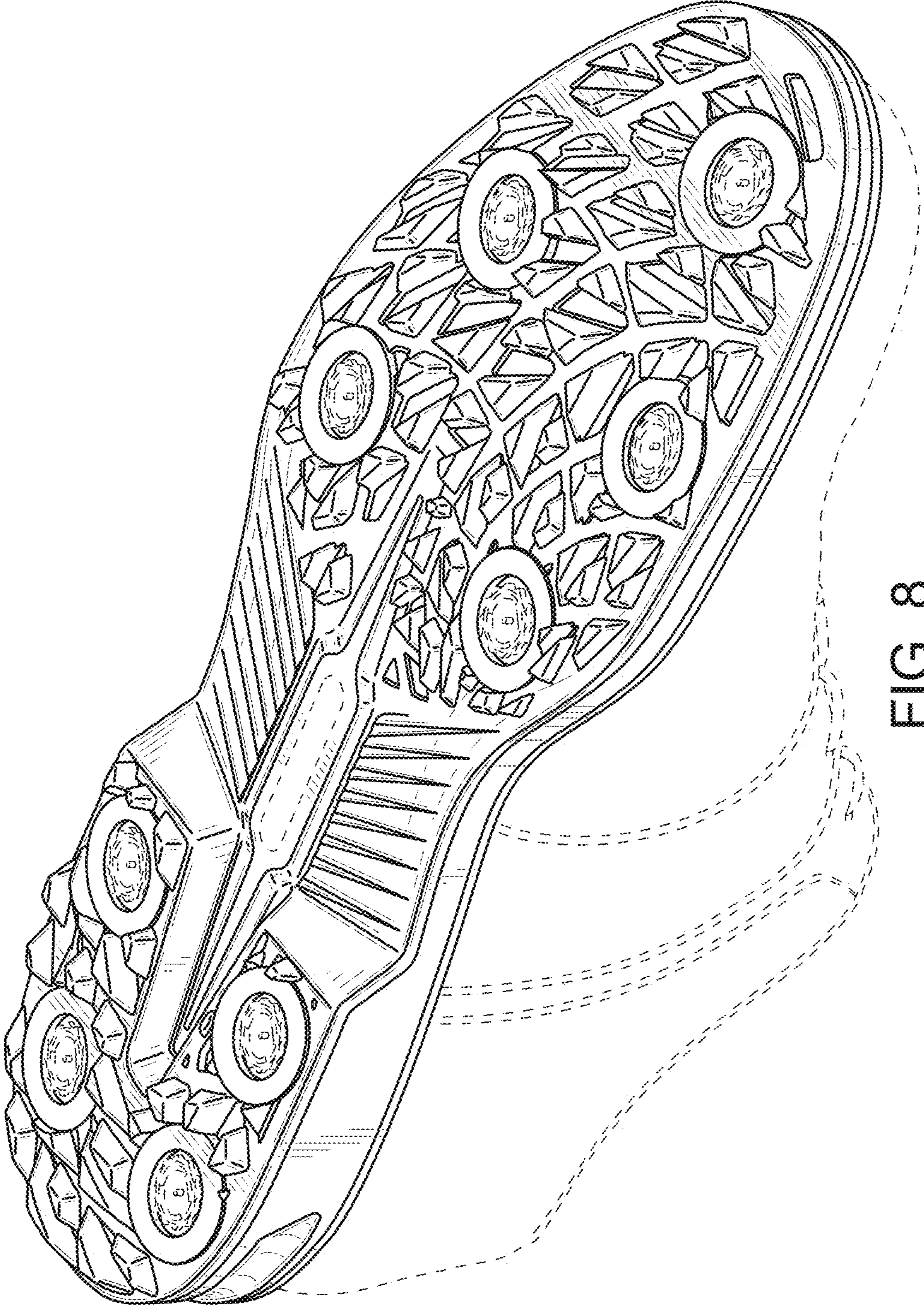


FIG. 8

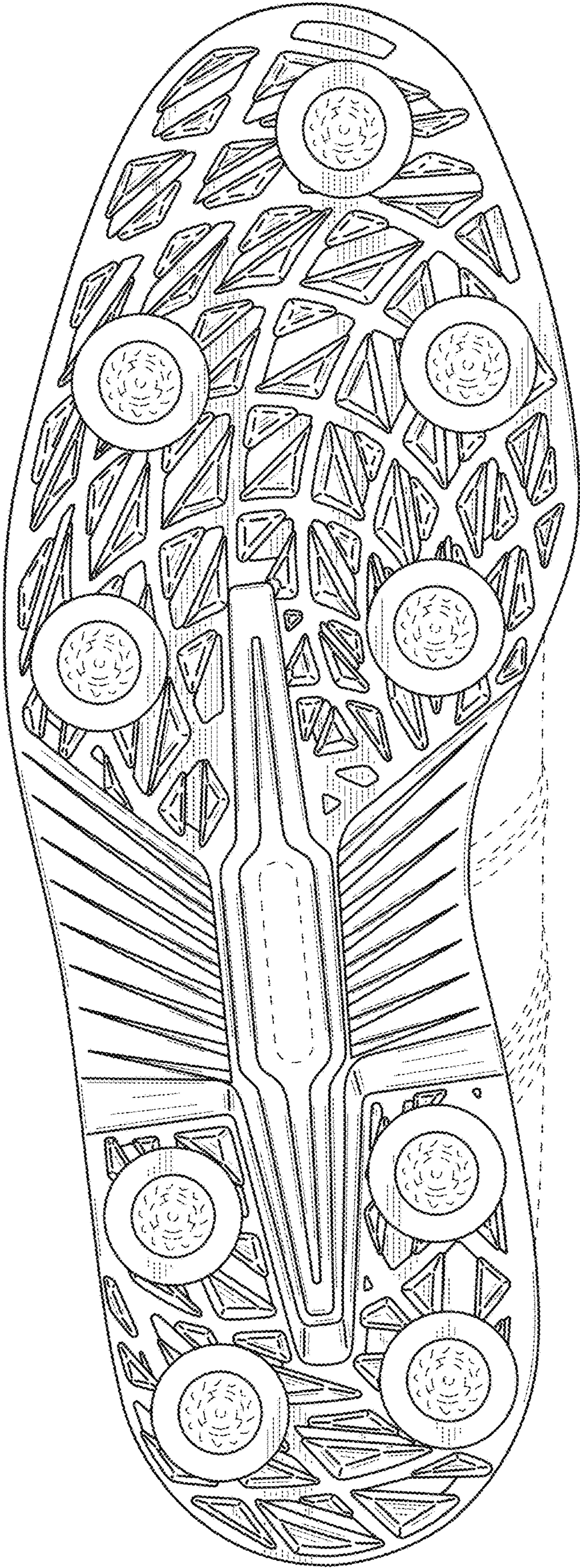


FIG. 9

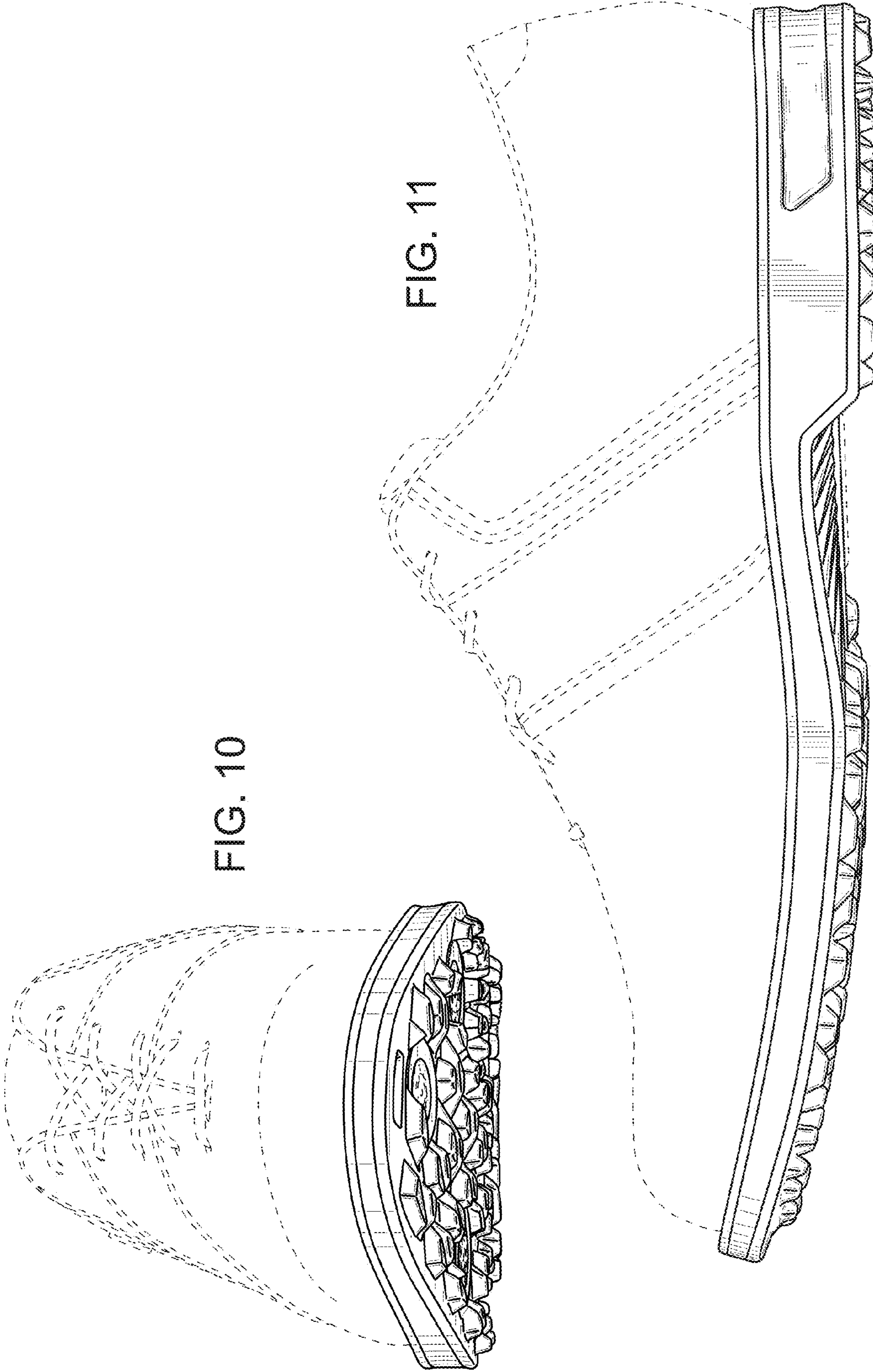


FIG. 10

FIG. 11

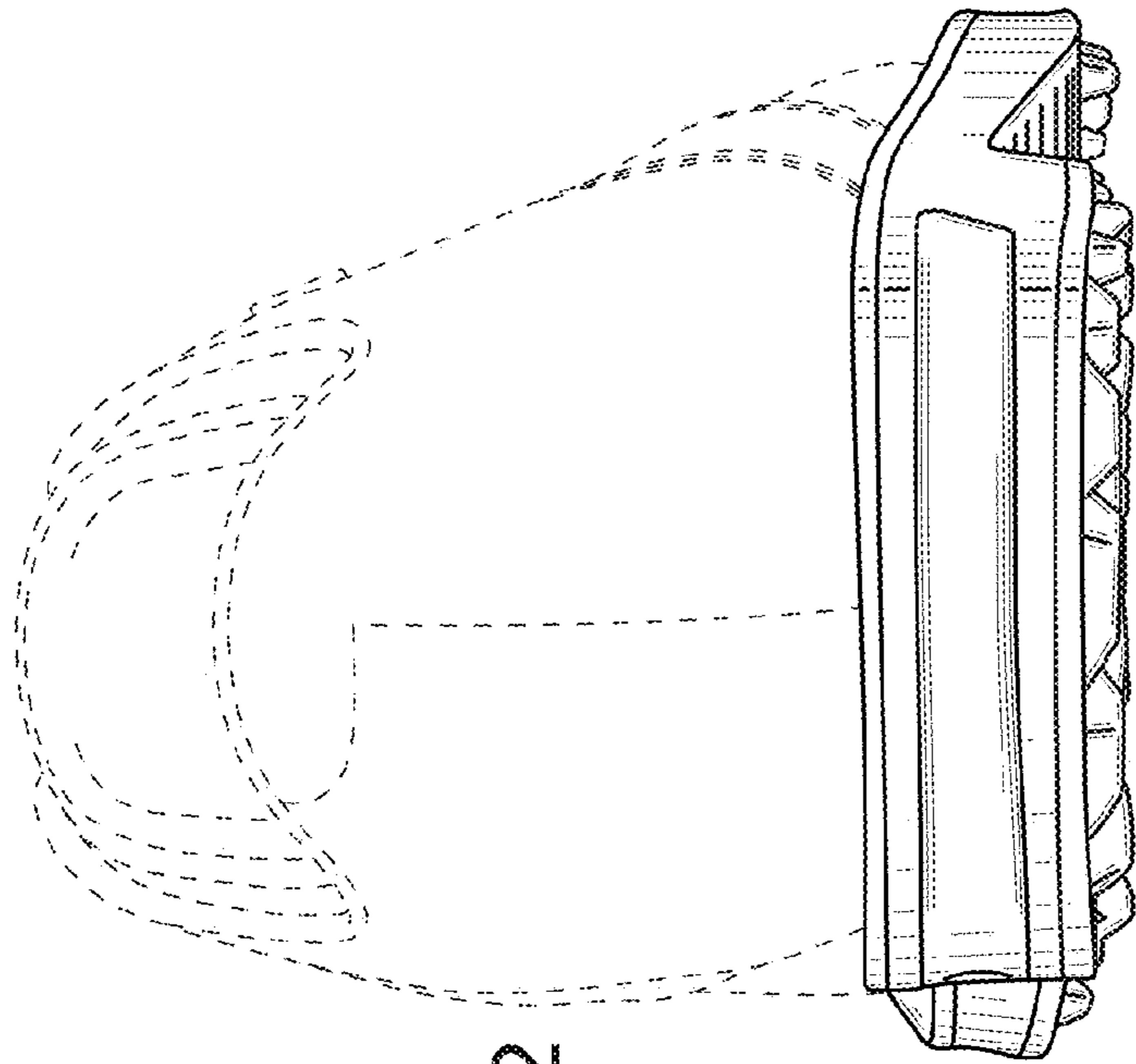


FIG. 12

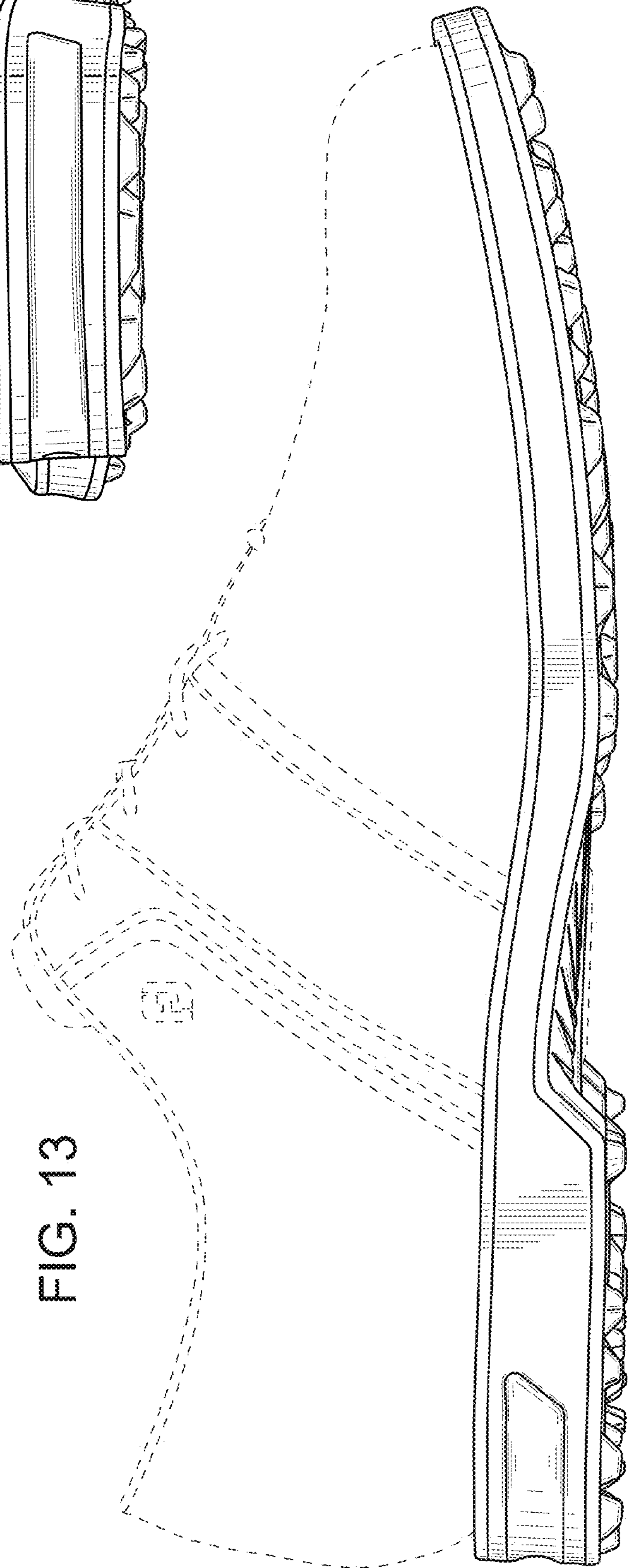


FIG. 13

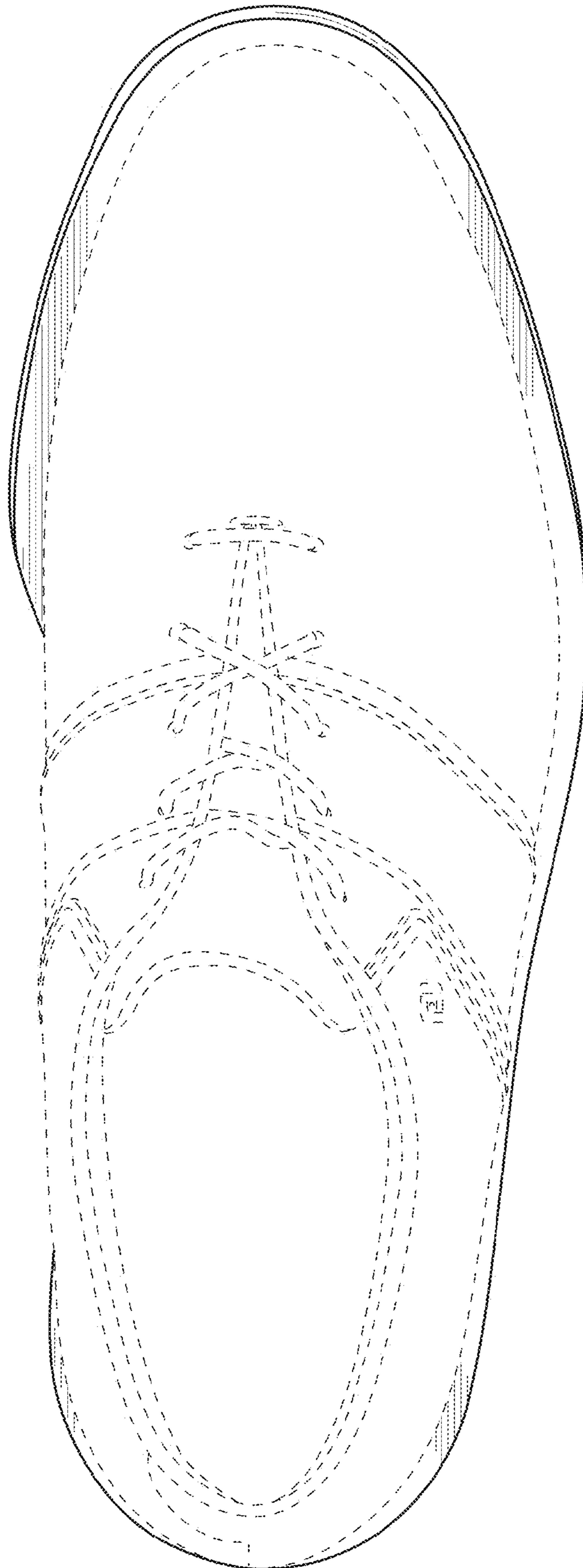


FIG. 14