



US00D954402S

(12) **United States Design Patent** (10) **Patent No.:** **US D954,402 S**
Eldridge et al. (45) **Date of Patent:** **** Jun. 14, 2022**

- (54) **ATTACHMENT FOR A CAP**
- (71) Applicant: **Snaps Ventures Inc.**, Jupiter, FL (US)
- (72) Inventors: **Matthew Ryan Eldridge**, Jupiter, FL (US); **Sydney Diane Bakich**, Jupiter, FL (US)
- (73) Assignee: **Snaps Ventures Inc.**, Jupiter, FL (US)
- (**) Term: **15 Years**
- (21) Appl. No.: **29/808,762**
- (22) Filed: **Sep. 22, 2021**

Related U.S. Application Data

- (63) Continuation of application No. 29/750,465, filed on Sep. 14, 2020, now Pat. No. Des. 931,579, which is a continuation of application No. 29/680,339, filed on Feb. 14, 2019, now Pat. No. Des. 895,937.
 - (51) **LOC (13) Cl.** **02-03**
 - (52) **U.S. Cl.**
USPC **D2/891**
 - (58) **Field of Classification Search**
USPC D2/865, 866, 867, 869, 870, 871, 872, D2/873, 874, 875, 876, 877, 878, 879, D2/880, 881, 882, 883, 884, 885, 886, D2/887, 888, 889, 890, 891, 892, 893, D2/894, 895, 639, 976; D6/315, 323, D6/325, 328; D8/38; D11/91, 200, 201, D11/204, 207, 214, 215, 222; D3/265; D19/65; D26/39; D29/110, 122, 129
CPC A42B 1/00; A42B 1/002; A42B 1/004; A42B 1/006; A42B 1/02; A42B 1/06; A42B 1/205; A42B 1/22; A42B 1/24; A42B 1/248; A42B 3/04; A42B 7/00; A44B 9/00; A44B 9/02; A44B 9/04; A44B 9/06; A45F 5/06
- See application file for complete search history.

- (56) **References Cited**
U.S. PATENT DOCUMENTS
5,165,190 A * 11/1992 Smyth A43B 3/0078
24/712.3
D412,937 S * 8/1999 Franklin D20/27
6,966,074 B2 * 11/2005 Huh A42B 3/14
2/181.4
7,861,322 B2 * 1/2011 Cho A44B 11/008
2/183
D638,964 S * 5/2011 Cappuccio D26/39
D895,261 S * 9/2020 Cureton D2/976
(Continued)

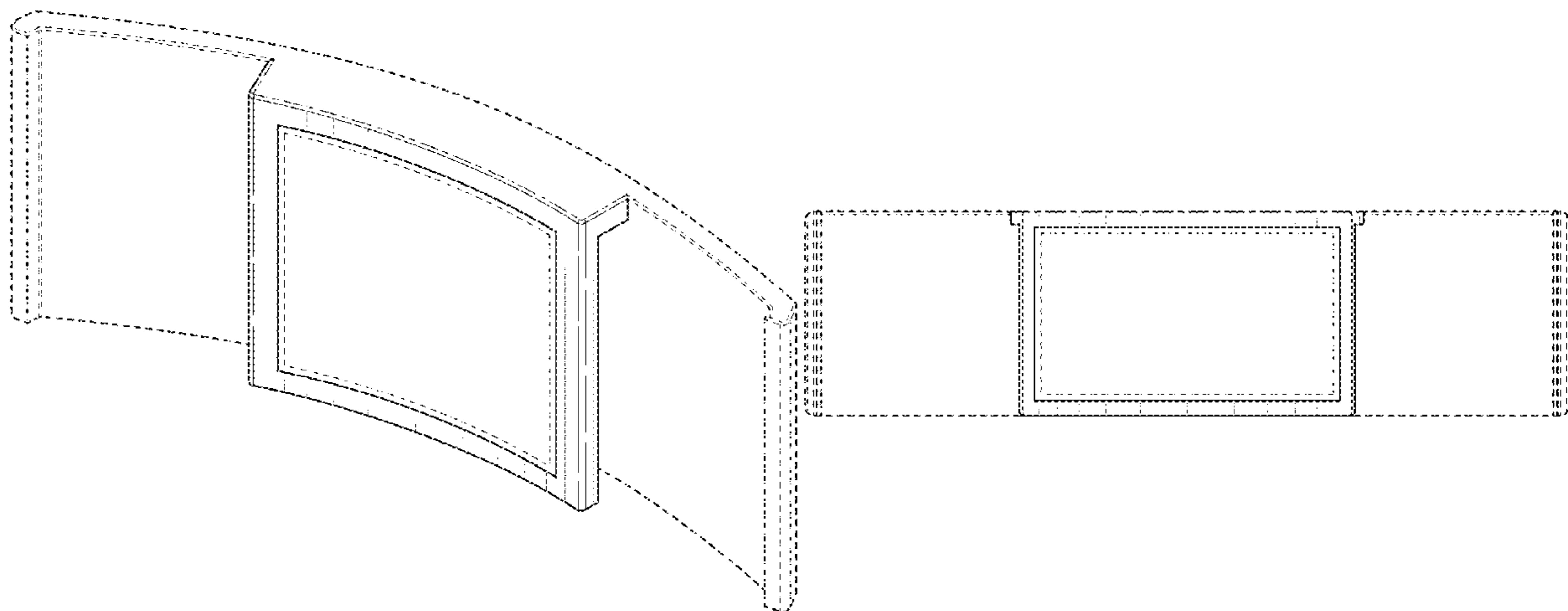
Primary Examiner — Jasmine Mlinarcik
(74) *Attorney, Agent, or Firm* — Wolf, Greenfield & Sacks, P.C.

- (57) **CLAIM**
The ornamental design for an attachment for a cap, as shown and described.

DESCRIPTION

FIG. 1 is a front perspective view of an attachment for a cap showing our new design;
FIG. 2 is a rear perspective view thereof;
FIG. 3 is a front elevation view thereof;
FIG. 4 is a rear elevation view thereof;
FIG. 5 is a left side elevation view thereof;
FIG. 6 is a right side elevation view thereof;
FIG. 7 is a top plan view thereof;
FIG. 8 is a bottom plan view thereof; and,
FIG. 9 is a front perspective view thereof shown in the environment of a cap.
The broken line outline of the cap in FIG. 9 depicts environmental structure of the attachment for a cap and forms no part of the claimed design. The dot-dash broken lines represent boundaries of the claimed design and form no part of the claimed design. All other broken lines in the drawings depict portions of the attachment for a cap that form no part of the claimed design.

1 Claim, 5 Drawing Sheets



(56)

References Cited

U.S. PATENT DOCUMENTS

D895,937 S * 9/2020 Eldridge D2/891
D895,938 S * 9/2020 Eldridge D2/891
10,952,486 B2 * 3/2021 Eldridge G09F 21/02
D919,939 S * 5/2021 Eldridge D2/891
D937,953 S * 12/2021 Eldridge D21/796
D937,957 S * 12/2021 Eldridge D21/796
2017/0027250 A1 * 2/2017 Paquette A42B 1/0188

* cited by examiner

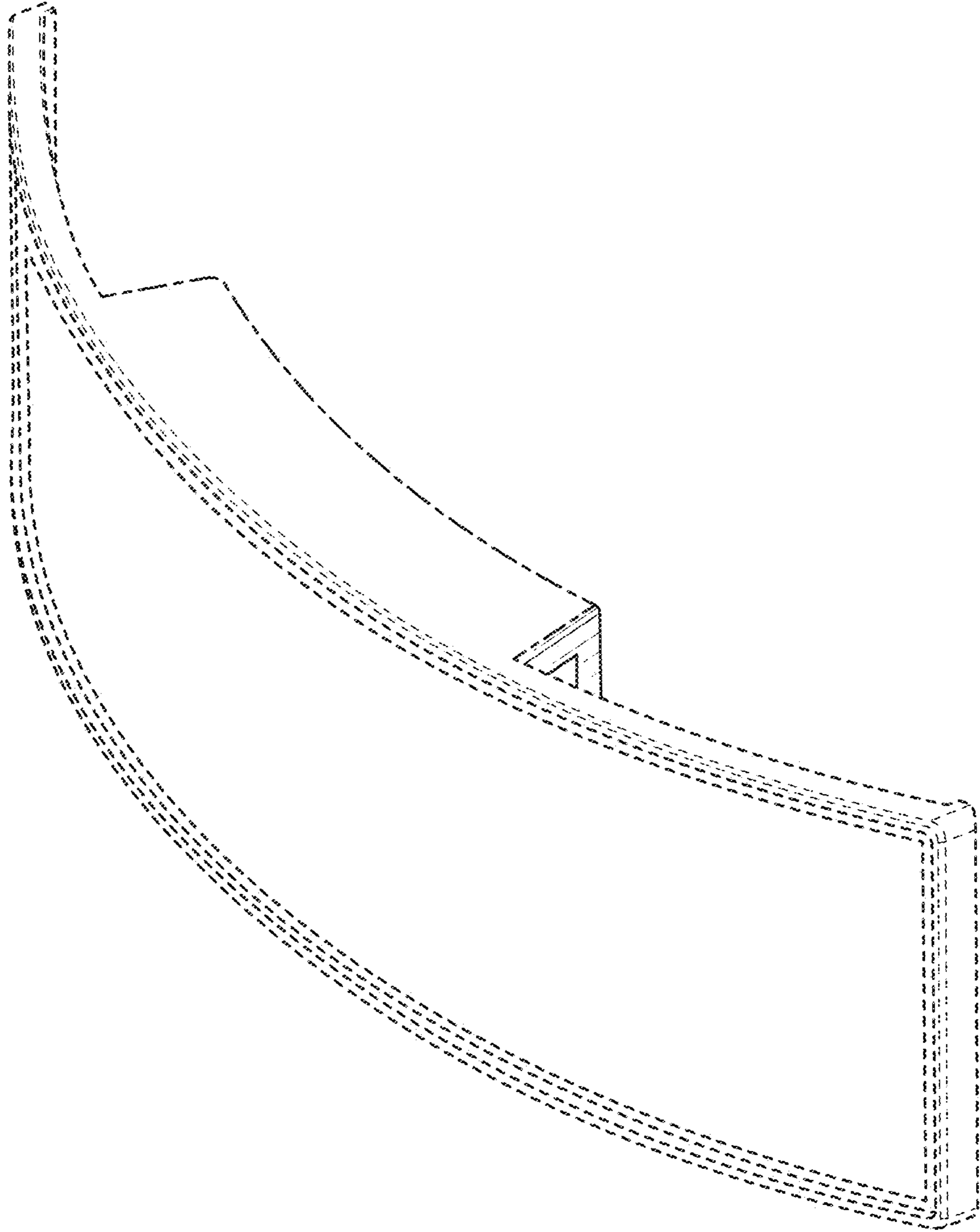


FIG. 1

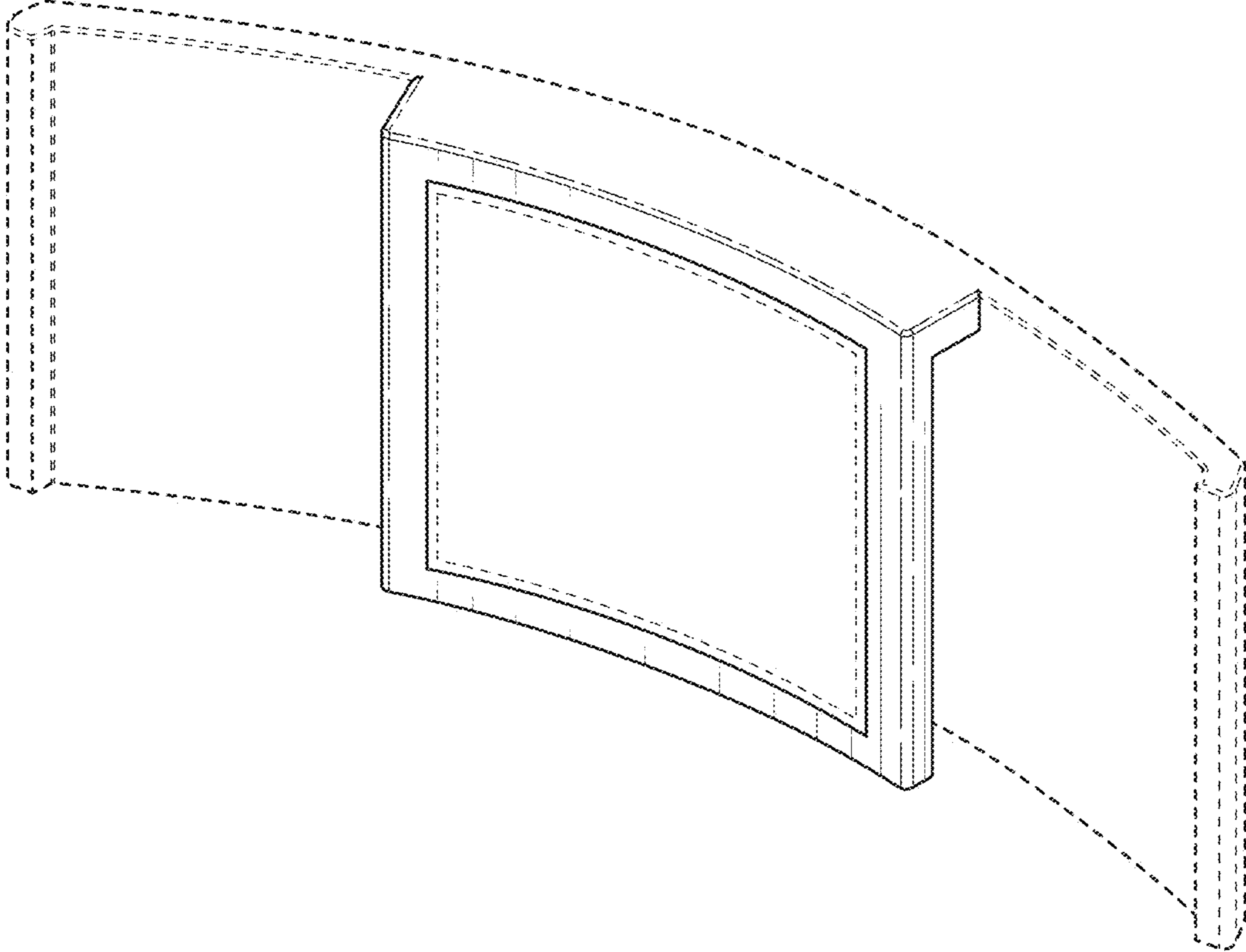


FIG. 2

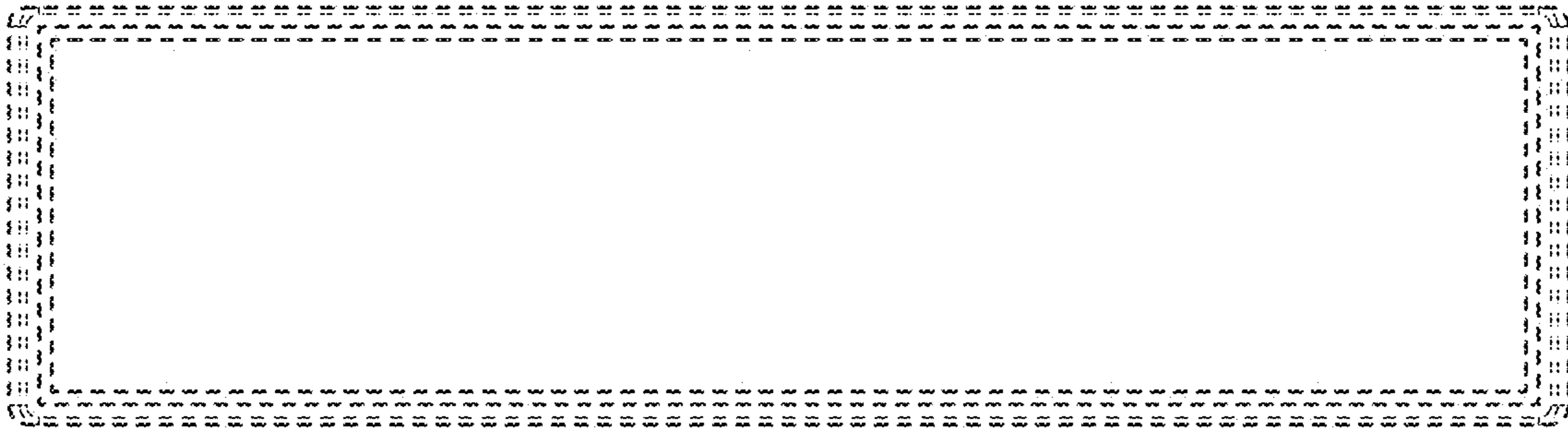


FIG. 3

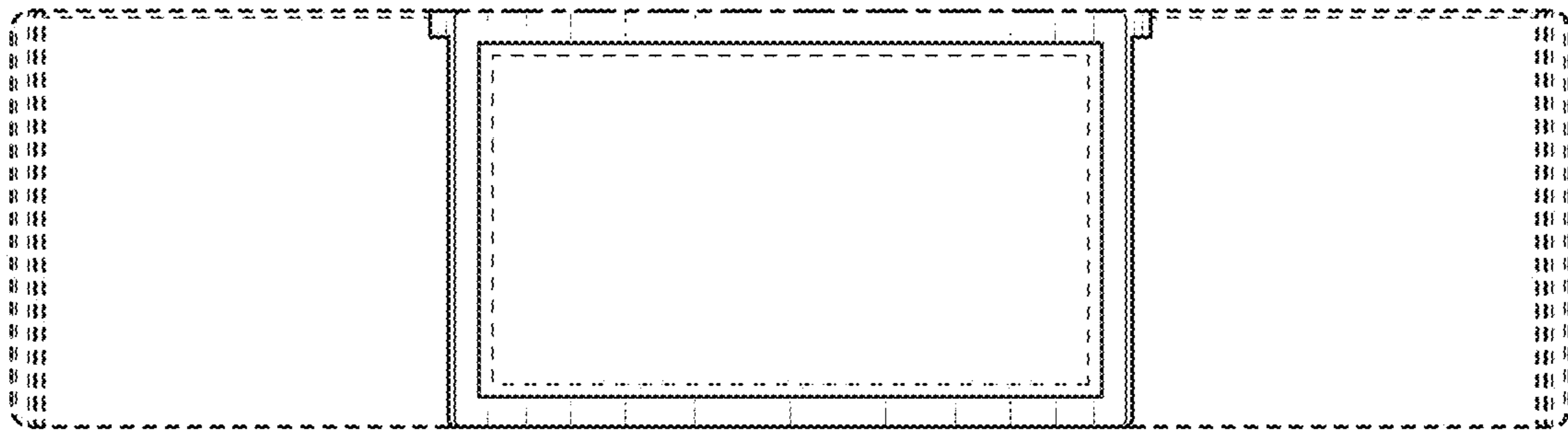


FIG. 4

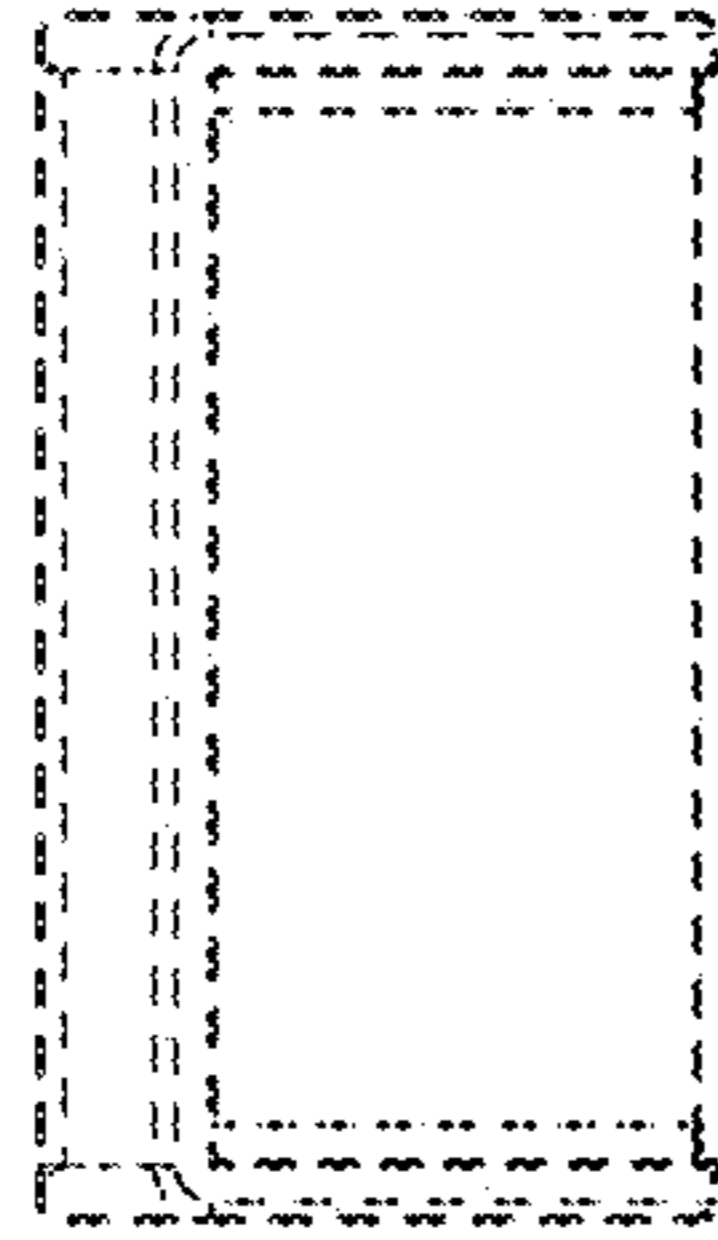


FIG. 5

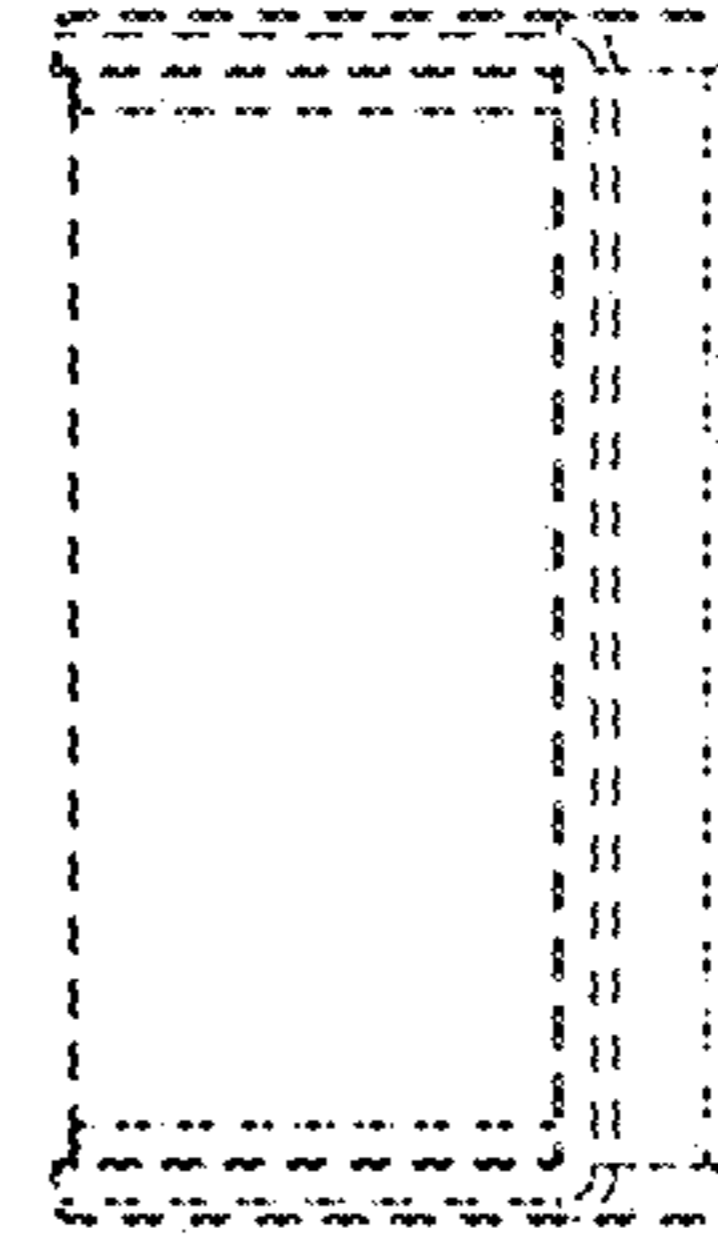


FIG. 6

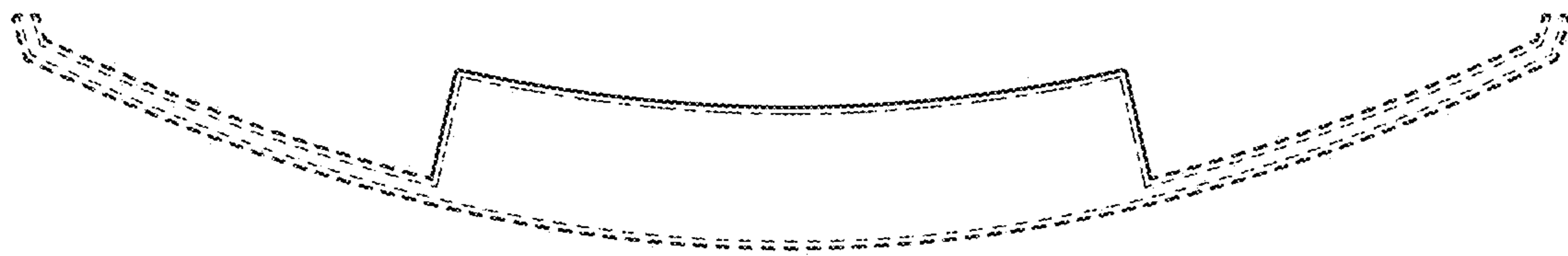


FIG. 7

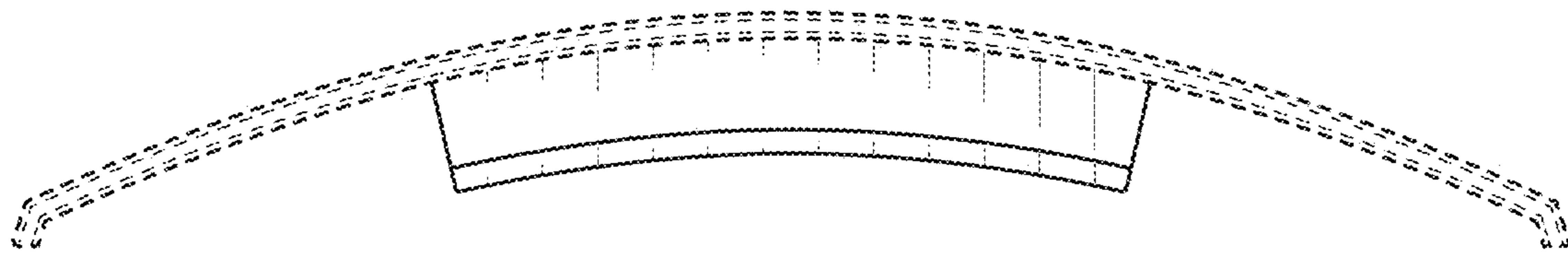


FIG. 8

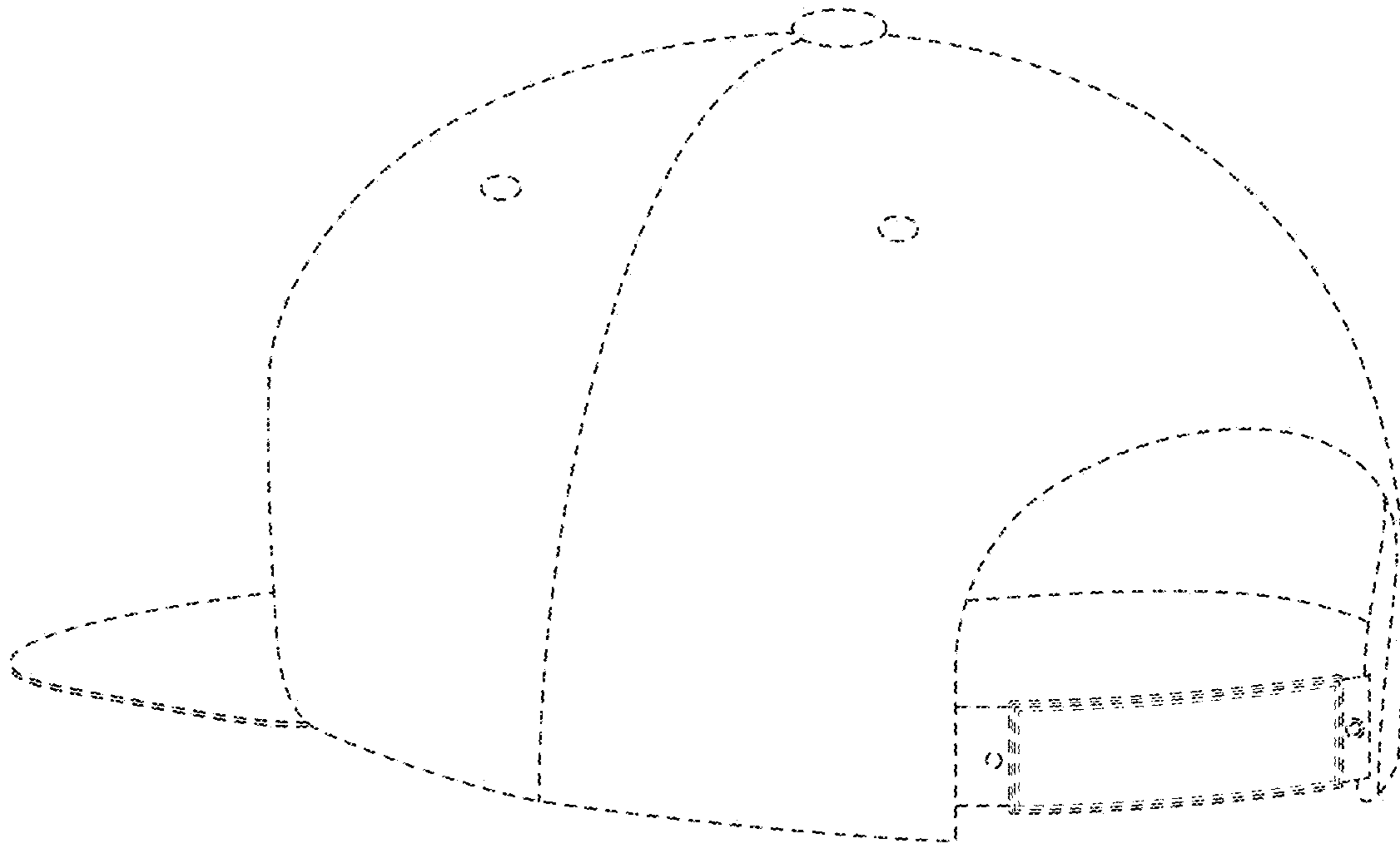


FIG. 9