



US00D954401S

(12) **United States Design Patent** (10) **Patent No.:** **US D954,401 S**
Eldridge et al. (45) **Date of Patent:** **** Jun. 14, 2022**

(54) **ATTACHMENT FOR A CAP**
(71) Applicant: **Snaps Ventures Inc.**, Jupiter, FL (US)
(72) Inventors: **Matthew Ryan Eldridge**, Jupiter, FL (US); **Sydney Diane Bakich**, Jupiter, FL (US)
(73) Assignee: **Snaps Ventures Inc.**, Jupiter, FL (US)
(**) Term: **15 Years**
(21) Appl. No.: **29/776,025**
(22) Filed: **Mar. 26, 2021**

Related U.S. Application Data

(60) Division of application No. 29/703,199, filed on Aug. 26, 2019, now Pat. No. Des. 917,841, which is a continuation of application No. 35/001,578, filed on Sep. 22, 2018 (U.S. filing date under 35 U.S.C. 384), and having an international filing date of Sep. 22, 2018, now abandoned.

(51) **LOC (13) Cl.** **02-03**

(52) **U.S. Cl.**
USPC **D2/891**

(58) **Field of Classification Search**

USPC D2/865, 866, 867, 869, 870, 871, 872, D2/873, 874, 875, 876, 877, 878, 879, D2/880, 881, 882, 883, 884, 885, 886, D2/887, 888, 889, 890, 891, 892, 893, D2/894, 895, 639, 976; D6/315, 323, D6/325, 328; D8/38; D11/91, 200, 201, D11/204, 207, 214, 215, 222; D3/265; D19/65; D26/39; D29/110, 122, 129
CPC A42B 1/00; A42B 1/002; A42B 1/004; A42B 1/006; A42B 1/02; A42B 1/06; A42B 1/205; A42B 1/22; A42B 1/24; A42B 1/248; A42B 3/04; A42B 7/00; A44B 9/00; A44B 9/02; A44B 9/04; A44B 9/06; A45F 5/06

See application file for complete search history.

(56) **References Cited**

U.S. PATENT DOCUMENTS

1,053,974 A 2/1913 Cohen
1,236,654 A 8/1917 Baltzley
2,181,446 A 11/1939 Ames
2,478,376 A 8/1949 De Swart

(Continued)

FOREIGN PATENT DOCUMENTS

DE 296 09 123 U1 8/1996
JP D1606101 S 6/2018

(Continued)

Primary Examiner — Jasmine Mlinarcik

(74) *Attorney, Agent, or Firm* — Wolf, Greenfield & Sacks, P.C.

(57) **CLAIM**

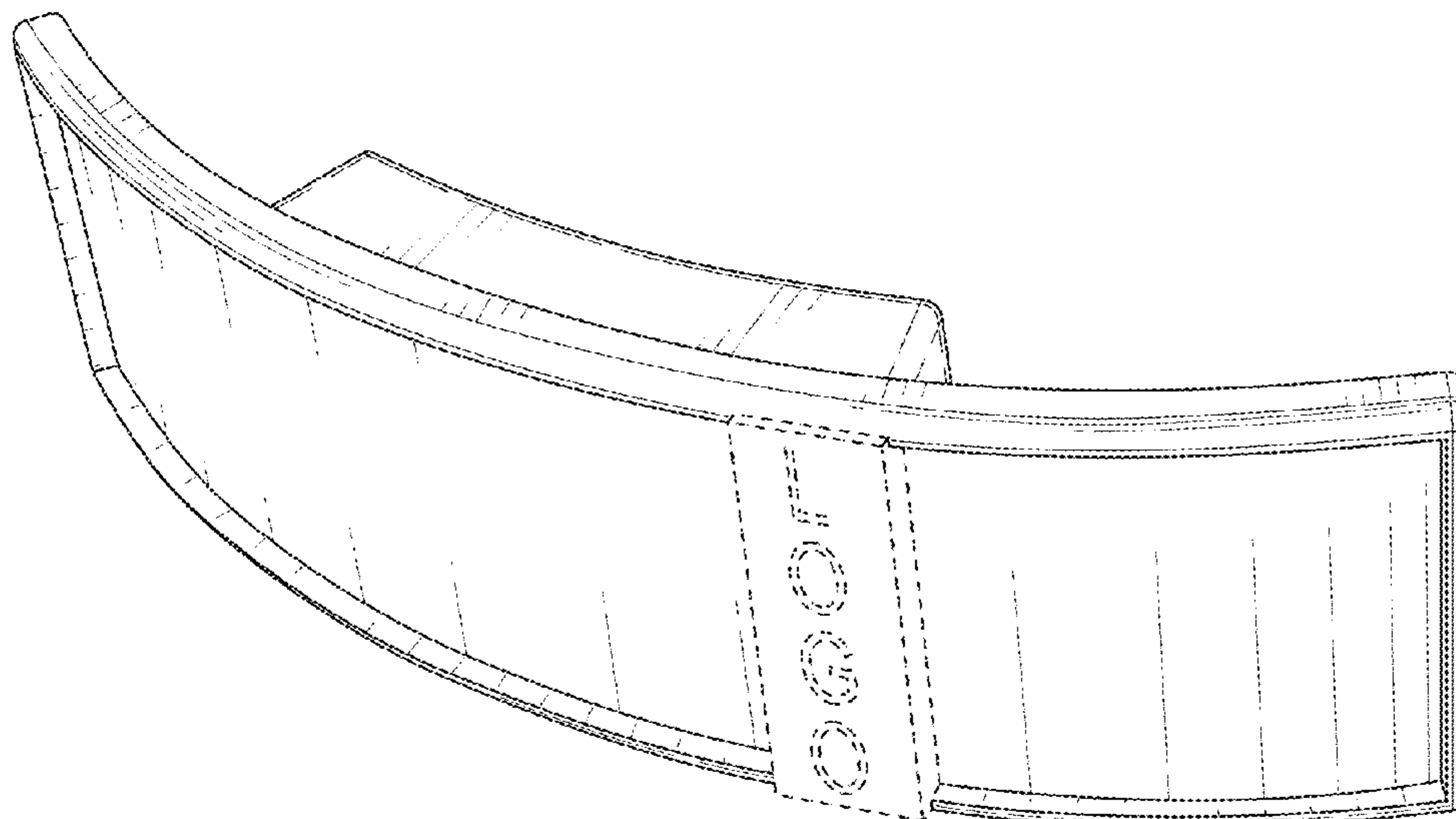
The ornamental design for an attachment for a cap, as shown and described.

DESCRIPTION

FIG. 1 is a top, front, and right side perspective view of an attachment for a cap according to our new design; FIG. 2 is a front elevation view thereof; FIG. 3 is a rear elevation view thereof; FIG. 4 is a top plan view thereof; FIG. 5 is a bottom plan view thereof; FIG. 6 is a left side elevation view thereof; FIG. 7 is a right side elevation view thereof; and, FIG. 8 is a top, front, left side perspective view showing the attachment attached to a cap.

The broken lines of the attachment for a cap depiction portions of the article that form no part of the claimed design. The cap shown in broken lines in FIG. 8 depicts environmental structure that forms no part of the claimed design.

1 Claim, 8 Drawing Sheets



(56)

References Cited

U.S. PATENT DOCUMENTS

2,737,220 A 3/1956 Hoff
 2,800,695 A 7/1957 Stegeman
 D254,845 S 4/1980 Young
 4,739,909 A * 4/1988 Bury A42B 1/002
 223/15
 4,776,043 A 10/1988 Coleman
 5,003,640 A 4/1991 Pizzacar
 D326,932 S 6/1992 Millar
 5,165,190 A 11/1992 Smyth
 D341,712 S 11/1993 Fulcher
 D343,372 S 1/1994 Ferré
 5,315,714 A 5/1994 Peters et al.
 5,418,981 A 5/1995 Miner
 5,428,844 A 7/1995 Dougherty
 5,499,402 A 3/1996 Rose
 5,519,892 A 5/1996 Pizzacar
 5,533,213 A 7/1996 Reiner et al.
 5,546,605 A 8/1996 Mallardi
 D373,454 S 9/1996 Ramirez
 D375,827 S 11/1996 Will
 5,600,855 A 2/1997 Ramirez
 5,632,047 A 5/1997 Van Den Heuvel
 5,687,425 A 11/1997 Blosser
 D407,537 S 4/1999 Simpson
 D412,937 S 8/1999 Franklin
 5,997,662 A 12/1999 Norio
 6,006,362 A 12/1999 Walsh
 6,021,525 A 2/2000 Mertins
 6,185,750 B1 2/2001 Dumas
 6,279,168 B1 8/2001 Bean
 6,484,322 B2 11/2002 Christian
 D486,862 S 2/2004 Coe
 6,729,058 B2 5/2004 Ferguson
 D492,351 S 6/2004 Sato et al.
 D497,858 S 11/2004 Fabian
 6,871,486 B2 3/2005 Moehnke et al.
 D574,614 S 8/2008 Sanders
 D579,194 S 10/2008 Caylor
 D591,934 S 5/2009 Gore
 D601,792 S 10/2009 Kennedy
 D605,381 S 12/2009 Mastrantonio et al.
 D613,638 S 4/2010 Jorst et al.
 D627,146 S 11/2010 Kantor et al.
 7,861,322 B2 1/2011 Cho
 D635,336 S 4/2011 Alger
 D637,106 S 5/2011 Babyak
 D638,964 S 5/2011 Cappuccio
 D645,211 S 9/2011 Hill
 D645,231 S 9/2011 Perry
 D667,212 S 9/2012 Reilly
 D677,193 S 3/2013 MacDonald
 D682,665 S 5/2013 Meyer
 8,573,773 B1 11/2013 Acosta
 D695,454 S 12/2013 Moore
 D703,722 S 4/2014 Kim et al.

D713,534 S * 9/2014 Manley, Jr. D24/189
 D724,479 S 3/2015 Cerrato
 D724,487 S 3/2015 Dighton et al.
 D729,502 S 5/2015 Aldridge
 D737,564 S 9/2015 Hamilton et al.
 9,198,483 B2 12/2015 Adams et al.
 D757,402 S 5/2016 White
 D757,403 S 5/2016 Skinner
 D761,001 S 7/2016 Kouns et al.
 D770,147 S 11/2016 Byrd
 D770,733 S 11/2016 Hwang
 D771,914 S 11/2016 Cho
 D774,283 S 12/2016 Rollins
 D778,767 S 2/2017 Nicolas
 D793,675 S 8/2017 Gates
 D801,644 S 11/2017 Zenoff
 D838,941 S 1/2019 Leatherman
 D857,795 S * 8/2019 Fabrizi D19/99
 D863,441 S 10/2019 Hwang et al.
 D865,334 S 11/2019 Kang
 D891,076 S 7/2020 Reilly
 D892,474 S 8/2020 Jackson
 D895,261 S 9/2020 Cureton
 D895,937 S * 9/2020 Eldridge D2/891
 D895,938 S * 9/2020 Eldridge D2/891
 D905,382 S 12/2020 Jackson
 10,952,486 B2 * 3/2021 Eldridge G09F 21/02
 D917,841 S 5/2021 Eldridge et al.
 D919,938 S 5/2021 Eldridge et al.
 D919,939 S * 5/2021 Eldridge D2/891
 11,029,016 B2 * 6/2021 Bryant F21K 9/235
 D931,579 S 9/2021 Eldridge et al.
 D937,953 S * 12/2021 Eldridge D21/796
 D937,957 S * 12/2021 Eldridge D21/796
 2002/0042941 A1 4/2002 Grundy
 2002/0108165 A1 8/2002 Porter et al.
 2004/0064871 A1 4/2004 Schlapkohl
 2005/0138719 A1 * 6/2005 Huh A42B 3/14
 2/416
 2005/0177925 A1 8/2005 Peeples
 2008/0104801 A1 5/2008 Yeh
 2008/0109940 A1 5/2008 Van den Heuvel et al.
 2008/0134414 A1 * 6/2008 Cho A44B 11/008
 2/183
 2013/0111650 A1 5/2013 Hong
 2017/0027250 A1 2/2017 Paquette
 2019/0142096 A1 5/2019 Skinner
 2019/0313724 A1 10/2019 Jackson
 2020/0046153 A1 * 2/2020 Fotino A47G 25/10
 2020/0146383 A1 5/2020 Eldridge et al.
 2021/0106088 A1 4/2021 Eldridge et al.

FOREIGN PATENT DOCUMENTS

WO DM/093473 4/2017
 WO DM/099239 1/2018
 WO 2018/217186 A1 11/2018

* cited by examiner

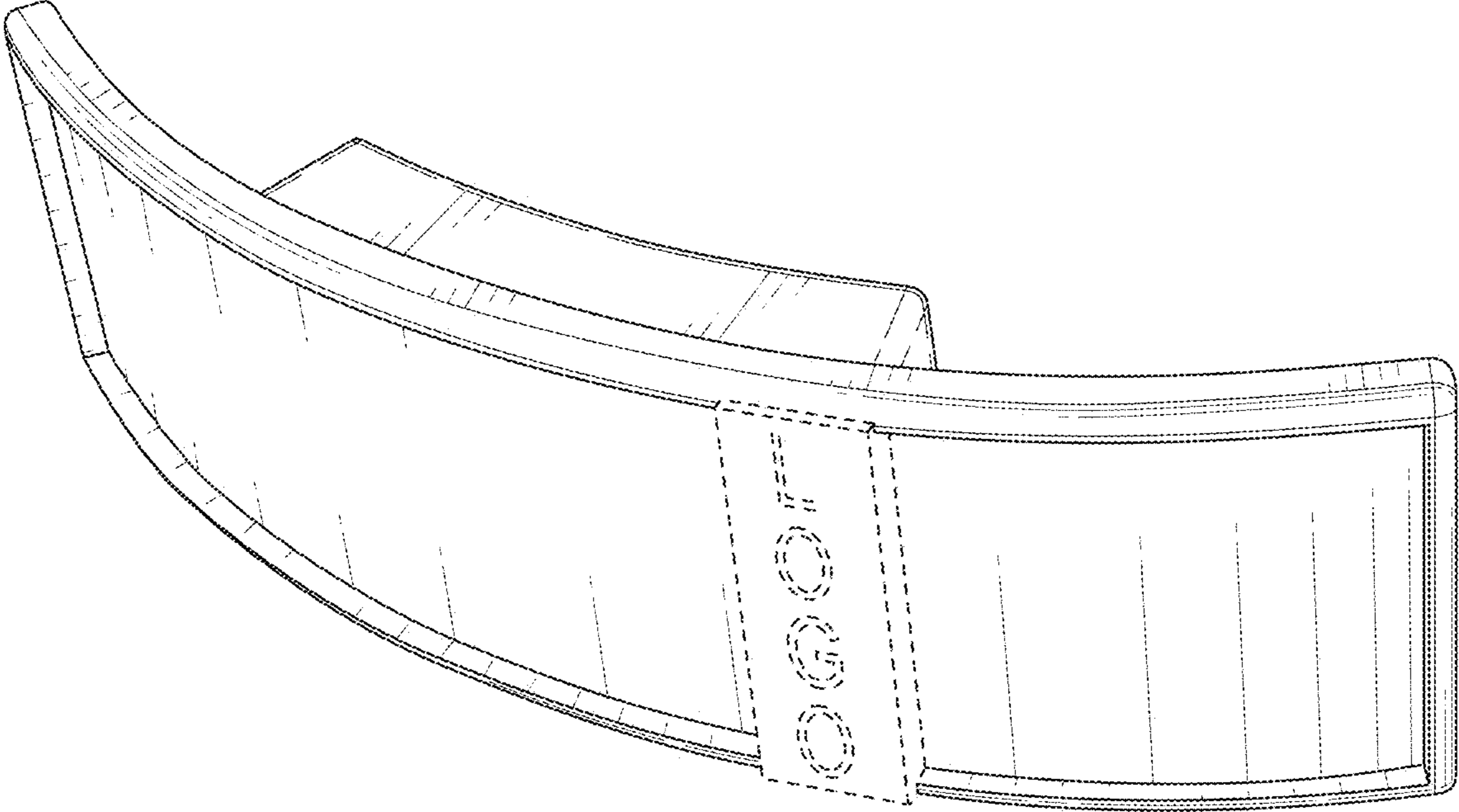


FIG. 1

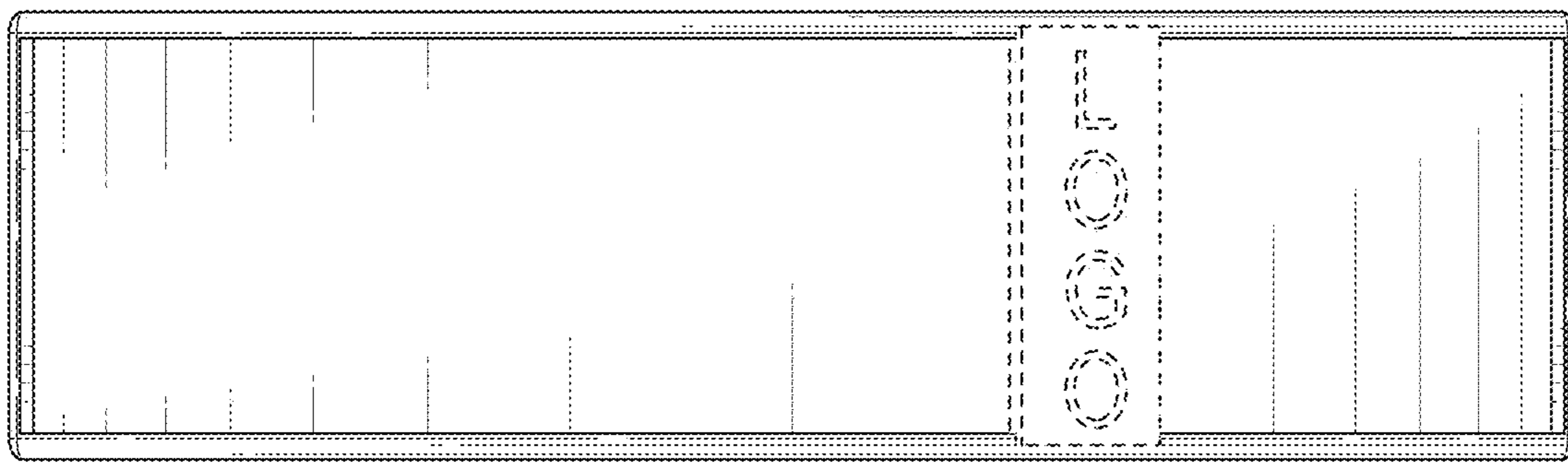


FIG. 2

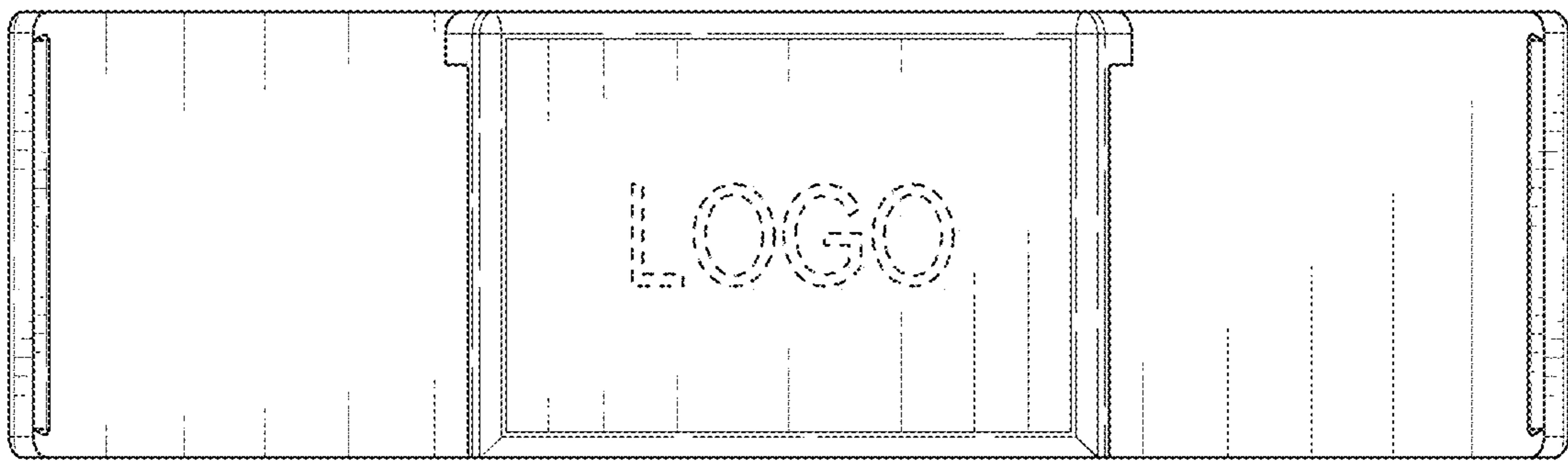


FIG. 3

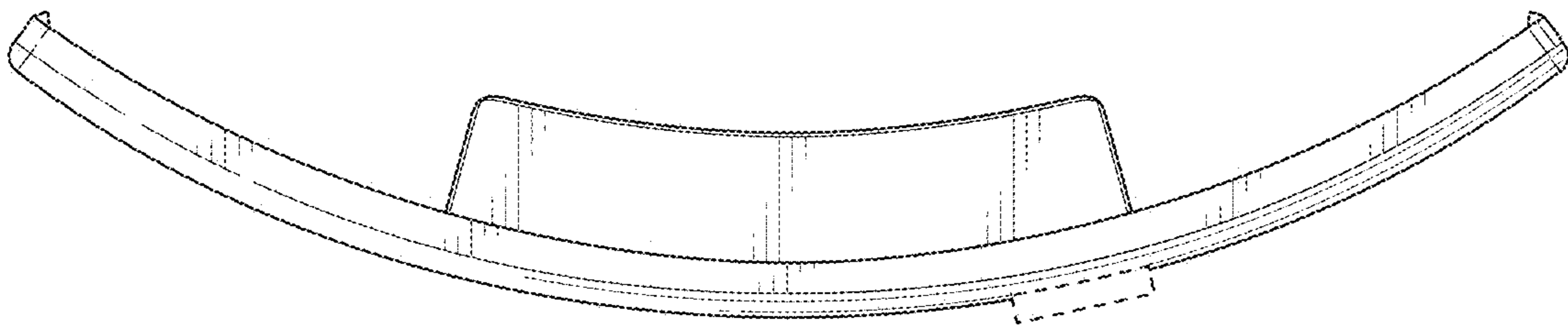


FIG. 4

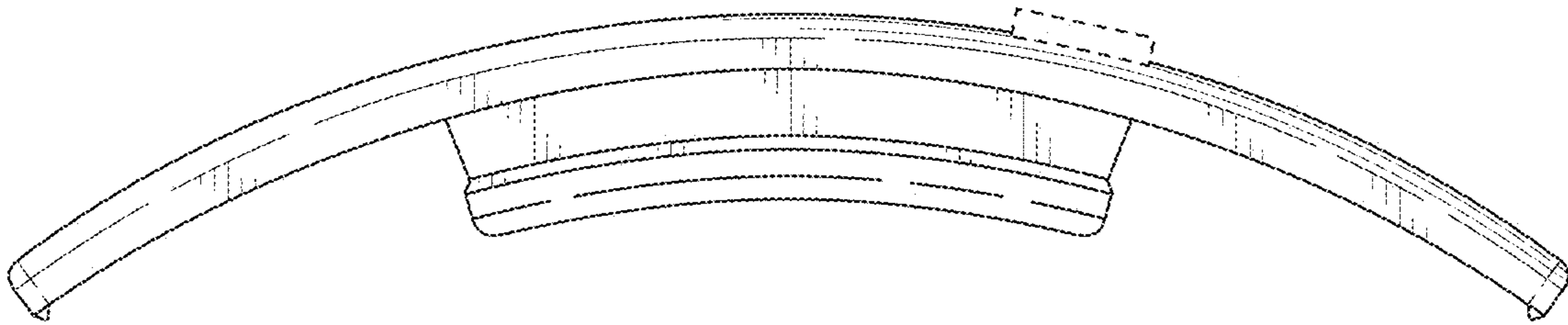


FIG. 5

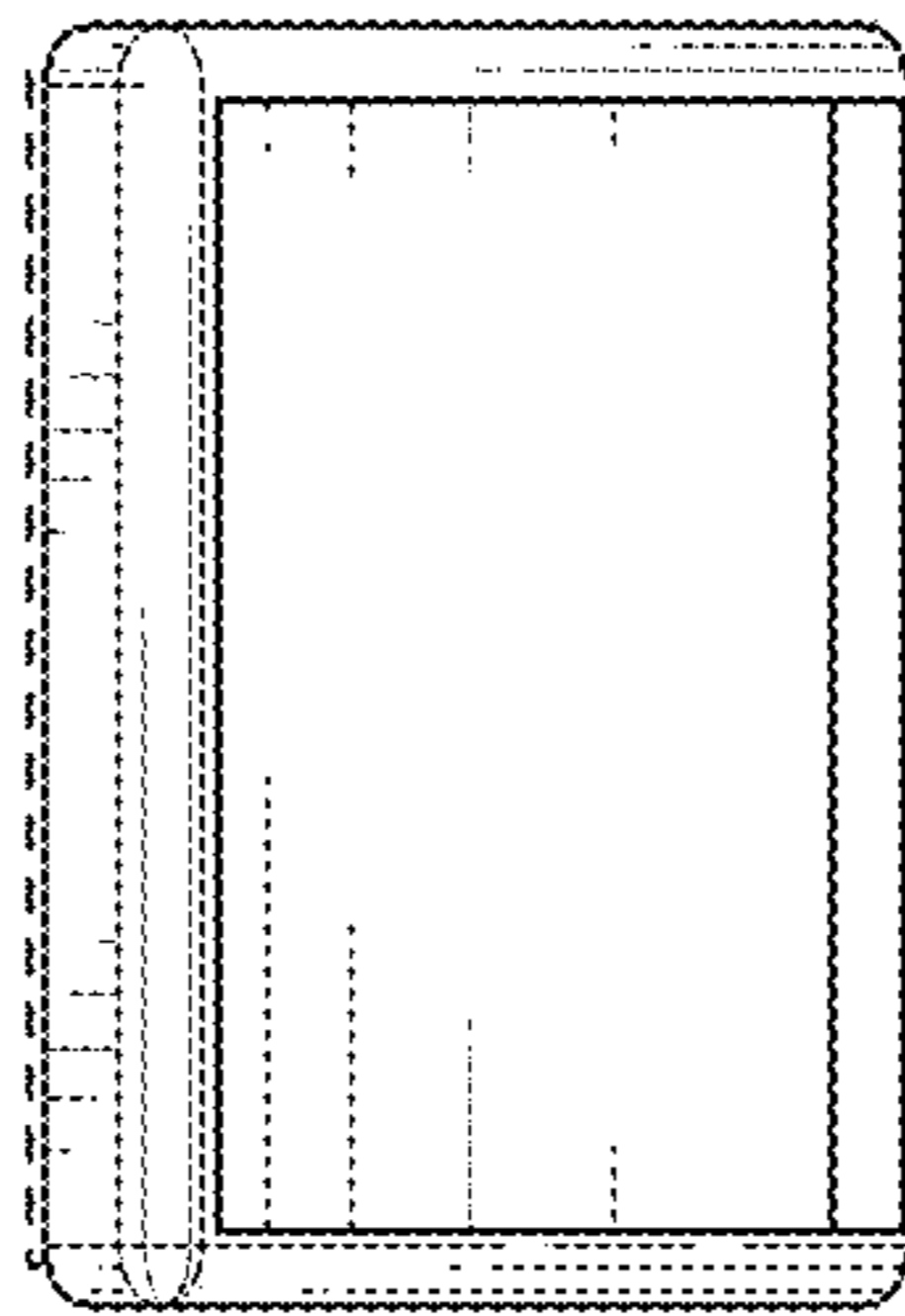


FIG. 6

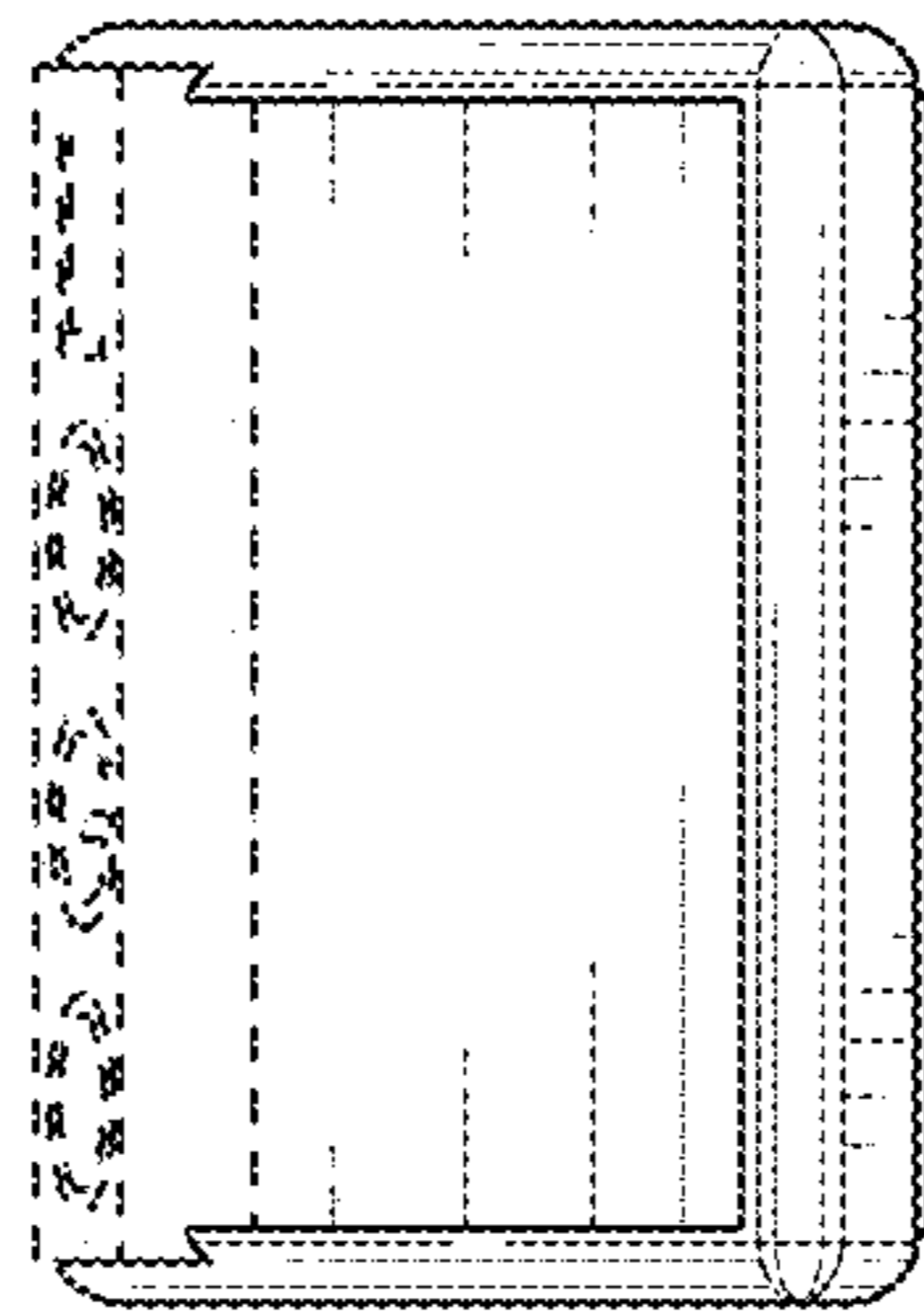


FIG. 7

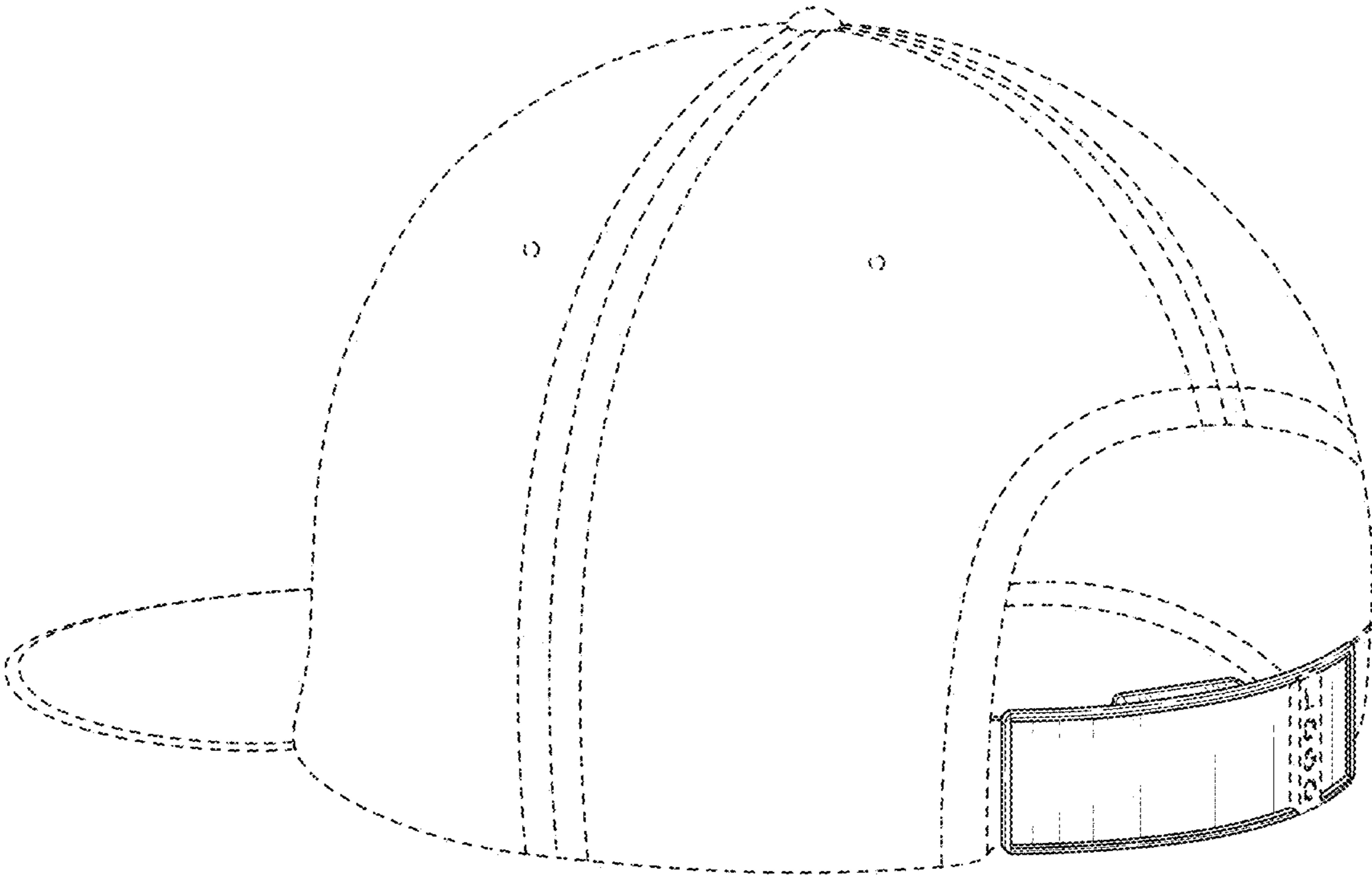


FIG. 8