



US00D954400S

(12) **United States Design Patent**
Lacy et al.

(10) **Patent No.:** **US D954,400 S**
(45) **Date of Patent:** **** Jun. 14, 2022**

(54) **HAT**

(71) Applicant: **SUNDAY AFTERNOONS, INC.**,
Talent, OR (US)

(72) Inventors: **Robbin Lacy**, Talent, OR (US); **Acacia Lacy**, Ashland, OR (US); **Russell Hodgdon**, Talent, OR (US)

(73) Assignee: **SUNDAY AFTERNOONS, INC.**,
Talent, OR (US)

(**) Term: **15 Years**

(21) Appl. No.: **29/744,901**

(22) Filed: **Jul. 31, 2020**

Related U.S. Application Data

(60) Continuation of application No. 29/559,579, filed on Mar. 30, 2016, now Pat. No. Des. 818,698, which is
(Continued)

(51) **LOC (13) Cl.** **02-03**

(52) **U.S. Cl.**
USPC **D2/879**

(58) **Field of Classification Search**
USPC D2/865, 866, 872, 873, 874, 876, 879,
D2/880, 882, 883, 884, 885, 886, 887,
D2/891, 893, 895; D29/109
(Continued)

(56) **References Cited**

U.S. PATENT DOCUMENTS

5,657,490 A 8/1997 Edmark
D390,340 S 2/1998 Najim
(Continued)

FOREIGN PATENT DOCUMENTS

EM 003090653-0001 A1 8/2016
EM 003090653-0002 A1 8/2016
(Continued)

OTHER PUBLICATIONS

Phillips, M., "The Wrong Sun Hat Can Leave Heads Fit to Be Fried," PRWeb Press Release, Available Online at http://www.prweb.com/releases/sungrubbies_sunprotection/sun_protective_hats/prweb9721926.htm, Jul. 24, 2012, 4 pages.

(Continued)

Primary Examiner — Jasmine Mlinarcik

(74) *Attorney, Agent, or Firm* — McCoy Russell LLP

(57) **CLAIM**

The ornamental design for a hat, as shown and described.

DESCRIPTION

FIG. 1 is a front view of a design for a hat according to the present invention, including two side crown panels.

FIG. 2 is a left side view of the hat, including a first one of the side crown panels, and a first rear side crown panel represented by a repeating pattern of dots.

FIG. 3 is a right side view of the hat, including a second one of the side crown panels and a second rear side crown panel.

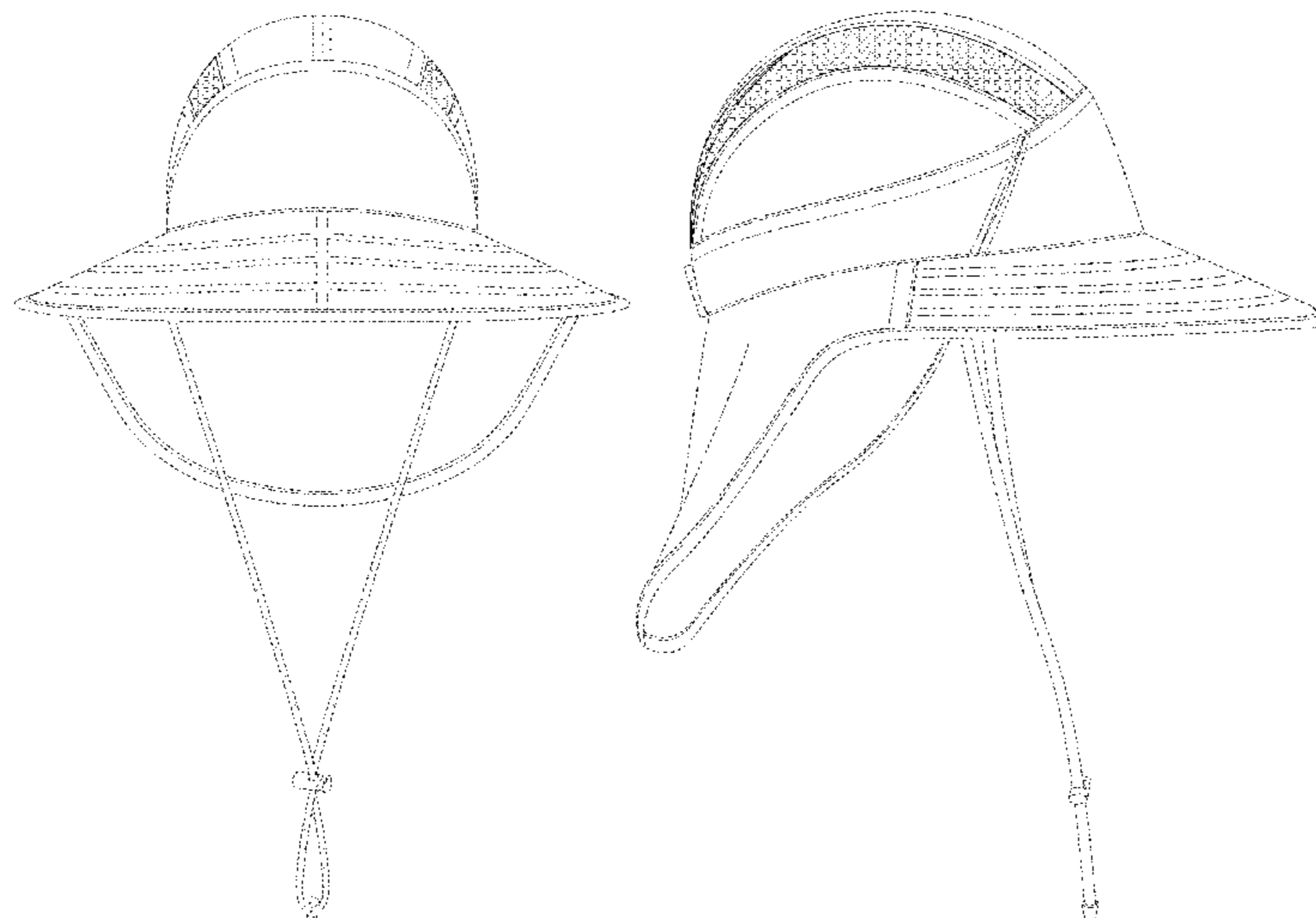
FIG. 4 is a back view of the hat, including the two side crown panels and the two rear side crown panels.

FIG. 5 is a top view of the hat, including the two side crown panels and the two rear side crown panels; and,

FIG. 6 is an interior view of the hat.

The solid lines in FIGS. 1-6 illustrate a hat according to the present invention. The broken lines represent environmental structure only and form no part of the claimed design. The dash-and-dot style broken lines on the brim of the hat illustrate brim stitching that forms no part of the claimed design. Patterned shading shown on the hat crown is included in FIGS. 1-5 to show contrasting materials of the hat, where repeating patterns of offset rows of rounded shapes shown in FIGS. 1-5 and dot stippling shown in FIGS. 2-5 each indicate contrast in material, namely material appearance, relative to each other, and no claim is made to any specific pattern of the patterned shading shown in FIGS. 1-5. No claim is made to any of the features of the interior of the hat, as shown in FIG. 6.

1 Claim, 6 Drawing Sheets



Related U.S. Application Data

a division of application No. 29/543,851, filed on Oct. 28, 2015, now Pat. No. Des. 827,990.

(58) **Field of Classification Search**

CPC .. A42B 1/00; A42B 1/008; A42B 1/02; A42B 1/06; A42B 1/20; A42B 1/201; A42B 1/205; A42B 1/22; A42B 1/018; A42B 1/0186; A42B 1/0187

See application file for complete search history.

(56) **References Cited**

U.S. PATENT DOCUMENTS

D399,992 S	10/1998	Edmark	
D404,846 S *	1/1999	Day	D29/106
5,950,241 A *	9/1999	Gomez	A42B 1/201 2/172
D429,406 S	8/2000	Thaw	
6,484,323 B1	11/2002	Pu	
D478,409 S	8/2003	Lesley	
D532,185 S	11/2006	St-Germain	
D593,732 S	6/2009	Tilley et al.	
D594,185 S	6/2009	Lacy	
D599,533 S	9/2009	Yun	
D617,083 S	6/2010	Yun	
D619,788 S	7/2010	Lacy	
D625,081 S	10/2010	Oates	
D681,926 S	5/2013	Votel et al.	
D714,528 S	10/2014	Bartelt	
D721,874 S	2/2015	Robbins et al.	
D732,243 S	6/2015	Votel et al.	
D750,355 S	3/2016	Watkins	
D764,150 S *	8/2016	Lacy	D2/882

D768,361 S	10/2016	Watkins	
D785,911 S	5/2017	Arenson et al.	
D787,786 S *	5/2017	Lacy	D2/882
9,655,396 B1	5/2017	Lacy	
D794,283 S *	8/2017	Lacy	D2/882
D826,521 S	8/2018	Foster	
D827,990 S	9/2018	Lacy et al.	
10,098,398 B2 *	10/2018	Lacy	A42B 1/201
D837,491 S *	1/2019	Lacy	D2/882
D841,944 S	3/2019	Lacy et al.	
D843,087 S	3/2019	Foster	
D847,472 S	5/2019	Foster	
D910,282 S *	2/2021	Ortega	D2/879
D912,945 S *	3/2021	Lacy	D2/879
2005/0155135 A1	6/2005	Cho	
2006/0048272 A1	3/2006	Tison	
2006/0168709 A1	8/2006	Rattay	
2014/0053316 A1	2/2014	Su	
2021/0361015 A1 *	11/2021	Kountz	A42B 1/18

FOREIGN PATENT DOCUMENTS

EM	003090653-0003	A1	8/2016
EM	003090653-0004	A1	8/2016

OTHER PUBLICATIONS

“DermaSafe Hat,” YouTube Website, Available Online at <https://www.youtube.com/watch?v=Y9mHFIdY1fE>, Feb. 9, 2016, 8 pages.
 “Sundancer Hat,” YouTube Website, Available Online at <https://www.youtube.com/watch?v=fwGYq7B9Ue4>, Feb. 9, 2016, 6 pages.
 “Wahoo Cap—Sunday Afternoons,” Sunday Afternoons Website, Available Online at <https://www.sundayafternoons.com/p/wahoo-cap/>, Available as Early as Feb. 16, 2017, 4 pages.

* cited by examiner

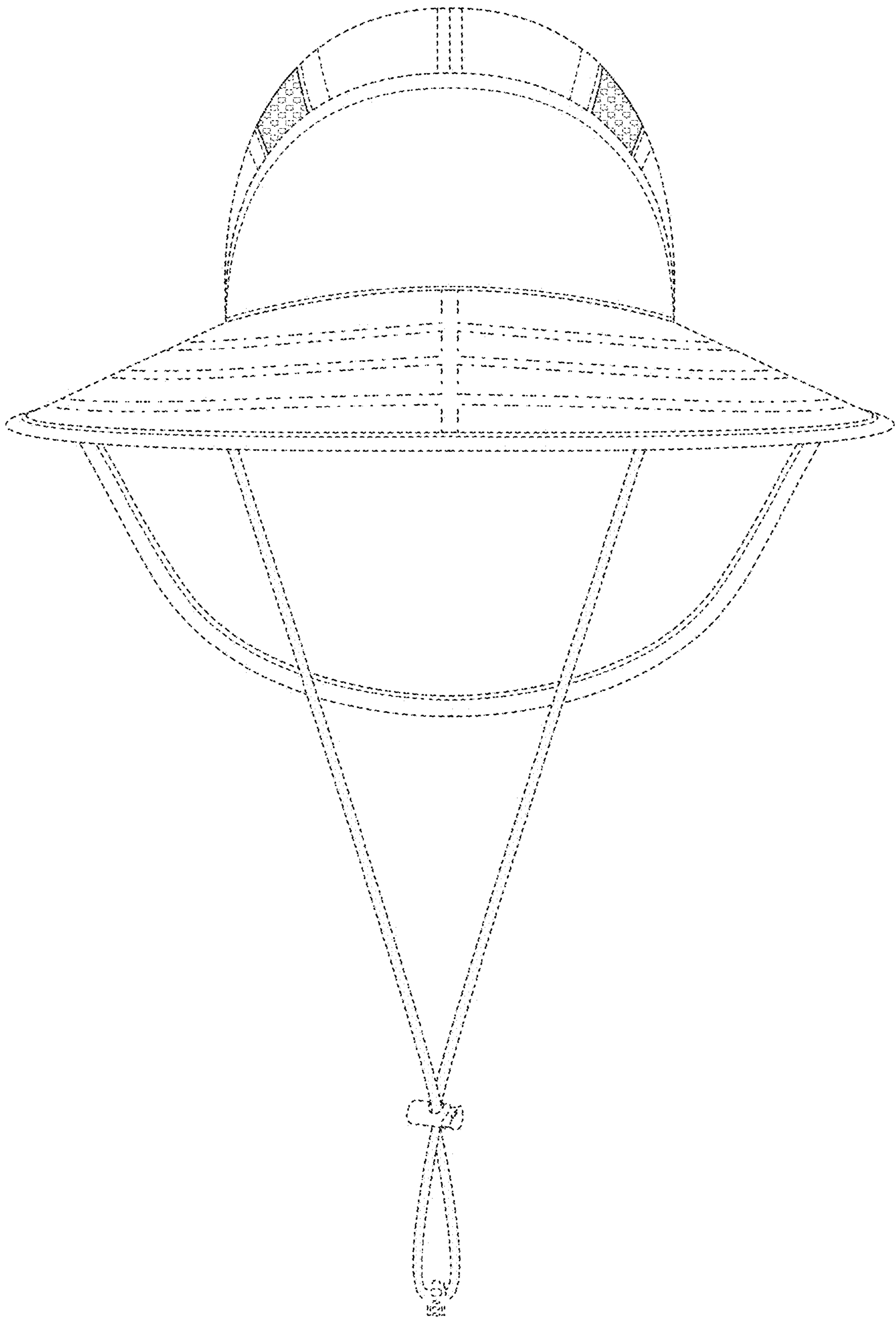


FIG. 1

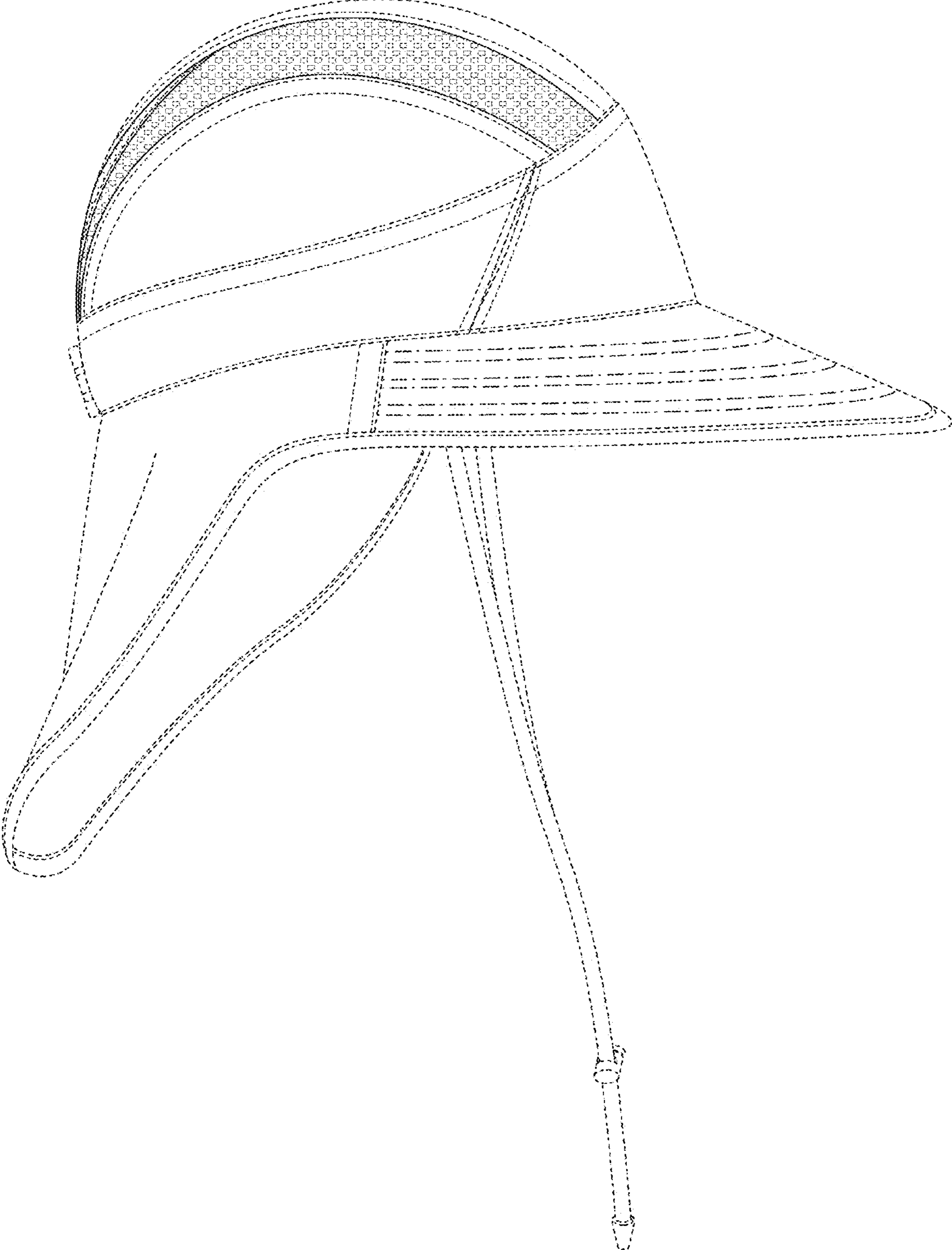


FIG. 2

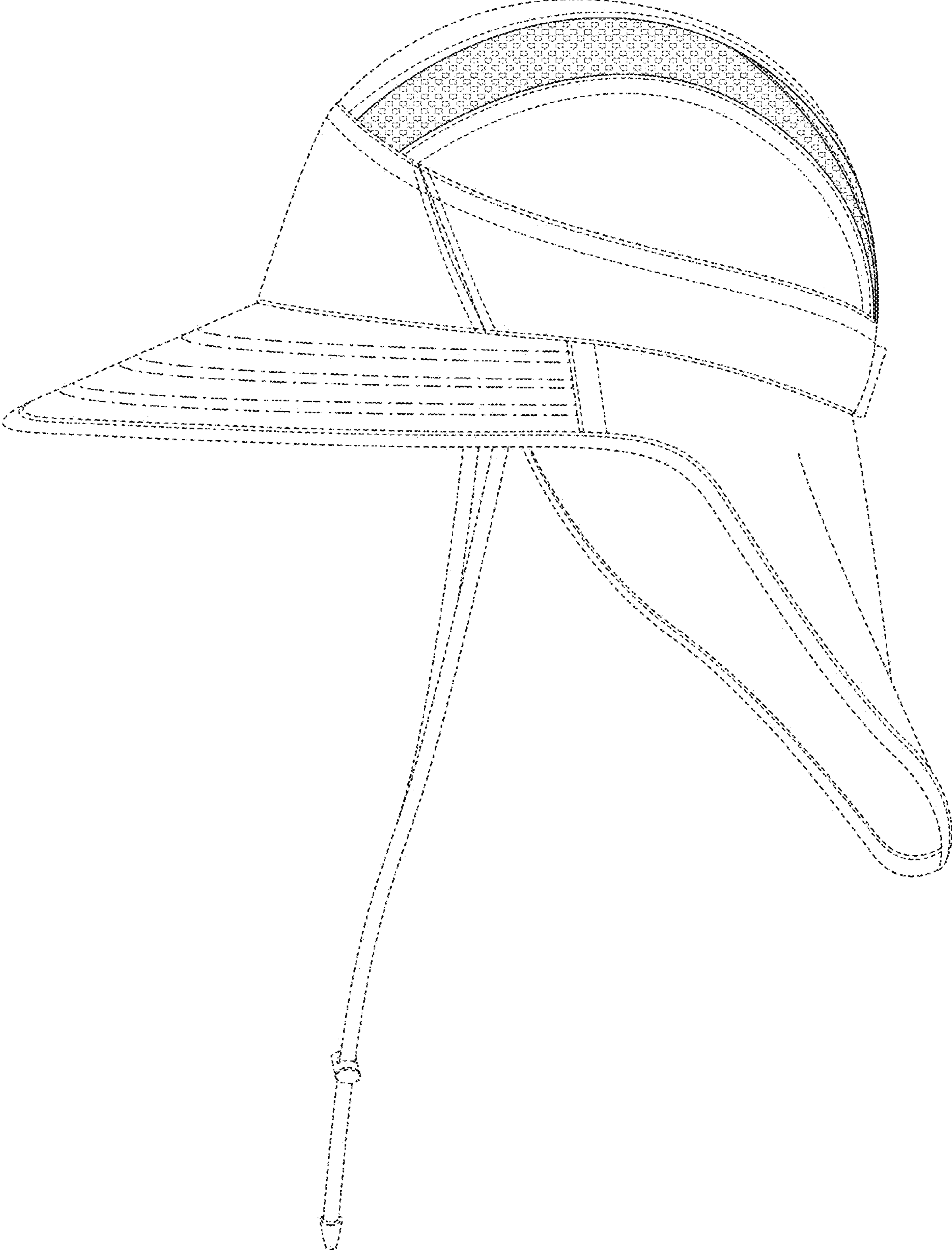


FIG. 3

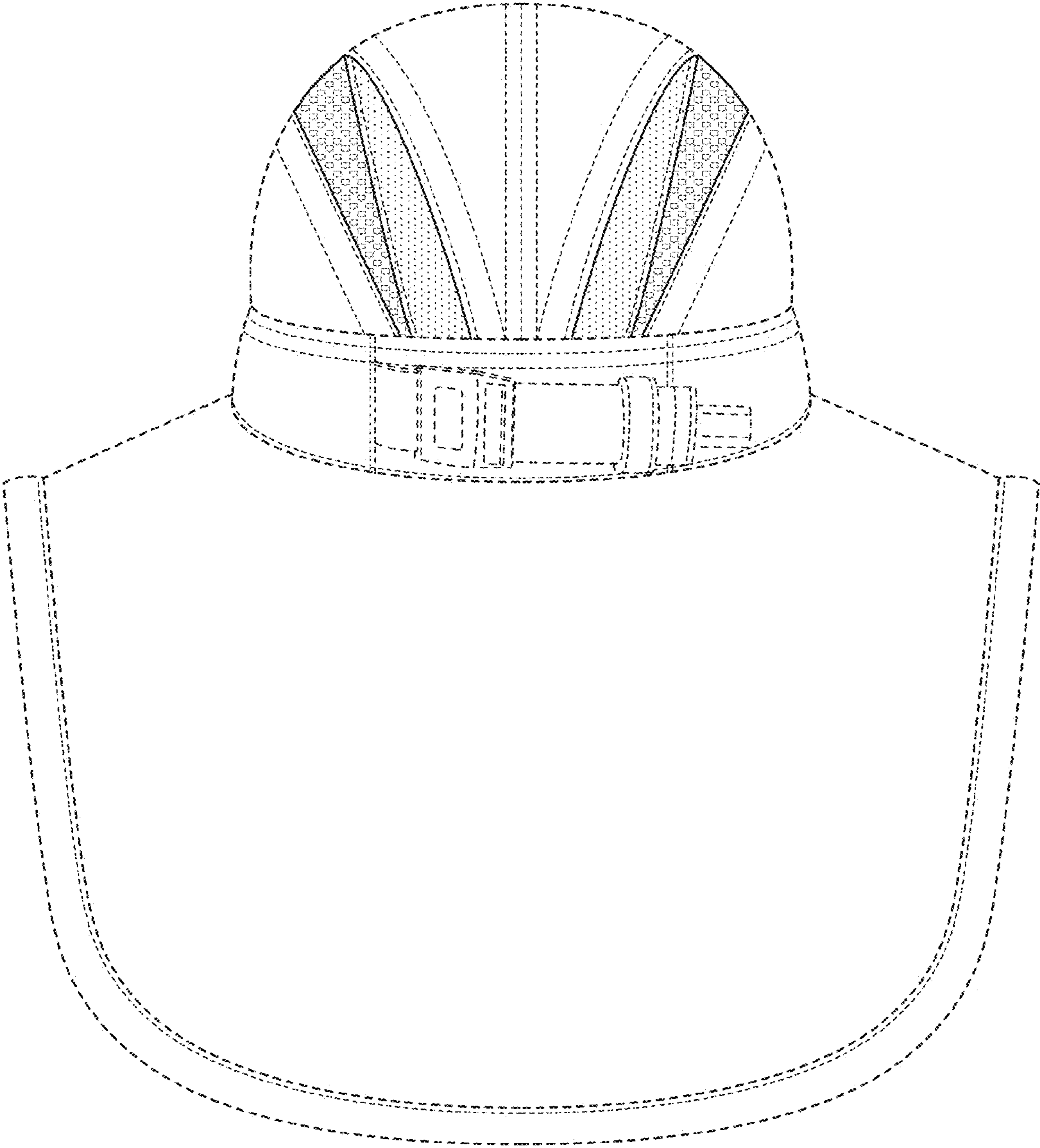


FIG. 4

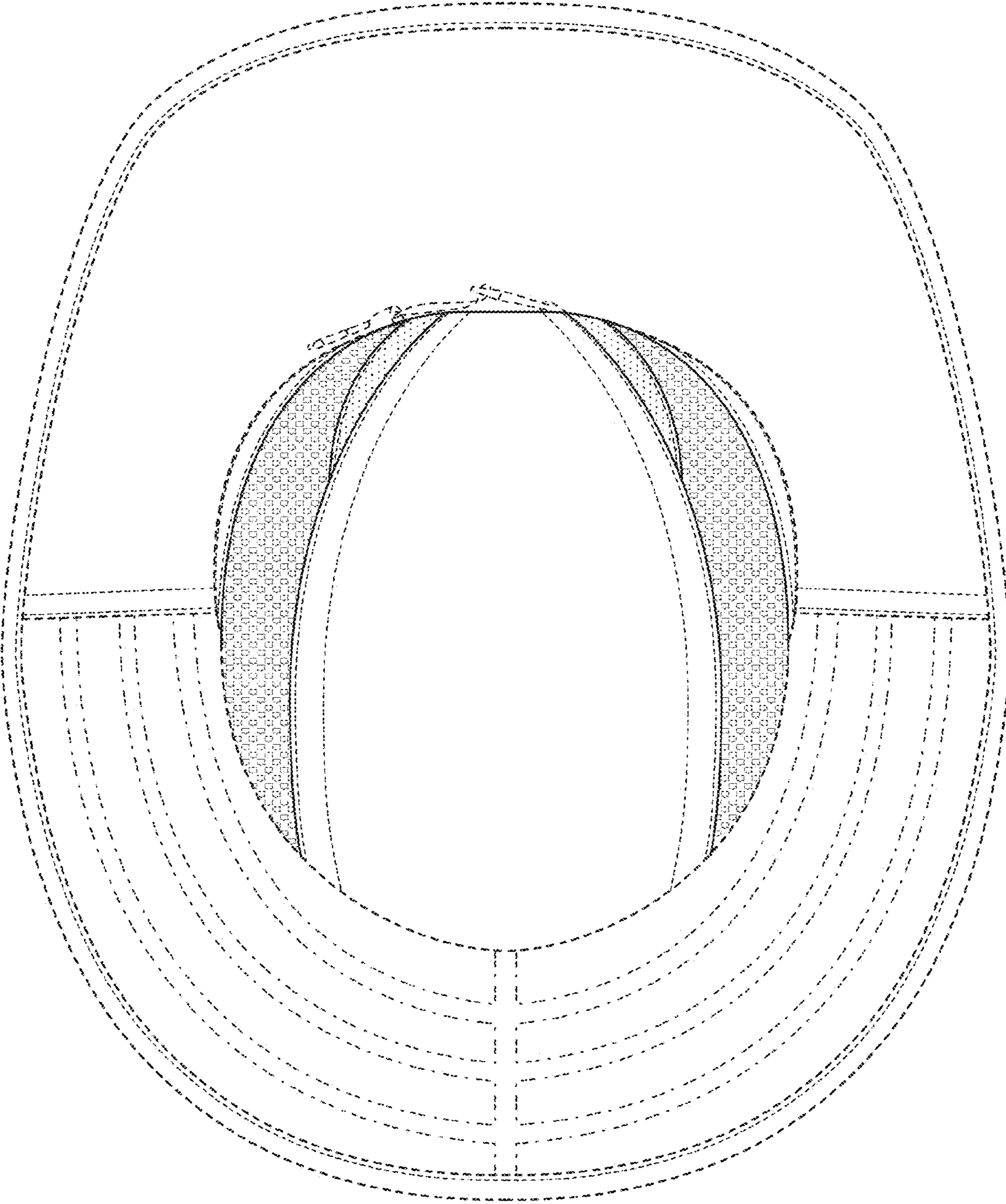


FIG. 5

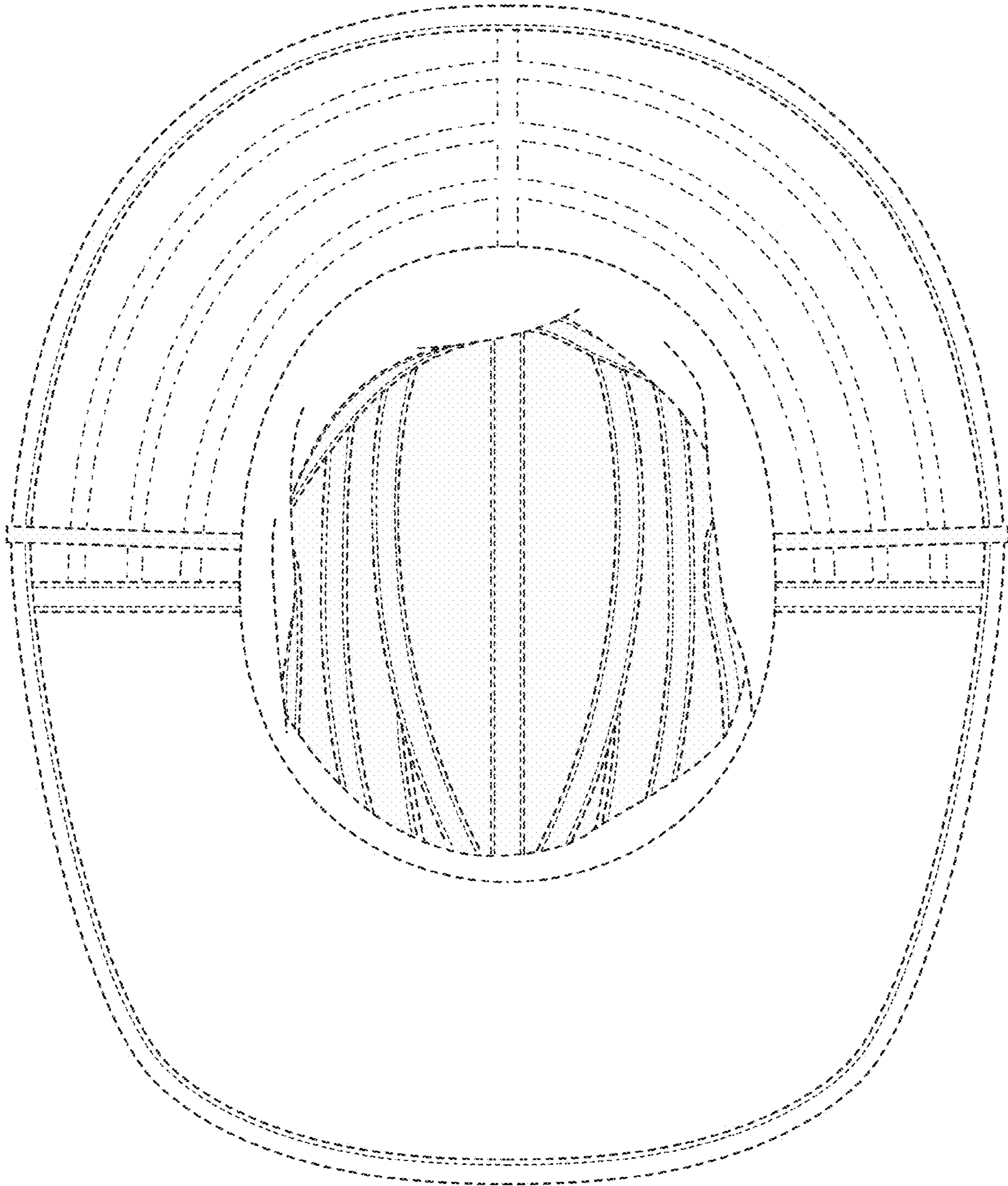


FIG. 6