

US00D954387S

(12) **United States Design Patent**  
**Wyse**

(10) **Patent No.:** **US D954,387 S**  
(45) **Date of Patent:** **\*\* Jun. 14, 2022**

(54) **FROZEN CONFECTION PRODUCT**

(71) Applicant: **Conopco, Inc.**, Englewood Cliffs, NJ  
(US)

(72) Inventor: **Andrea Phillipa Wyse**, Winsor (GB)

(73) Assignee: **Conopco, Inc.**, Englewood Cliffs, NJ  
(US)

(\*\*) Term: **15 Years**

(21) Appl. No.: **29/768,990**

(22) Filed: **Feb. 2, 2021**

(30) **Foreign Application Priority Data**

Aug. 5, 2020 (EM) ..... 008078422-0001

(51) **LOC (13) Cl.** ..... **01-01**

(52) **U.S. Cl.**  
USPC ..... **D1/106; D1/130**

(58) **Field of Classification Search**

USPC ..... D1/100-130, 199; D11/33, 68, 106;  
D24/101-104, 211-212, 9, 571, 575, 576,  
D24/396.4, 597-601, 200; D10/9;  
D7/354, 359, 361, 672, 675-677, 901;  
426/2, 16, 20, 104, 134, 138, 143, 635,  
426/803, 805; D6/597-601; D21/386,  
D21/707; D25/119, 121; 119/702,  
119/706-711; D9/613, 655; D28/8.2  
CPC ..... A23G 3/50; A23G 3/54; A23J 3/26; A23L  
1/0067  
See application file for complete search history.

(56) **References Cited**

**U.S. PATENT DOCUMENTS**

D229,049 S \* 11/1973 Roberts ..... D24/103  
D233,573 S \* 11/1974 Topalis ..... D1/120  
D260,477 S \* 9/1981 Jones ..... 451/540

4,503,031 A \* 3/1985 Glassman ..... A61K 9/0007  
424/44  
5,009,896 A \* 4/1991 Becker ..... A61J 3/10  
424/467  
D354,613 S \* 1/1995 Kreger ..... 426/76  
D423,184 S \* 4/2000 Lamont ..... 426/104  
D465,995 S \* 11/2002 Kelleghan ..... D8/356  
D520,671 S \* 5/2006 Haywood ..... D27/106  
D534,096 S \* 12/2006 Lovett ..... D11/103  
D632,584 S \* 2/2011 Eisenberger ..... D9/667  
D652,767 S \* 1/2012 Dunn ..... D11/184  
D870,901 S \* 12/2019 Reukema ..... D24/195

**OTHER PUBLICATIONS**

U/pavlay. "Any Info of Green Peace and Love Pills." Reddit. 2018.  
Web. Jan. 15, 2022. <[https://www.reddit.com/r/MDMA/comments/7v2t20/any\\_info\\_on\\_green\\_peace\\_and\\_love\\_pills/](https://www.reddit.com/r/MDMA/comments/7v2t20/any_info_on_green_peace_and_love_pills/)>.\*

\* cited by examiner

*Primary Examiner* — Katie Jane Stofko

(74) *Attorney, Agent, or Firm* — Gerard J. McGowan, Jr.

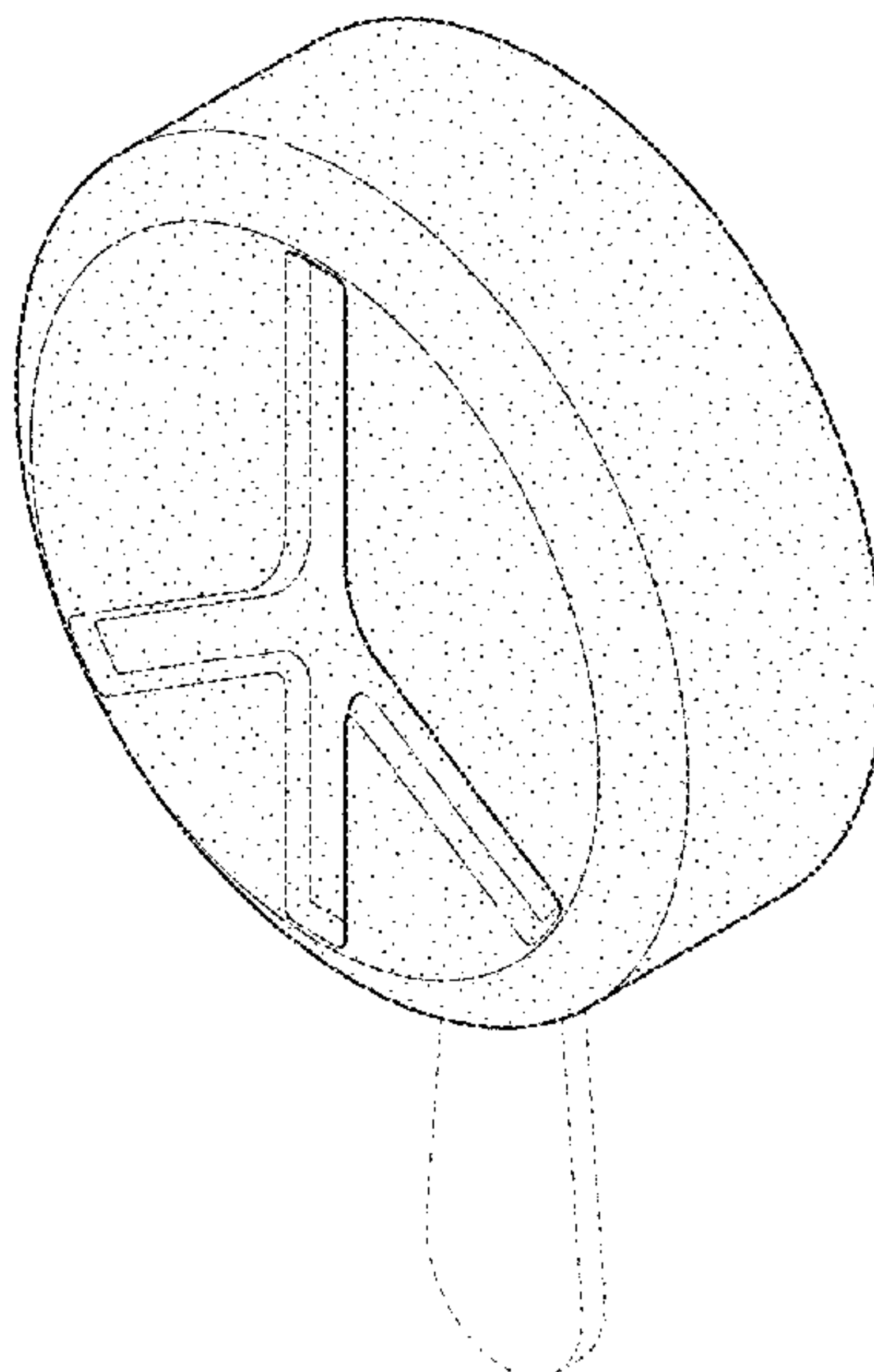
(57) **CLAIM**

The ornamental design for a frozen confection product, as shown and described.

**DESCRIPTION**

FIG. 1 is a front, top, right side perspective view of a frozen confection product showing our new design; FIG. 2 is a front elevation view thereof; FIG. 3 is a rear elevation view thereof; FIG. 4 is a left side elevation view thereof; FIG. 5 is a right side elevation view thereof; FIG. 6 is a top plan view thereof; and, FIG. 7 is a bottom plan view thereof. The broken lines shown in FIGS. 1-5 and 7 illustrate the environment of the claimed design and form no part thereof.

**1 Claim, 5 Drawing Sheets**



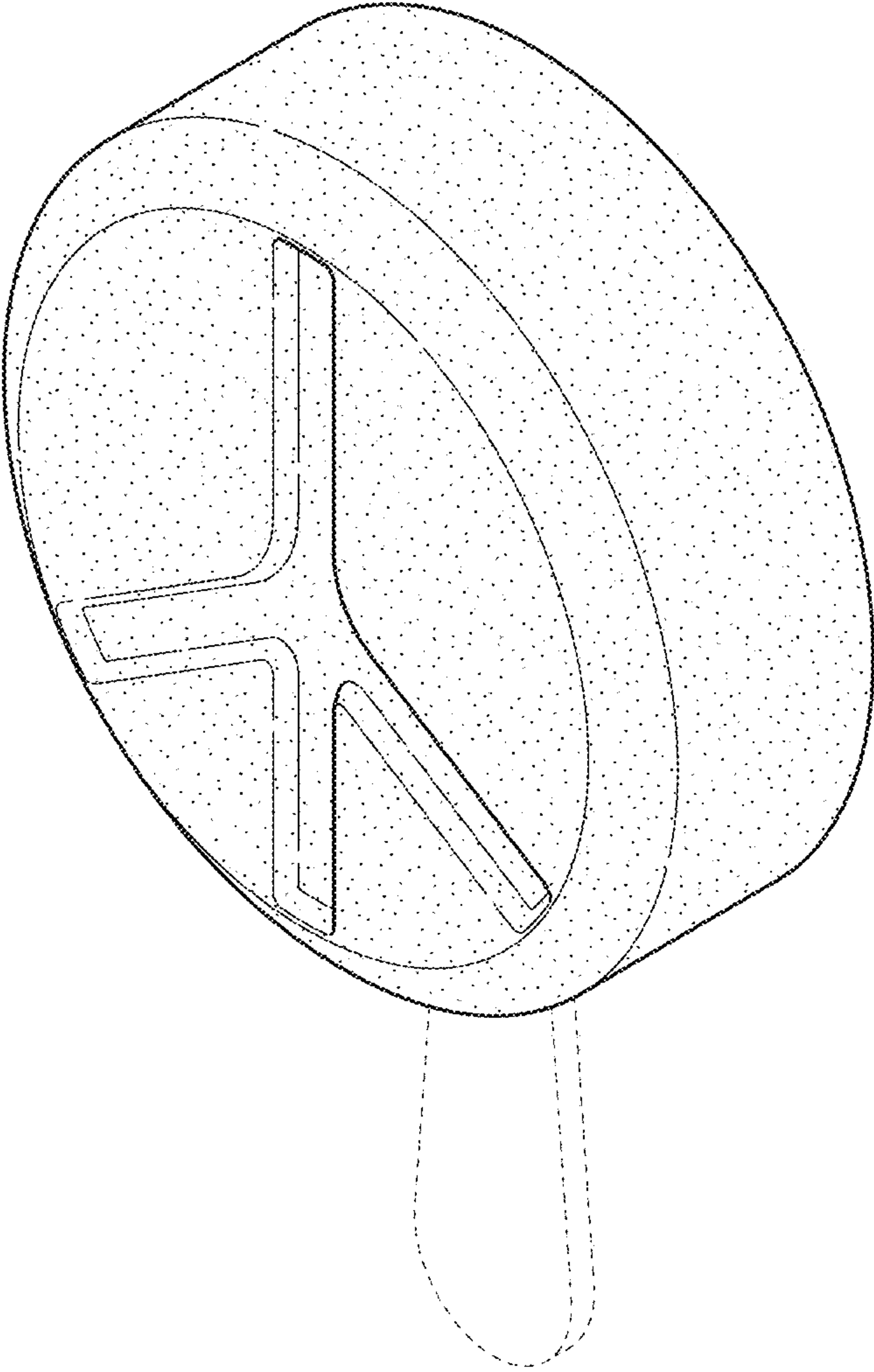


Fig. 1

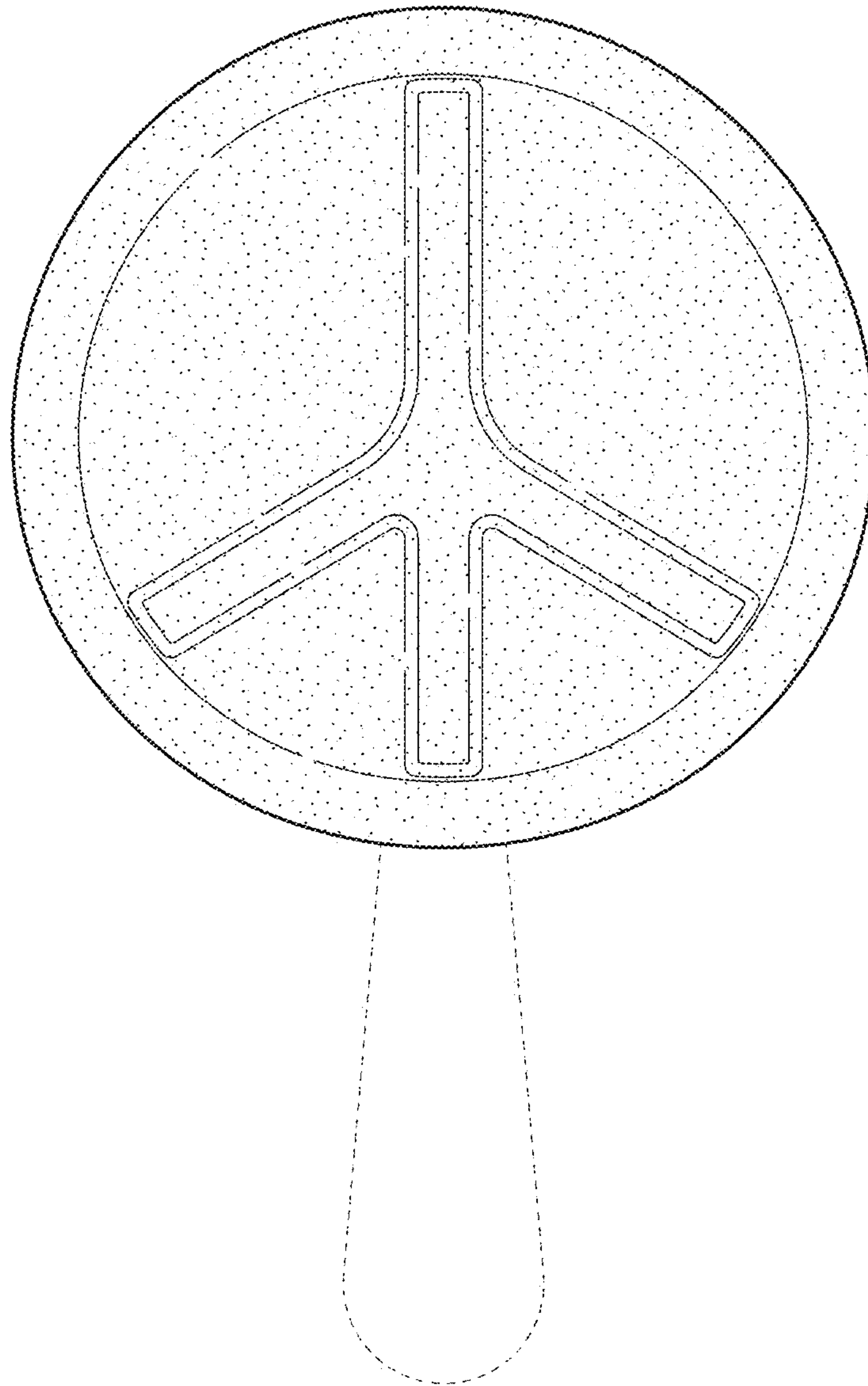


Fig. 2

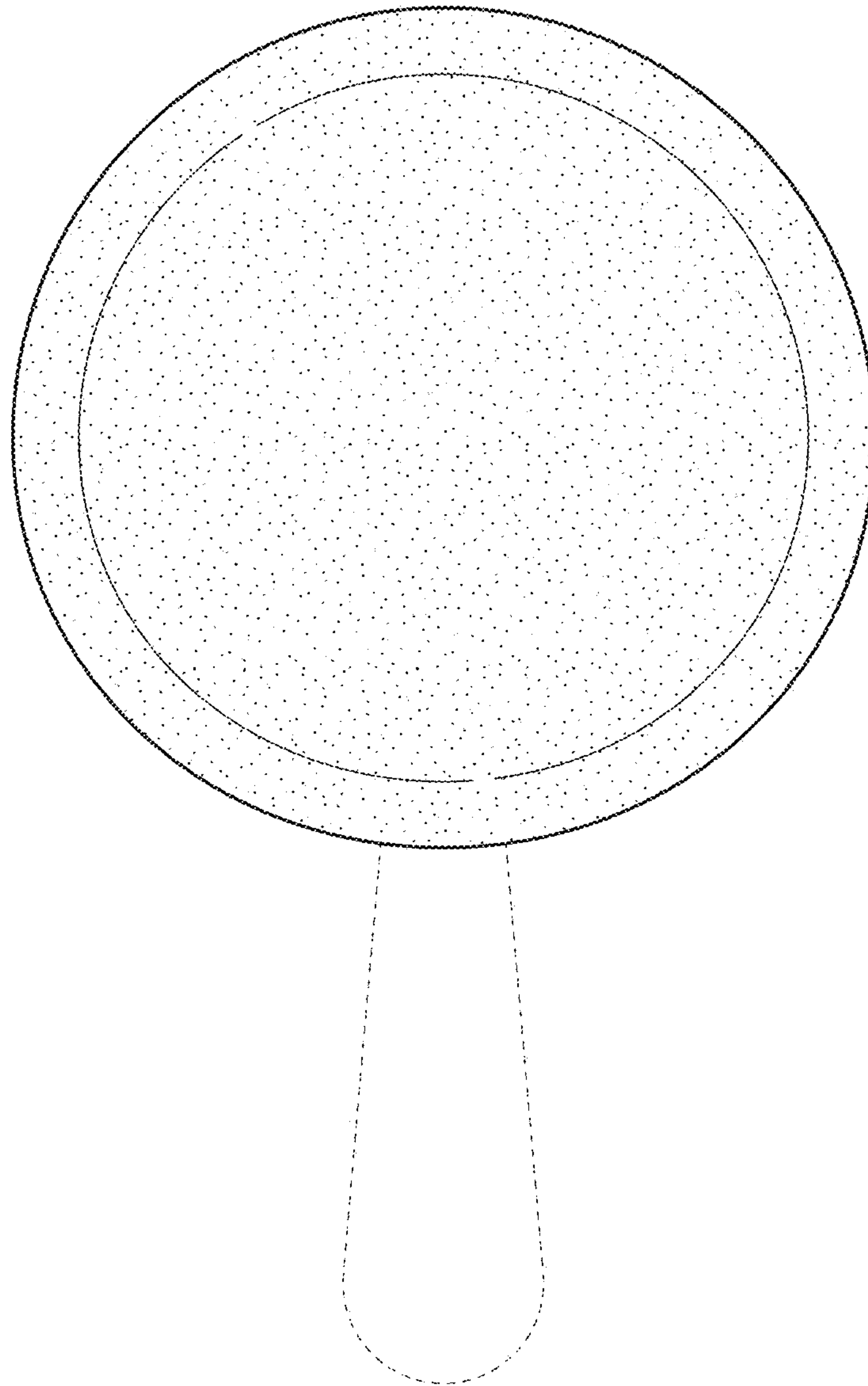


Fig. 3

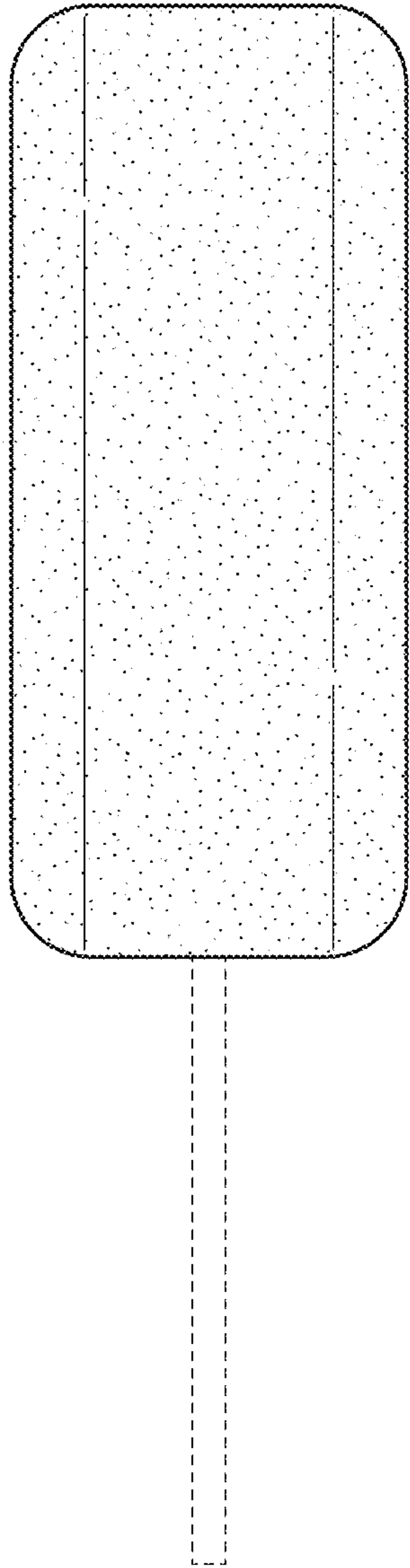


Fig. 4

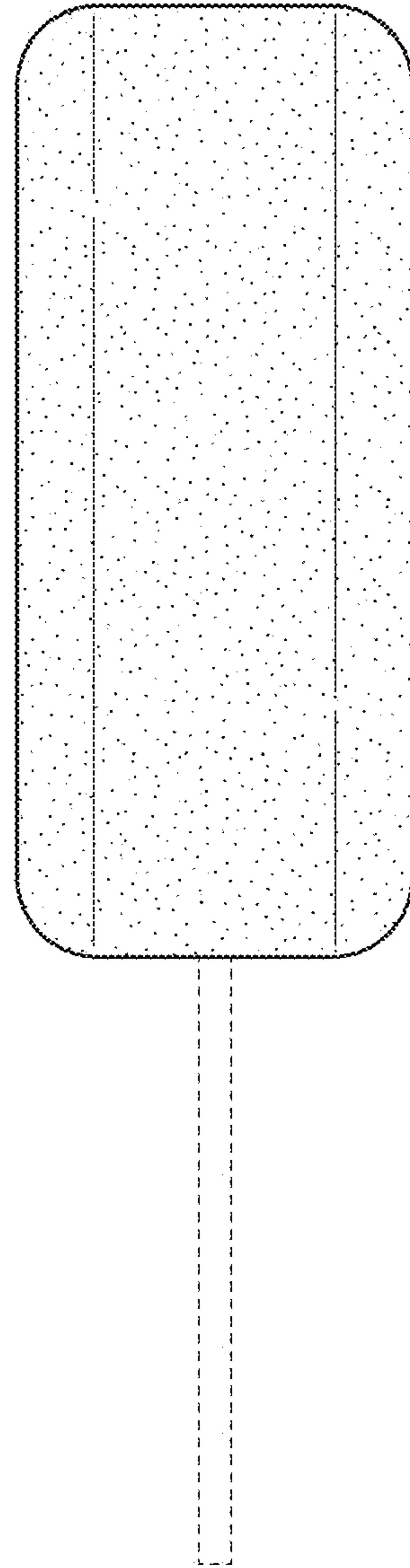


Fig. 5



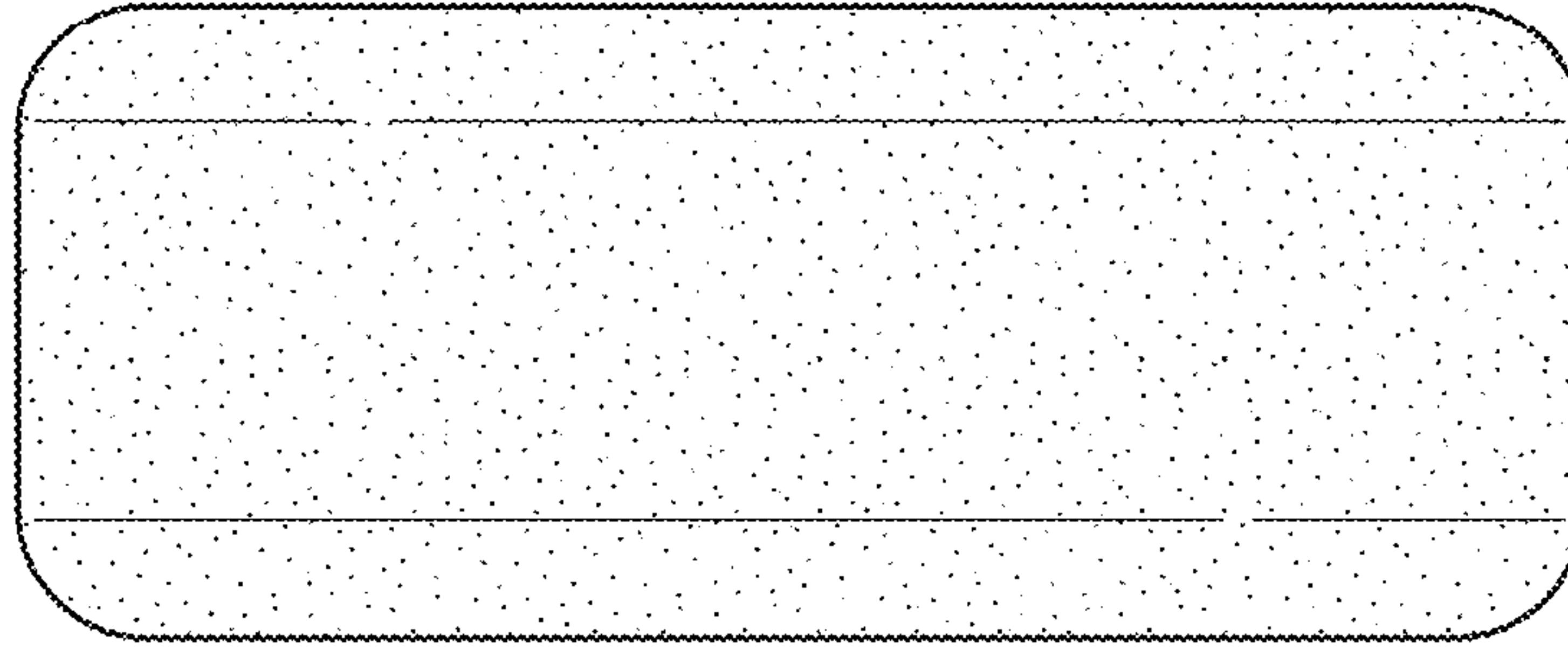


Fig. 6

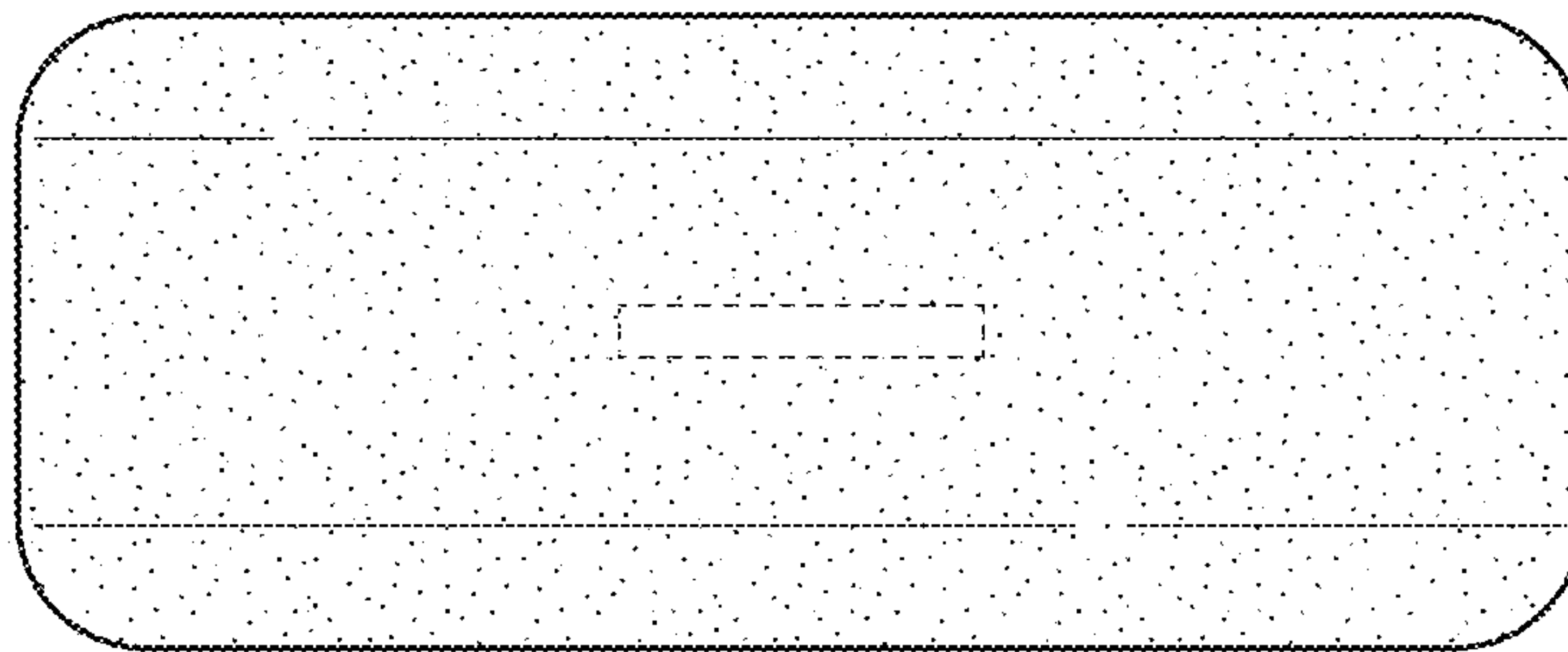


Fig. 7