



US00D954384S

(12) **United States Design Patent**
Zhu

(10) **Patent No.:** **US D954,384 S**
(45) **Date of Patent:** **** Jun. 7, 2022**

- (54) **PISTOL SAFE** 6,843,081 B1 * 1/2005 Painter F41C 33/06
42/70.11
- (71) Applicant: **Luoyang KAER Office Furniture Co., Ltd., Luoyang (CN)** D516,834 S 3/2006 Masseth, Jr.
7,025,203 B2 * 4/2006 Schonenbach F41C 33/06
206/478
- (72) Inventor: **Lixue Zhu, Luoyang (CN)** D541,045 S * 4/2007 Peart D99/28
D542,529 S * 5/2007 Peart D3/276
D558,977 S * 1/2008 Peart D99/28
D561,994 S * 2/2008 Peart D99/28
D569,073 S * 5/2008 Osiecki D99/28
D571,524 S * 6/2008 Kang D99/28
- (73) Assignee: **Luoyang KAER Office Furniture Co., Ltd., Luoyang (CN)**
- (**) Term: **15 Years** (Continued)

(21) Appl. No.: **29/781,243**

(22) Filed: **Apr. 28, 2021**

(51) **LOC (13) Cl.** **99-00**

(52) **U.S. Cl.**
USPC **D99/28**

(58) **Field of Classification Search**
USPC D99/28, 34, 35, 36, 43, 99; 109/1 R,
109/1 V, 2, 45; 902/9, 30; 235/100;
206/317, 527, 235; 312/400, 409
CPC E05B 65/0075; F42B 39/00; F42B 39/002;
F42B 39/14; F42B 39/18; F42B 39/22;
F42B 39/24; F42B 39/20; F42B 39/26;
E05G 1/00; E05G 1/005; E05G 1/024;
E05G 5/00; E05G 5/02; E05G 2700/00;
E05G 2700/02; E05G 2700/04; G07F
17/10; G07F 9/06; G07F 9/003; G07F
9/002; G07F 9/004; G07F 9/008; G07D
11/0009; G07D 11/009; G07D 11/006
See application file for complete search history.

(56) **References Cited**

U.S. PATENT DOCUMENTS

- D357,117 S * 4/1995 Huang D3/276
- D399,632 S * 10/1998 Davis D99/28
- 6,405,861 B1 * 6/2002 Siler F41C 33/06
206/1.5
- D474,596 S * 5/2003 Osiecki D3/273
- 6,752,092 B2 * 6/2004 Beattie E05G 1/024
109/74

OTHER PUBLICATIONS

RPNB Gun Safe, California DOJ Certified Quick-Access Pistol Safe for Multiple Handguns&Ammo with Biometric Fingerprint Lock or RFID Lock, Auto-Open Lid Safety Device for 2 Guns, [https://www.amazon.com/RPNB-Quick-Access-Firearm-Safety-Personal/dp/B07S8S9KCW?&linkCode=May 27, 2019](https://www.amazon.com/RPNB-Quick-Access-Firearm-Safety-Personal/dp/B07S8S9KCW?&linkCode=May%2027%2C2019). (Year: 2019).*

(Continued)

Primary Examiner — Elizabeth J Oswecki
(74) *Attorney, Agent, or Firm* — Georgi Korobanov

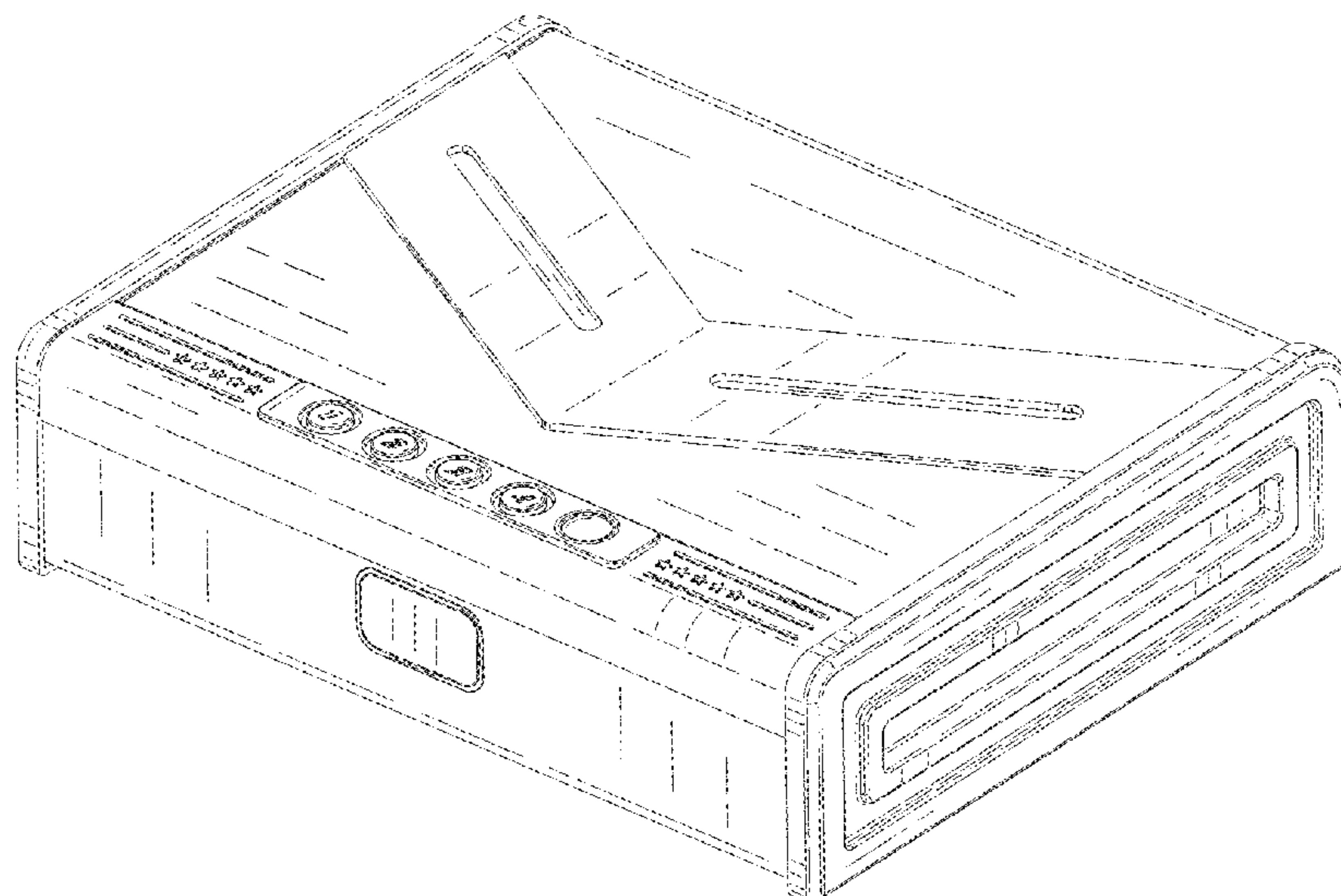
(57) **CLAIM**

The ornamental design for a pistol safe, as shown and described.

DESCRIPTION

FIG. 1 is a perspective view of a pistol safe showing my new design;
FIG. 2 is another perspective view of FIG. 1, shown in an open position;
FIG. 3 is a front view of FIG. 1;
FIG. 4 is a back view of FIG. 1;
FIG. 5 is a left side view of FIG. 1;
FIG. 6 is a right side view of FIG. 1;
FIG. 7 is a top plan view of FIG. 1; and,
FIG. 8 is a bottom plan view of FIG. 1.

1 Claim, 8 Drawing Sheets



(56)

References Cited

U.S. PATENT DOCUMENTS

7,546,920 B1 * 6/2009 Horn F41C 33/06
 206/317
 D616,200 S * 5/2010 Riedel D3/905
 D624,275 S * 9/2010 Min D99/28
 D635,324 S * 3/2011 Plato D99/28
 D651,785 S * 1/2012 Martin D99/28
 D677,855 S * 3/2013 Eick D99/35
 8,474,923 B2 * 7/2013 Pendleton E05G 1/02
 312/305
 D714,015 S * 9/2014 Hyde D99/28
 D732,264 S 6/2015 Hine et al.
 D732,265 S * 6/2015 Osiecki D99/28
 D749,846 S * 2/2016 Koeniger D3/905
 D772,522 S * 11/2016 Henderson D99/28
 D800,989 S * 10/2017 Lucido D99/28
 D803,508 S * 11/2017 Horn D99/28
 D817,589 S * 5/2018 Culbreth D99/28
 10,060,177 B2 * 8/2018 Smith A47B 81/002
 10,253,529 B1 * 4/2019 McGinn E05C 9/043
 D866,913 S * 11/2019 Xu D99/28
 D893,123 S * 8/2020 Yu D99/28
 D895,225 S * 9/2020 Smith D99/28
 2003/0041787 A1 * 3/2003 Gerstenkorn A47B 81/005
 109/73
 2004/0045329 A1 * 3/2004 Farnham E05B 73/0005
 70/161
 2012/0298018 A1 * 11/2012 McCabe E05B 17/0025
 109/51

OTHER PUBLICATIONS

Biometric Pistol Safe, Gun Safes for 2 Pistols, Quick-Access Handgun Safe with Fingerprint/Password/Key Access, LED, Mute Mode, Ideal for Small Drawer, Nook, Nightstand, Office, Backpack or Car, <https://www.amazon.com/Poloma-Biometric-Fingerprint-Bedside-Nightstand/dp/B08T9L7XDZ>, Jan. 18, 2021. (Year: 2021).*

Wincent Biometric Gun Safe, Quick Access Gun Safes for Pistols with Fingerprint & Keypad Lock—Two Guns Capacity—Firearm Pistol Safe Box with Auto Open Lid Pneumatic Rod,<https://www.amazon.com/WINCENT-Biometric-Pistols-Fingerprint-Capacity/dp/B08P44SVFS>, Nov. 25, 2020. (Year: 2020).*

SentrySafe Quick Access 1-Gun Electronic/Keypad Gun Safe,<https://www.lowes.com/pd/SentrySafe-Quick-Access-1-Gun-Electronic-Keypad-Gun-Safe/1000129573>, copyright 2022. (Year: 2022).*

Gun Safe, Fingerprint Lock Box ,Biometric Gun Safety Smart Pistol, Safety Gun Equipment With Automatic Opening Lid,<https://www.walmart.com/ip/Gun-Safe-Fingerprint-Lock-Box-Biometric-Gun-Safety-Smart-Pistol-Safety-Gun-Equipment-With-Automatic-Opening-Lid/171418603>,copyright 2022. (Year: 2022).*

* cited by examiner

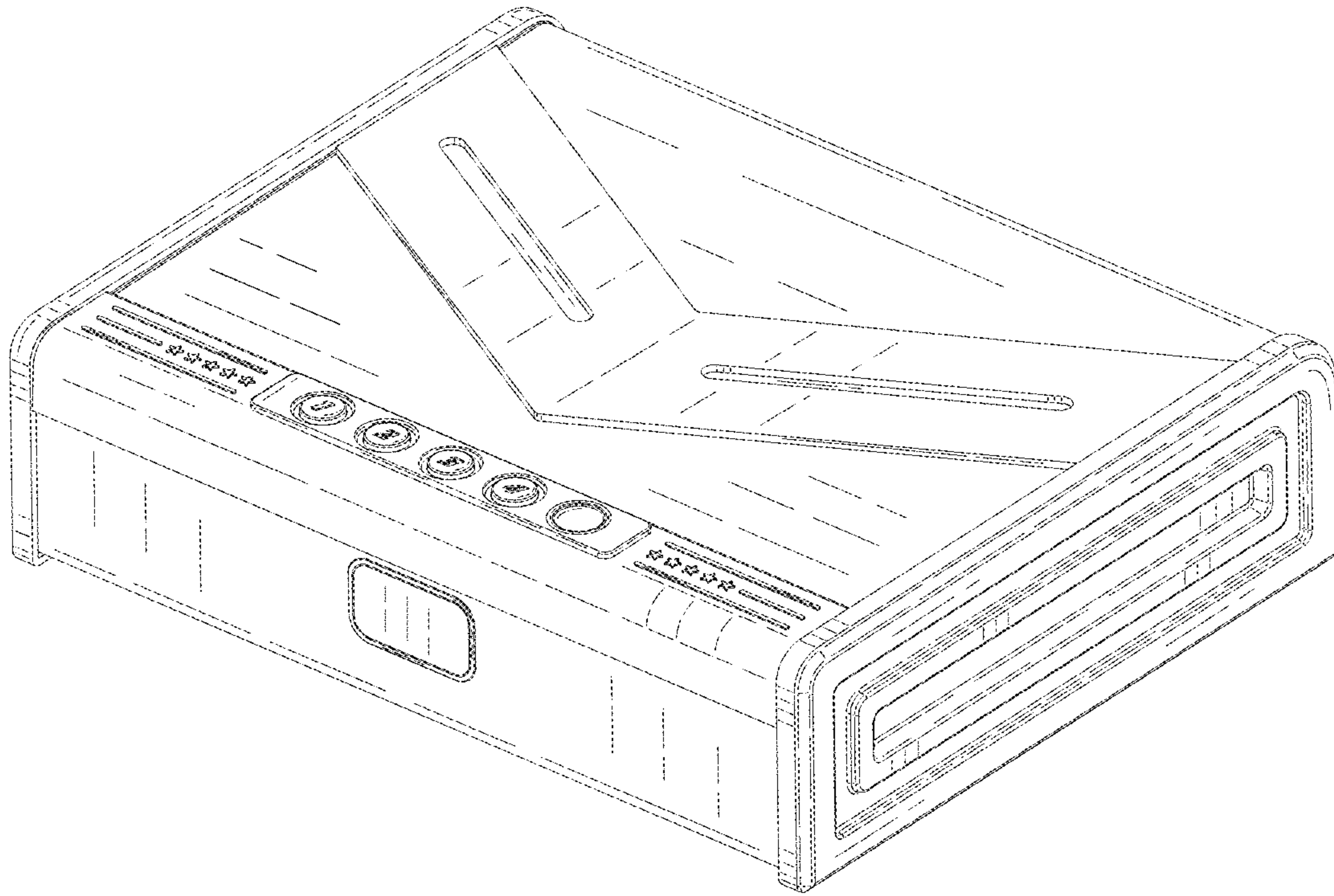


FIG. 1

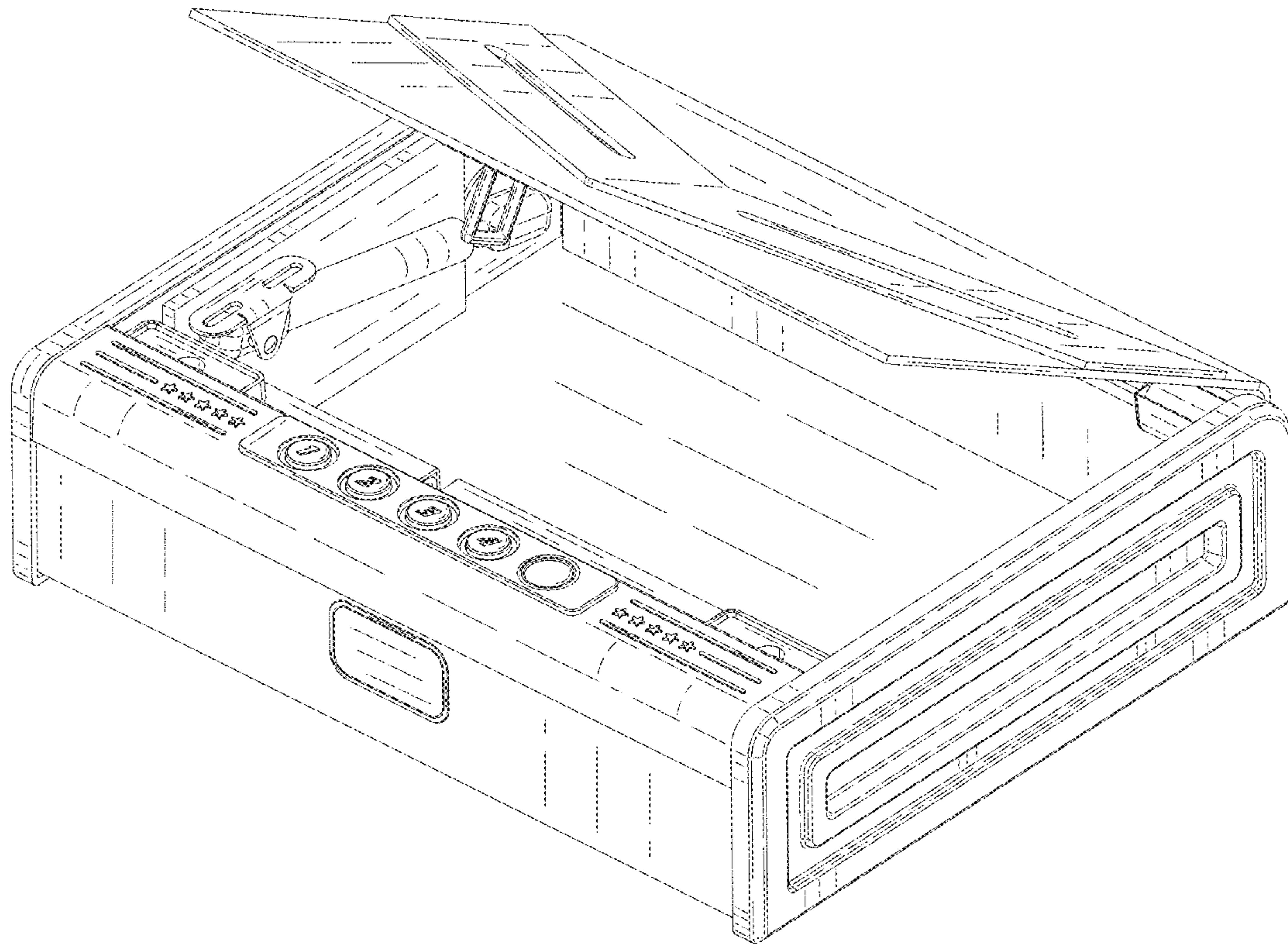


FIG. 2

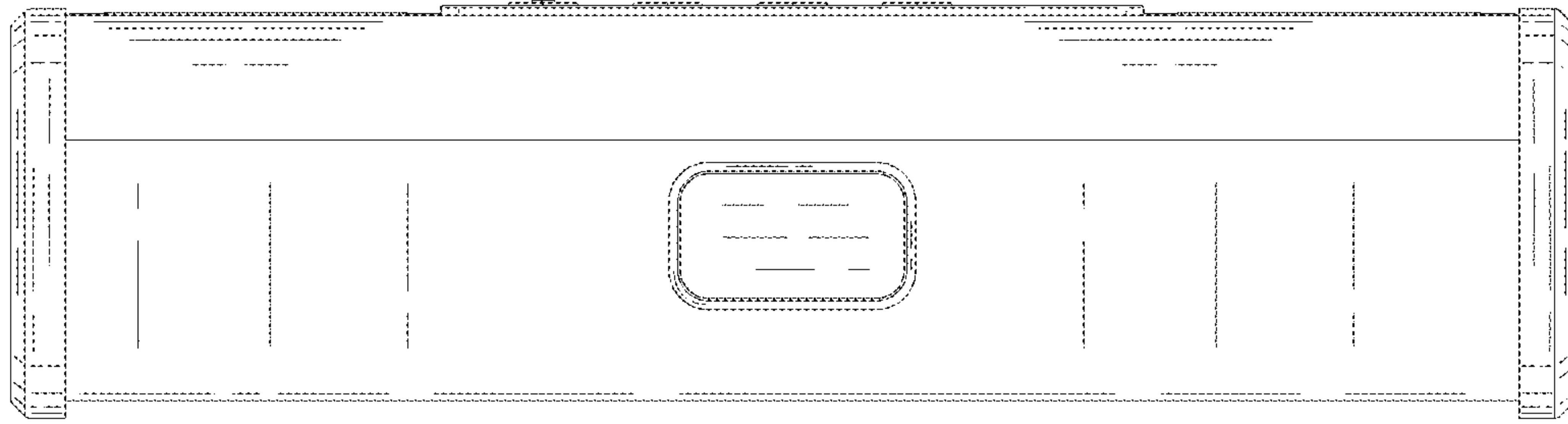


FIG. 3

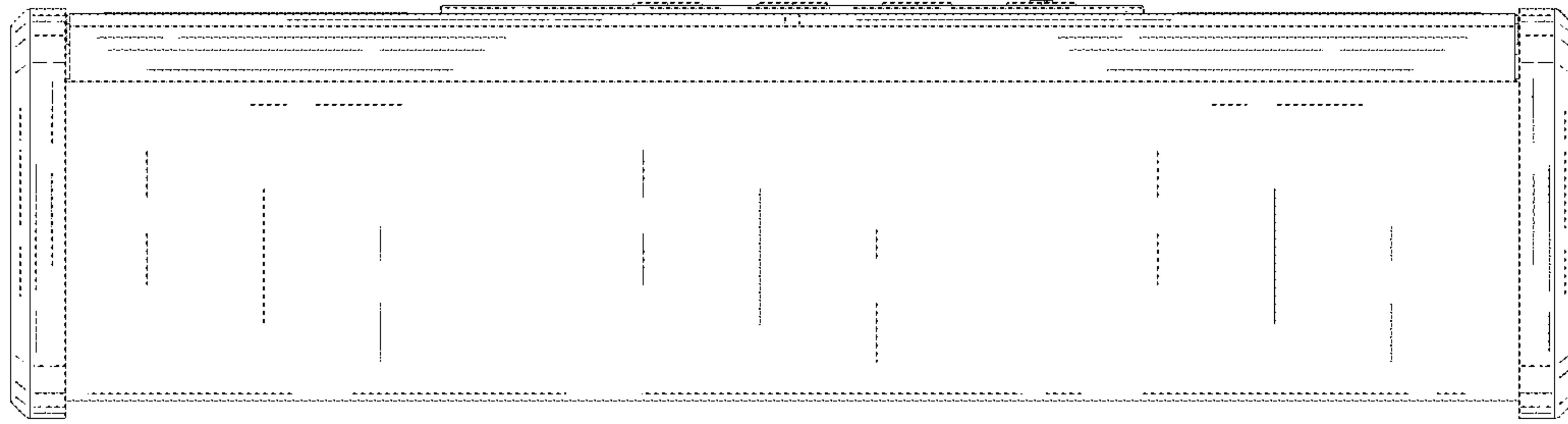


FIG. 4

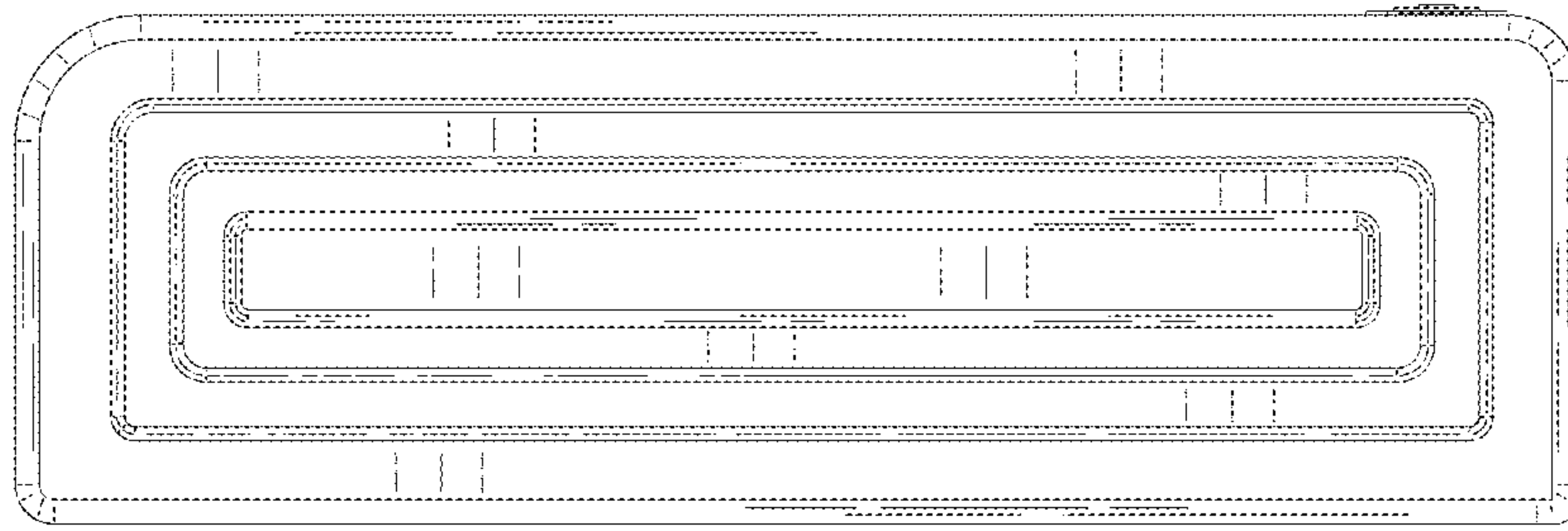


FIG. 5

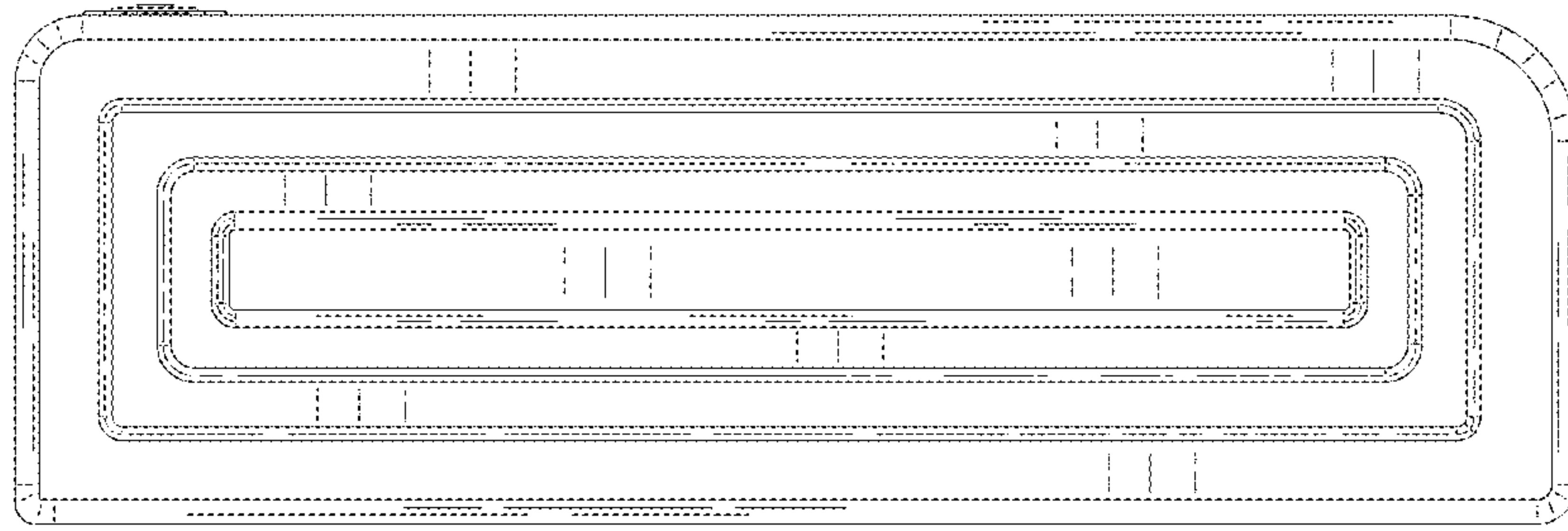


FIG. 6

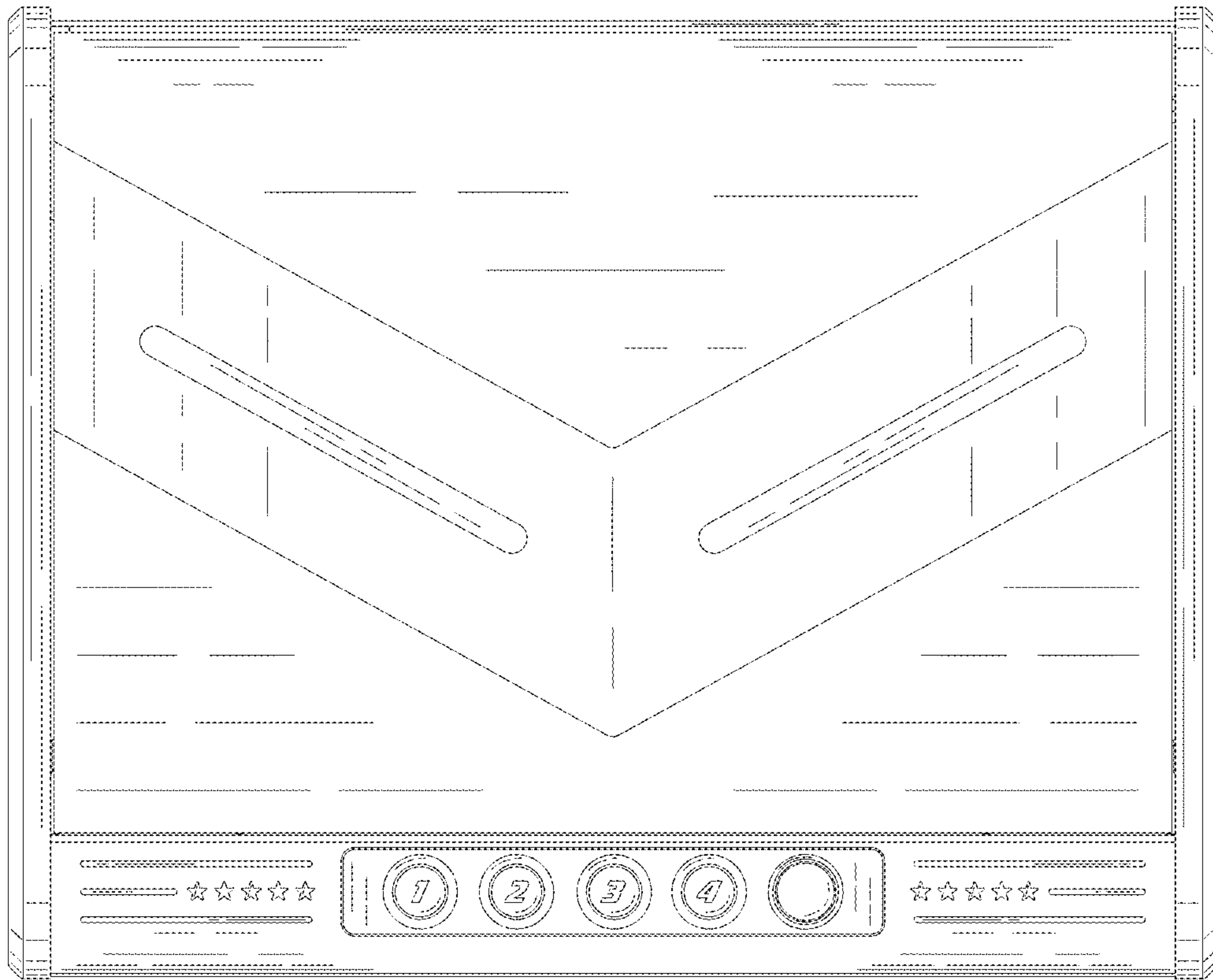


FIG. 7

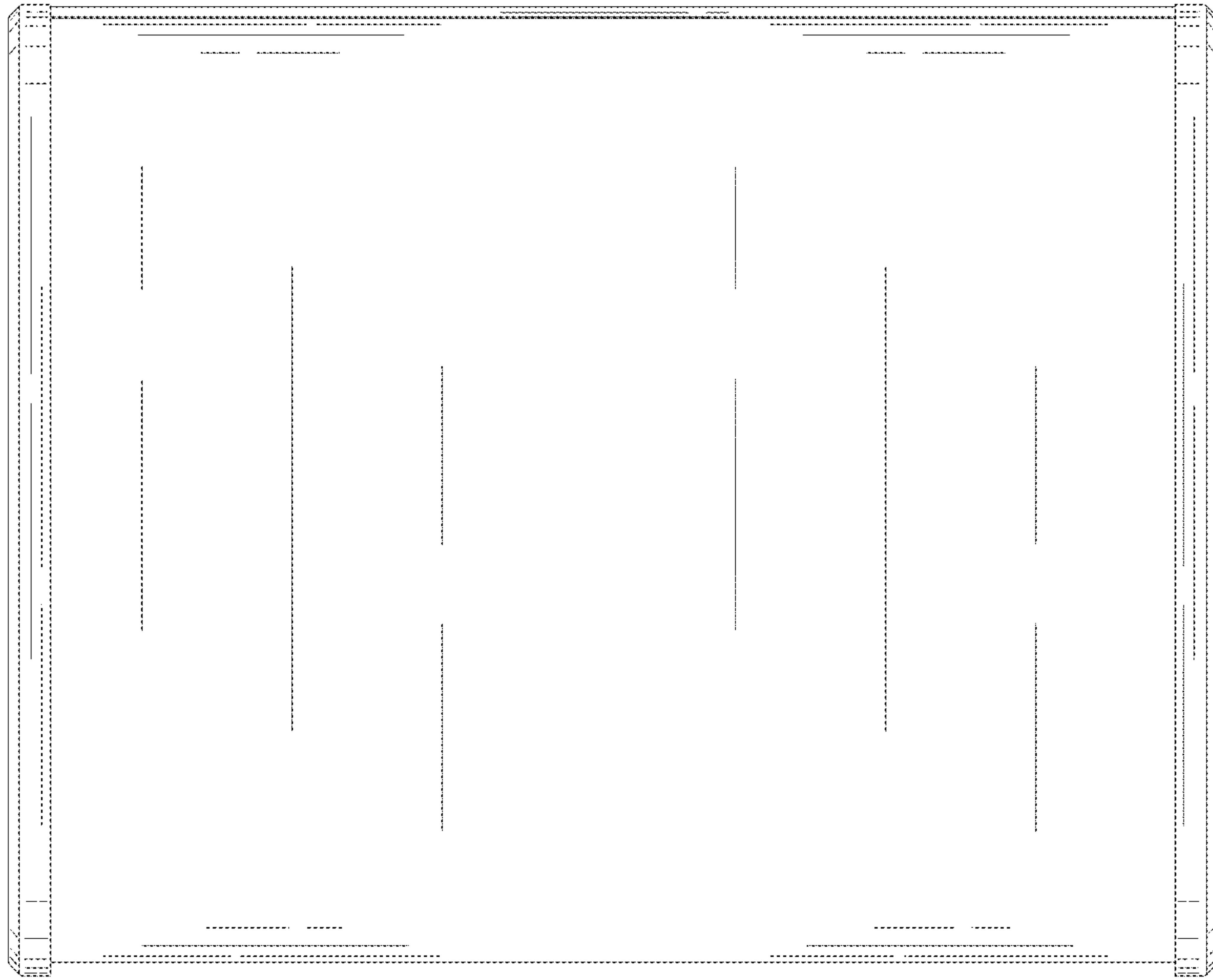


FIG. 8