



US00D954383S

(12) **United States Design Patent**
Brockett

(10) **Patent No.:** **US D954,383 S**

(45) **Date of Patent:** **** Jun. 7, 2022**

(54) **LIFT BRACKET**

(71) Applicant: **Ray Brockett**, Helena, MT (US)

(72) Inventor: **Ray Brockett**, Helena, MT (US)

(**) Term: **15 Years**

(21) Appl. No.: **29/745,894**

(22) Filed: **Aug. 10, 2020**

(51) **LOC (13) Cl.** **12-05**

(52) **U.S. Cl.**

USPC **D34/35**

(58) **Field of Classification Search**

USPC D34/27, 35, 28, 34; 410/100, 103, 97,
410/98, 107

CPC B66F 7/0641; B66F 7/0625; B66F 7/08;
B66F 5/00; B66F 5/04; B62B 5/0069;
B62B 5/0438; B62B 3/0612; B62B
3/0618; B62B 5/069; B62B 7/04; B62B
7/006; B62B 7/008; B62B 7/145; B62B
3/144; B62B 3/146; B62B 2205/10;
B60D 1/00; B60D 1/01; B60D 1/06;
B60D 1/065; B62D 25/08; B60R
2019/007; B60R 19/02; B60R 19/04;
B60R 19/18; B60R 19/24; B60R 19/56;
B60P 7/0823; B60P 7/10; B60P 7/12;
B60P 7/083; B60P 7/0846

See application file for complete search history.

(56) **References Cited**

U.S. PATENT DOCUMENTS

D249,663 S * 9/1978 Willett D34/29

D262,614 S * 1/1982 Helgesson D34/35

D356,415 S * 3/1995 Minasian D34/27
D363,915 S * 11/1995 Weems D12/345
D459,854 S * 7/2002 Fujikawa D8/367
D779,767 S * 2/2017 Dahlheimer D34/28
D811,681 S * 2/2018 Hollander D34/16
D862,825 S * 10/2019 Angel D34/28
D913,620 S * 3/2021 Hechler D34/28
D945,110 S * 3/2022 Rathke D34/35

* cited by examiner

Primary Examiner — Cynthia Ramirez

(74) *Attorney, Agent, or Firm* — Superior IP, PLLC;
Dustin Call

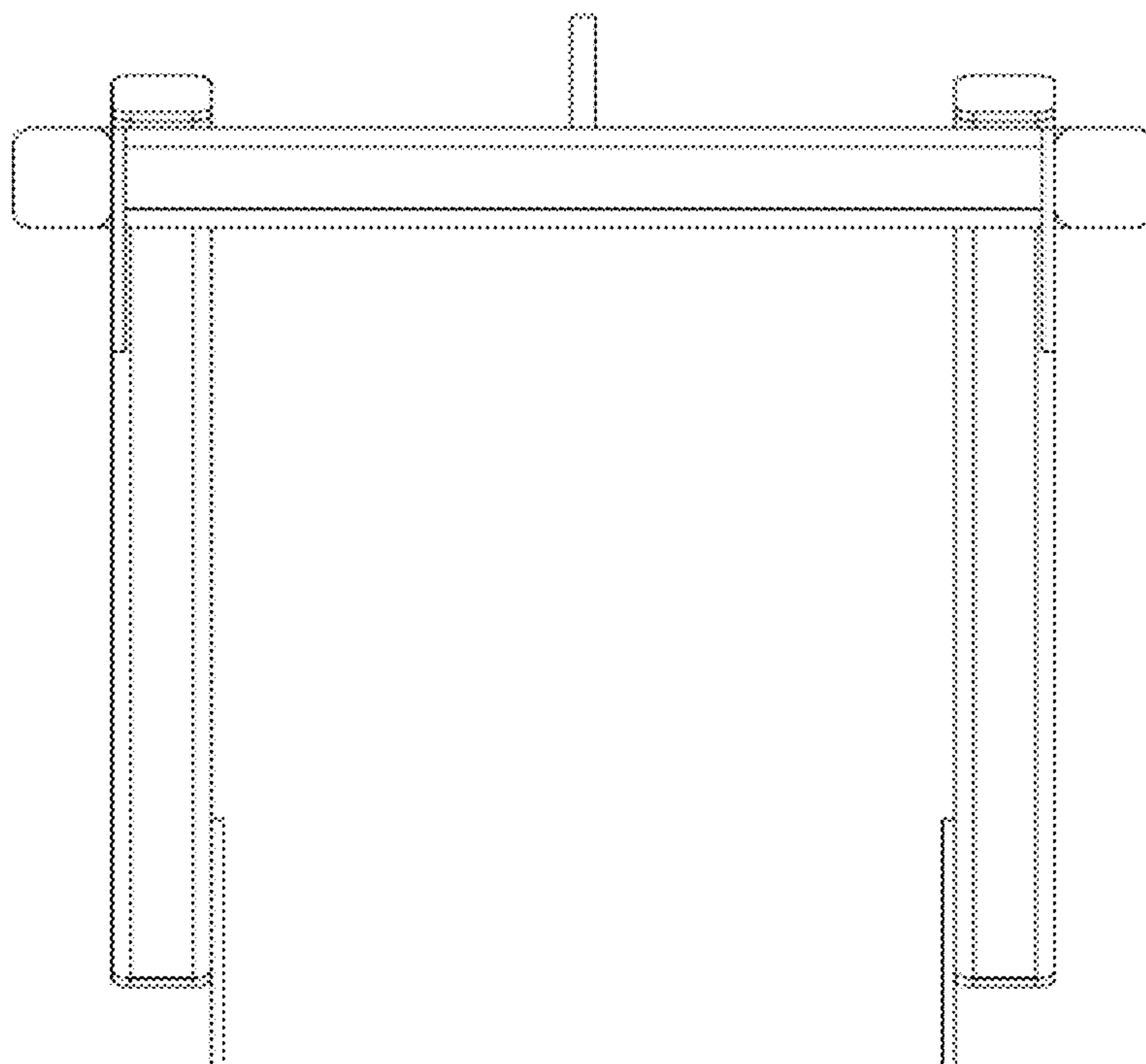
(57) **CLAIM**

The ornamental design for a lift bracket, as shown and described.

DESCRIPTION

FIG. 1 is a front elevational view of a lift bracket;
FIG. 2 is a rear elevational view thereof;
FIG. 3 is a top elevational view thereof;
FIG. 4 is a bottom elevational view thereof;
FIG. 5 is a left-side elevational view thereof;
FIG. 6 is a right-side elevational view thereof;
FIG. 7 is a left top rear perspective view thereof;
FIG. 8 is a right top front perspective view thereof; and,
FIG. 9 is a right bottom front perspective view thereof.

1 Claim, 9 Drawing Sheets



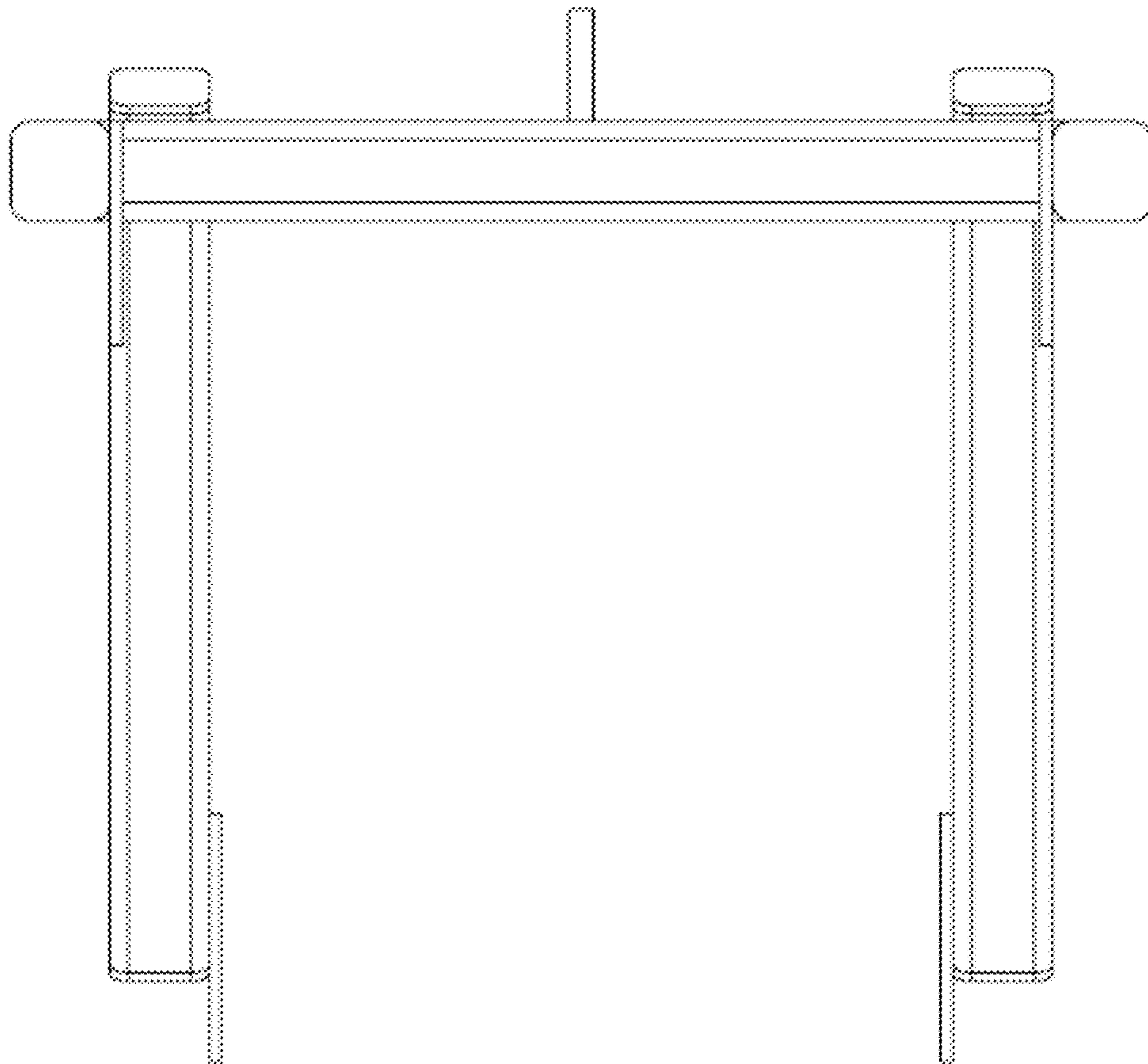


Fig. 1

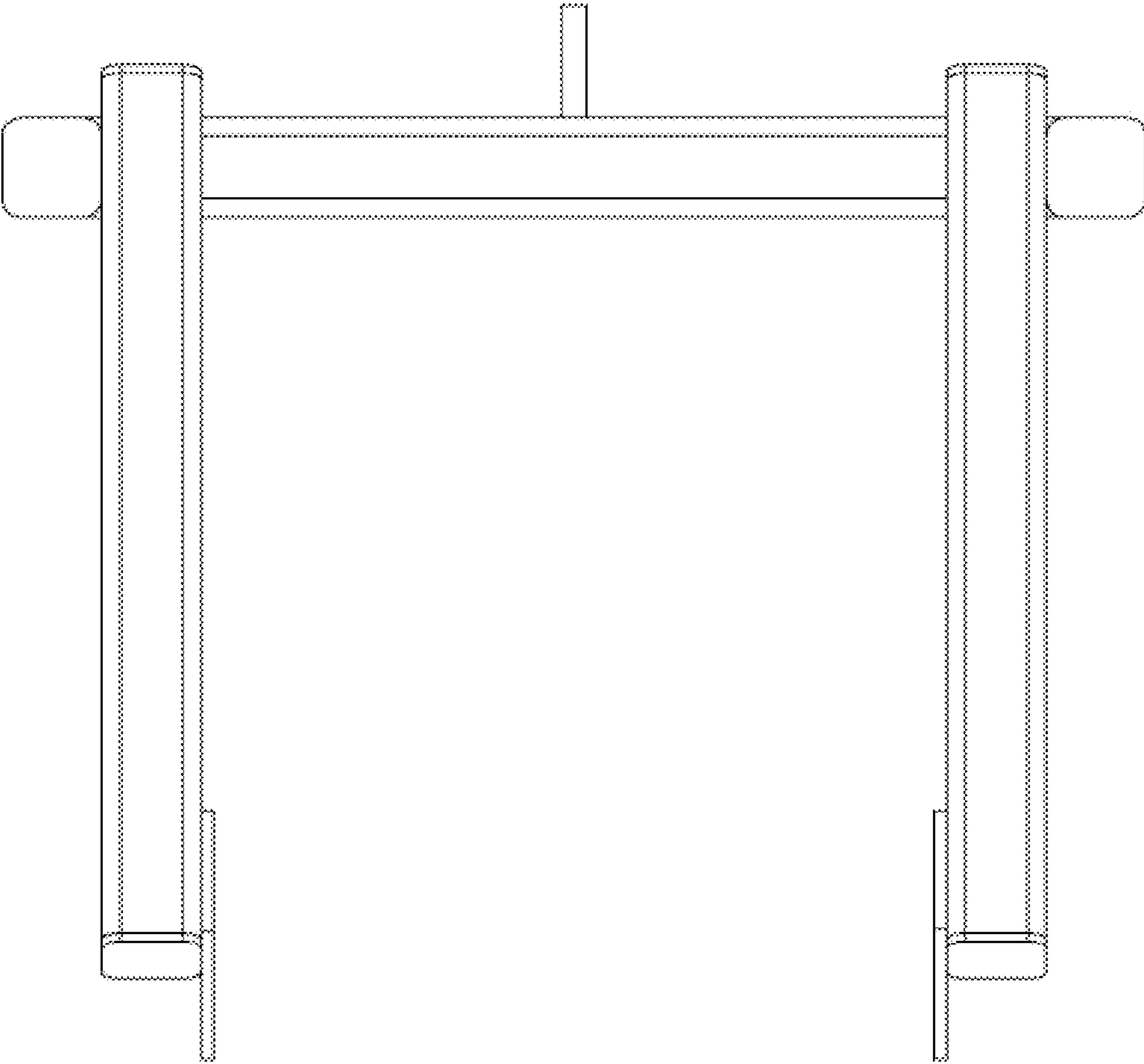


Fig. 2

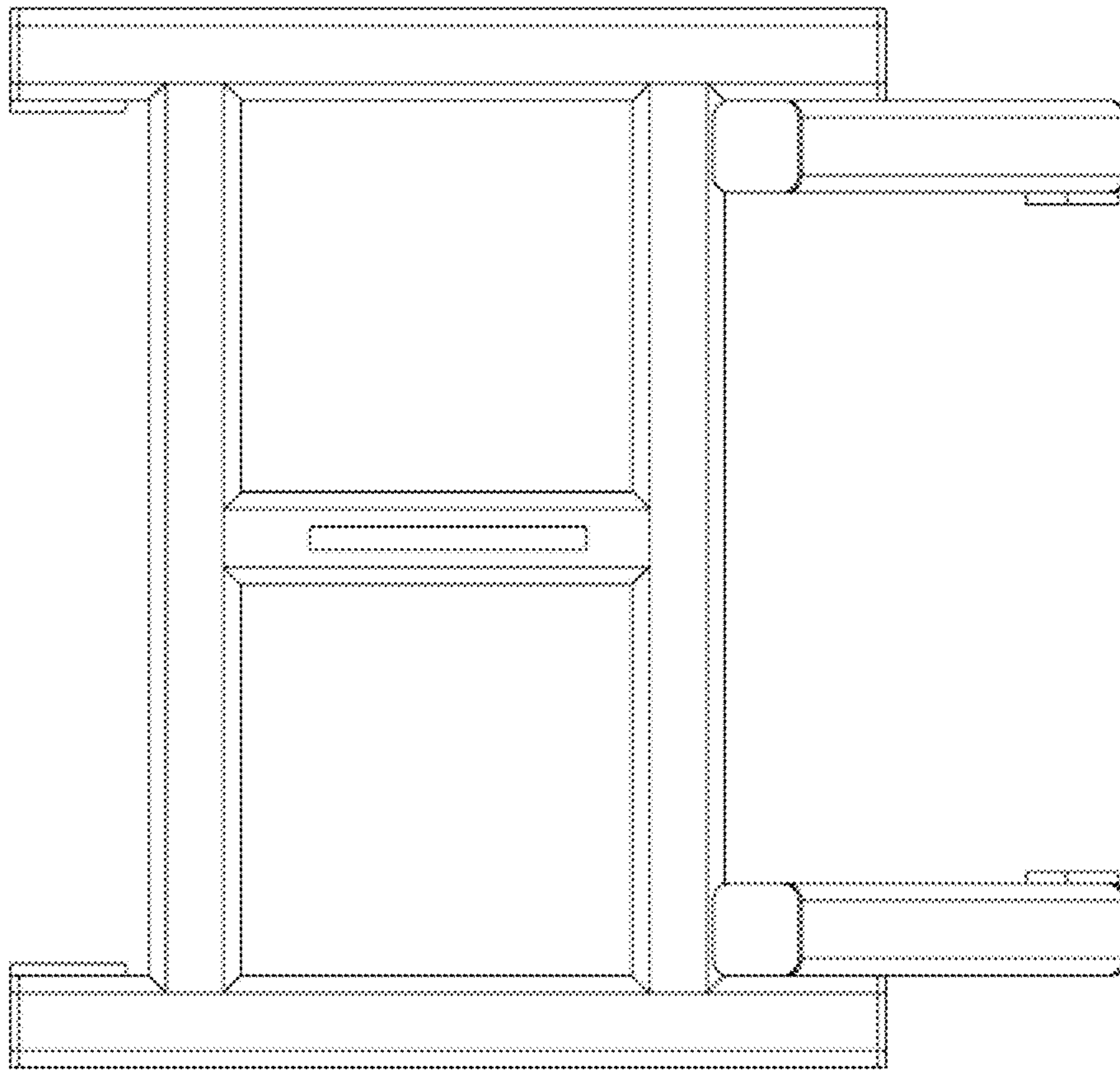


Fig. 3

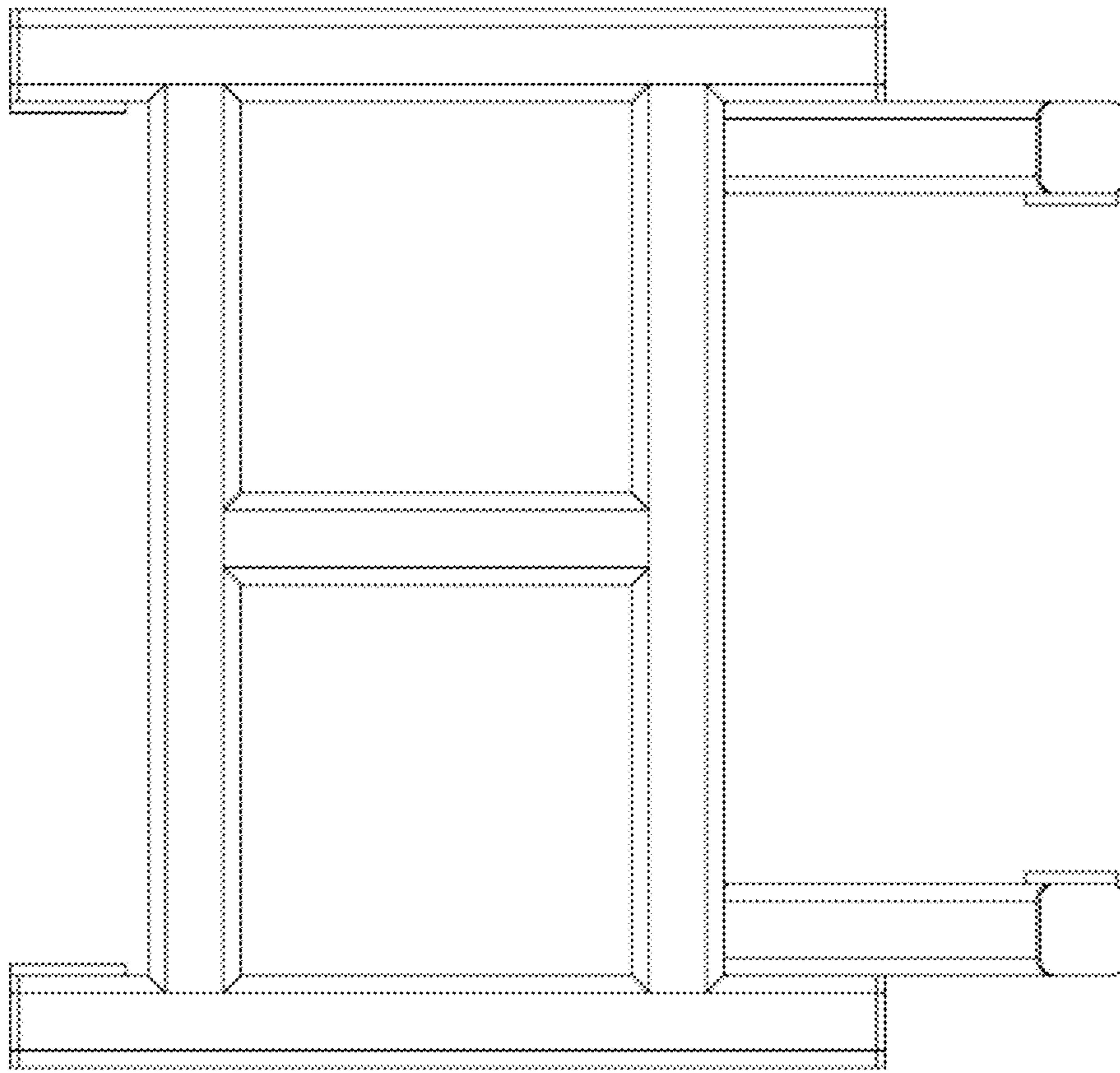


Fig. 4

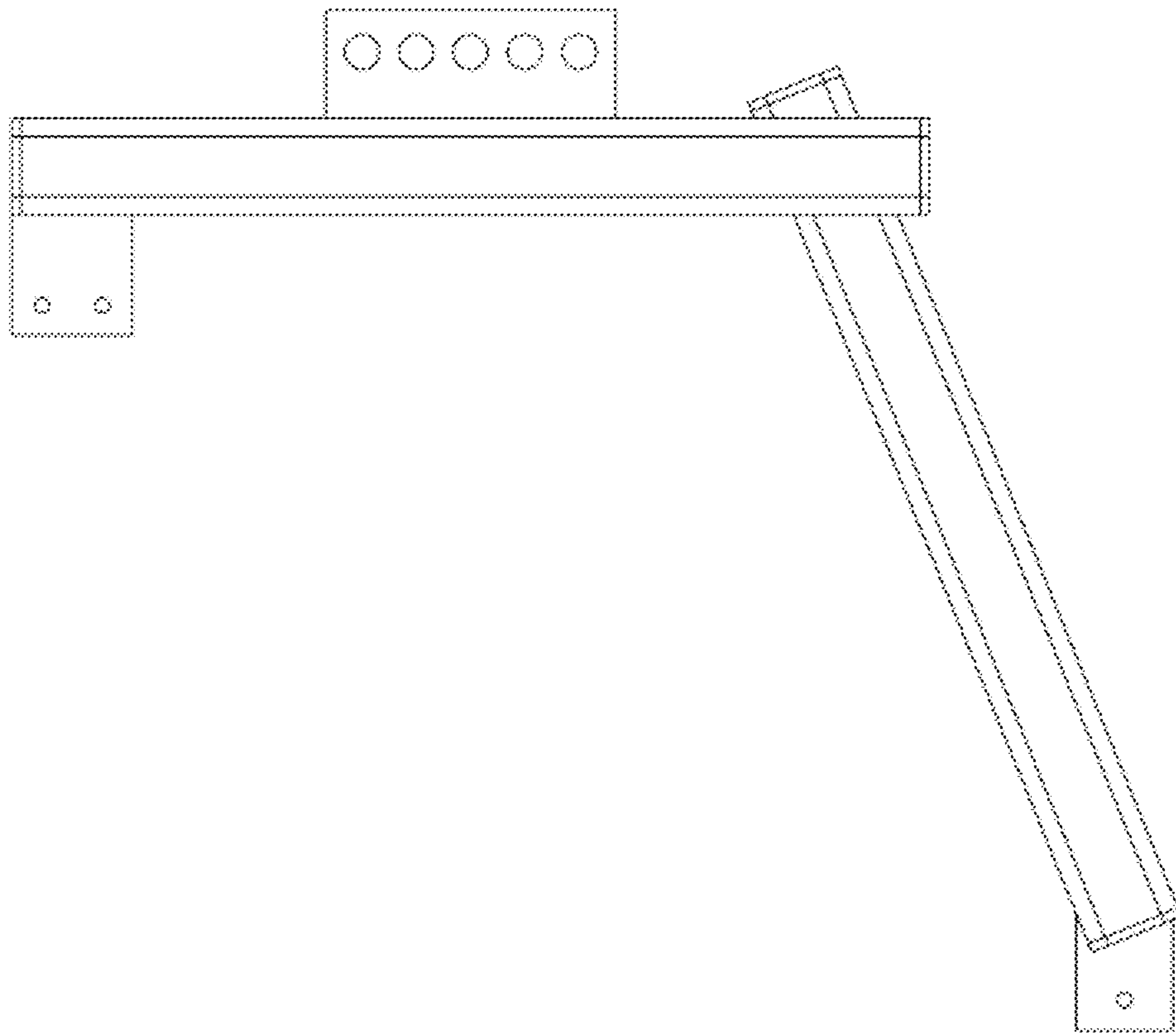


Fig. 5

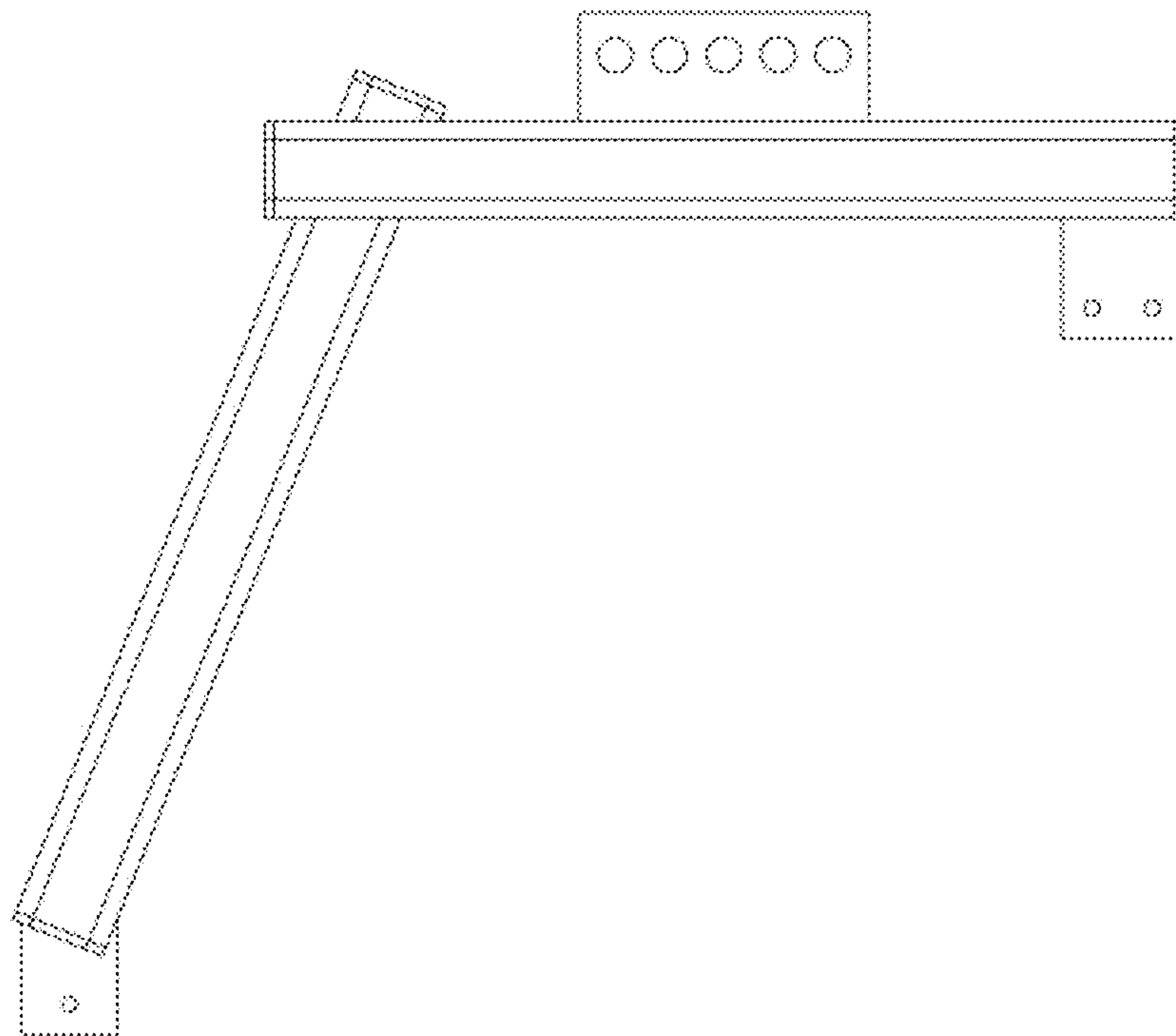


Fig. 6

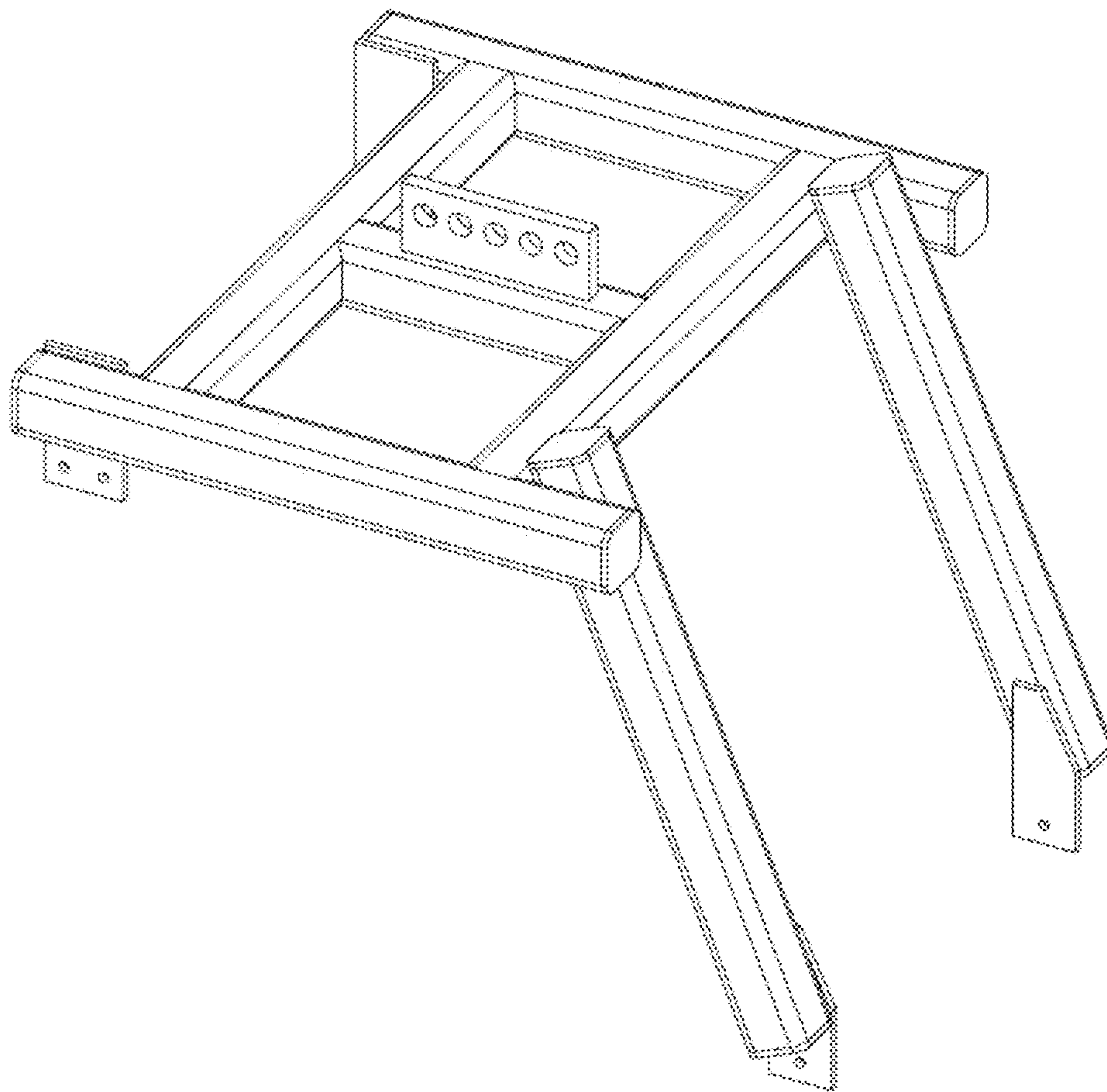


Fig. 7

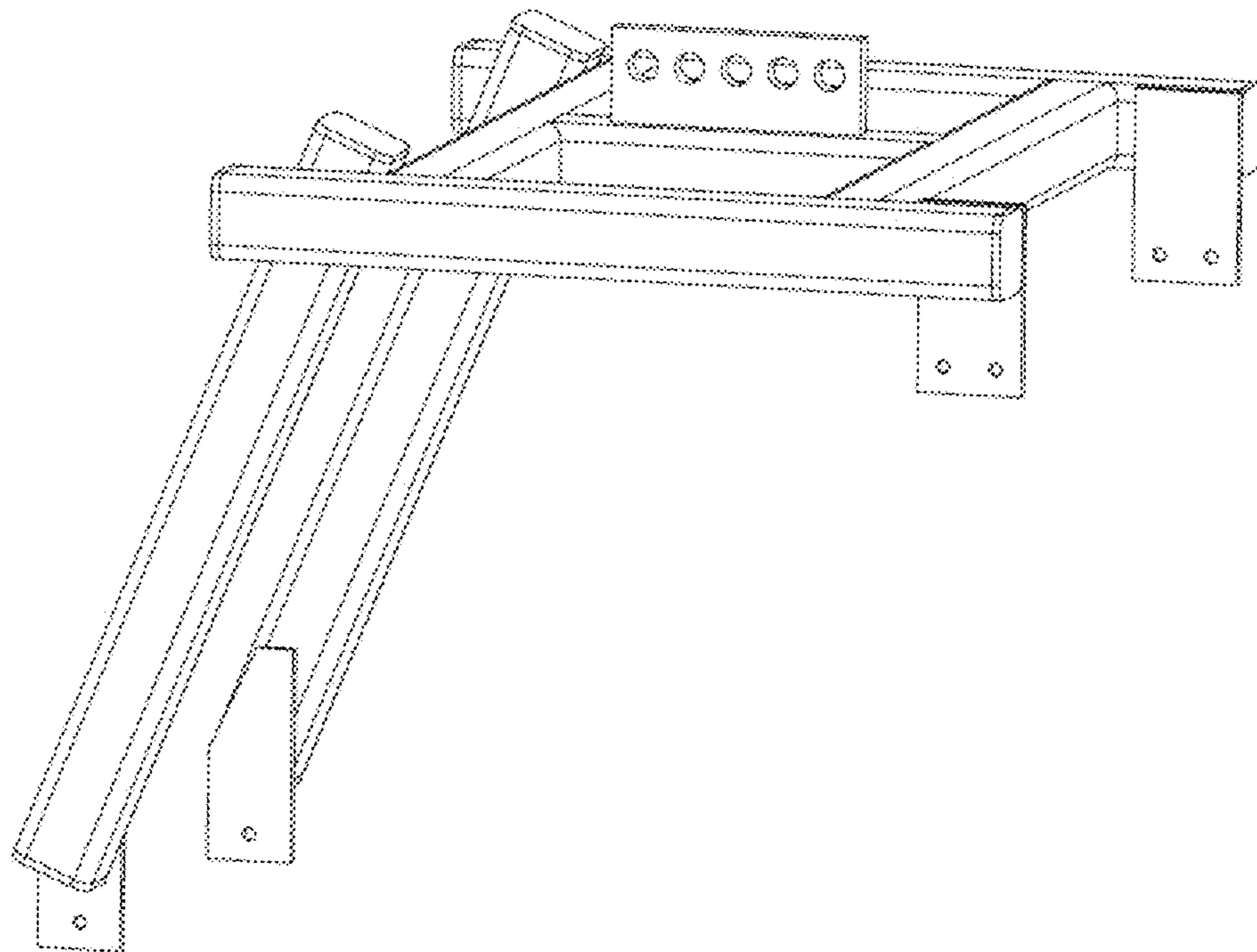


Fig. 8

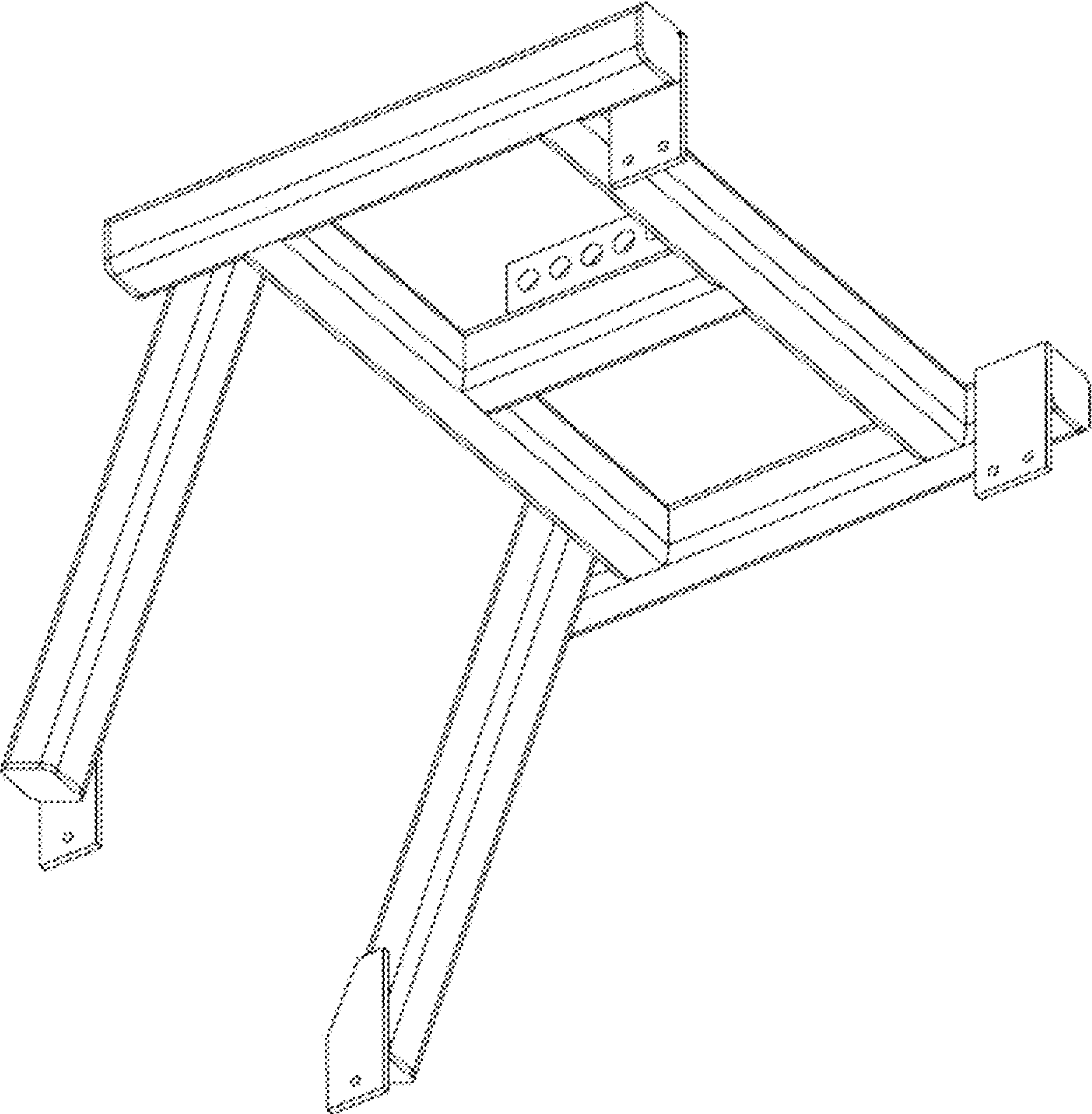


Fig. 9