



US00D954382S

(12) **United States Design Patent**
Chen et al.

(10) **Patent No.:** **US D954,382 S**
(45) **Date of Patent:** **** Jun. 7, 2022**

- (54) **GARDEN POT MOVER**
- (71) Applicant: **Zhengyi Chen**, Dongguan (CN)
- (72) Inventors: **Zhengyi Chen**, Dongguan (CN);
Siyan Shen, Guangzhou (CN)
- (73) Assignee: **Zhengyi Chen**, Dongguan (CN)
- (**) Term: **15 Years**
- (21) Appl. No.: **29/807,483**
- (22) Filed: **Sep. 13, 2021**
- (51) **LOC (13) Cl.** **12-02**
- (52) **U.S. Cl.**
USPC **D34/22**
- (58) **Field of Classification Search**
USPC D34/12-27
CPC B62B 3/02; B62B 3/002; B62B 3/006;
B62B 3/10; B62B 3/106; B62B 3/04;
B62B 1/10; B62B 1/264; B62B 1/14;
B62B 1/12; B62B 1/047; B62B 1/04;
B62B 5/002
See application file for complete search history.

D461,031 S	7/2002	Thorp	
D481,511 S *	10/2003	Lee	D34/24
D570,069 S *	5/2008	Leonard	D34/24
D571,071 S *	6/2008	de Campos	D34/17
D600,422 S *	9/2009	Wu	D34/12
D787,147 S *	5/2017	Petrovich	D34/17
D799,139 S	10/2017	Lee	
D809,237 S *	1/2018	Clement	D34/18

* cited by examiner

Primary Examiner — Cynthia Ramirez

(57) **CLAIM**

The ornamental design for a garden pot mover, as shown and described.

DESCRIPTION

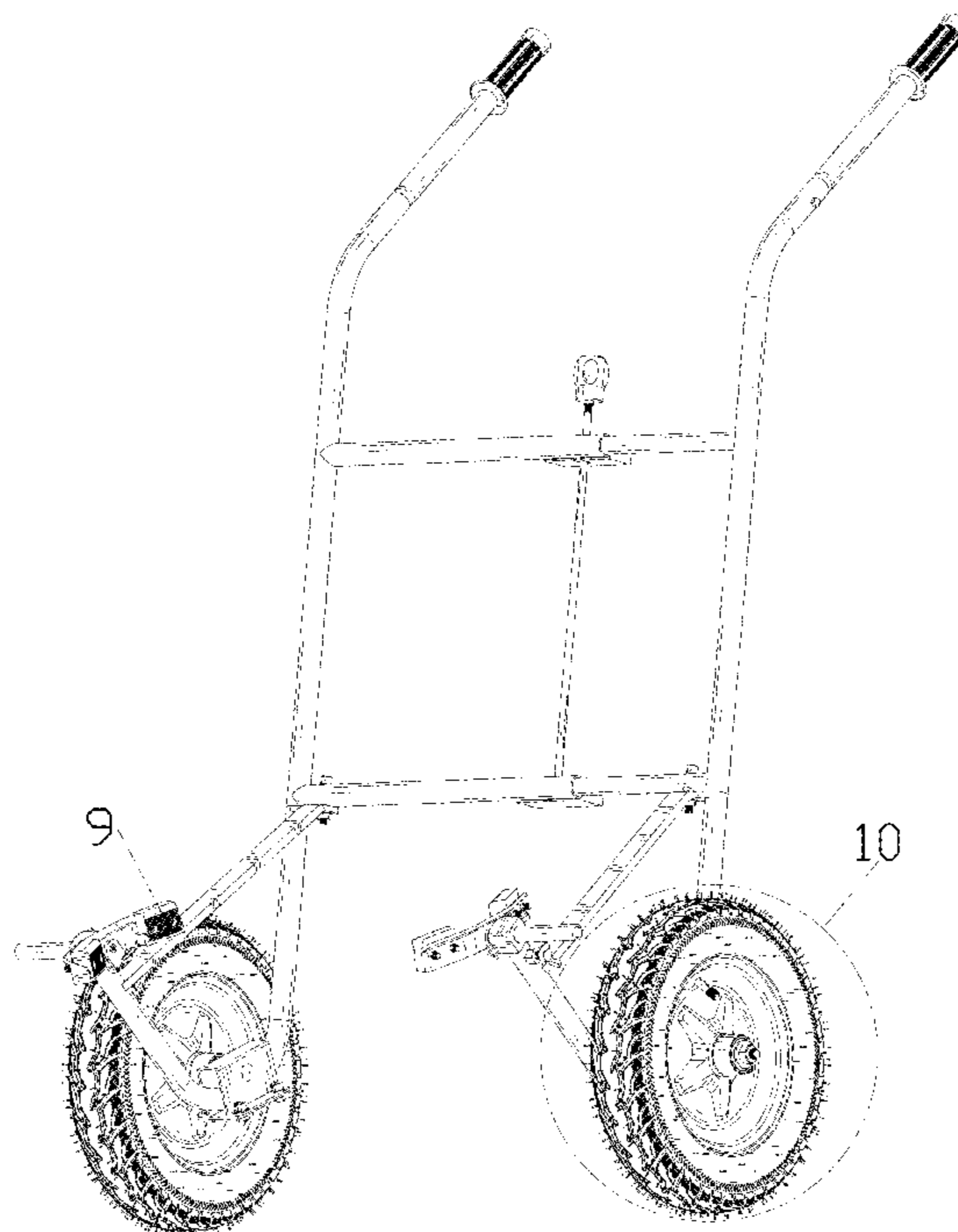
FIG. 1 is a perspective view of a garden pot mover showing our new design;
 FIG. 2 is another perspective view thereof;
 FIG. 3 is a front elevational view thereof;
 FIG. 4 is a rear elevational view thereof;
 FIG. 5 is a left side elevational view thereof;
 FIG. 6 is a right side elevational view thereof;
 FIG. 7 is a top plan view thereof;
 FIG. 8 is a bottom plan view thereof;
 FIG. 9 is an enlarged view of portion 9 shown in FIG. 1;
 FIG. 10 is an enlarged view of portion 10 shown in FIG. 1;
 FIG. 11 is an enlarged view of portion 11 shown in FIG. 2;
 FIG. 12 is an enlarged view of portion 12 shown in FIG. 2;
 and,
 FIG. 13 is an enlarged view of portion 13 shown in FIG. 3.
 The dash-dash broken lines in the drawings depict portions of the garden pot mover that form no part of the claimed design. The dot-dash broken lines represent boundaries of the enlarged portions and form no part of the claimed design.

(56) **References Cited**

U.S. PATENT DOCUMENTS

D210,202 S *	2/1968	Stuart	D34/27
3,655,212 A *	4/1972	Krass	B62B 3/04 280/47.28
4,493,492 A *	1/1985	Balabanova	B62B 3/10 15/260
4,653,765 A *	3/1987	Smalley	B62B 3/104 280/47.27
D367,251 S *	2/1996	Ahlberg	D34/17

1 Claim, 13 Drawing Sheets



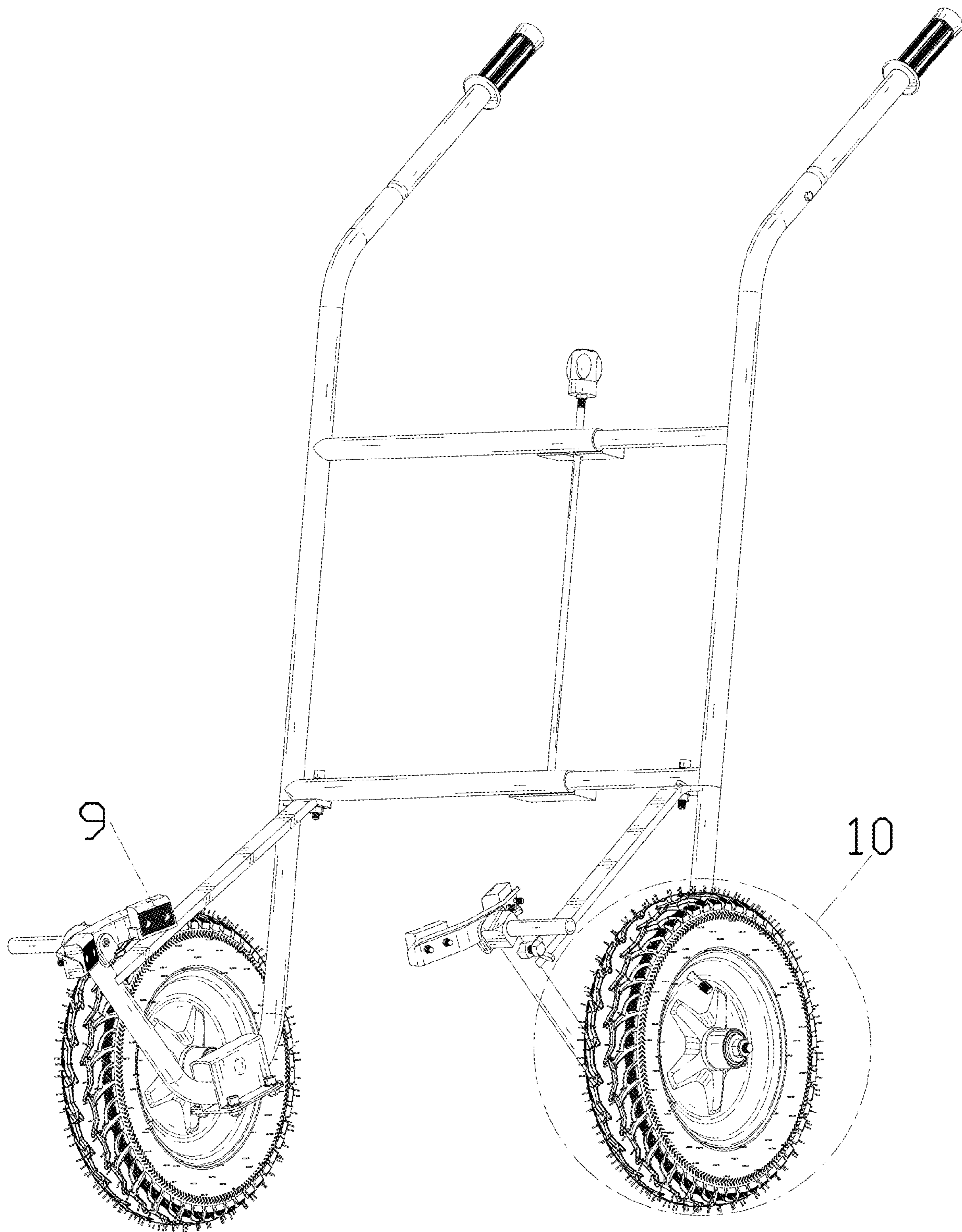


FIG. 1

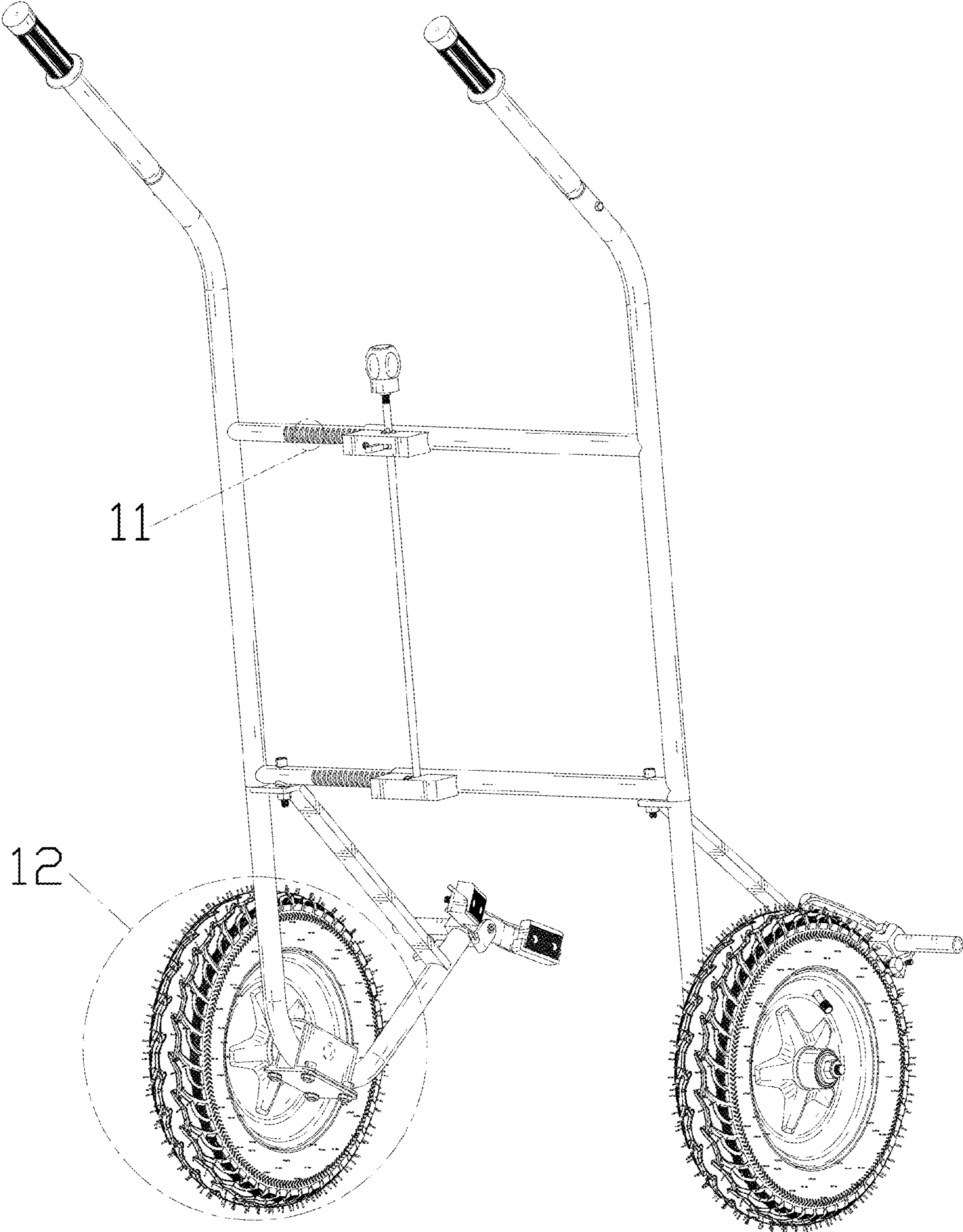


FIG. 2

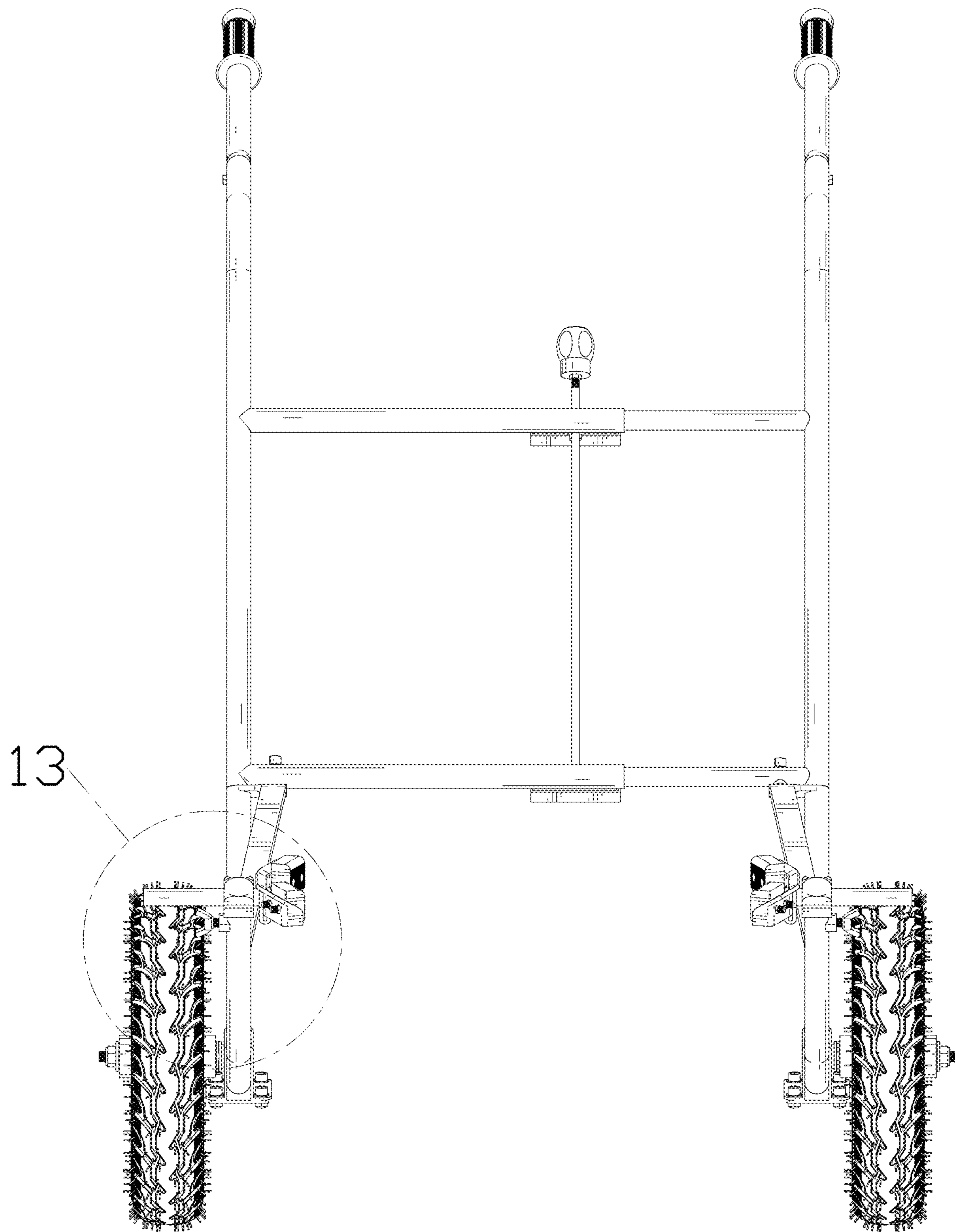


FIG. 3

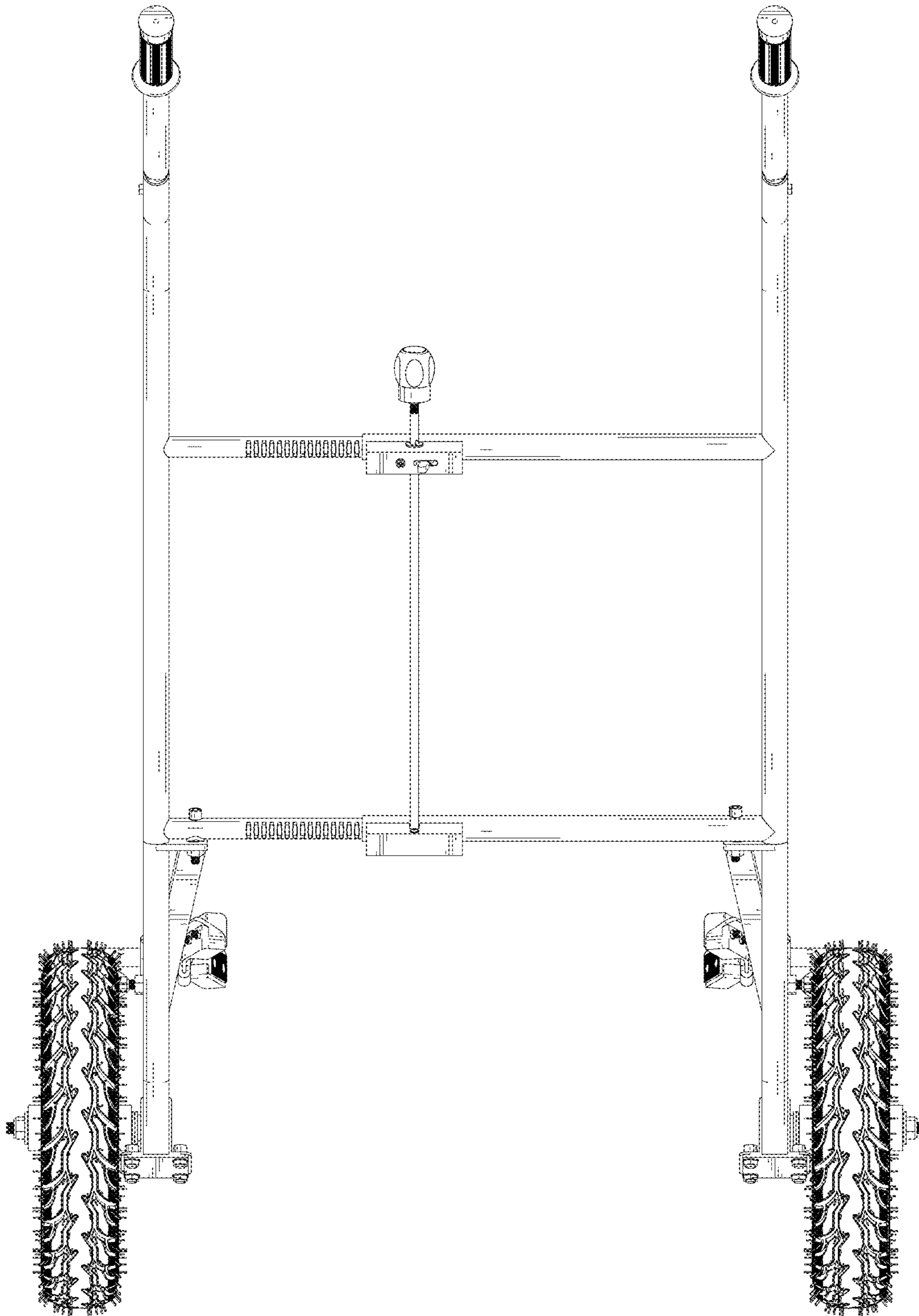


FIG. 4



FIG. 5

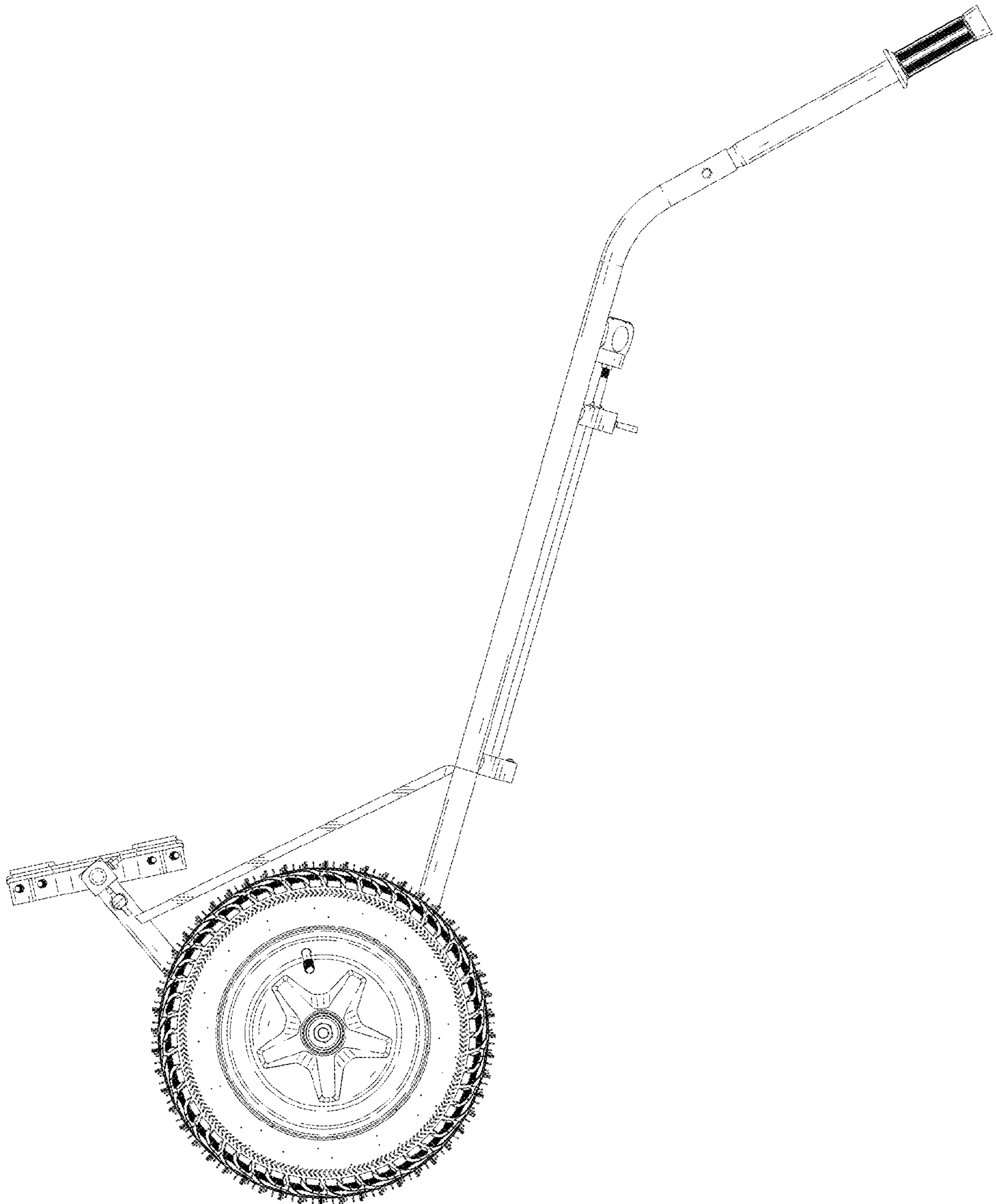


FIG. 6

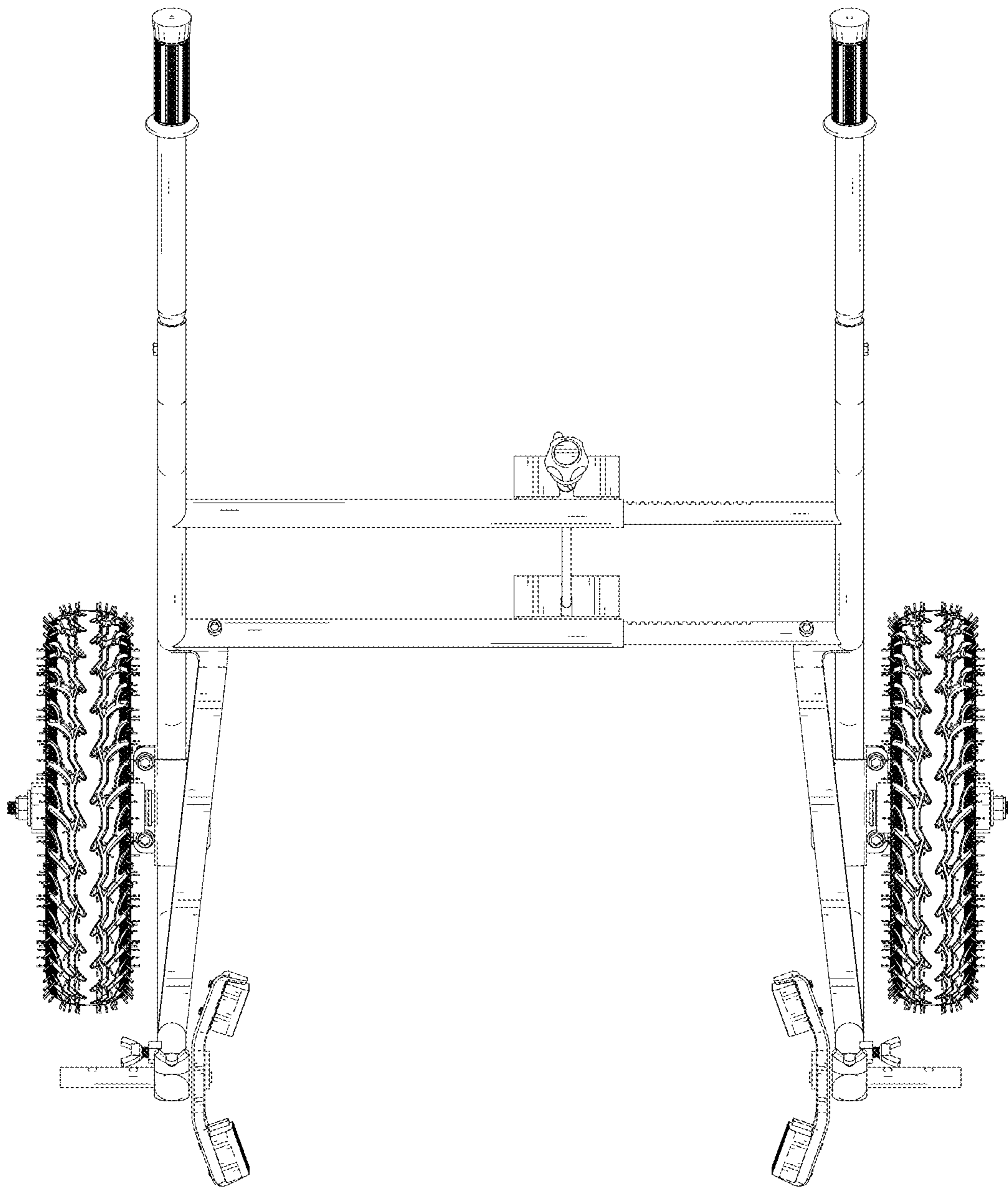


FIG. 7

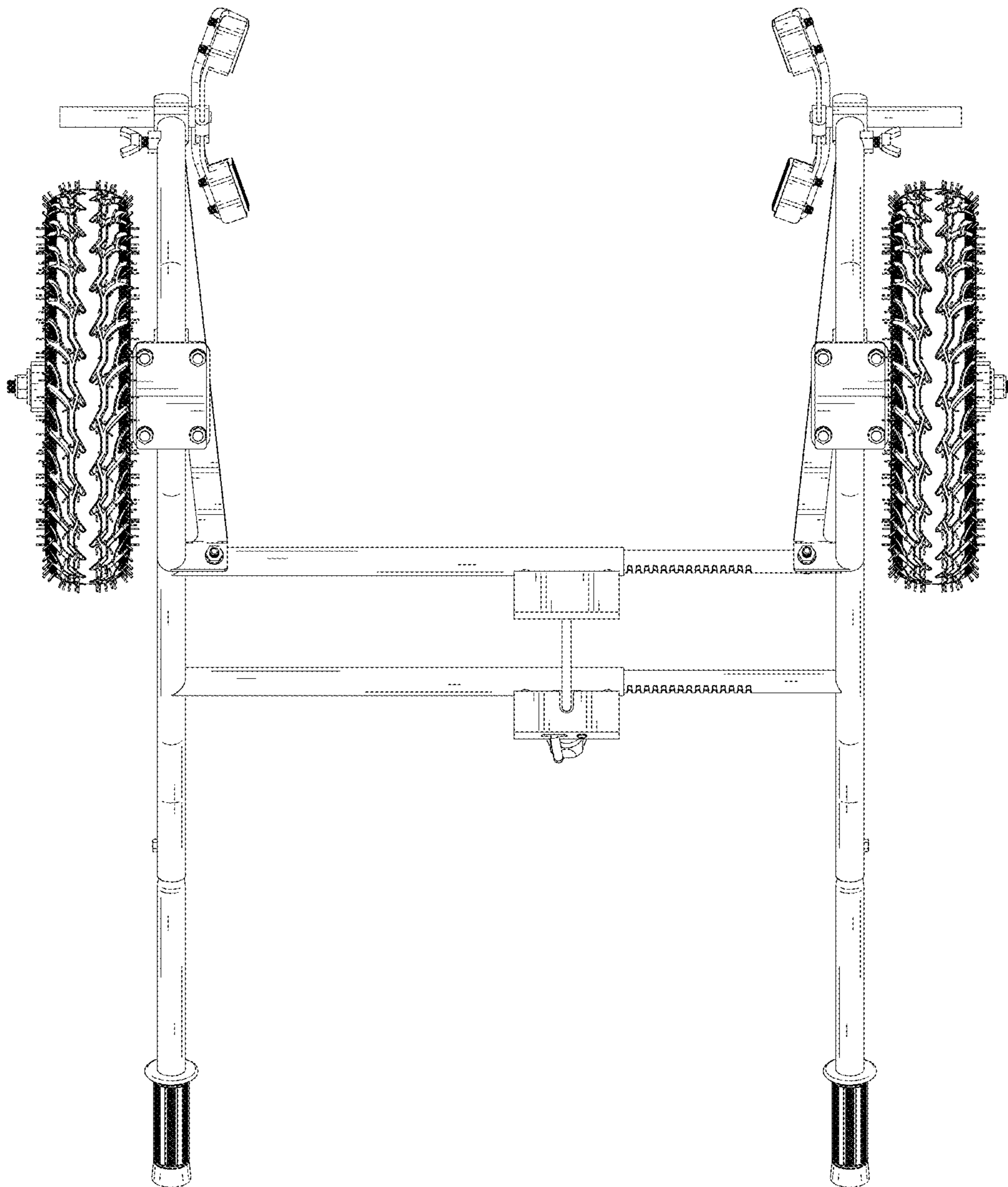


FIG. 8

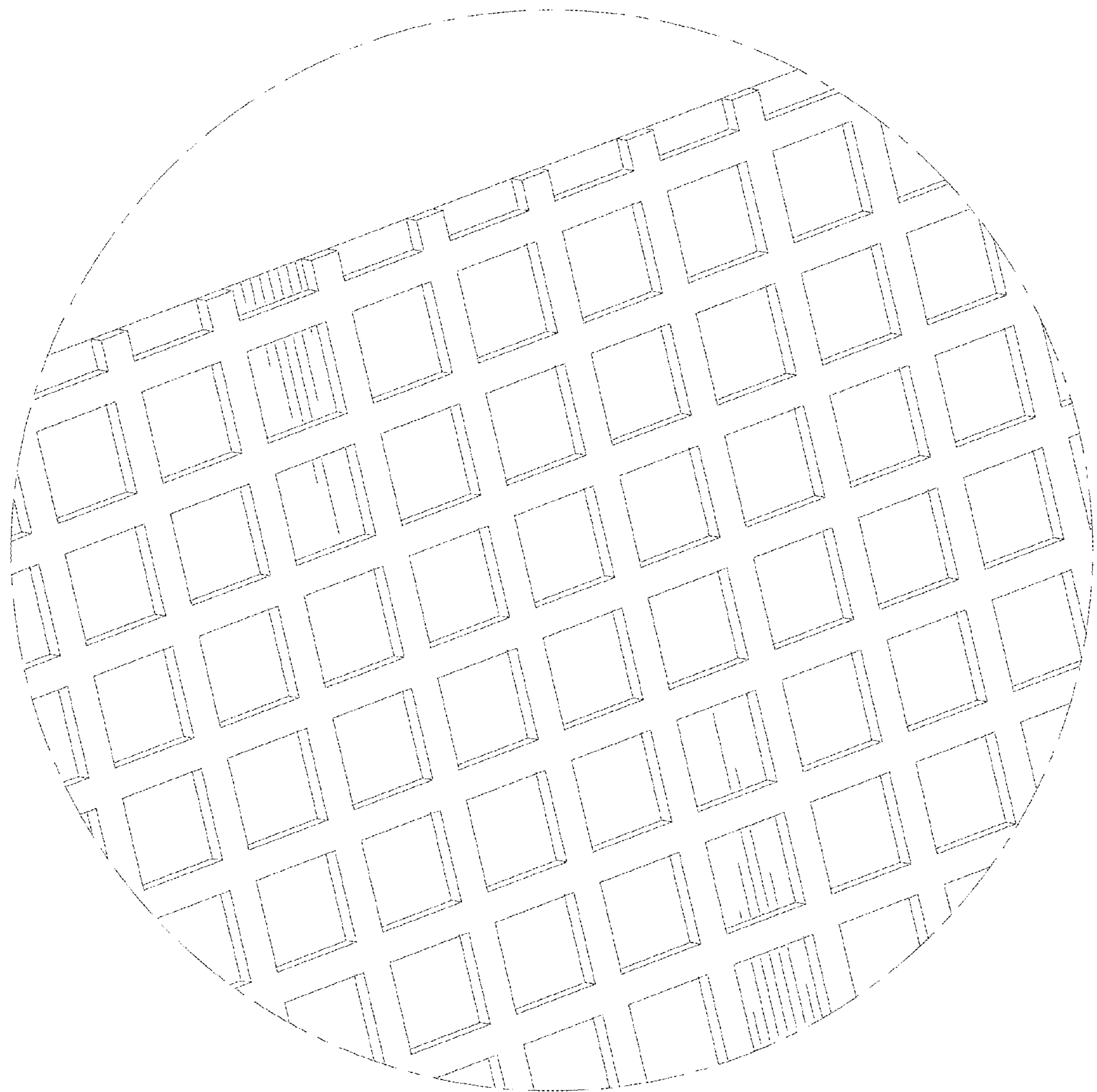


FIG. 9

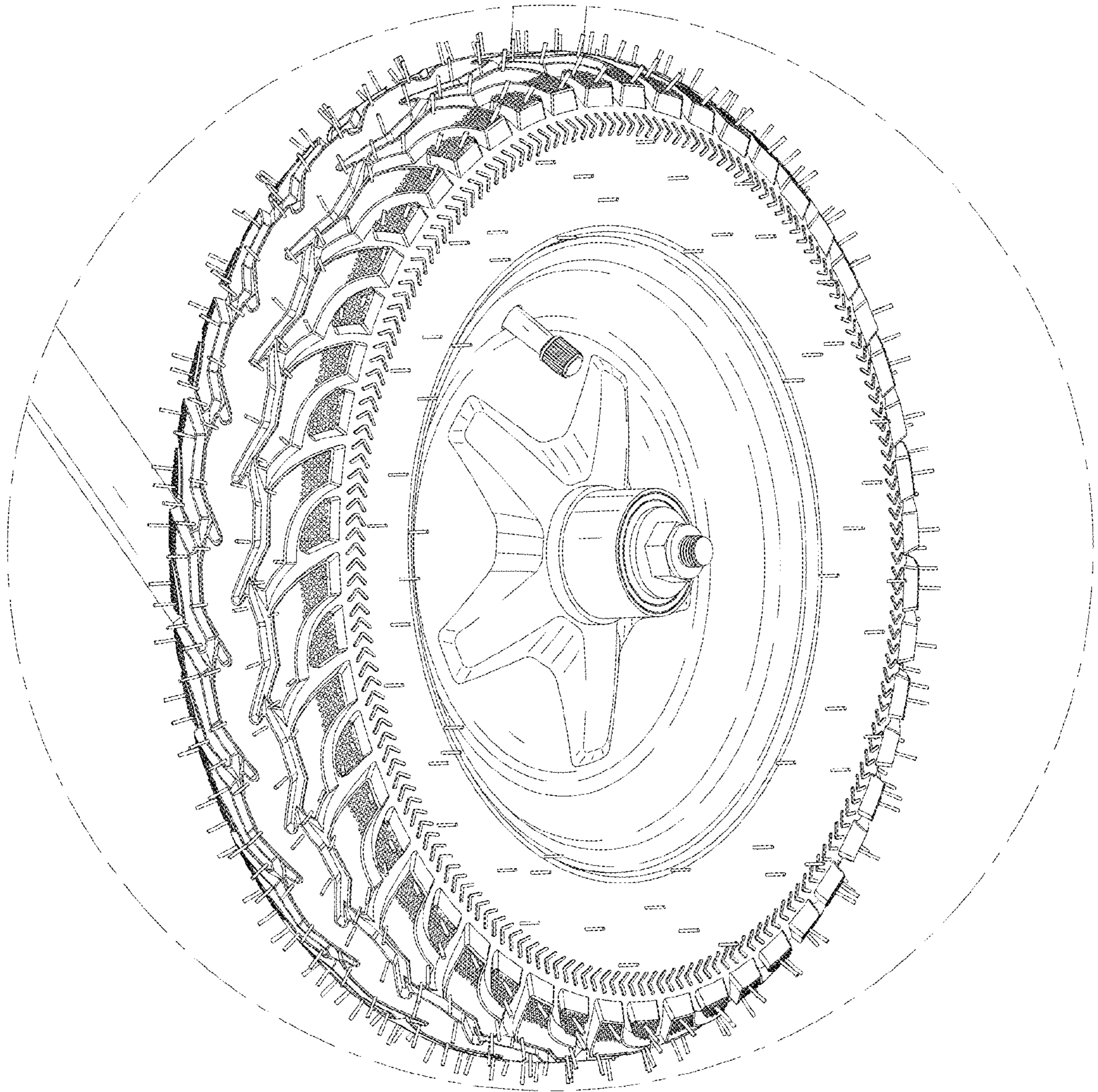


FIG. 10

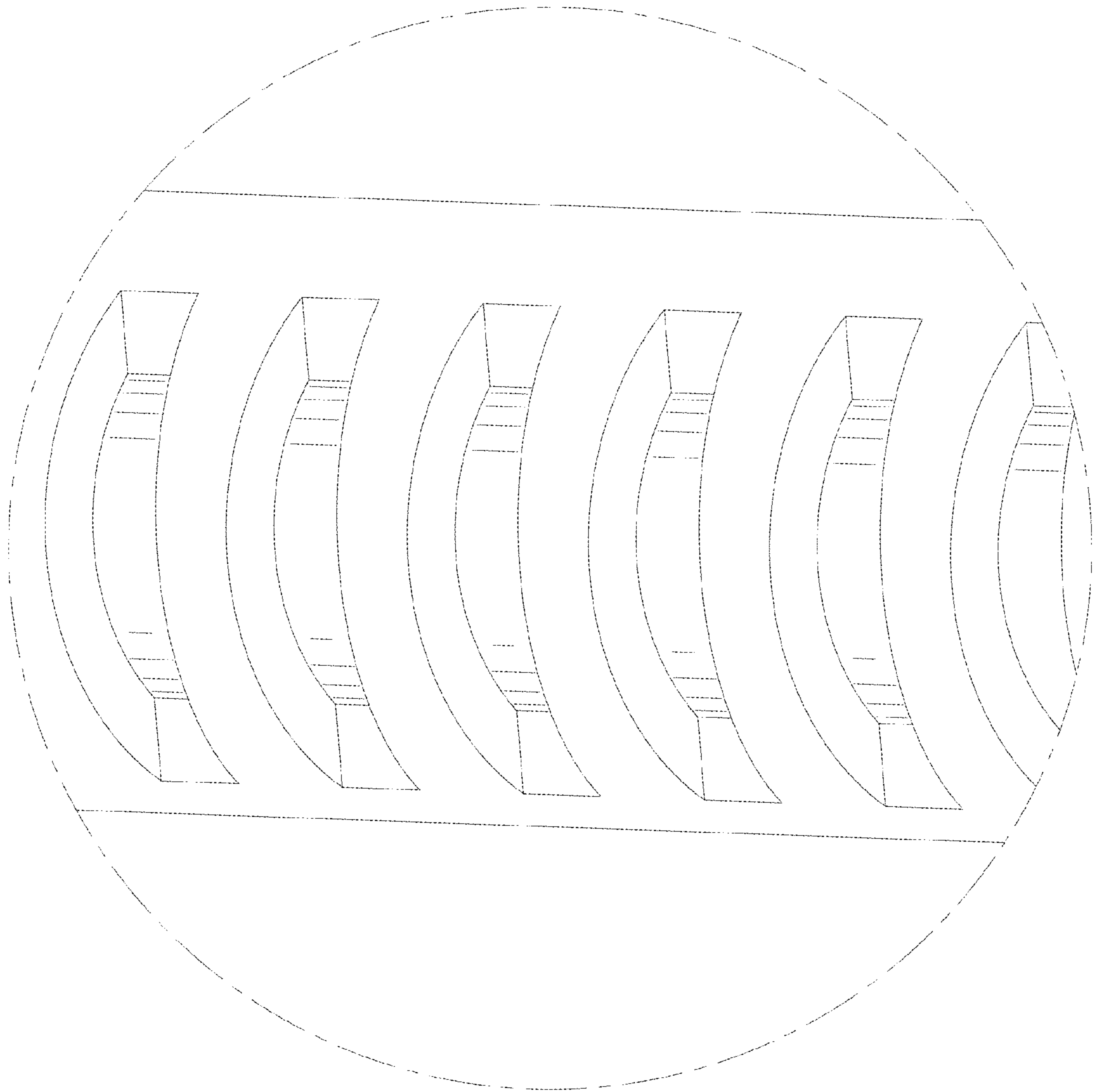


FIG. 11

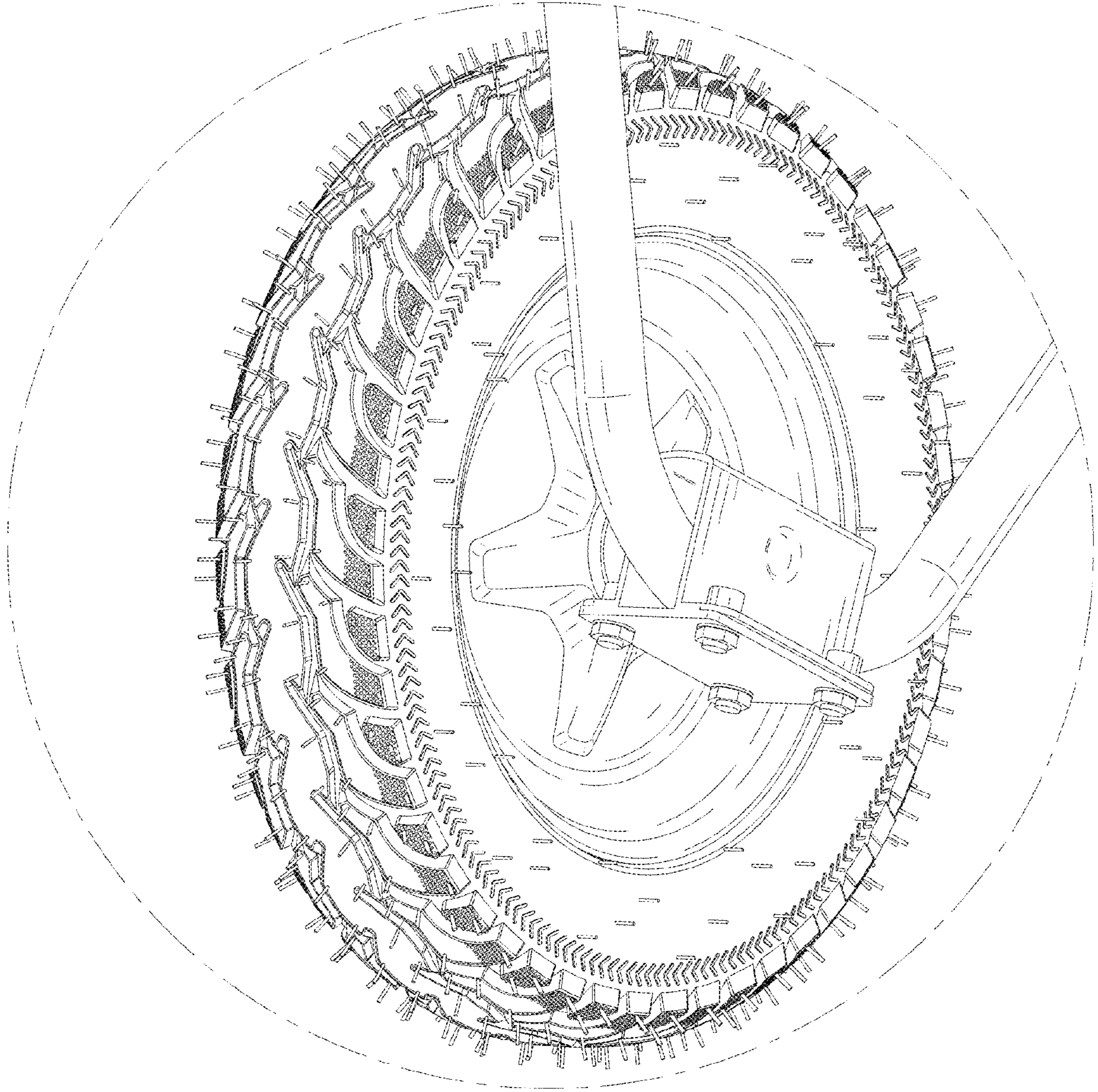


FIG. 12

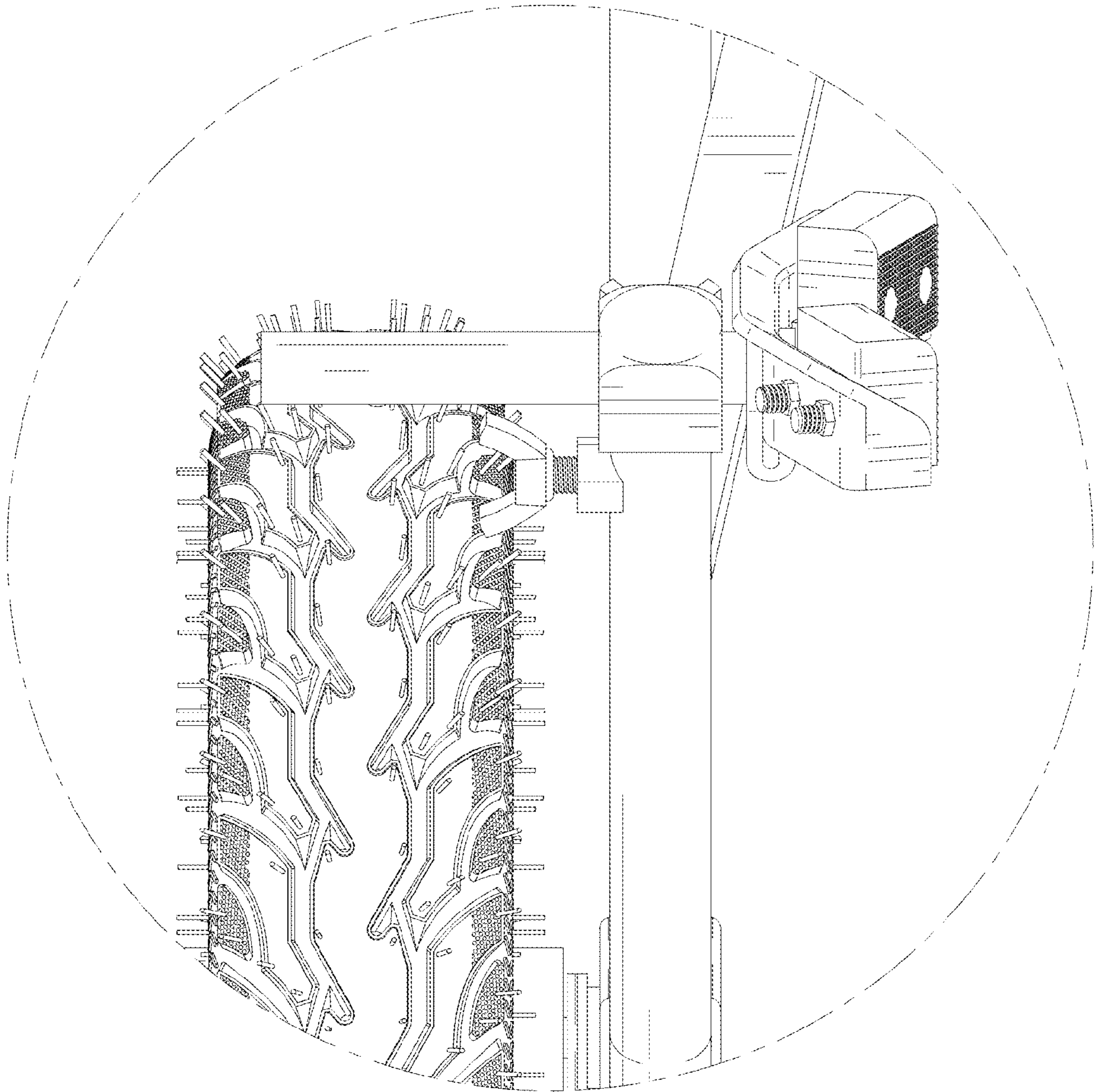


FIG. 13