



US00D954381S

(12) **United States Design Patent** (10) **Patent No.:** **US D954,381 S**
Stewart-Miller et al. (45) **Date of Patent:** **** Jun. 7, 2022**

(54) **FOLDABLE GOLF TROLLEY**

OTHER PUBLICATIONS

(71) Applicants: **Jon Stewart-Miller**, Tuffley (GB);
David Funnell, Brockworth (GB);
Mark Stewart, Cheltenham (GB);
Duncan Stewart, Upleadon (GB)

US Trademark Registration No. 5902722; Logo Mark—S Stewartgolf
Dream Machines Filing date: Apr. 29, 2019 Registration date: Nov.
5, 2019.

(Continued)

(72) Inventors: **Jon Stewart-Miller**, Tuffley (GB);
David Funnell, Brockworth (GB);
Mark Stewart, Cheltenham (GB);
Duncan Stewart, Upleadon (GB)

Primary Examiner — Cynthia Ramirez
(74) *Attorney, Agent, or Firm* — Legalforce RAPC
Worldwide

(73) Assignee: **STEWART GOLF LLC**, Clearwater,
FL (US)

(57) **CLAIM**

The ornamental design for a foldable golf trolley, as shown
and described.

(**) Term: **15 Years**

(21) Appl. No.: **29/738,776**

(22) Filed: **Jun. 19, 2020**

DESCRIPTION

(51) **LOC (13) Cl.** **12-13**

(52) **U.S. Cl.**
USPC **D34/15**

(58) **Field of Classification Search**
USPC D34/12, 14, 15, 17, 19, 20, 21, 25
CPC .. B62B 3/00; B62B 3/02; B62B 3/002; B62B
3/14; B62B 3/12; B62B 3/005; B62B
1/12

See application file for complete search history.

FIG. 1 is a front left side perspective view for a foldable golf trolley, showing our new design in an open configuration; FIG. 2 is a rear left side perspective view of FIG. 1 thereof; FIG. 3 is a front elevational view of FIG. 1 thereof; FIG. 4 is a rear elevational view of FIG. 1 thereof; FIG. 5 is a left side perspective view of FIG. 1 thereof, the right-side perspective view being a mirror image; FIG. 6 is a top left side perspective view of the foldable golf trolley of FIG. 1, in the folded configuration, without the remote handset thereof; FIG. 7 is a front elevational view of FIG. 6 thereof; FIG. 8 is a rear elevational view of FIG. 6 thereof; FIG. 9 is a left side perspective view of FIG. 6 thereof, the right-side perspective view being a mirror image; FIG. 10 is a top plan view of FIG. 6 thereof; and, FIG. 11 is a bottom plan view of FIG. 6 thereof.

The broken lines indicate portions of the foldable golf trolley, which form no part of the claimed design. The remote shown grayed out in the figures and surrounded by broken lines show environment and forms no part of the claimed design.

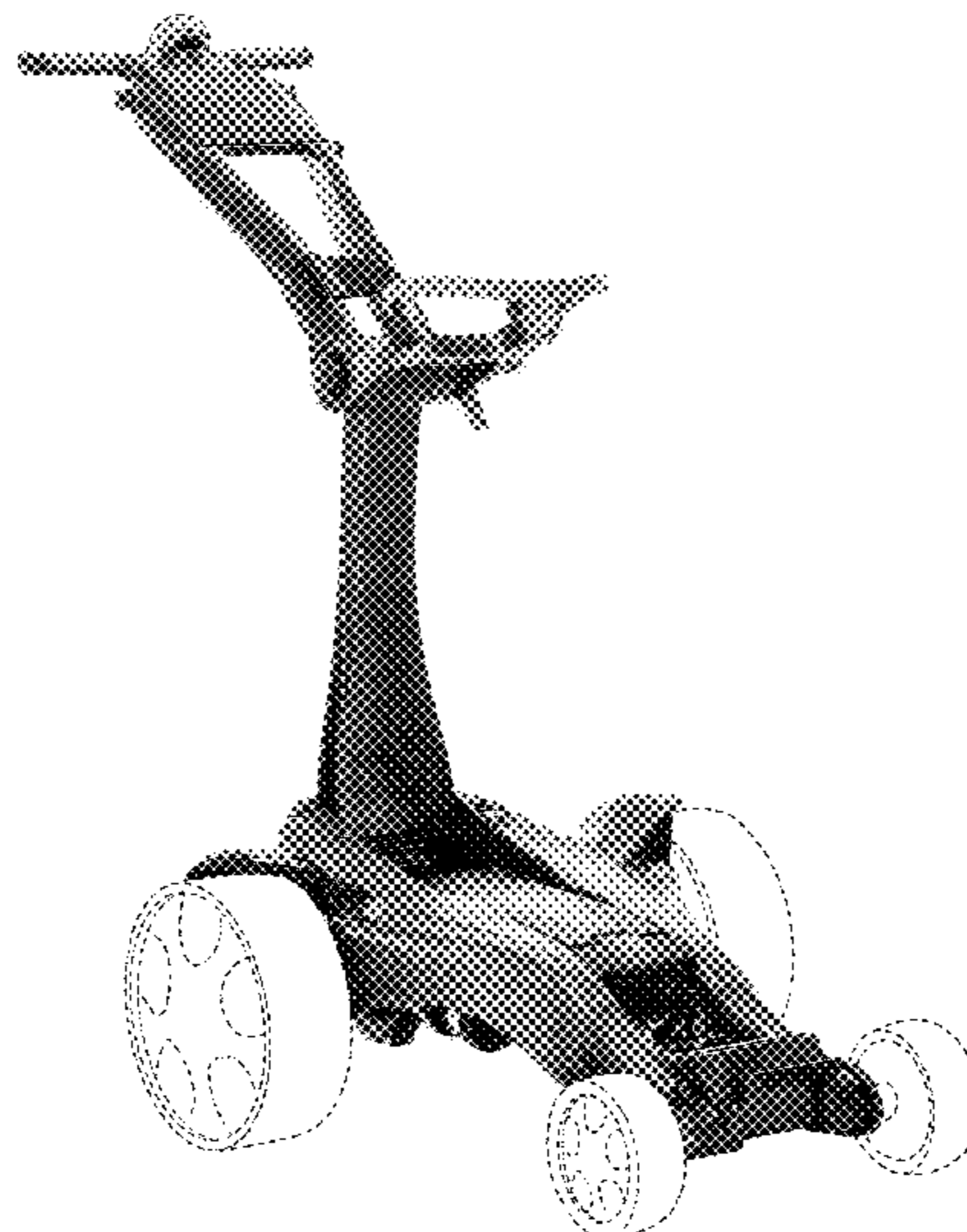
(56) **References Cited**

U.S. PATENT DOCUMENTS

4,869,526 A	9/1989	Blake	
D586,522 S *	2/2009	Liao	D34/15
D596,365 S	7/2009	Reimers et al.	
D629,993 S *	12/2010	Liao	D34/15
D629,994 S *	12/2010	Liao	D34/15
D632,040 S *	2/2011	Liao	D34/15
D632,449 S *	2/2011	Liao	D34/15
D634,913 S *	3/2011	Xie	D34/15
D647,679 S *	10/2011	Liao	D34/15
D648,913 S	11/2011	Fung	

(Continued)

1 Claim, 11 Drawing Sheets



(56)

References Cited

U.S. PATENT DOCUMENTS

D649,731	S *	11/2011	Wang	D34/15
D657,522	S *	4/2012	Liao	B62B 3/02 D34/15
D657,523	S	4/2012	Gong		
D657,524	S *	4/2012	Liao	D34/15
D657,929	S	4/2012	Gong		
D697,683	S	1/2014	du Toit		
D704,410	S	5/2014	Reimers et al.		
9,079,598	B1	7/2015	Oreyang		
D786,523	S	5/2017	Mitchell et al.		
D812,333	S	3/2018	Gong et al.		
D846,221	S	4/2019	Bom		
D870,408	S *	12/2019	Thompson	B62B 3/12 D34/15
D904,713	S *	12/2020	Yang	B62B 3/12 D34/12
2009/0309334	A1 *	12/2009	Liao	B62B 3/02 280/639
2010/0059948	A1 *	3/2010	Liao	B62B 3/02 280/42
2010/0225093	A1 *	9/2010	Lin	B62B 3/12 280/642
2011/0175331	A1 *	7/2011	Zhang	B62B 3/12 280/651
2011/0241314	A1 *	10/2011	Liao	B62B 3/02 280/651
2011/0241315	A1 *	10/2011	Liao	B62B 3/02 280/651
2014/0159348	A1	6/2014	Wu		
2019/0202487	A1 *	7/2019	Cheng	B62B 5/06
2021/0163051	A1 *	6/2021	Hild	B62B 5/04
2021/0261181	A1 *	8/2021	Stewart	B62B 3/106

OTHER PUBLICATIONS

US Trademark Registration No. 5902890; Mark—Stewartgolf Filing date: Apr. 30, 2019 Registration date: Nov. 5, 2019.

“R1-S Push” by Stewartgolf, Found Online On [Jun. 1, 2020] https://cdn.shopify.com/s/files/1/0063/7950/3714/products/4104594c2b2b8e085dc02fe116249ff7_1024x1024.jpg?v=1598533985.

“R1-S Push Bundle” by Stewartgolf, Found Online On [Jun. 1, 2020] https://cdn.shopify.com/s/files/1/0063/7950/3714/products/269_source_1463061875_3941ae15-46a4-4132-b1e6-0e9103f08b68_1024x1024.jpg?v=1594973555.

“X9 Remote” by Stewartgolf, Found Online On [Jun. 1, 2020] https://cdn.shopify.com/s/files/1/0063/7950/3714/products/33575fc0ca9d7365faac5860906b9867_4ff534d5-6898-45ab-91d7-bc4c1df0fcc_1024x1024.jpg?v=1580829353.

“ClicGear Golf Trolley” by Bhaseen Sports Pvt Ltd, Found Online On [Jun. 1, 2020] <https://3.imimg.com/data3/AL/PE/MY-5319501/clicgear-golf-trolley-500x500.png>.

“New M7 Remote Electric Trolley”, by Motocaddy, Found Online On [Jul. 28, 2020] https://www.motocaddy.com/media/catalog/product/cache/342617673661f5fd482e9e28d502d5dd/t/r/trl008m7ul_large_1_1000x1000px.jpg.

“Zip X5 Electric Golf Caddy”, by MGI, Found Online On [Jul. 28, 2020] https://images-na.ssl-images-amazon.com/images/I/71-UYJtz0zL_AC_SL1500_.jpg.

“4 Wheels Golf Push Cart Easy Folding With Umbrella holder”, by Playeagle, Found Online On [Jul. 28, 2020] <https://i3.wp.com/ae01.alicdn.com/kf/H9b4d8f9a6c144b09abded9d1b4dec94dg/4-Wheels-Golf-Push-Cart-Easy-Folding-Black-Aluminum-alloy-With-Umbrella-holder-PLAYEAGLE-Golf-Trolley.jpg>.

“Four-wheeled trolley”, by Flip ‘n’ Go, Found Online On [Jul. 28, 2020] <https://www.golfalot.com/Portals/0/imagesblogs/axglo/flipngo/flipngo1730.jpg>.

“Golf Quad 4-Wheel Folding Golf Pull Push Trolley Black/Red”, by Caddymatic, Found Online On [Jul. 28, 2020] <https://i.ebayimg.com/images/g/cpwAAOSw7U9bWlaV/s-11600.jpg>.

“Golf Trolley 4 Wheel”, by Pathfinder, Found Online On [Jul. 28, 2020] <https://5.imimg.com/data5/IV/UD/FS/SELLER-16556866/pathfinder-golf-trolley-4-wheel-500x500.jpg>.

“Clicgear Model 8+” by Clicgear, Published in 2019 <https://www.clicgear.com/images/pushcarts/M8+/overview/pushcart-slide8.jpg>.

* cited by examiner

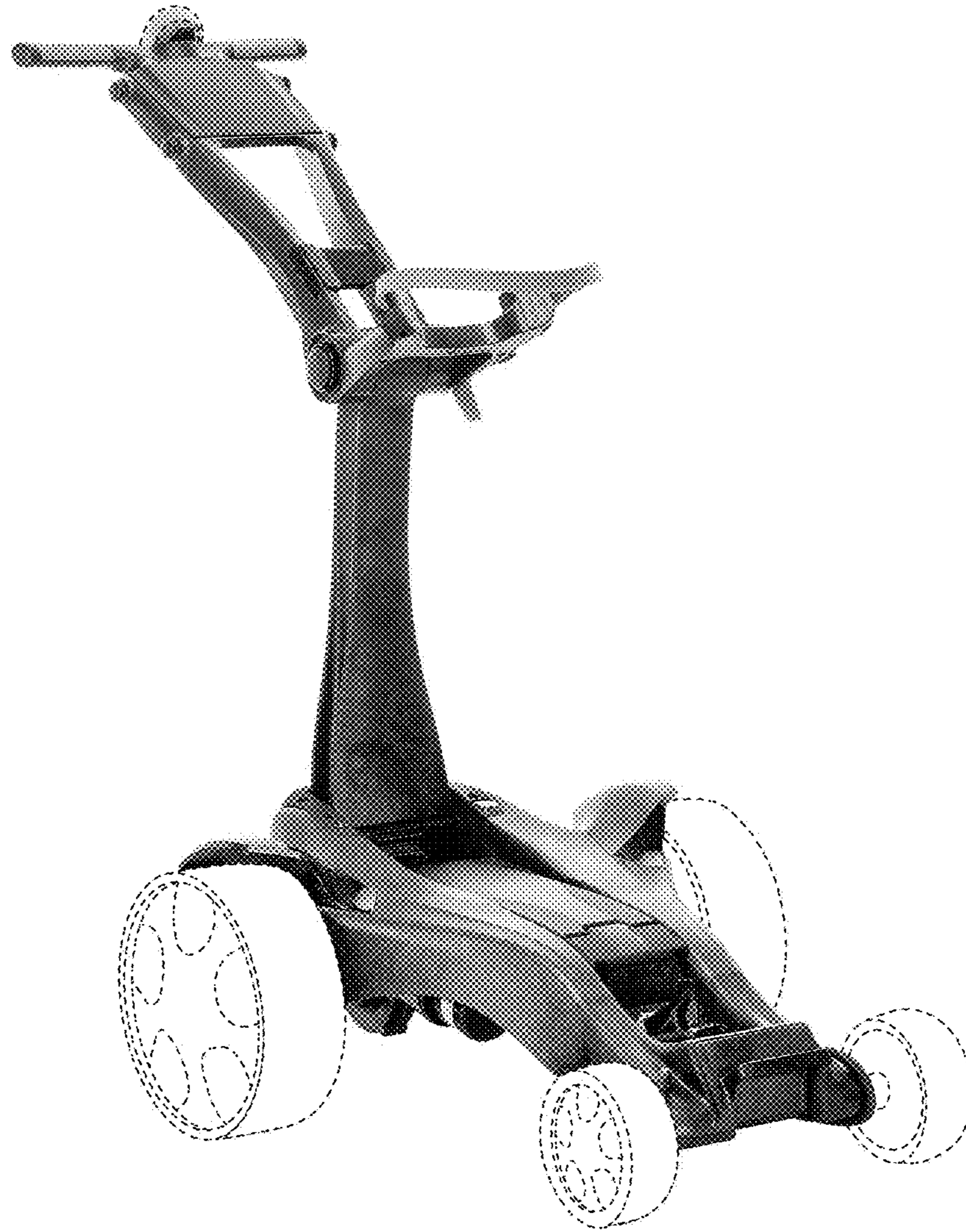


FIG. 1

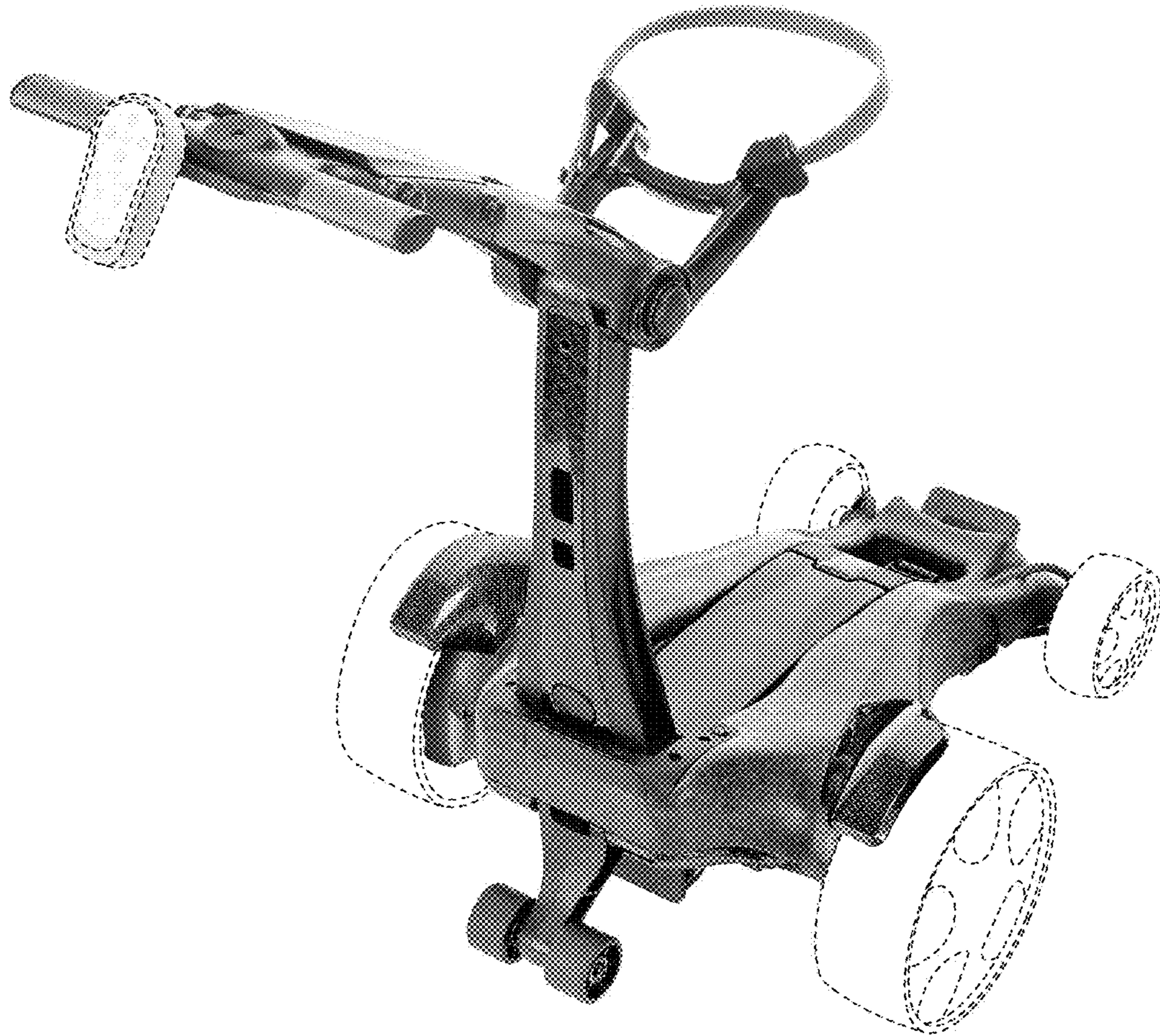


FIG. 2

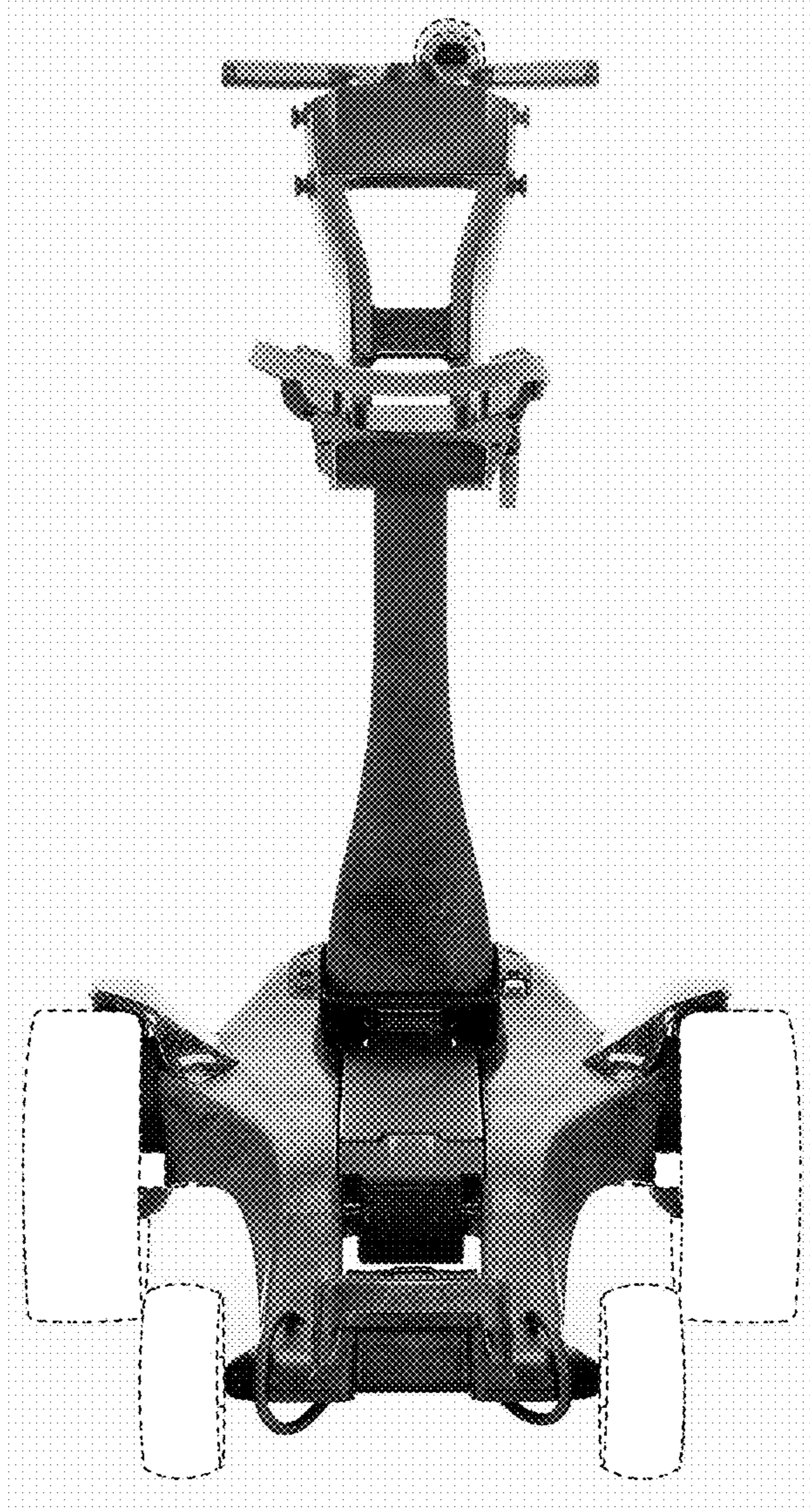


FIG. 3

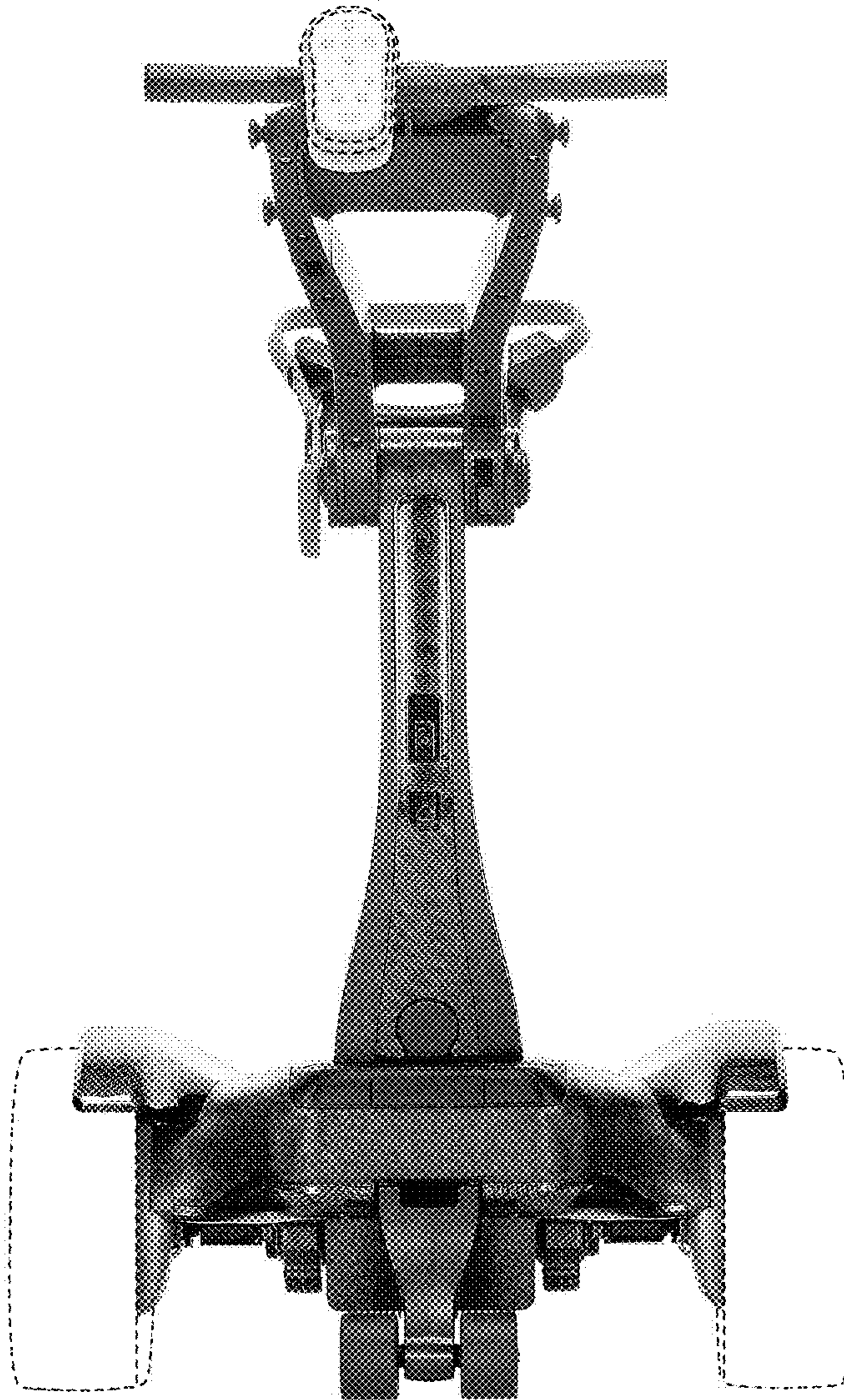


FIG. 4



FIG. 5

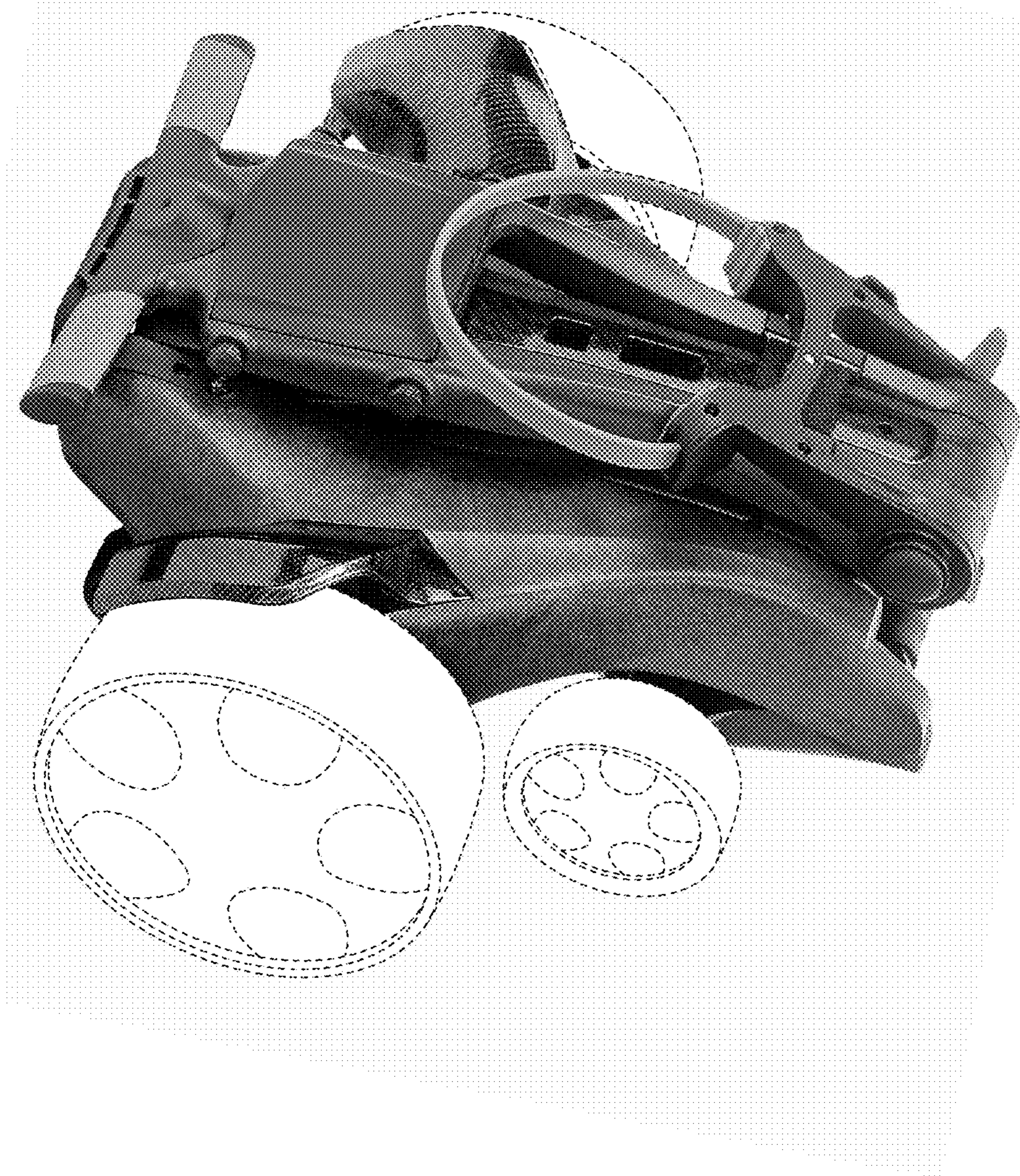


FIG. 6

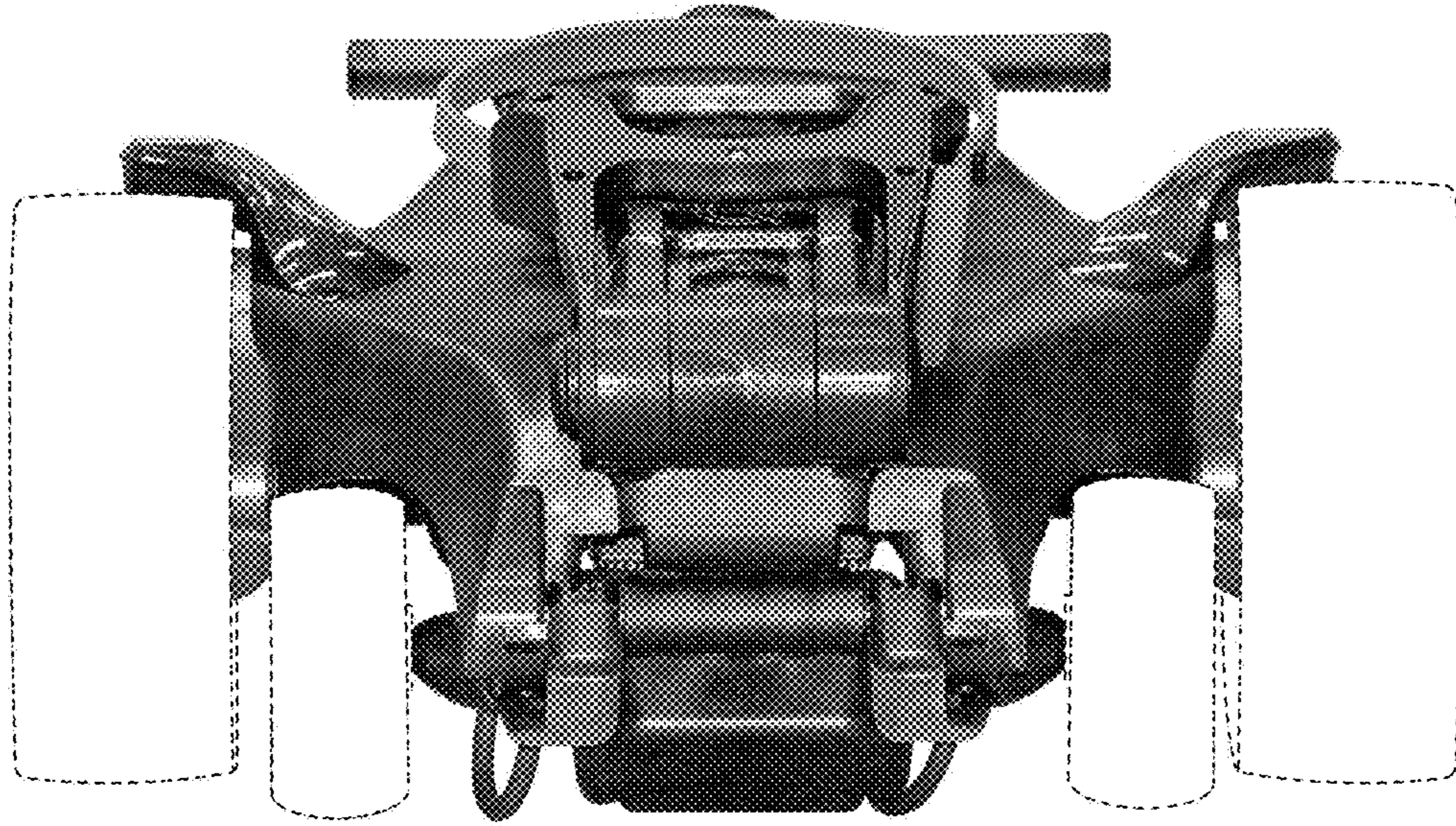


FIG. 7

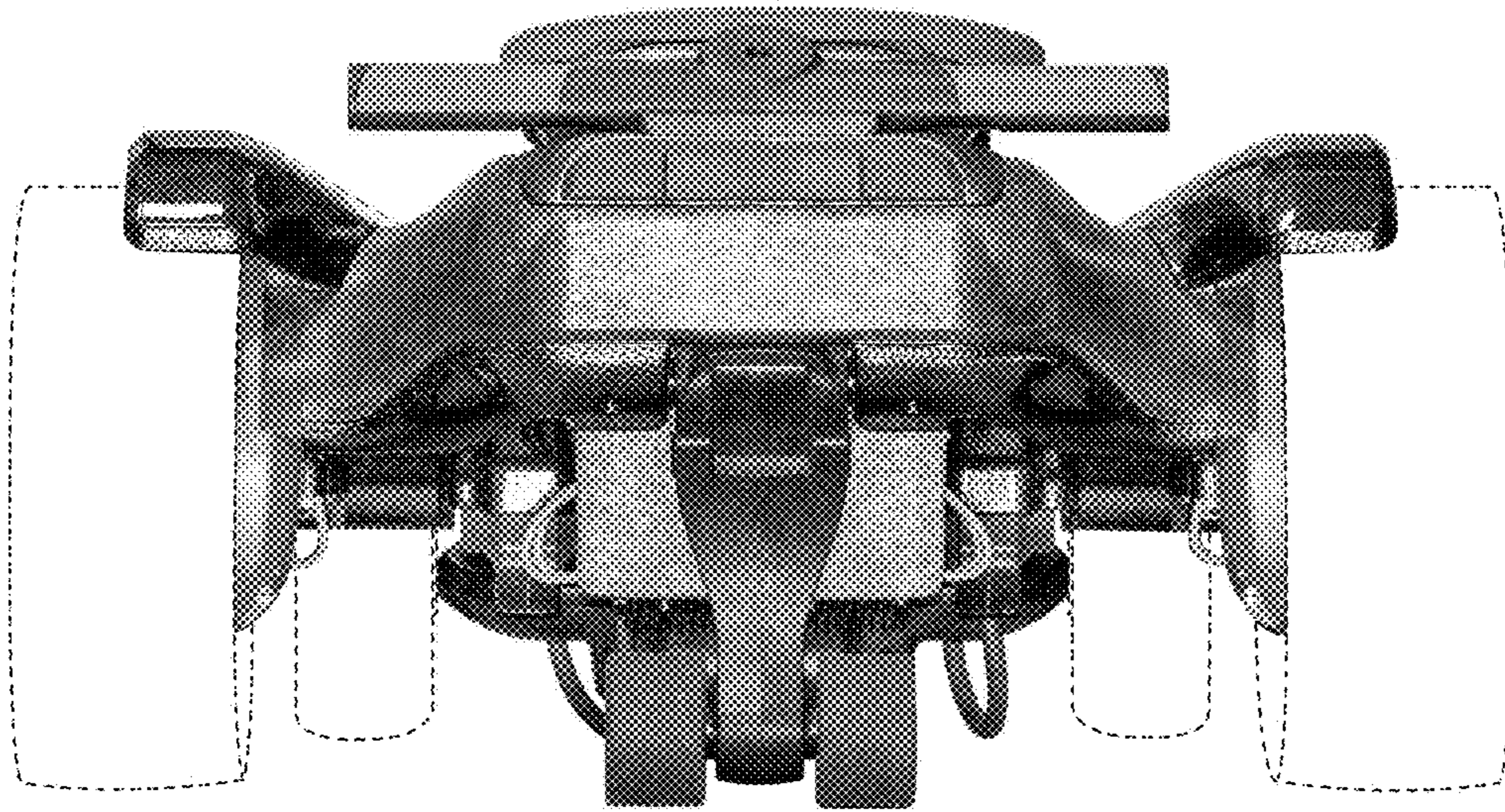


FIG. 8

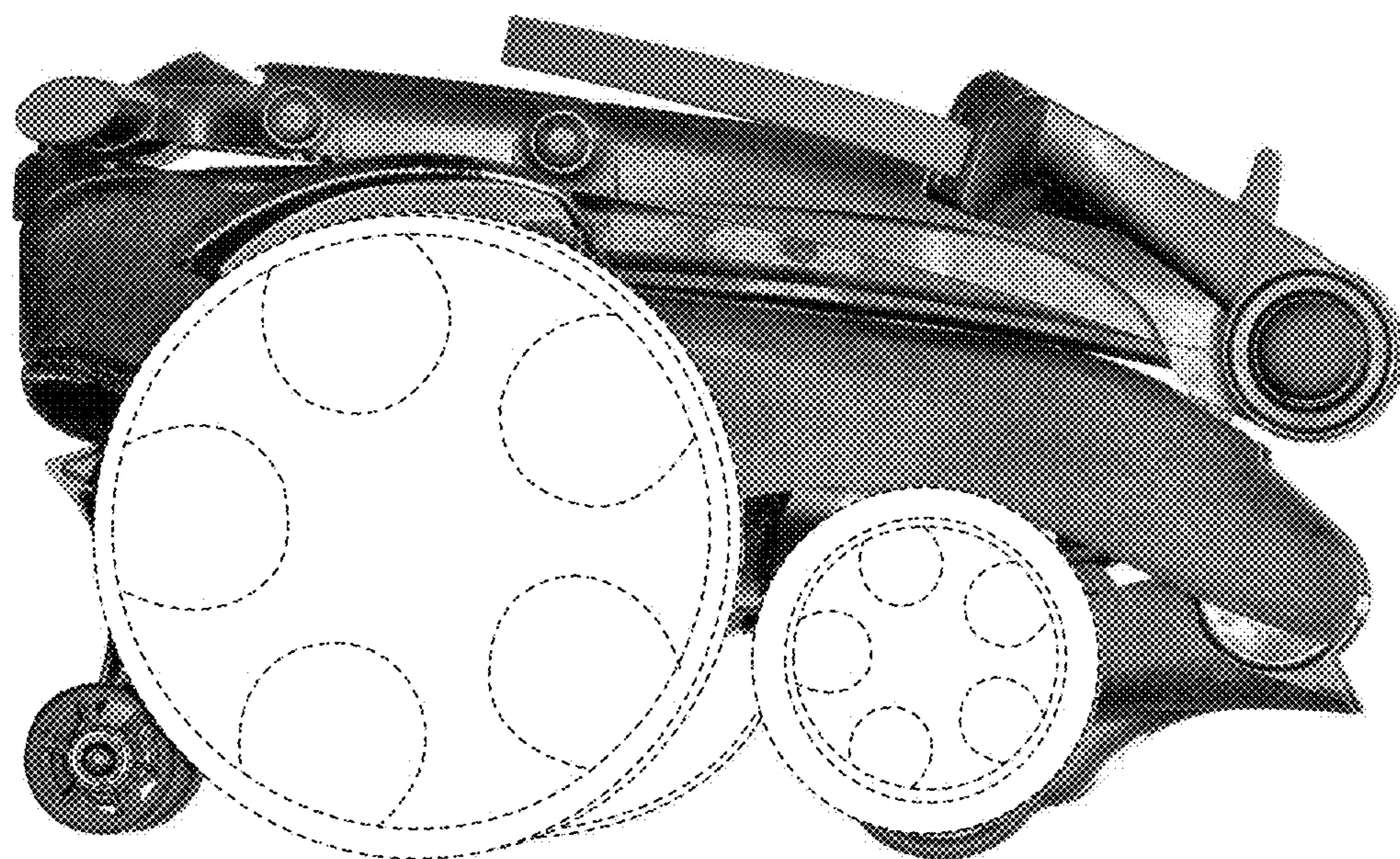


FIG. 9

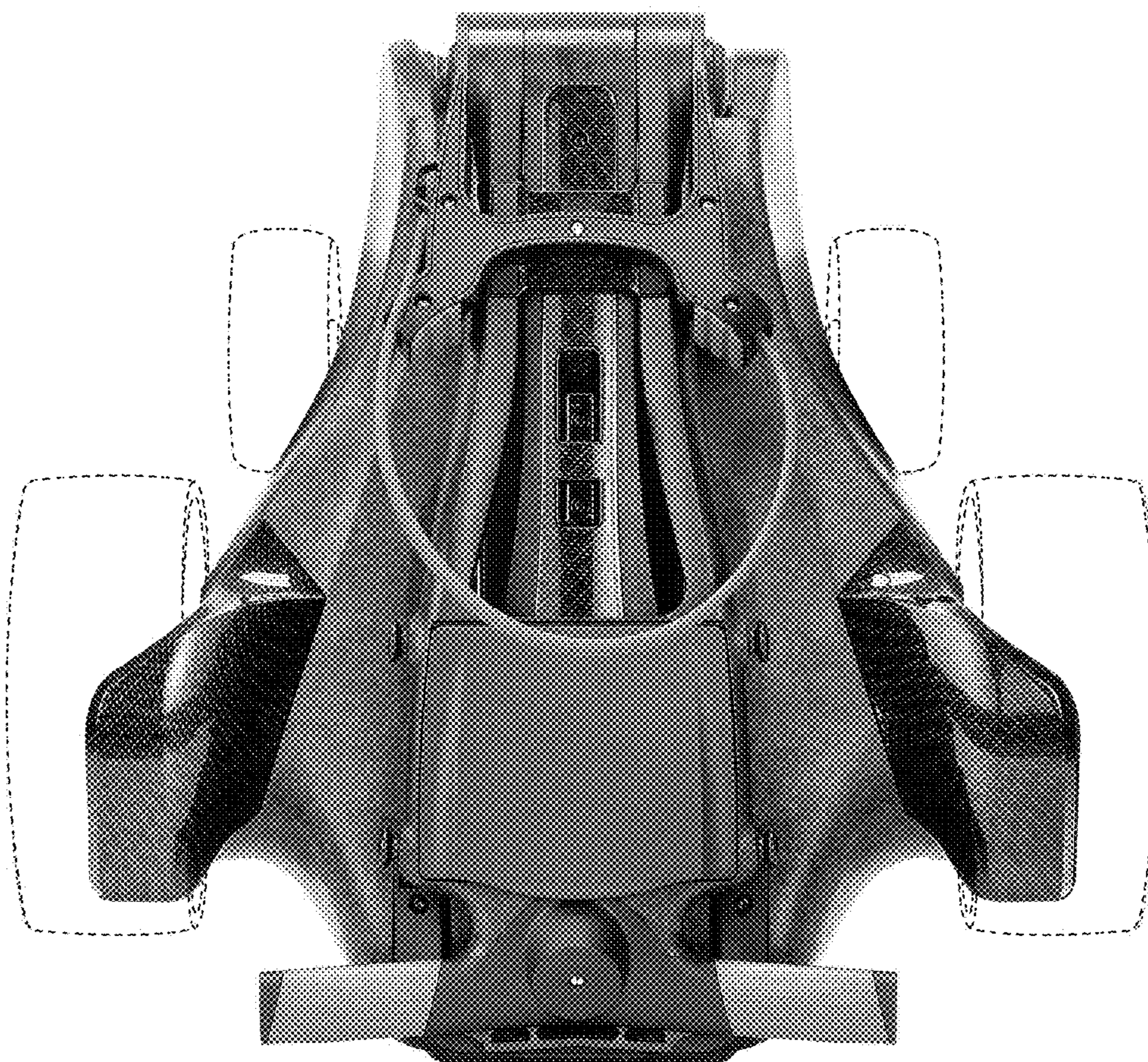


FIG. 10

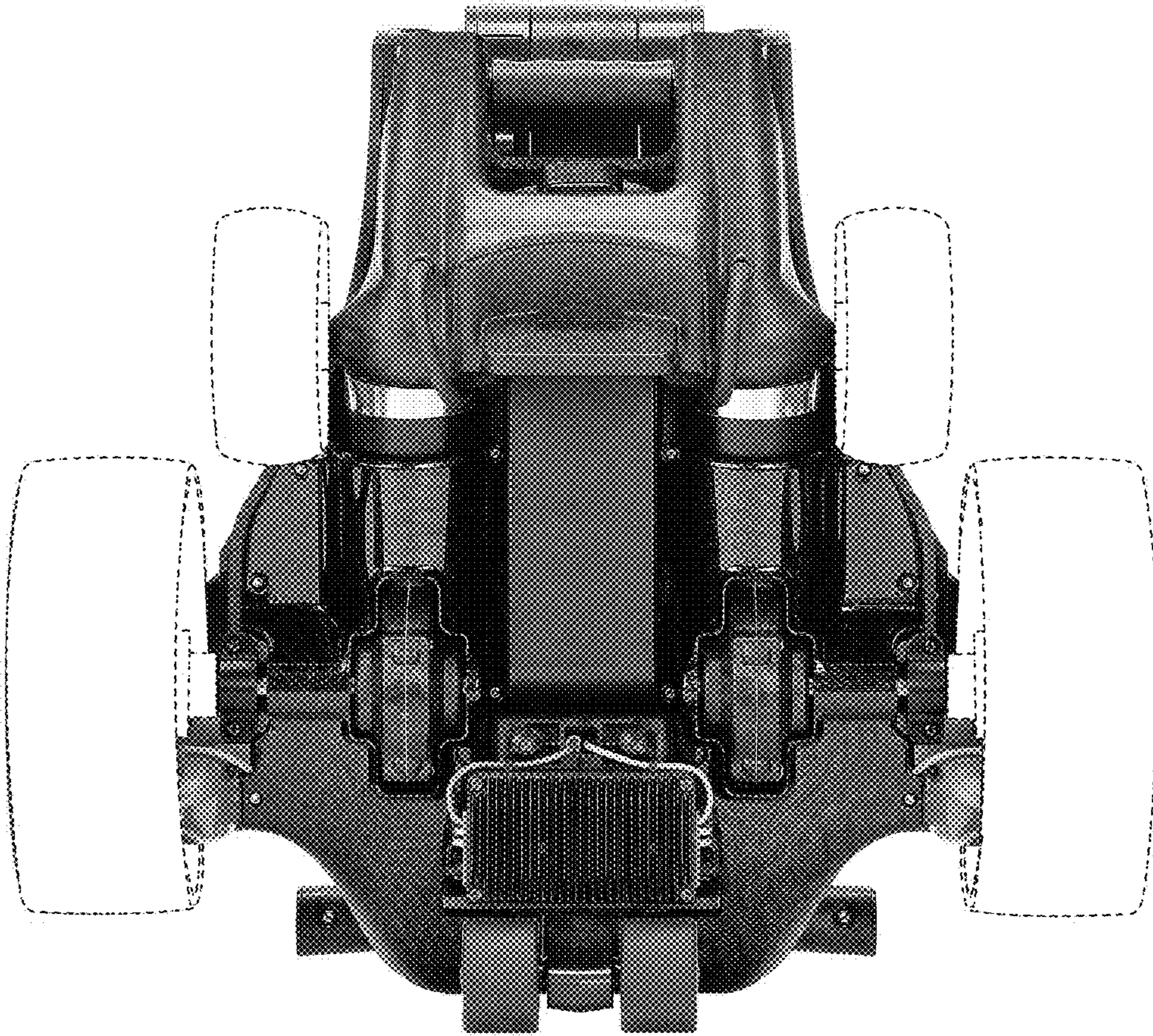


FIG. 11