



US00D954380S

(12) **United States Design Patent** (10) **Patent No.:** **US D954,380 S**  
**Sun** (45) **Date of Patent:** **\*\* Jun. 7, 2022**

(54) **SHOPPING CART**

(71) Applicant: **Shanshan Sun**, Zhejiang (CN)

(72) Inventor: **Shanshan Sun**, Zhejiang (CN)

(\*\*) Term: **15 Years**

(21) Appl. No.: **29/798,584**

(22) Filed: **Jul. 8, 2021**

(51) **LOC (13) Cl.** ..... **12-02**

(52) **U.S. Cl.**  
USPC ..... **D34/12**

(58) **Field of Classification Search**  
USPC ..... D34/12-27  
CPC B62B 3/02; B62B 3/002; B62B 3/006; B62B 3/10; B62B 3/106; B62B 3/04; B62B 1/10; B62B 1/264; B62B 1/14; B62B 1/12; B62B 1/047; B62B 1/04; B62B 5/002

See application file for complete search history.

(56) **References Cited**

**U.S. PATENT DOCUMENTS**

D134,941 S *	2/1943	Hansen	.....	D34/24
3,093,261 A *	6/1963	Salat	.....	B62B 3/002 211/181.1
D219,208 S *	11/1970	Olsson	.....	D7/307
D296,143 S *	6/1988	Bettess	.....	280/47.35
D304,112 S *	10/1989	Bettess	.....	D34/21
D334,640 S *	4/1993	Forish	.....	D34/24
D612,561 S *	3/2010	Hunter	.....	D34/14
D625,071 S *	10/2010	Shigeno	.....	D24/185
D637,782 S *	5/2011	Steffens	.....	D34/14
D875,343 S	2/2020	Magnusson		
D895,920 S	9/2020	Villanova et al.		

**OTHER PUBLICATIONS**

Google search Apr. 26, 2022, Amazon.com dbest products cruiser cart deluxe 2 shopping grocery rolling folding laundry basket,

<https://www.amazon.com/dbest-products-Shopping-Lightweight-Collapsible/dp/B0948DWZ91> (Year: 2022).\*

Lowe's.com Apr. 26, 2022, Milwaukee heavy duty steel shopping cart with accessory basket in black, <https://www.lowes.com/pd/Milwaukee-Milwaukee-Heavy-Duty-Steel-Shopping-Cart-with-Accessory-Basket-in-Black/1002752762> (Year: 2022).\*

\* cited by examiner

*Primary Examiner* — Cynthia Ramirez

(74) *Attorney, Agent, or Firm* — ScienBiziP, P.C.

(57) **CLAIM**

The ornamental design for a shopping cart, as shown and described.

**DESCRIPTION**

FIG. 1 is a front, right, and top perspective view of a shopping cart, showing my design.

FIG. 2 is a front elevation view thereof.

FIG. 3 is a rear elevation view thereof.

FIG. 4 is a left side elevation view thereof.

FIG. 5 is a right side elevation view thereof.

FIG. 6 is a top plan view thereof.

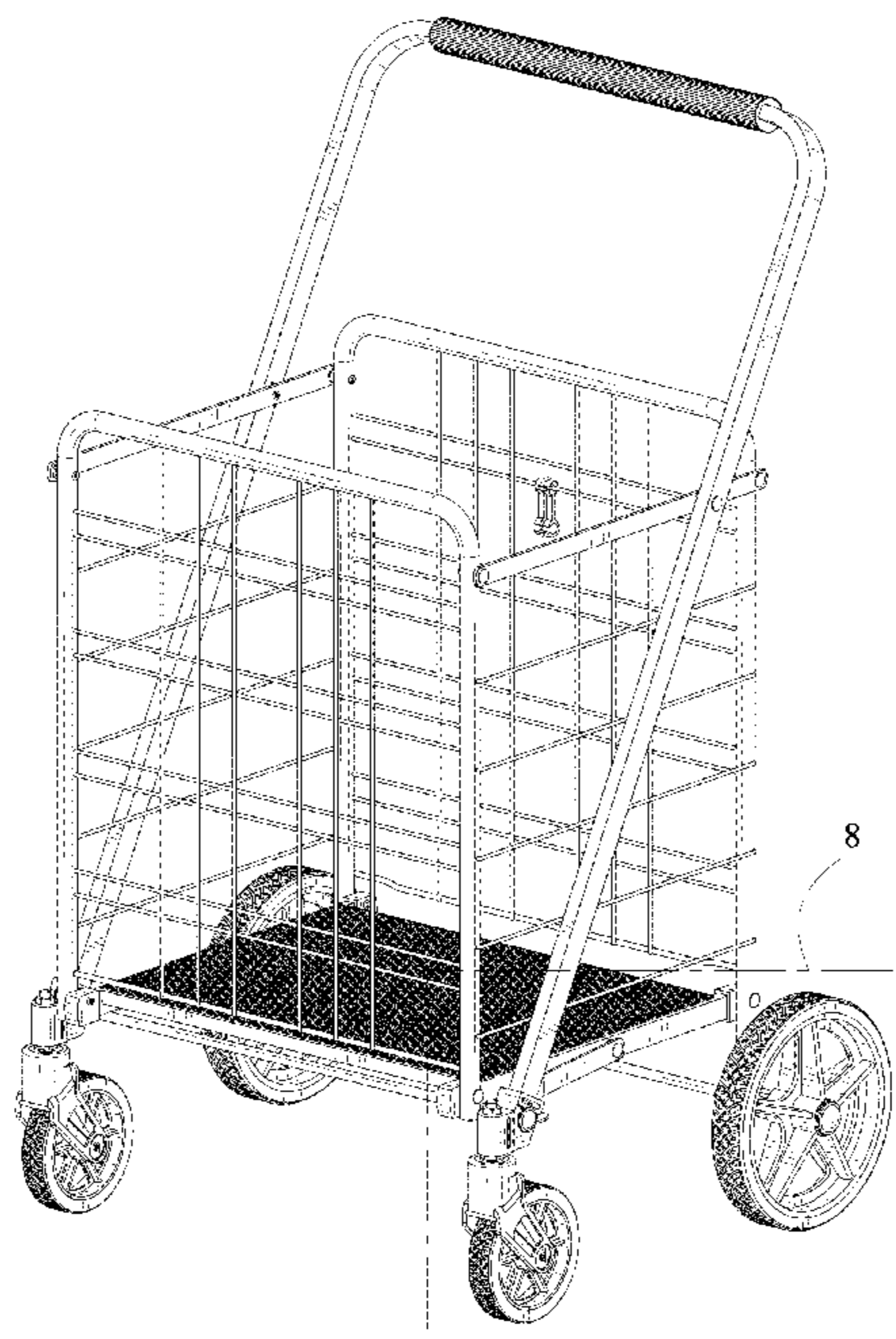
FIG. 7 is a bottom plan view thereof.

FIG. 8 is a partial enlarged view of an area labeled 8 in FIG. 1 comprising wheels; and,

FIG. 9 is another front, right, and top perspective view of the shopping cart of FIG. 1, wherein the shopping cart is in a folding state.

The broken lines framing portions of the claimed design that are illustrated for enlargements form no part of the claimed design.

**1 Claim, 9 Drawing Sheets**



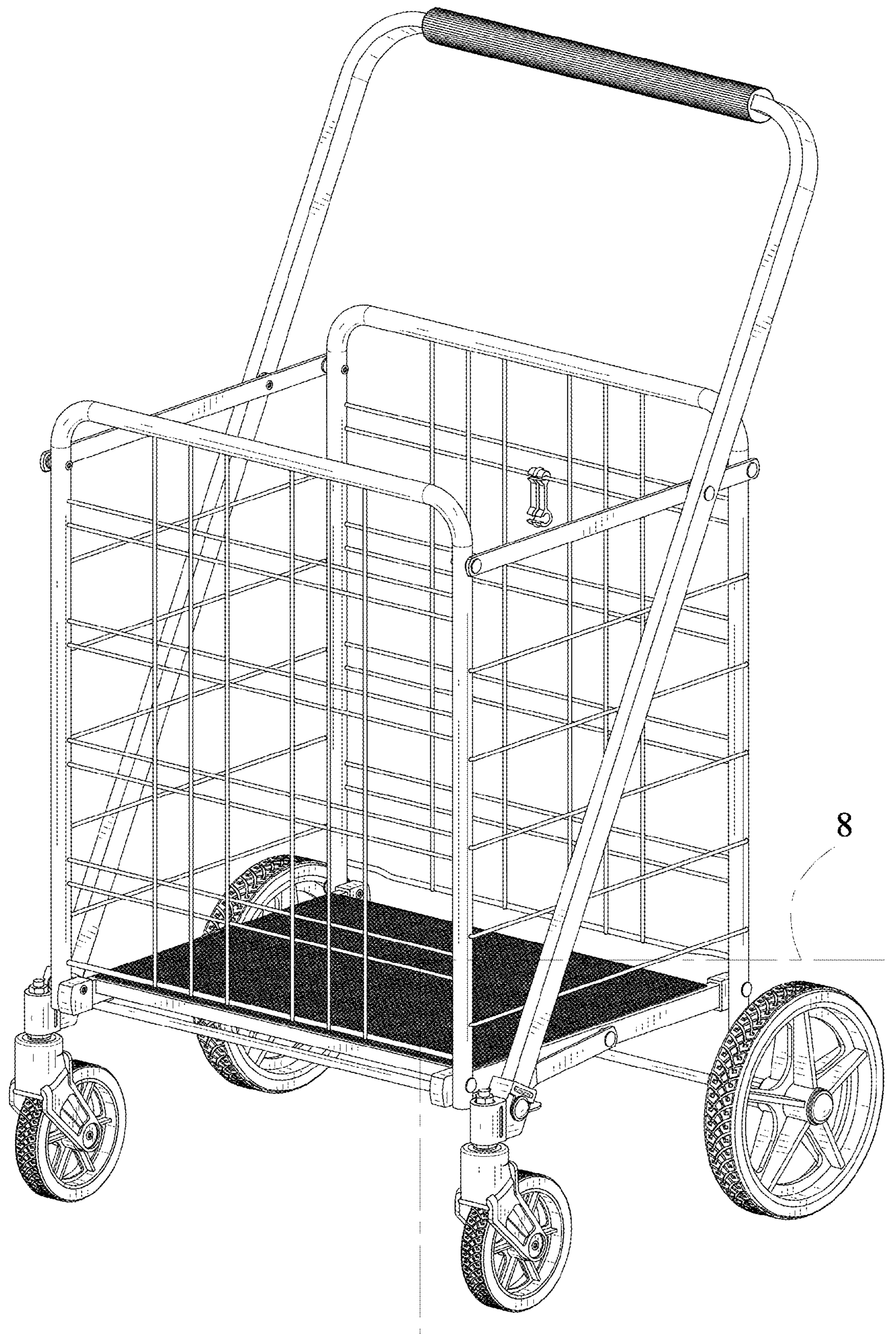


FIG. 1

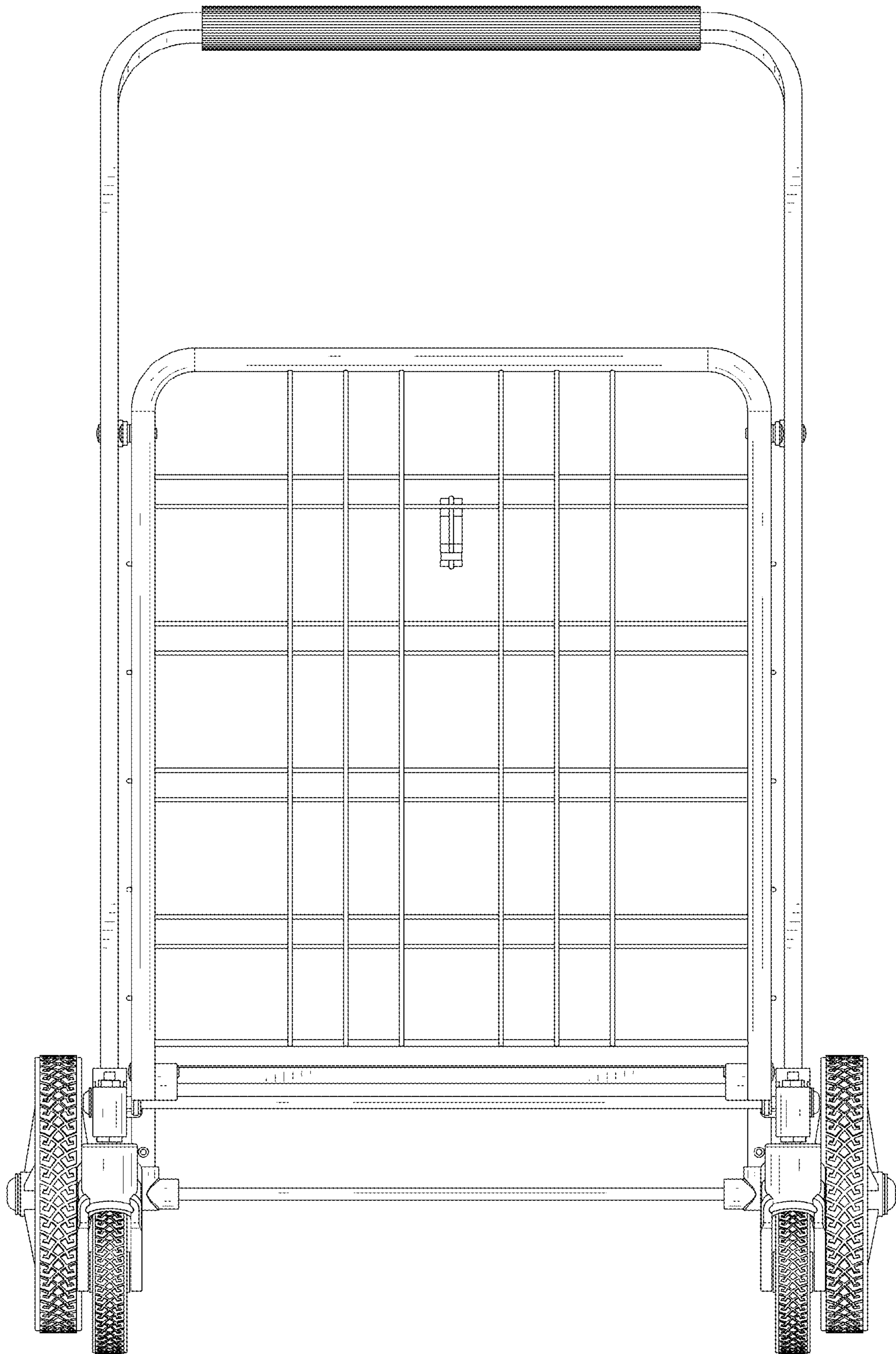


FIG. 2

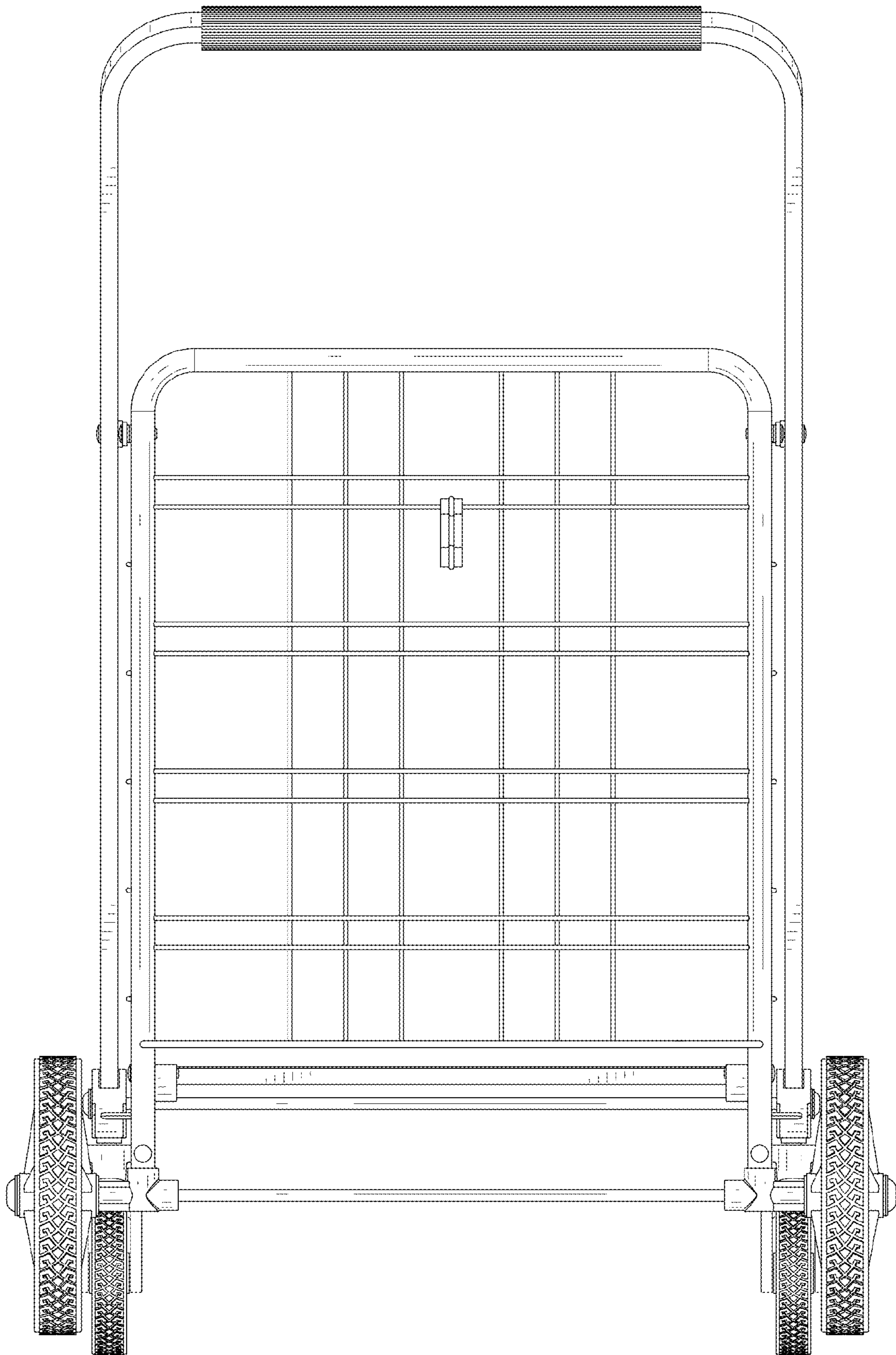


FIG. 3

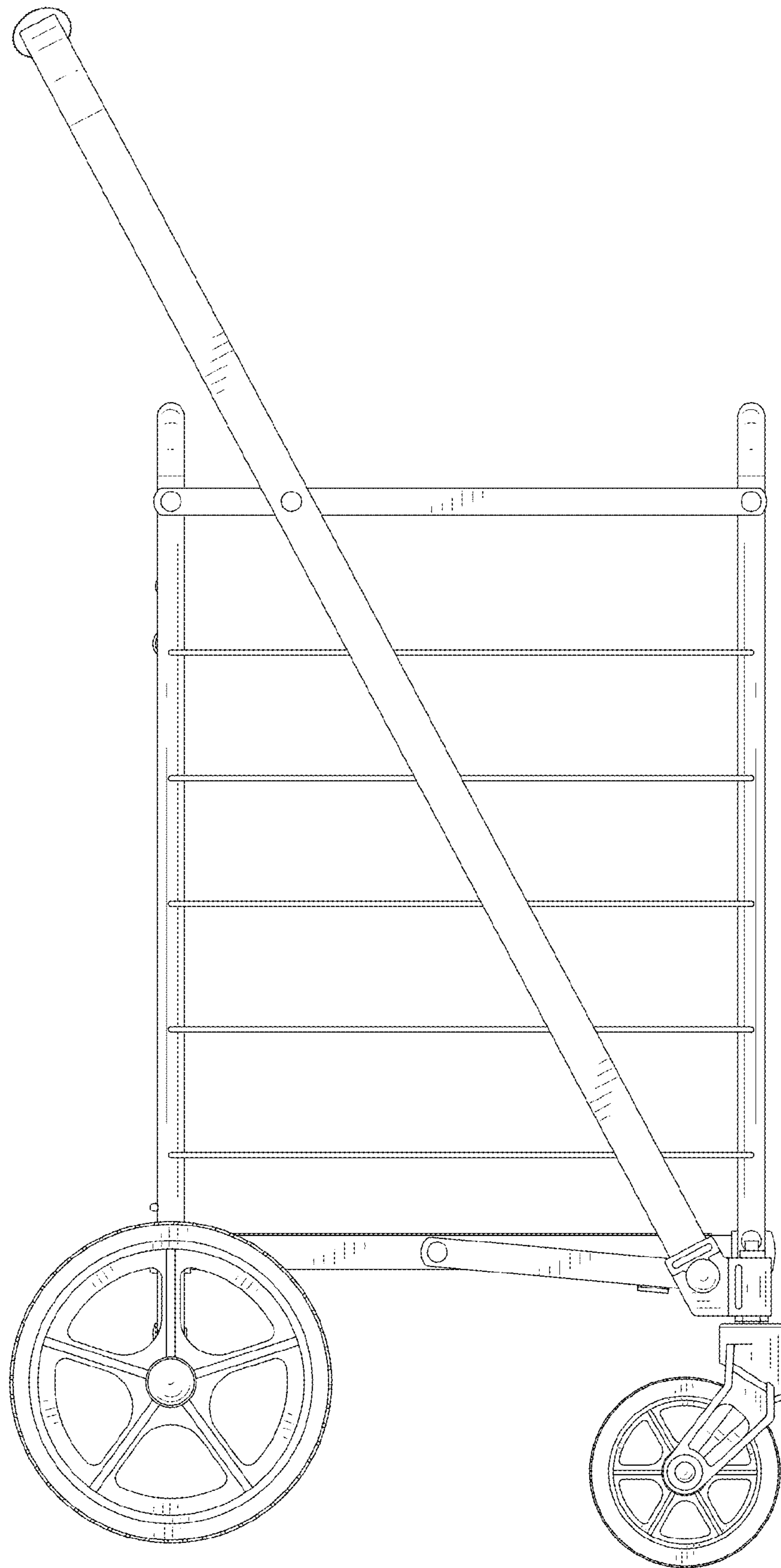


FIG. 4

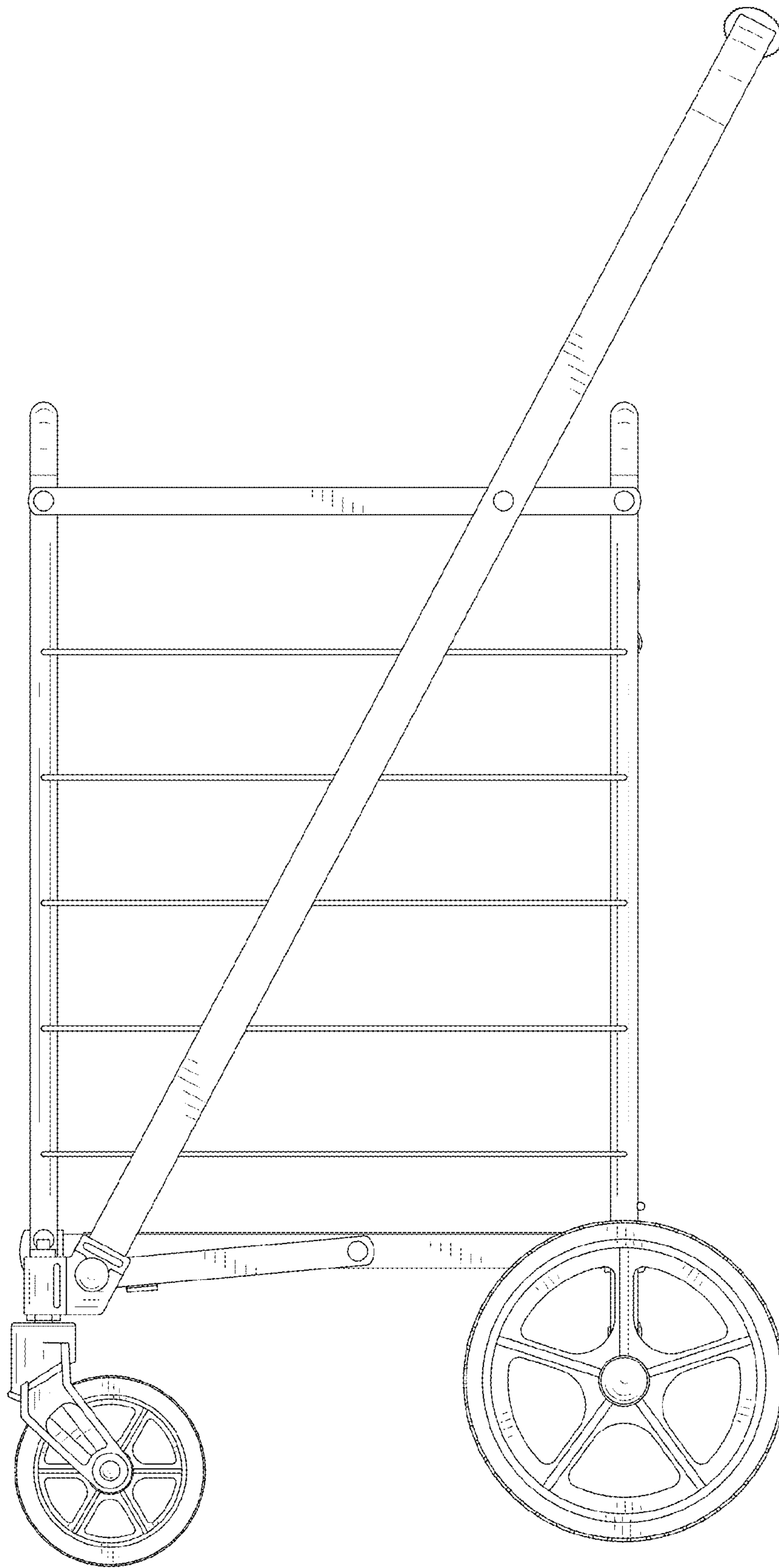


FIG. 5

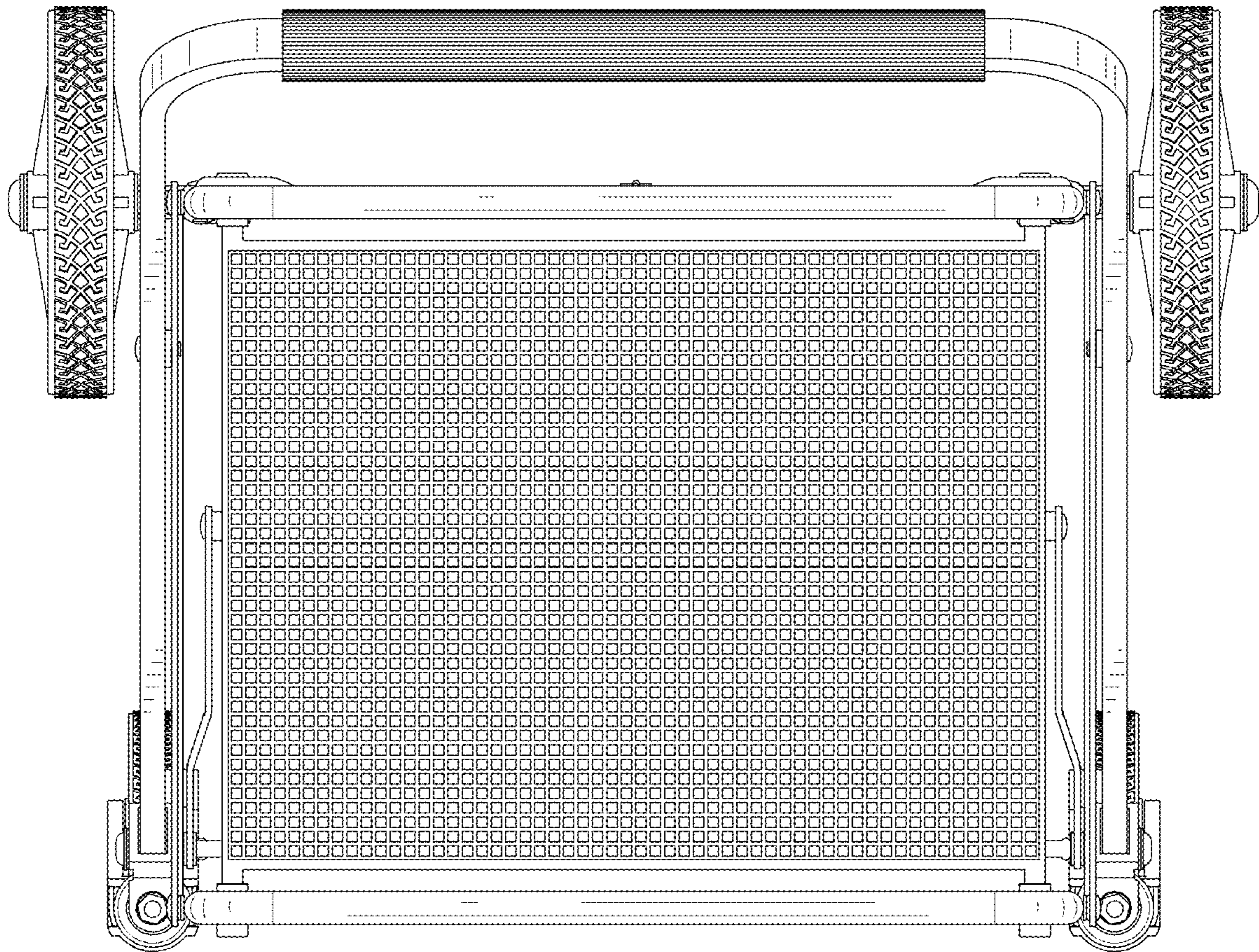


FIG. 6

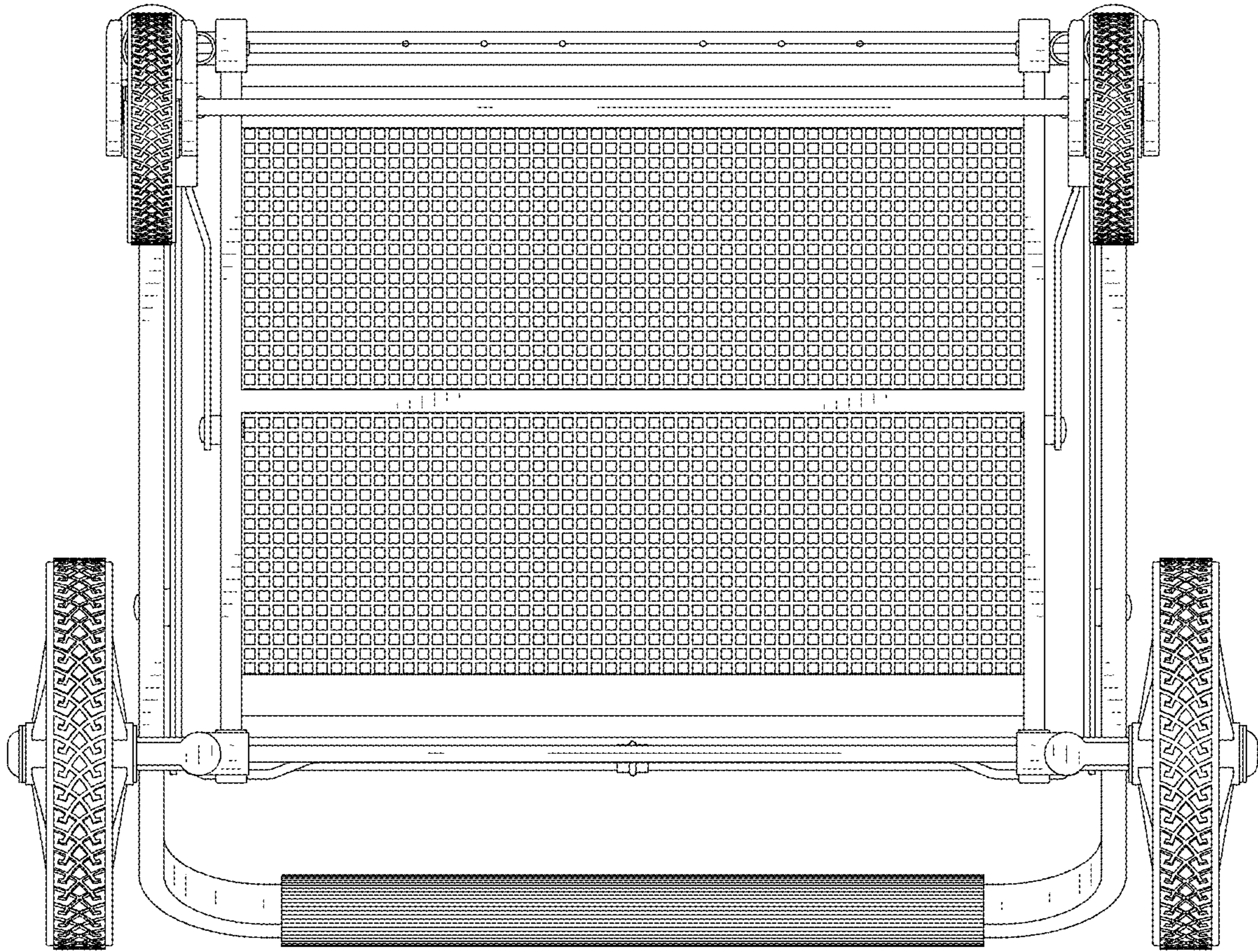


FIG. 7



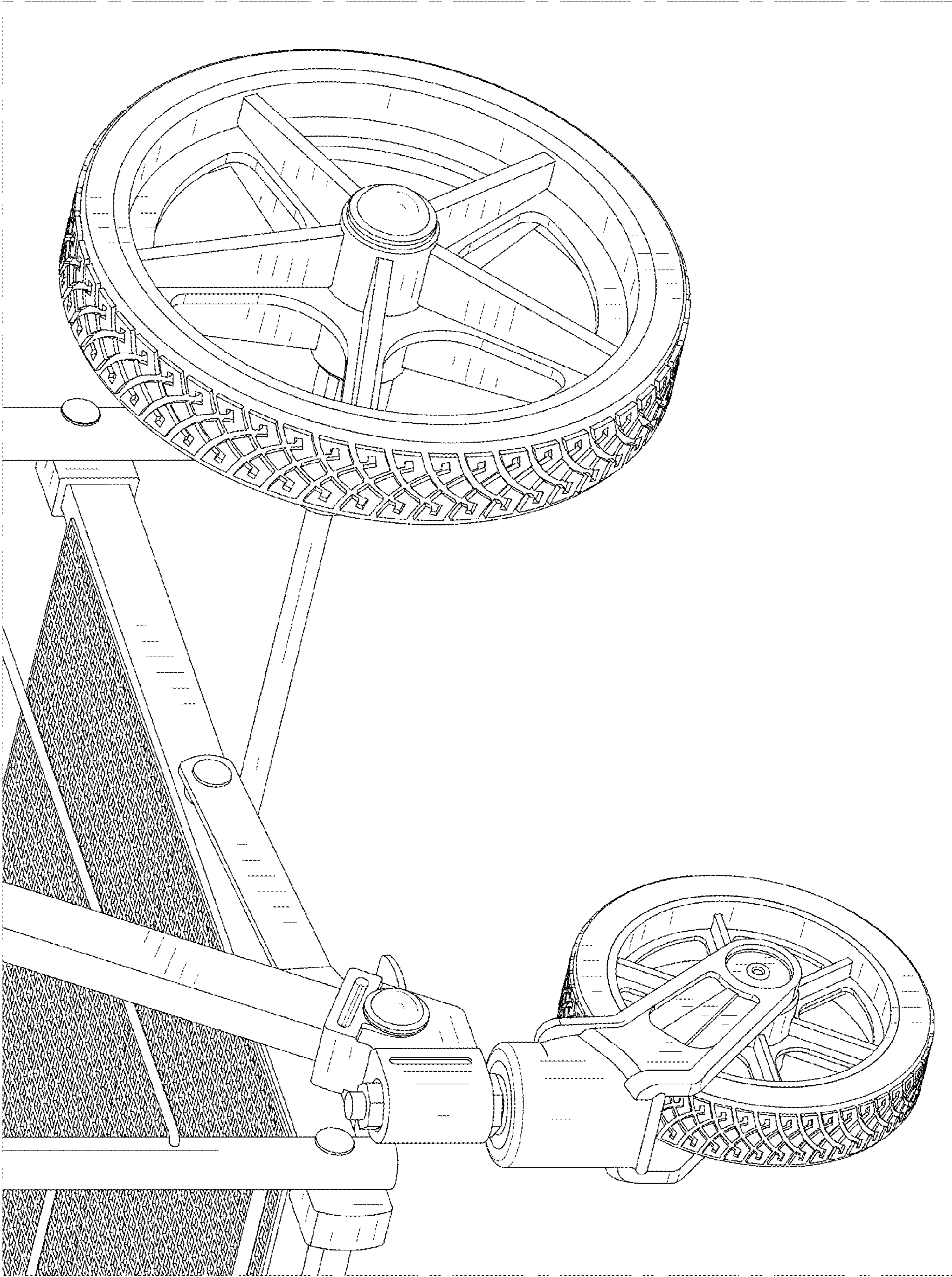


FIG. 8

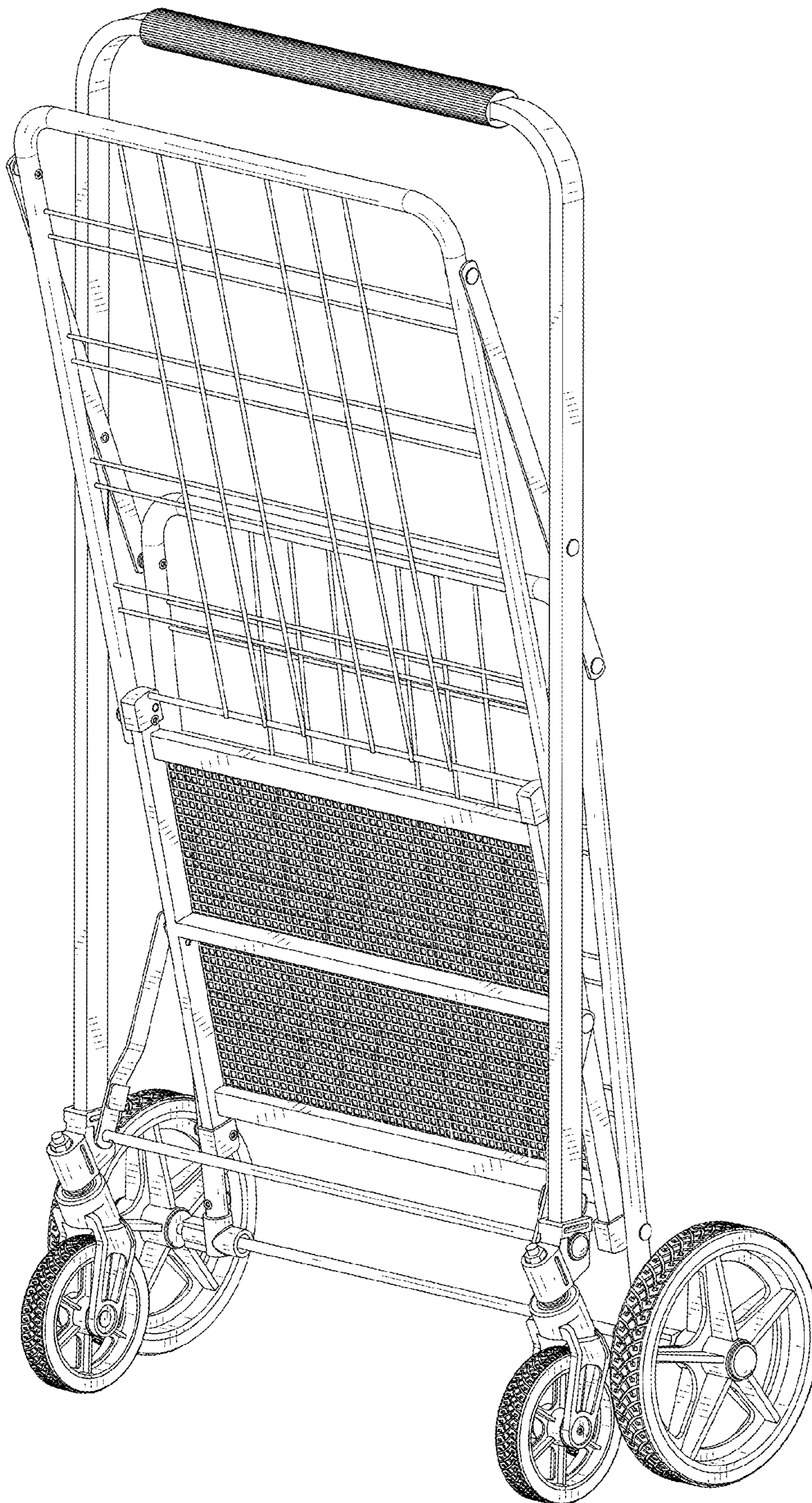


FIG. 9