



US00D954378S

(12) **United States Design Patent** (10) **Patent No.:** **US D954,378 S**
Whitehead et al. (45) **Date of Patent:** **** Jun. 7, 2022**

(54) **TRASH CAN** 8,714,404 B2 * 5/2014 Raghunathan B65F 1/1468
220/770
(71) Applicant: **Suncast Technologies, LLC**, Palm Beach Gardens, FL (US) 11,040,827 B1 * 6/2021 Tejada B65F 1/10
2021/0339946 A1 * 11/2021 Voznyuk B65F 1/1452

(72) Inventors: **Stephen Whitehead**, Elgin, IL (US);
Robert Kopp, Elburn, KS (US);
Torrence Anderson, Overland Park, IL (US); **Samuel Logan**, West Chicago, IL (US)

(73) Assignee: **Suncast Technologies, LLC**, Palm Beach Gardens, FL (US)

(**) Term: **15 Years**

(21) Appl. No.: **29/750,203**

(22) Filed: **Sep. 11, 2020**

(51) **LOC (13) Cl.** **09-09**

(52) **U.S. Cl.**
USPC **D34/1**

(58) **Field of Classification Search**
USPC D34/1-11
CPC B65F 1/16; B65F 1/1607; B65F 1/1615;
B65F 1/06; B65F 1/163; B65F 1/1623;
B65F 1/1646; B65F 2220/12; B65F
2230/00; B65F 2250/1146; B65F 1/1468;
B65D 21/0209; B65D 2543/00194
See application file for complete search history.

(56) **References Cited**

U.S. PATENT DOCUMENTS

7,017,773 B2 * 3/2006 Gruber B65F 1/122
220/669
D542,000 S * 5/2007 Miller D34/1

OTHER PUBLICATIONS

Google search Jan. 25, 2022, Rubbermaid FG263200 gray brute 32 gallon gray round trash can, <https://www.webstaurantstore.com/rubbermaid-fg263200gray-brute-32-gallon-gray-trash-can/690FG2632GY.html> (Year: 2022).*

* cited by examiner

Primary Examiner — Cynthia Ramirez

(74) *Attorney, Agent, or Firm* — McHale & Slavin P.A.

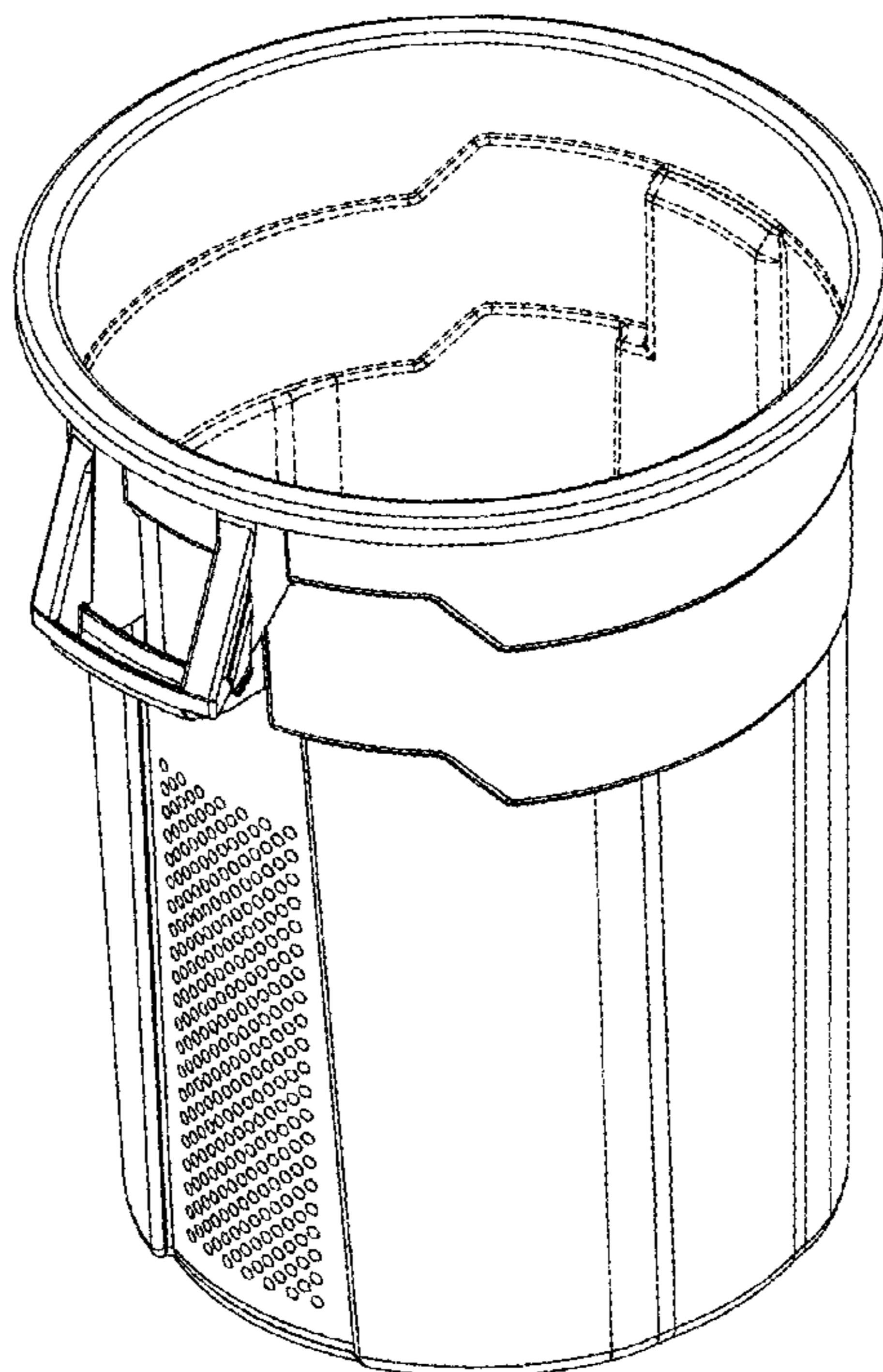
(57) **CLAIM**

The ornamental design for a trash can, as shown and described.

DESCRIPTION

FIG. 1 is a top front left perspective view of the trash can of the present invention;
FIG. 2 is a top front right perspective view thereof;
FIG. 3 is a front view thereof;
FIG. 4 is a rear view thereof;
FIG. 5 is a right side view thereof;
FIG. 6 is a left side view thereof; and,
FIG. 7 is a top view thereof.
The portions of the trash can illustrated in broken lines form no part of the design claim for the trash can.

1 Claim, 7 Drawing Sheets



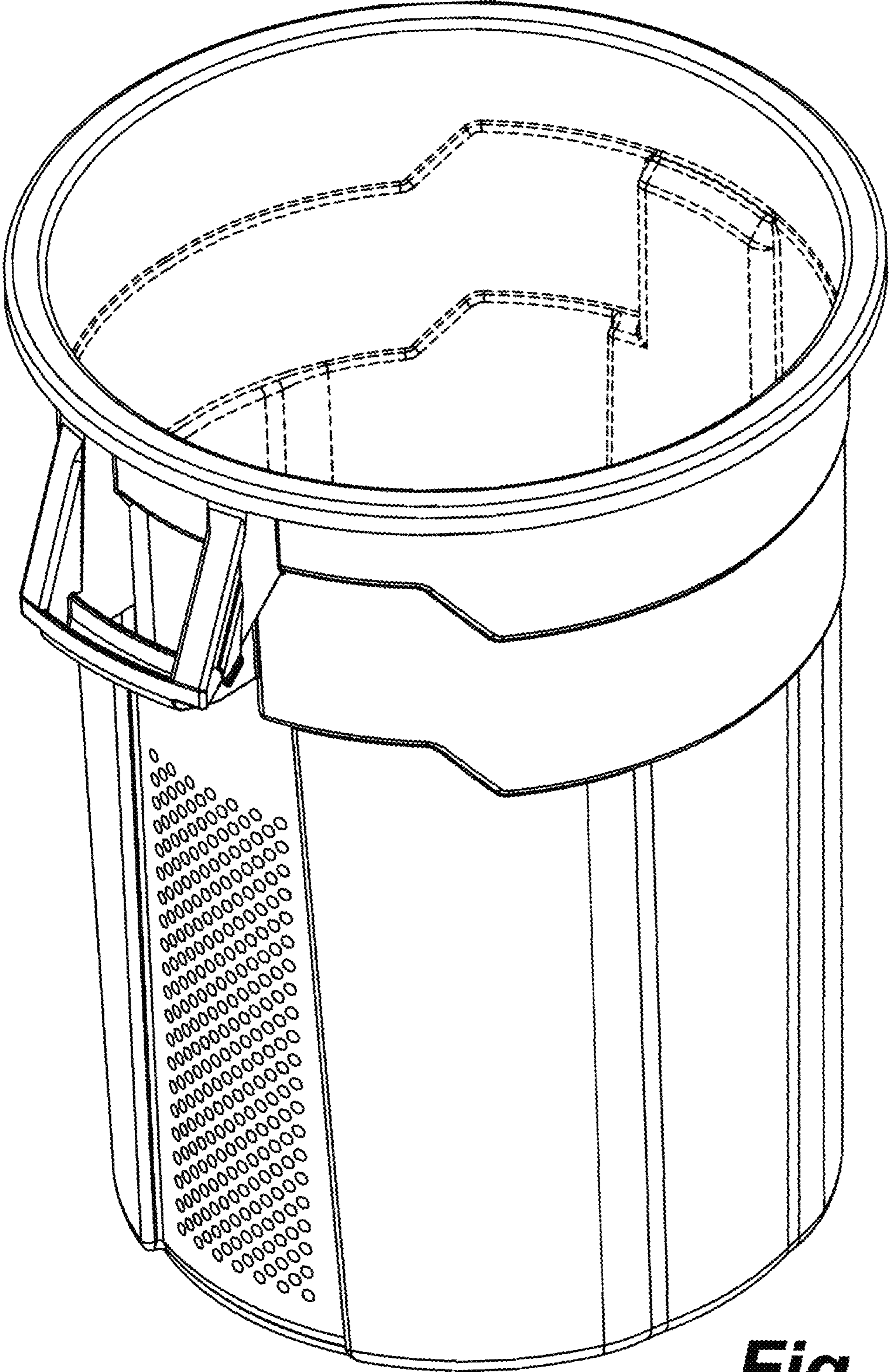


Fig. 1

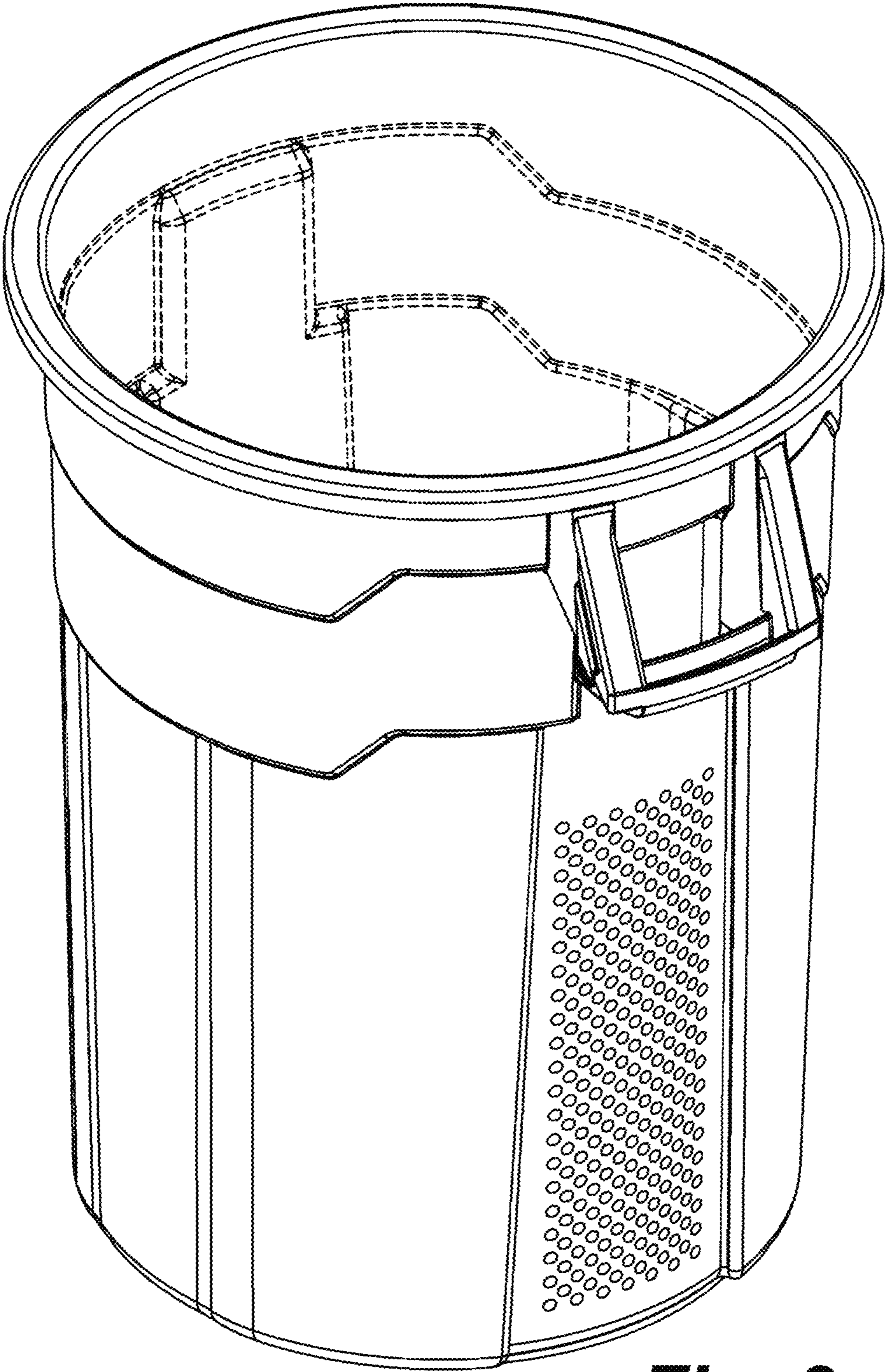


Fig. 2

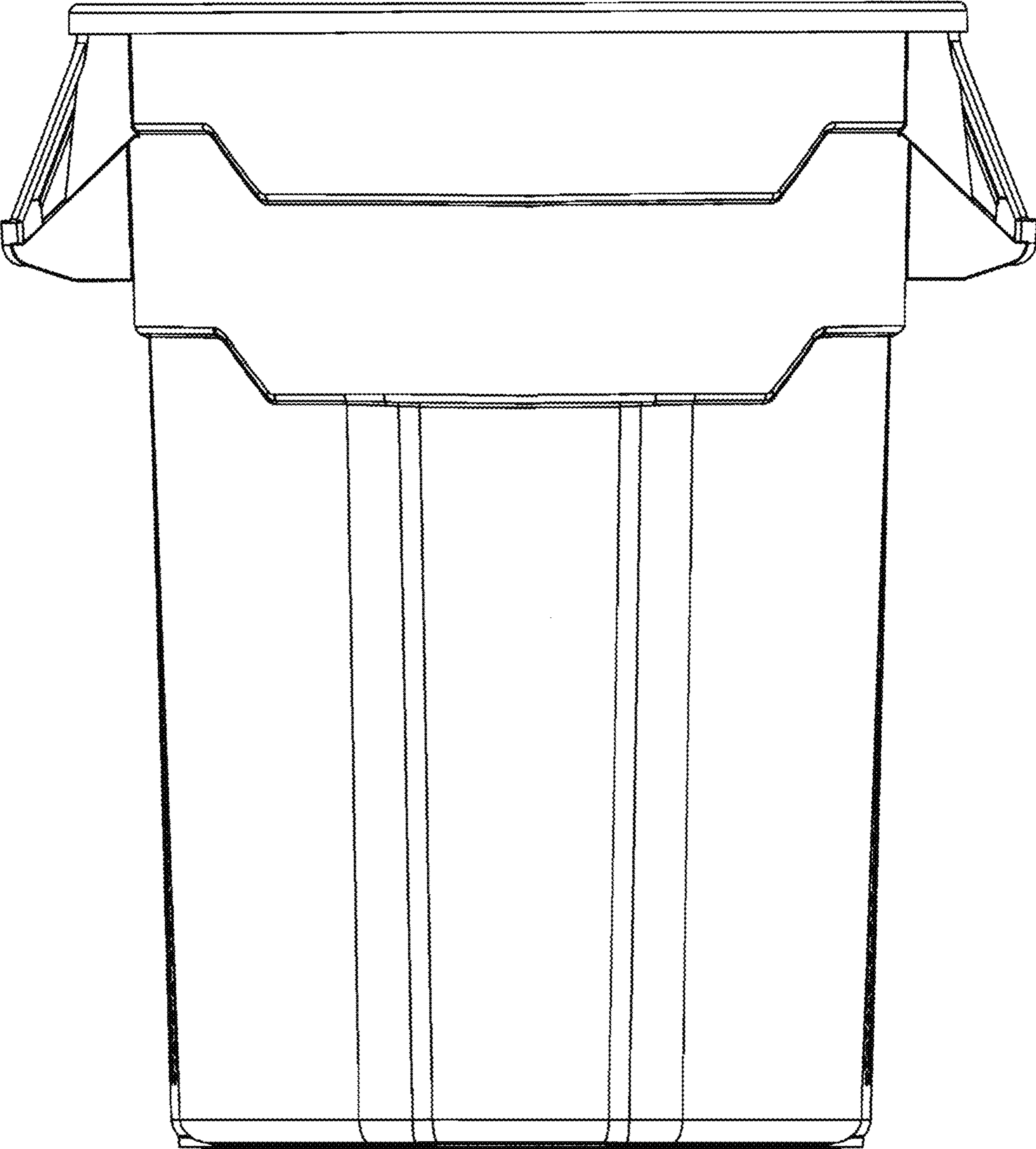


Fig. 3

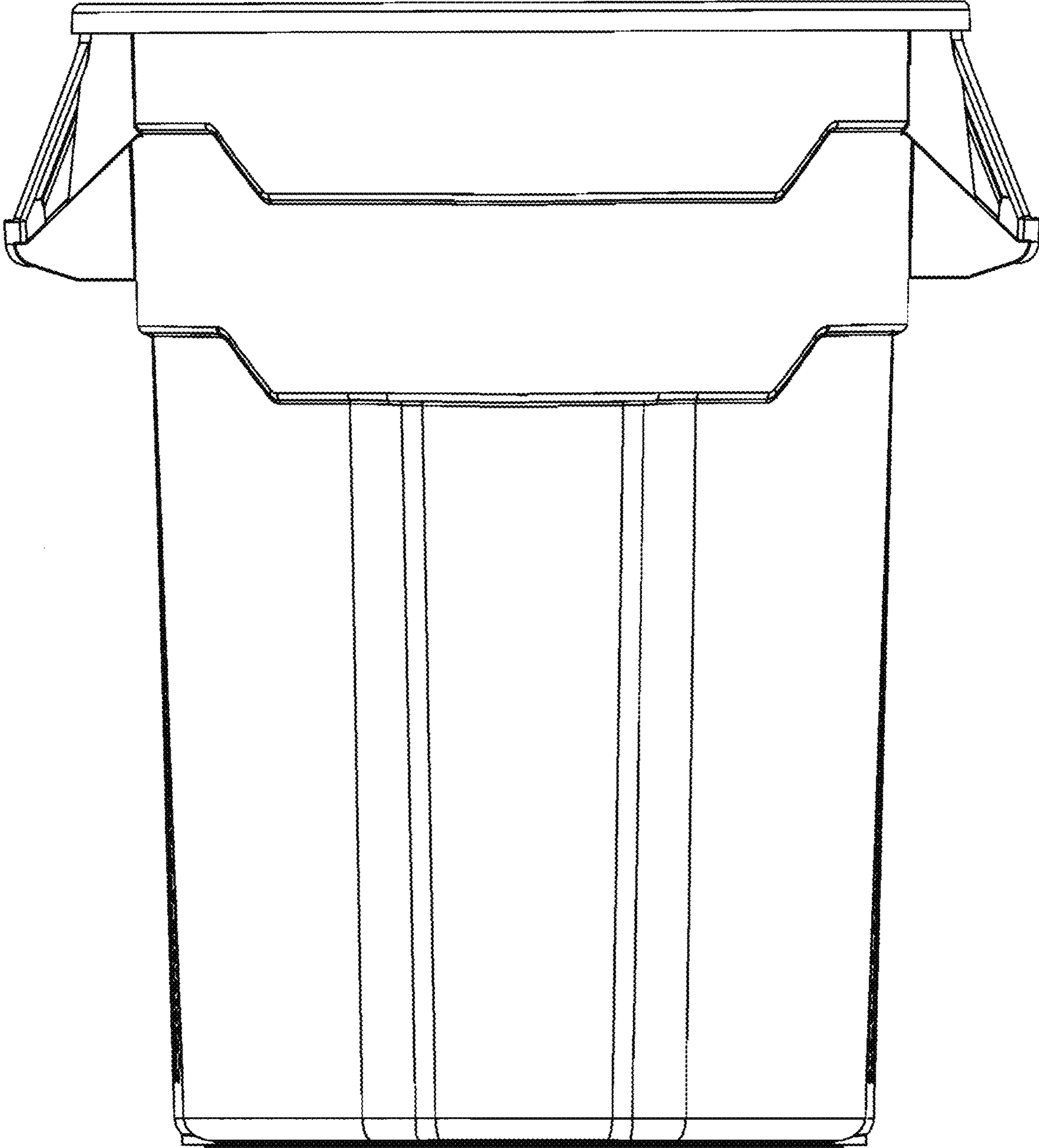


Fig. 4

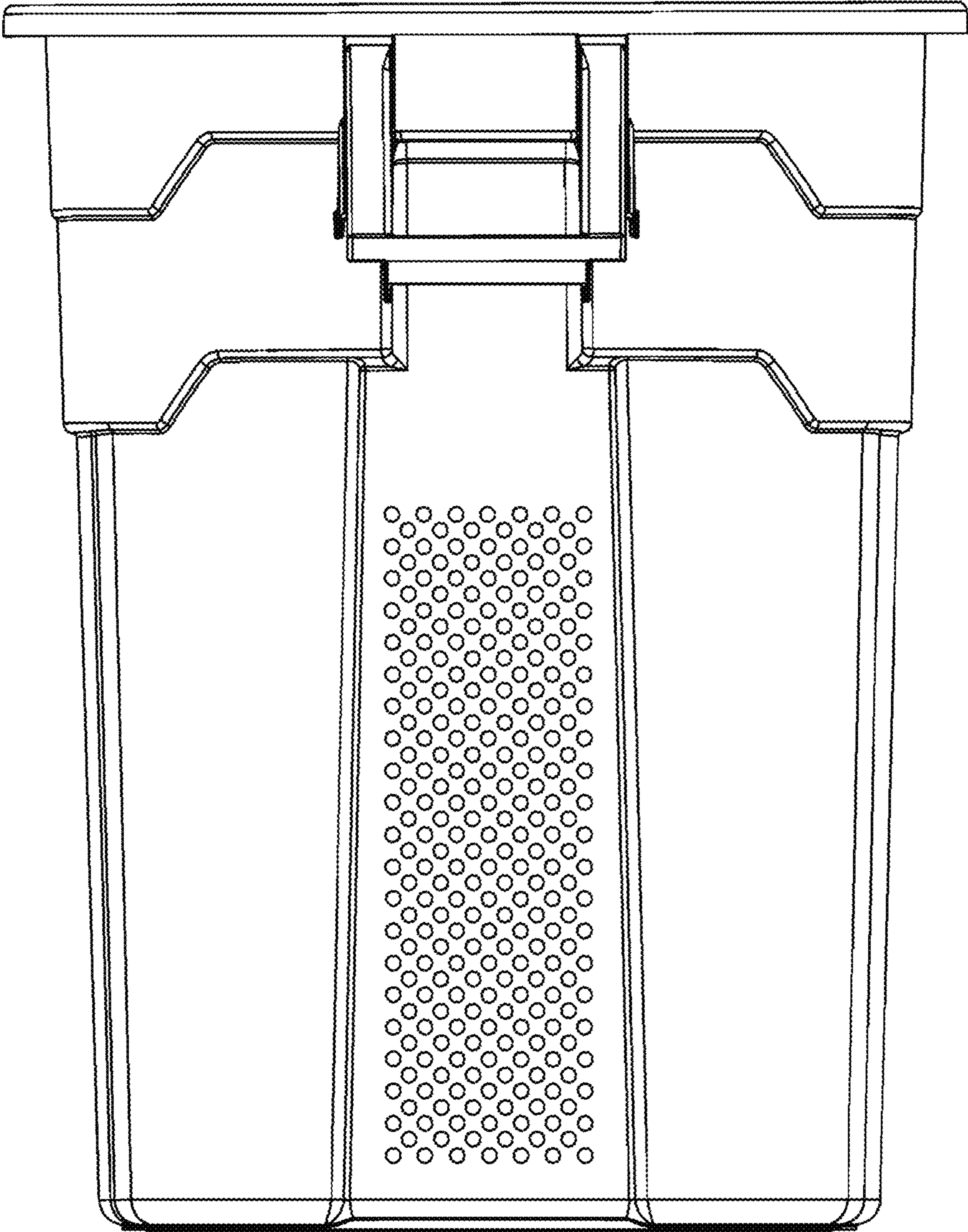


Fig. 5

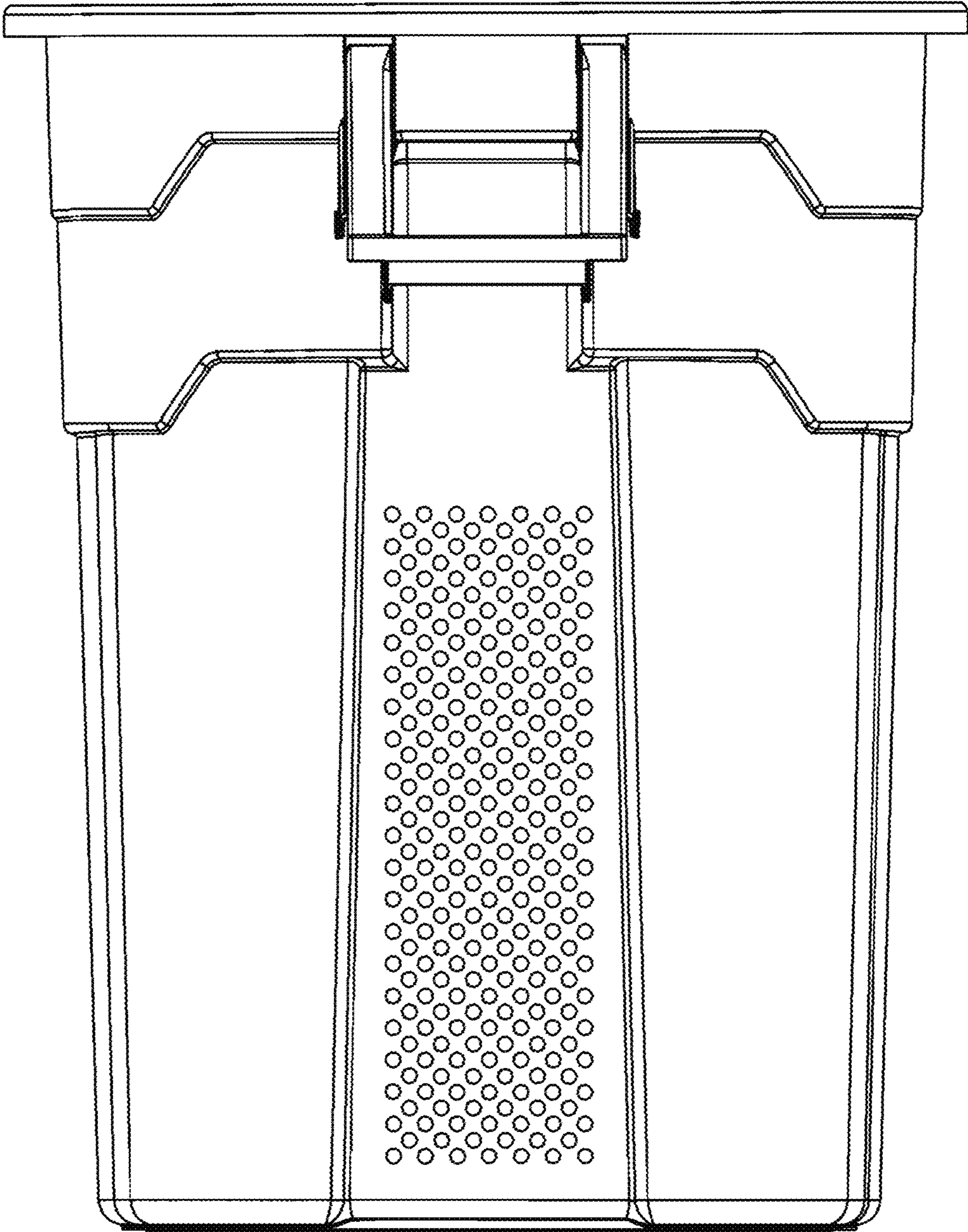


Fig. 6

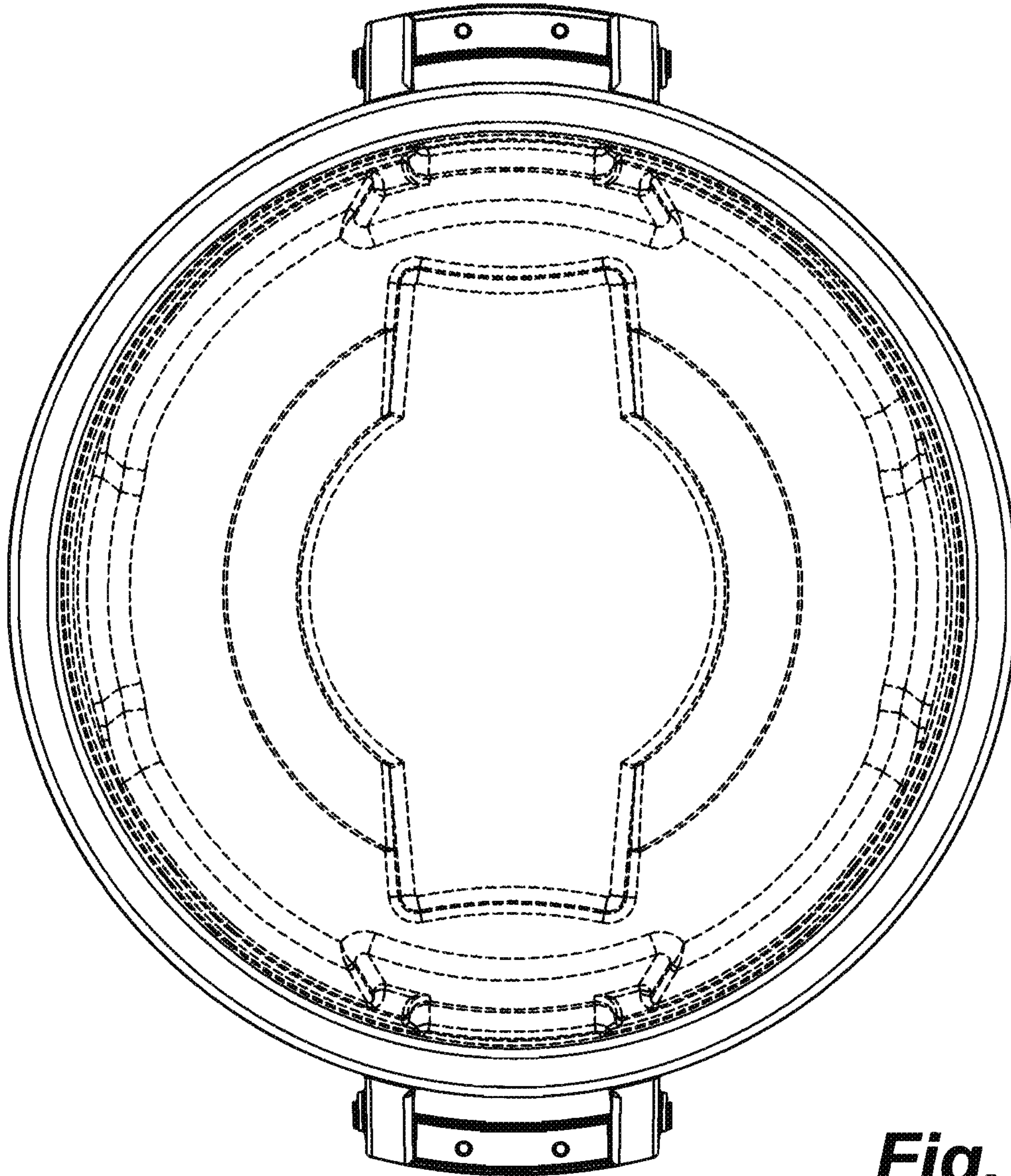


Fig. 7