



US00D954377S

(12) **United States Design Patent**  
**Ye et al.**

(10) **Patent No.:** **US D954,377 S**  
(45) **Date of Patent:** **\*\* Jun. 7, 2022**

- (54) **COMBINED WASTE AND RECYCLING BIN**
- (71) Applicant: **Xin Wang**, Eastvale, CA (US)
- (72) Inventors: **Xun Ye**, San Jose, CA (US); **Jindou Shi**, Fuzhou (CN); **Jin Pan**, Fuzhou (CN)
- (73) Assignee: **Xin Wang**, Eastvale, CA (US)
- (\*\*) Term: **15 Years**
- (21) Appl. No.: **29/740,393**
- (22) Filed: **Jul. 2, 2020**
- (51) **LOC (13) Cl.** ..... **09-09**
- (52) **U.S. Cl.**  
USPC ..... **D34/1**
- (58) **Field of Classification Search**  
USPC ..... D34/1, 4, 5, 7, 9, 10, 11  
CPC .. B65F 1/163; B65F 1/16; B65F 1/162; B65F 1/1438; B65F 1/623; B65F 1/002; B65F 1/04; B65F 2240/138  
See application file for complete search history.

- D925,857 S \* 7/2021 Downing ..... D34/9
- D930,932 S \* 9/2021 Chen ..... D34/9
- D930,933 S \* 9/2021 Yang ..... B65F 1/1646  
D34/9
- 2005/0230396 A1\* 10/2005 Yang ..... B65F 1/163  
220/264
- 2005/0258177 A1\* 11/2005 Woodson ..... B65F 1/062  
220/495.07

\* cited by examiner

*Primary Examiner* — Cynthia Ramirez

(74) *Attorney, Agent, or Firm* — Karish & Bjorgum, PC

(57) **CLAIM**

The ornamental design for a combined waste and recycling bin, as shown and described.

**DESCRIPTION**

FIG. 1 is a front left perspective view of the combined waste and recycle bin of the invention in a closed condition; FIG. 2 is a front right perspective view of the combined waste and recycle bin of FIG. 1 in an open condition; FIG. 3 is a top view of the combined waste and recycle bin of FIG. 1; FIG. 4 is a front view of the combined waste and recycle bin of FIG. 1; FIG. 5 is a rear view of the combined waste and recycle bin of FIG. 1; FIG. 6 is a right side view of the combined waste and recycle bin of FIG. 1; and, FIG. 7 is a left side view of the combined waste and recycle bin of FIG. 1.

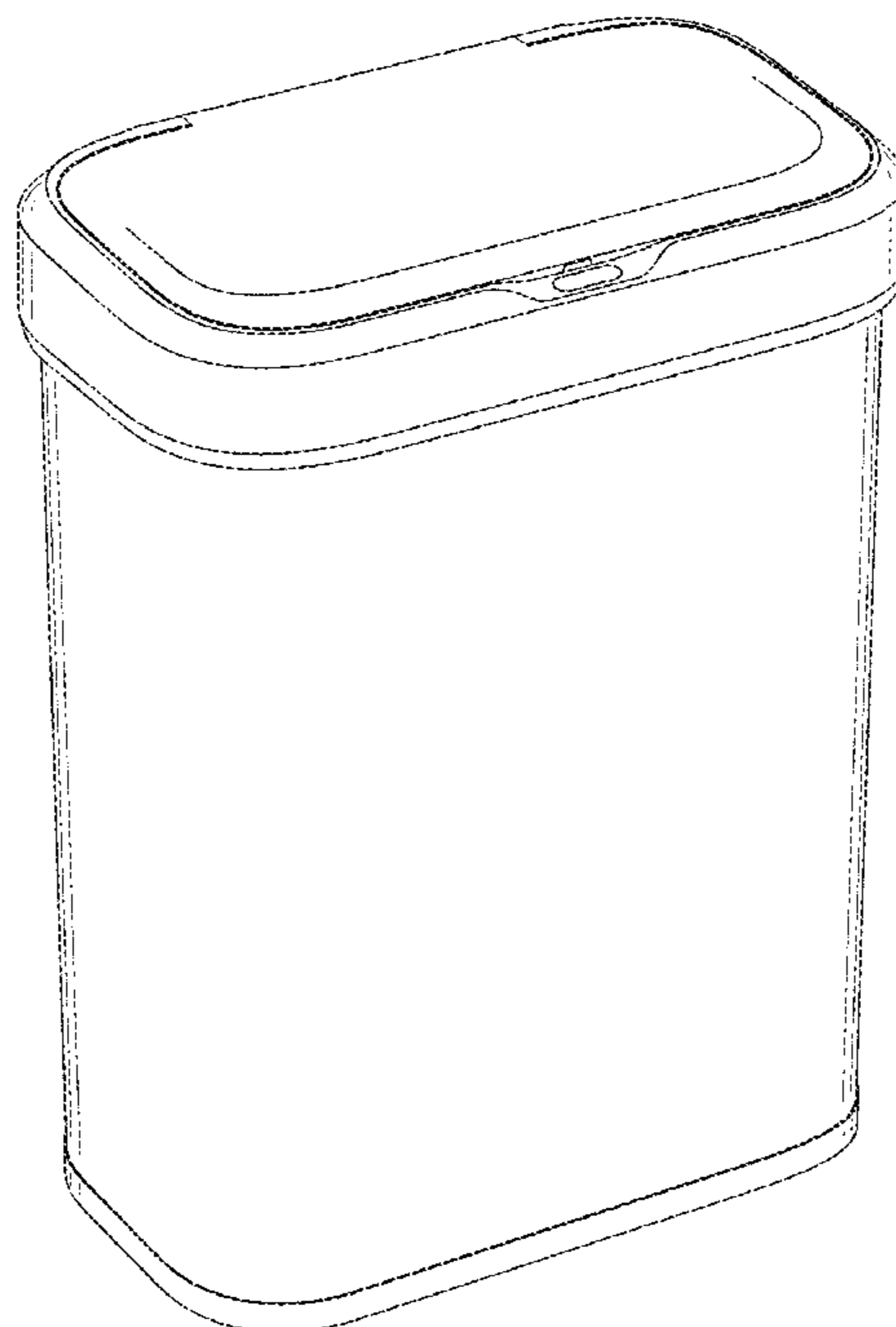
The broken lines in the figures shown portions of the combined waste and recycling bin, which form no part of the claimed design.

**1 Claim, 6 Drawing Sheets**

(56) **References Cited**

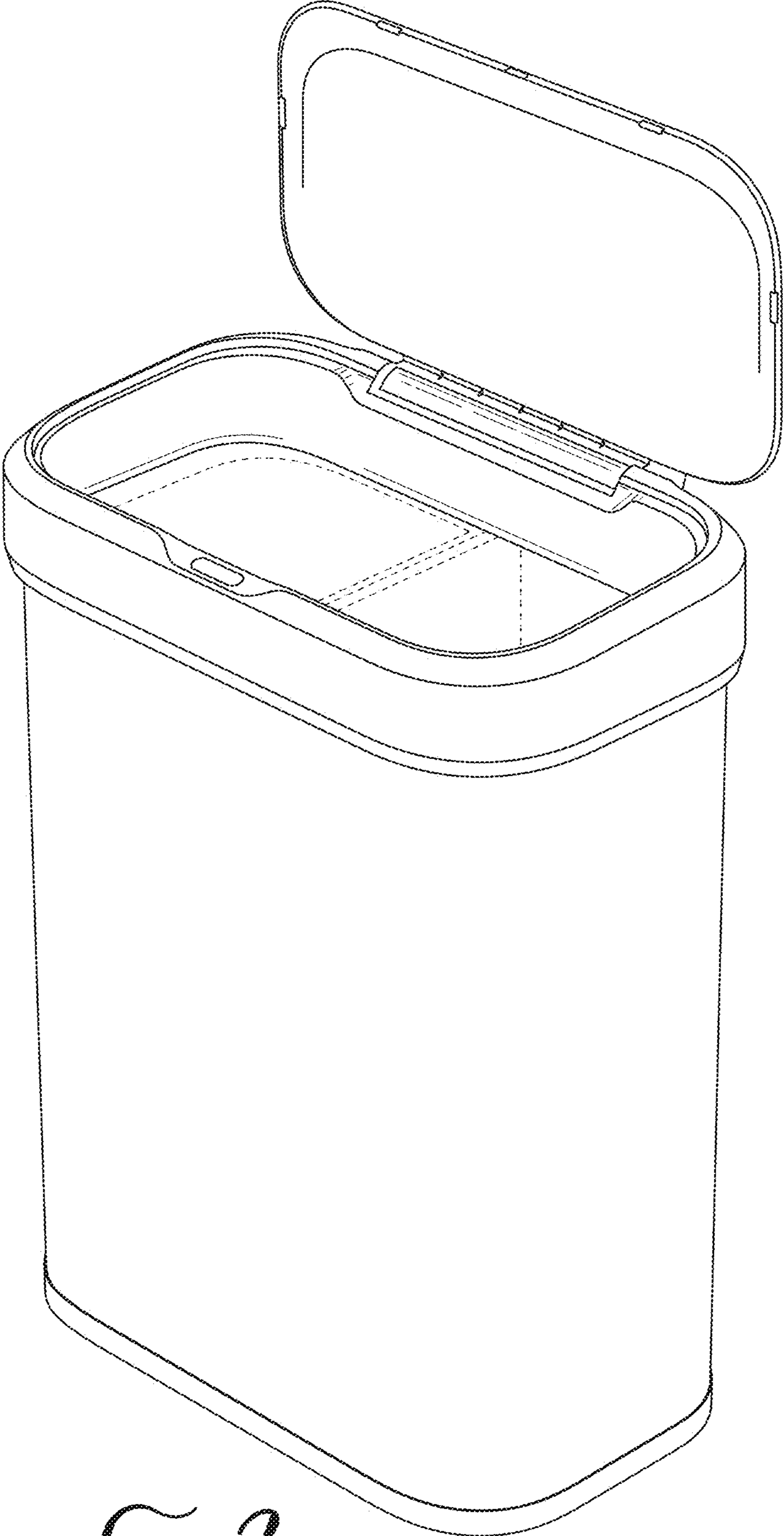
U.S. PATENT DOCUMENTS

- D578,266 S \* 10/2008 Yang ..... D34/7
- D580,613 S \* 11/2008 Yang ..... D34/7
- D634,911 S \* 3/2011 Yang ..... D34/7
- D762,037 S \* 7/2016 Chen ..... D34/7
- D790,145 S \* 6/2017 Chen ..... D34/7
- D793,642 S \* 8/2017 Yang ..... D34/7
- D809,729 S \* 2/2018 Chen ..... D34/7
- D835,374 S \* 12/2018 Yang ..... D34/7
- D855,919 S \* 8/2019 Yang ..... D34/7
- D872,959 S \* 1/2020 Chen ..... D34/7
- D915,713 S \* 4/2021 Chen ..... D34/9

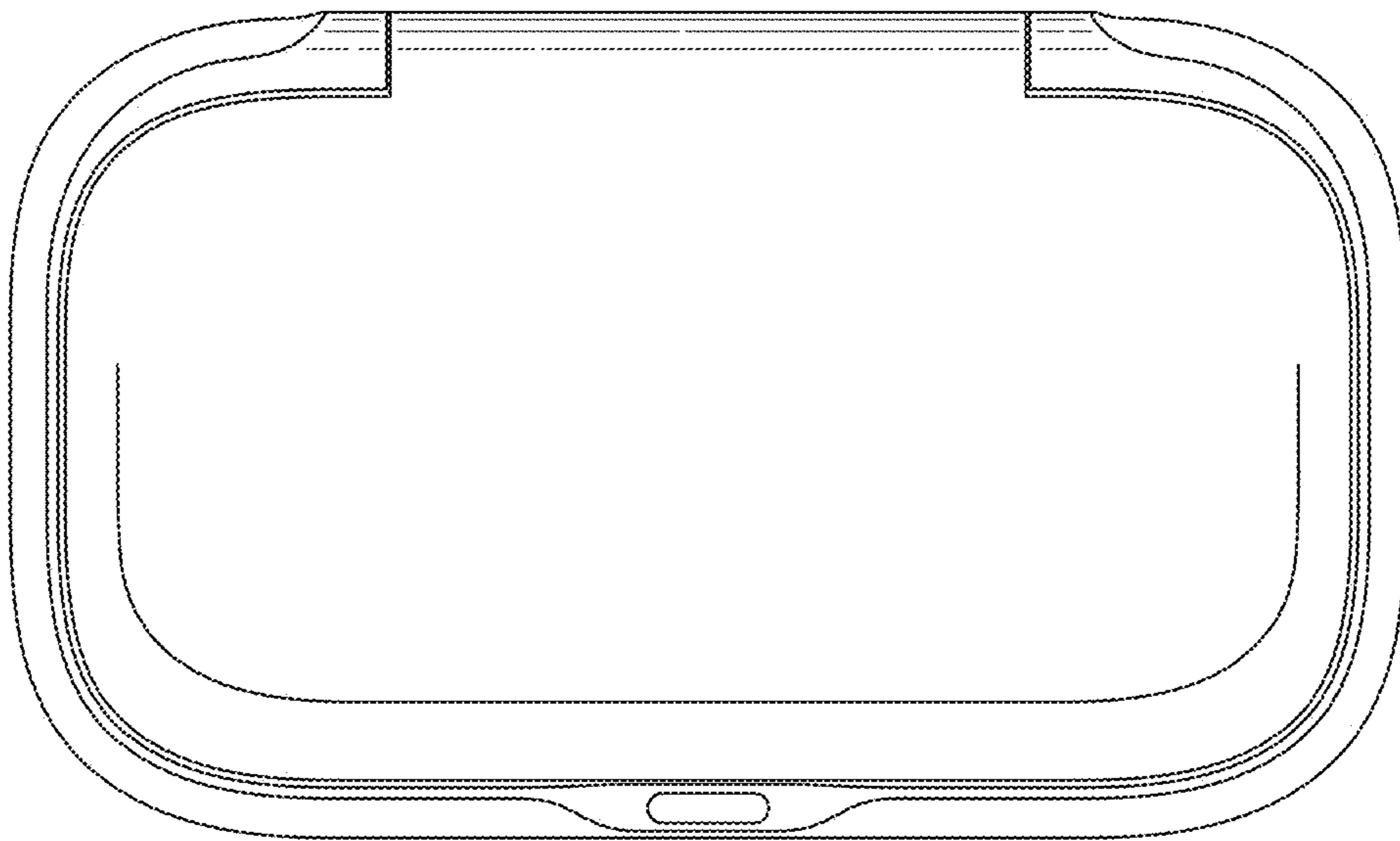




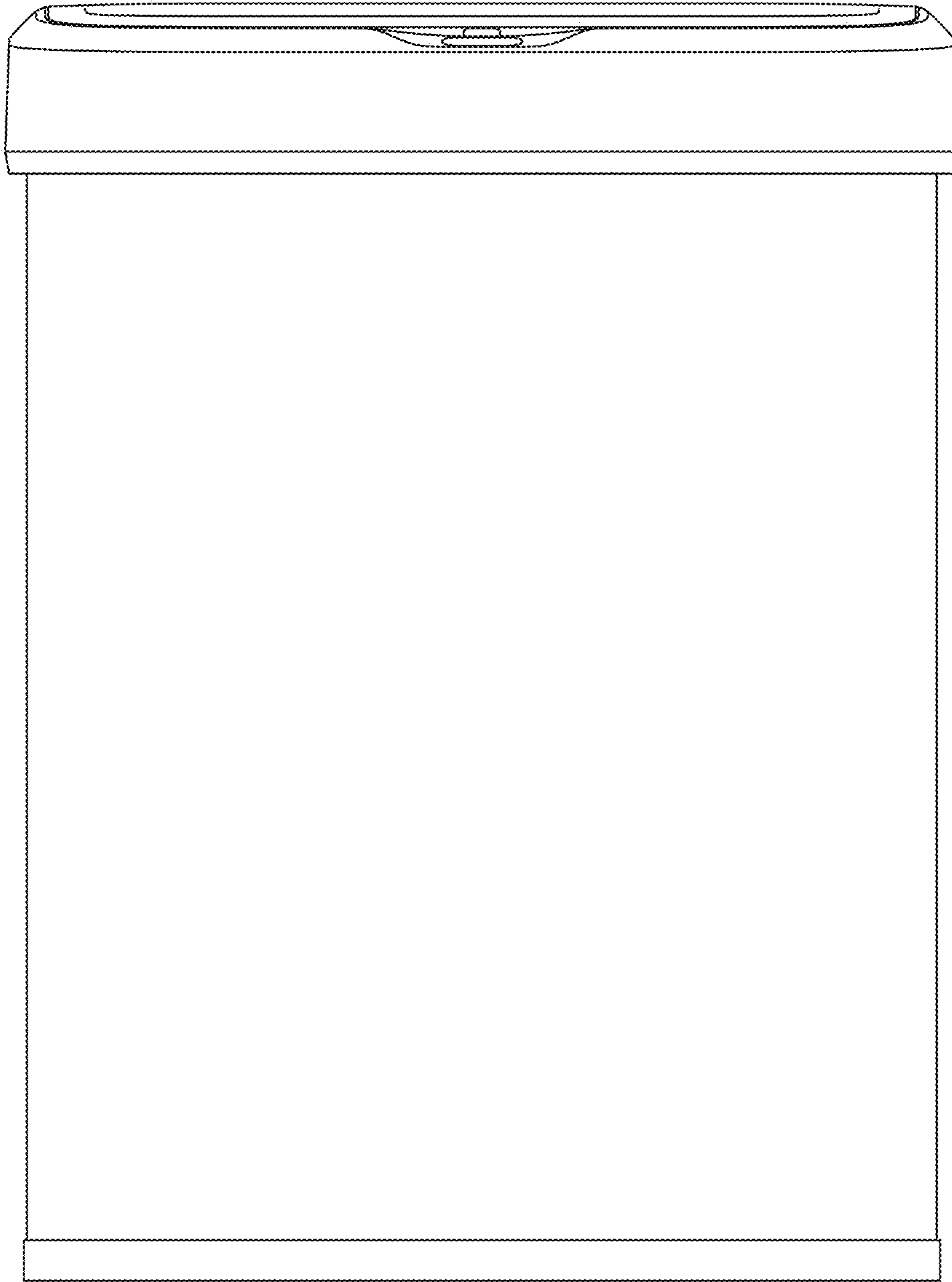
*FIG. 1*



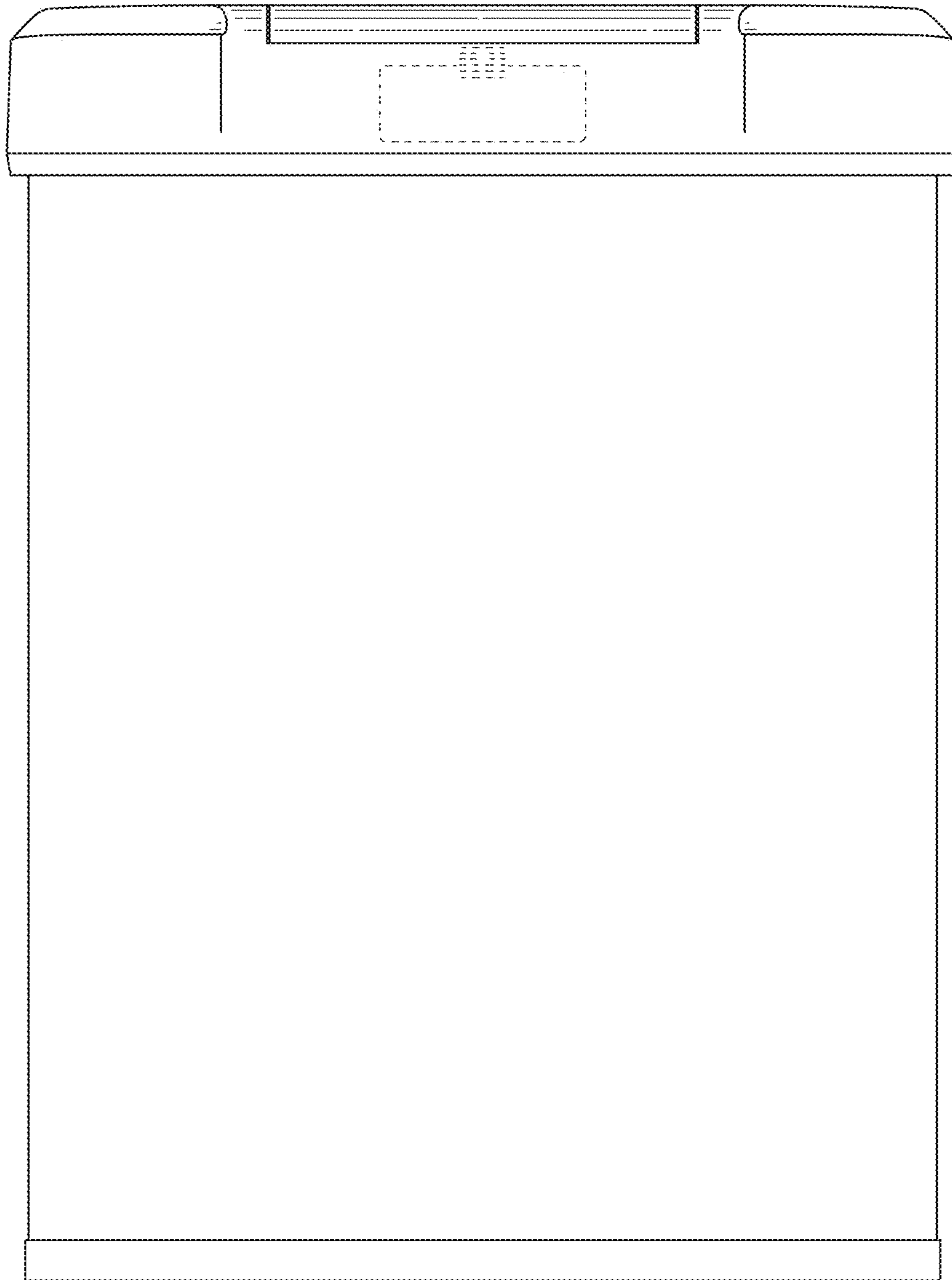
*FIG. 2*



*FIG. 3*

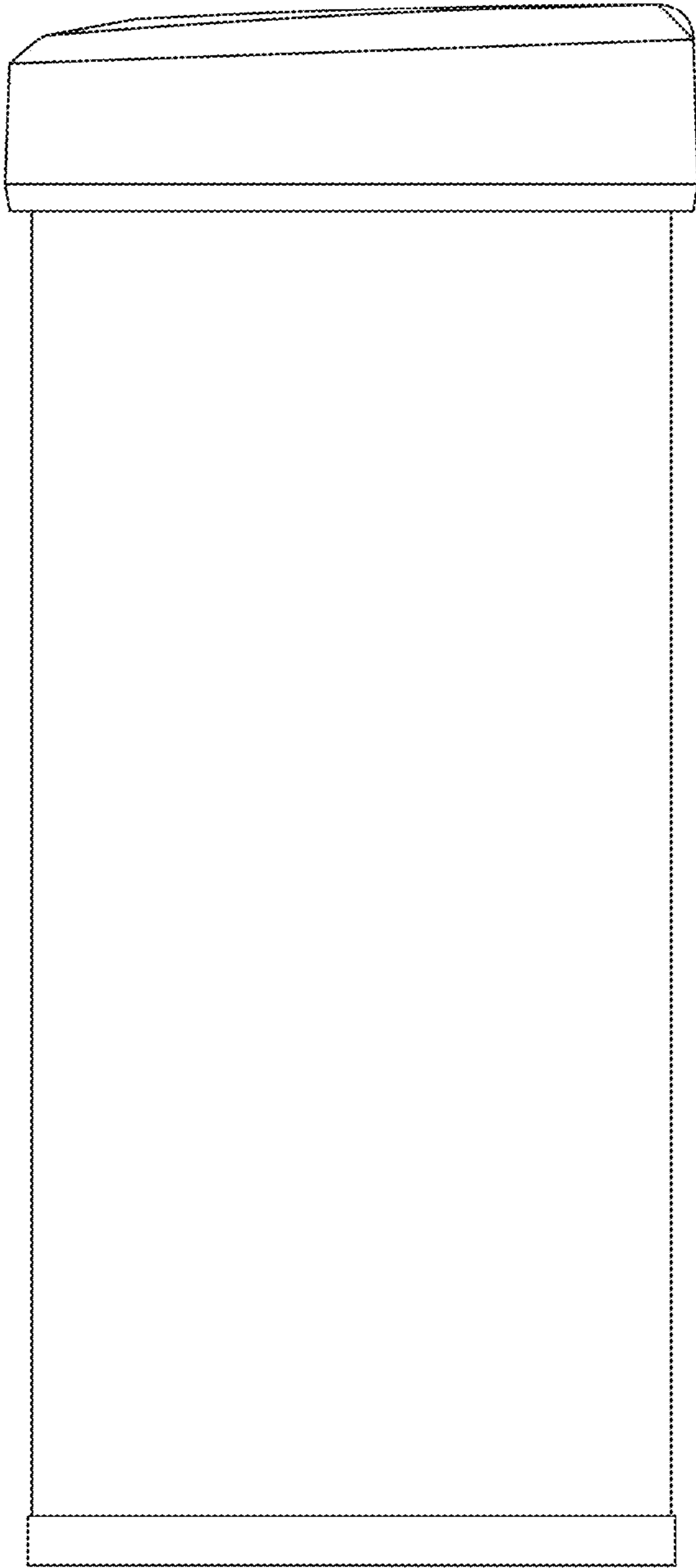


*FIG. 4*

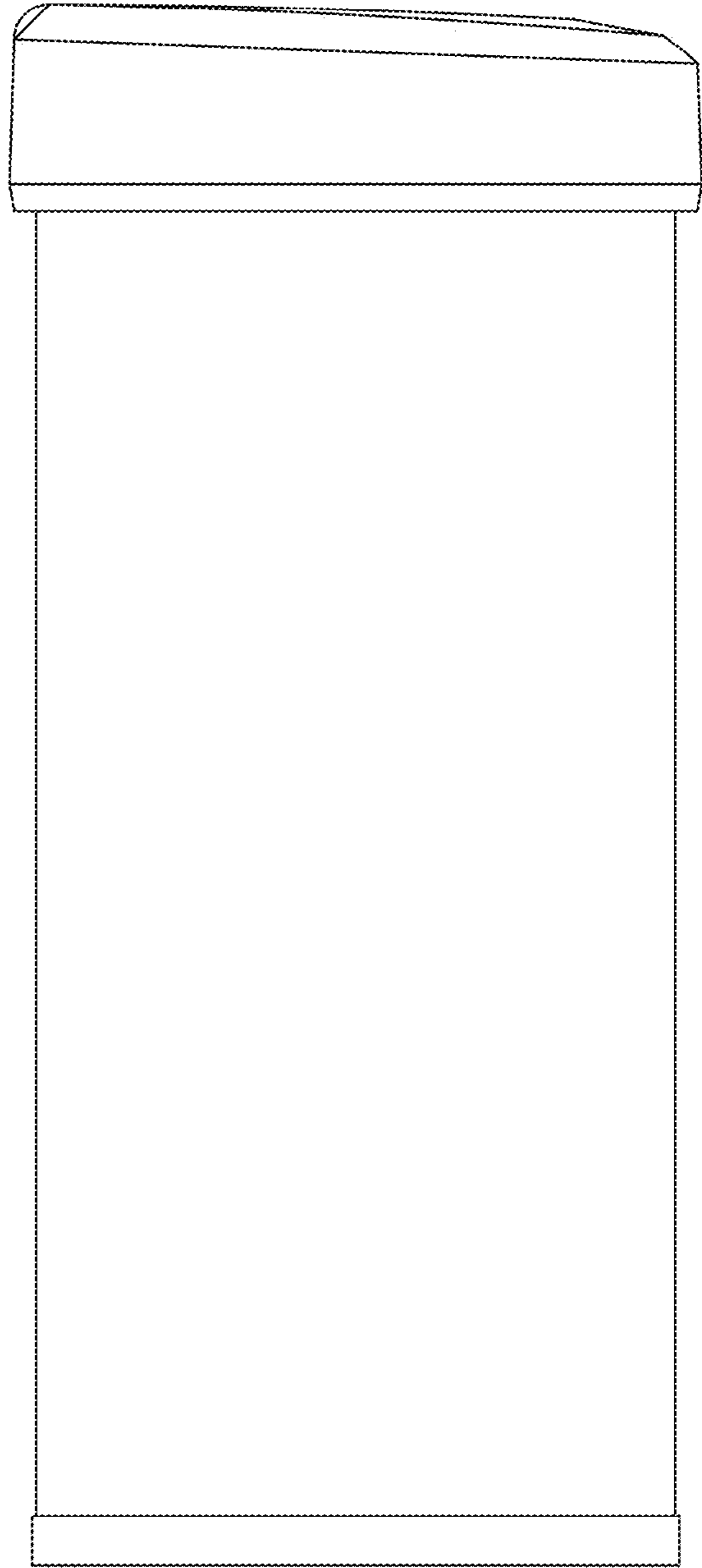


*Fig. 5*





*FIG. 6*



*FIG. 7*