



US00D954376S

(12) **United States Design Patent**
Bae et al.

(10) **Patent No.:** **US D954,376 S**
(45) **Date of Patent:** **** *Jun. 7, 2022**

(54) **IRONING BOARD**

FOREIGN PATENT DOCUMENTS

(71) Applicant: **LG ELECTRONICS INC.**, Seoul
(KR)

WO D206722-001 * 8/2021
WO D207428-001 * 8/2021
WO D207572-001 * 8/2021

(72) Inventors: **Jaeil Bae**, Seoul (KR); **Kyutae Park**,
Seoul (KR); **Kyungah Lee**, Seoul (KR);
Hoil Jeon, Seoul (KR); **Youngsoo Ha**,
Seoul (KR)

OTHER PUBLICATIONS

KAPAS Adjustable Garment Steamer, available in freestuff.cafe,
announced May 5, 2021 [online], [site visited Sep. 9, 2021], URL:
<https://freestuff.cafe/deals/kapas-adjustable-garment-steamer-accessories-for-clothes-build-in-rotatable-ironing-board-21l-water-tank-8-ironing-options-for-different-clothes/> (Year: 2021).*

(73) Assignee: **LG ELECTRONICS INC.**, Seoul
(KR)

(Continued)

(*) Notice: This patent is subject to a terminal disclaimer.

Primary Examiner — Dana K Weiland
Assistant Examiner — Jennylou M Binas

(**) Term: **15 Years**

(74) *Attorney, Agent, or Firm* — Birch, Stewart, Kolasch
& Birch, LLP

(21) Appl. No.: **29/725,590**

(57) **CLAIM**

(22) Filed: **Feb. 26, 2020**

We claim the ornamental design for an ironing board, as shown and described.

(30) **Foreign Application Priority Data**

Aug. 27, 2019 (KR) 30-2019-0040965

(51) **LOC (13) Cl.** **07-05**

(52) **U.S. Cl.**
USPC **D32/66**

(58) **Field of Classification Search**
USPC D32/6, 9, 12, 35, 66, 67; D21/526;
D6/559, 663, 668, 691.1, 691.3, 691.4,
D6/691.6

(Continued)

(56) **References Cited**

U.S. PATENT DOCUMENTS

D19,852 S * 5/1890 Hicks D32/66
D47,601 S * 7/1915 Labadie D3/274

(Continued)

DESCRIPTION

FIG. 1 is a perspective view of an ironing board showing the new design;
FIG. 2 is a front elevation view thereof;
FIG. 3 is a rear elevation view thereof;
FIG. 4 is a left side elevation view thereof;
FIG. 5 is a right side elevation view thereof;
FIG. 6 is a top plan view thereof;
FIG. 7 is a bottom plan view thereof;
FIG. 8 is a perspective view of the ironing board showing an alternate configuration with the lower stand unfolded;
FIG. 9 is a front elevation view thereof;
FIG. 10 is a rear elevation view thereof;
FIG. 11 is a left side elevation view thereof;
FIG. 12 is a right side elevation view thereof;
FIG. 13 is a top plan view thereof;
FIG. 14 is a bottom plan view thereof;

(Continued)

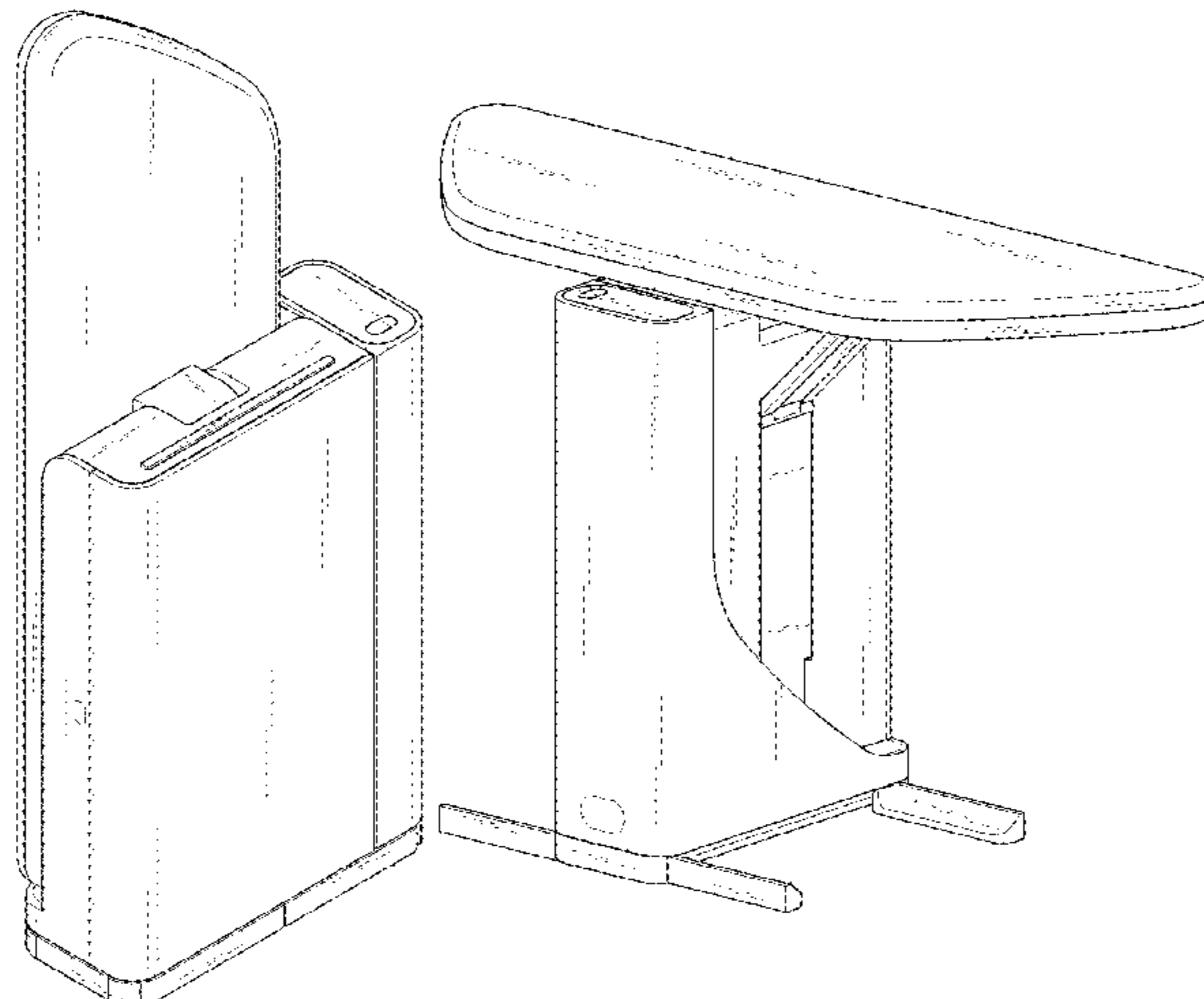


FIG. 15 is a front perspective view of the ironing board showing an alternate configuration with the upper board vertically rotated parallel to the lower stand;
 FIG. 16 is a rear perspective view thereof;
 FIG. 17 is a front elevation view thereof;
 FIG. 18 is a rear elevation view thereof;
 FIG. 19 is a left side elevation view thereof;
 FIG. 20 is a right side elevation view thereof;
 FIG. 21 is a top plan view thereof; and,
 FIG. 22 is a bottom plan view thereof.
 The parts of the ironing board shown by means of broken lines in the drawing figures are not part of the claimed design.

1 Claim, 22 Drawing Sheets

(58) **Field of Classification Search**

CPC A47B 39/06; A47B 46/00; A47B 61/02;
 A47B 63/04; A47B 77/10; A47B 77/16;
 D06F 81/00; D06F 81/003; D06F 81/006;
 D06F 81/02; D06F 81/04; D06F 81/06;
 D06F 81/08; D06F 81/12; D06F 83/00;
 Y10S 38/00; Y10S 38/01; Y10S 38/02;
 Y10S 38/03; Y10T 292/305

See application file for complete search history.

(56) **References Cited**

U.S. PATENT DOCUMENTS

D124,329 S * 12/1940 Parker D32/66
 D142,261 S * 8/1945 Meyerhoefer D32/66
 D159,952 S * 9/1950 Buser D32/66
 2,523,425 A * 9/1950 Gargaglione A47B 77/10
 108/13
 D167,456 S * 8/1952 Glassie D32/66

D182,902 S * 5/1958 Kempf D32/66
 D183,468 S * 9/1958 Turner D32/66
 D263,781 S * 4/1982 Pettersson D32/66
 D272,008 S * 12/1983 Flory D32/66
 D348,338 S * 6/1994 Stutzer D32/66
 D373,869 S * 9/1996 Stutzer D32/66
 D413,699 S * 9/1999 Evans D32/37
 D426,040 S * 5/2000 Wicky D32/66
 D468,139 S * 1/2003 Strong D6/709.2
 D520,207 S * 5/2006 Gross D32/66
 D543,671 S * 5/2007 Chu D32/66
 D543,672 S * 5/2007 Chu D32/66
 D546,515 S * 7/2007 Wicky D32/66
 D608,515 S * 1/2010 Park D32/66
 D704,912 S * 5/2014 Gameiro D32/66
 D732,771 S * 6/2015 Chung D32/25
 D776,388 S * 1/2017 Hernandez D32/66
 D858,022 S * 8/2019 Wang D32/66
 D937,524 S * 11/2021 Park D32/66
 D939,170 S * 12/2021 Park D32/66

OTHER PUBLICATIONS

Miele B3847 Fashionmaster Ironing System,date 1st available Mar. 9, 2017[online],[site visited Sep. 9, 2021], Available from the internet URL: https://www.amazon.ca/Miele-B3847-Fashionmaster-Ironing-System/dp/B01N705TG5/ref=sr_1_1?dchild=1&keywords=Miele+FashionMaster+Ironing+System&qid=1631218268&sr=8-1 (Year: 2017).*

Flash Furniture Trapezoid Table,available in Amazon.com, date 1st available Mar. 26, 2012[online],[site visited Sep. 21, 2021],Available internet URL: https://www.amazon.com/Flash-Furniture-Trapezoid-Laminate-Activity/dp/B00777WHJQ/ref=sr_1_1?dchild=1&keywords=B00777WHJQ&qid=1632242139&s=home-garden&sr=1-1 (Year: 2012).*

10 Best Ironing Boards to Buy in 2021, available in www.goodhousekeeping.com, announced May 24, 2021 [online], [site visited Nov. 16, 2020], Internet URL: <https://www.goodhousekeeping.com/home-products/g36343446/best-ironing-board/> (Year: 2021).*

* cited by examiner

FIG. 1

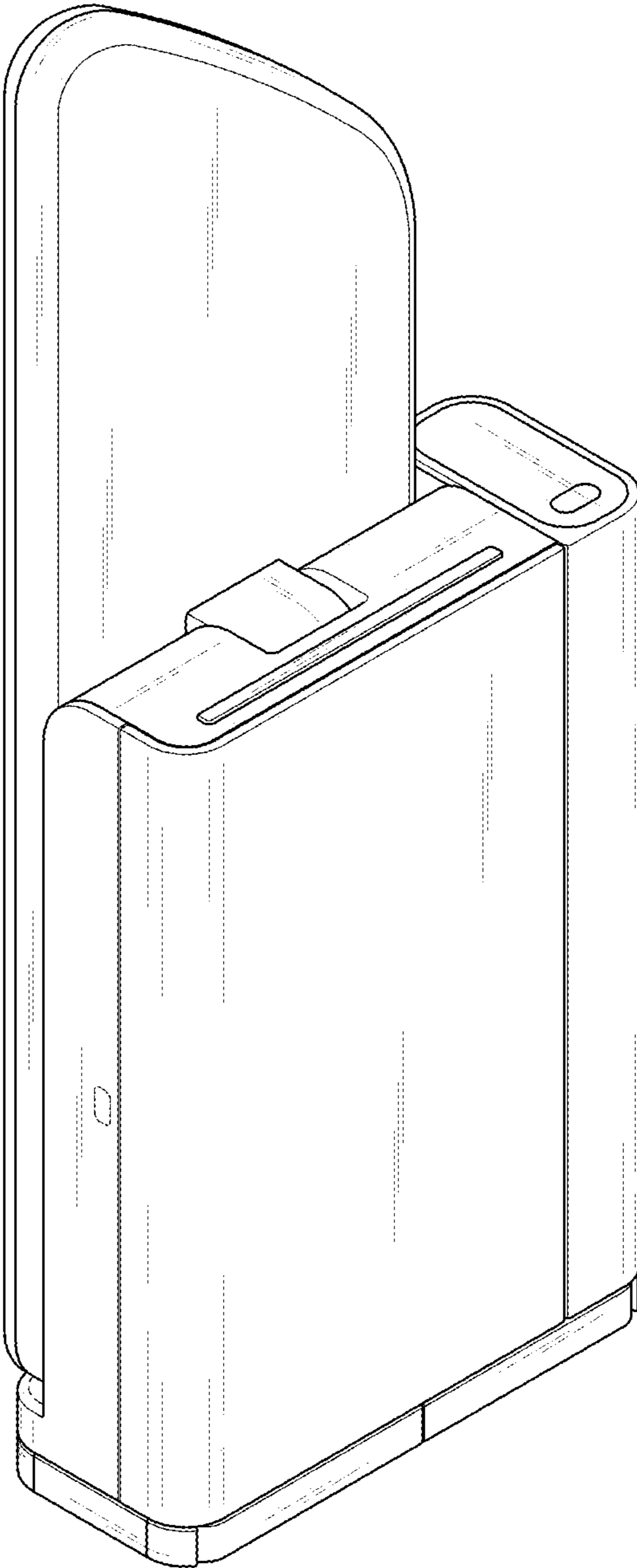


FIG. 2

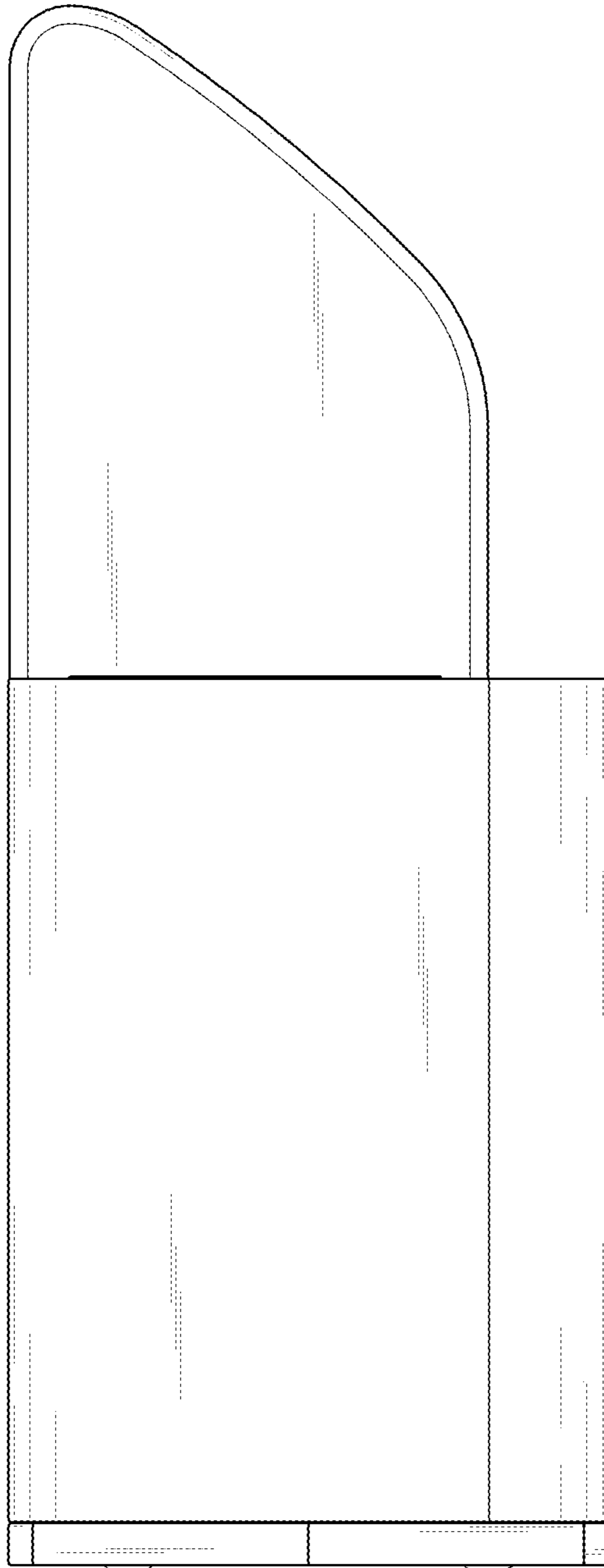


FIG. 3

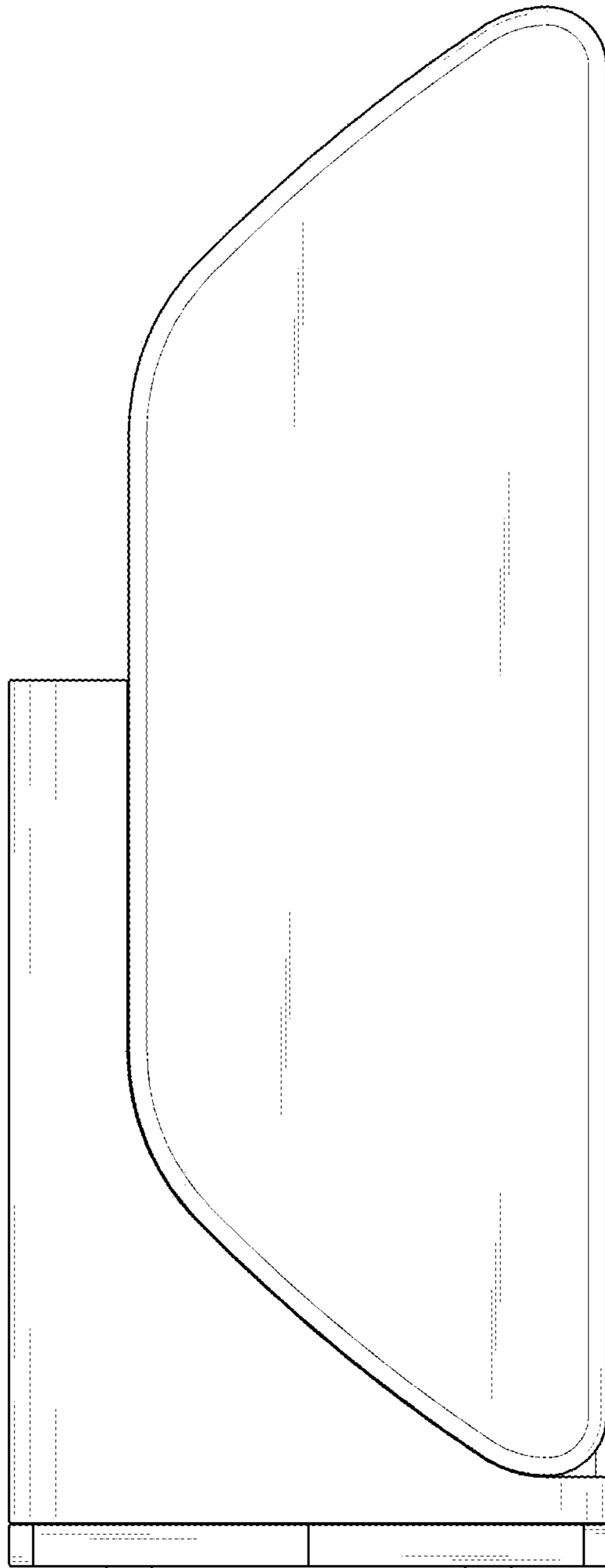


FIG. 4

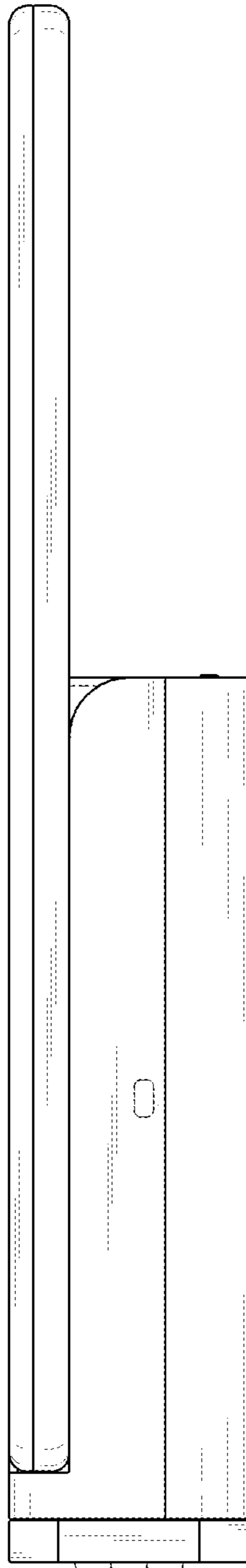


FIG. 5

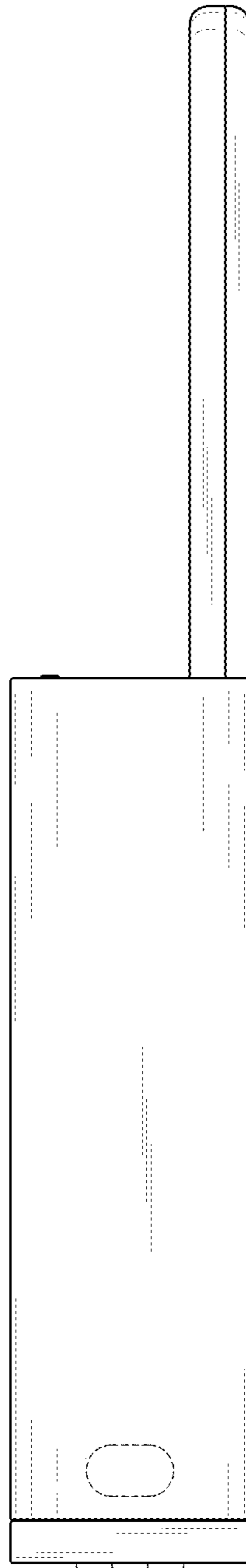


FIG. 6

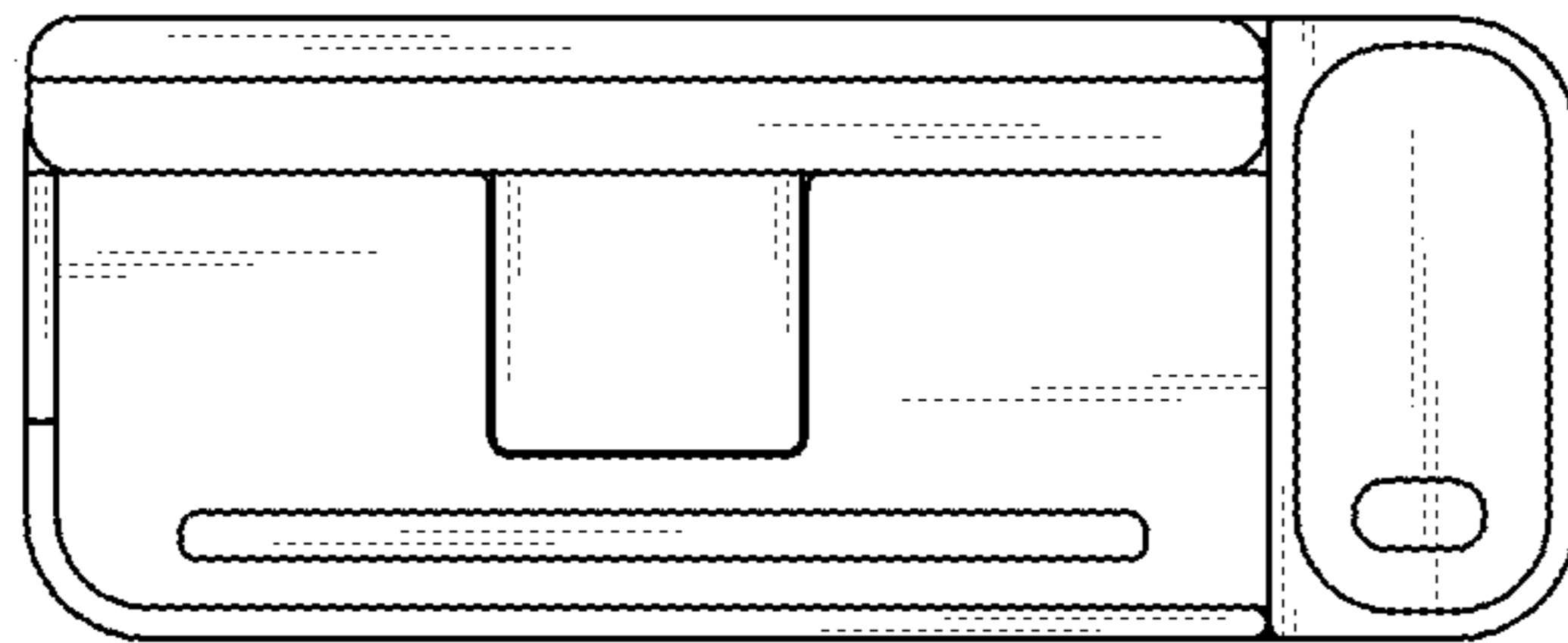


FIG. 7

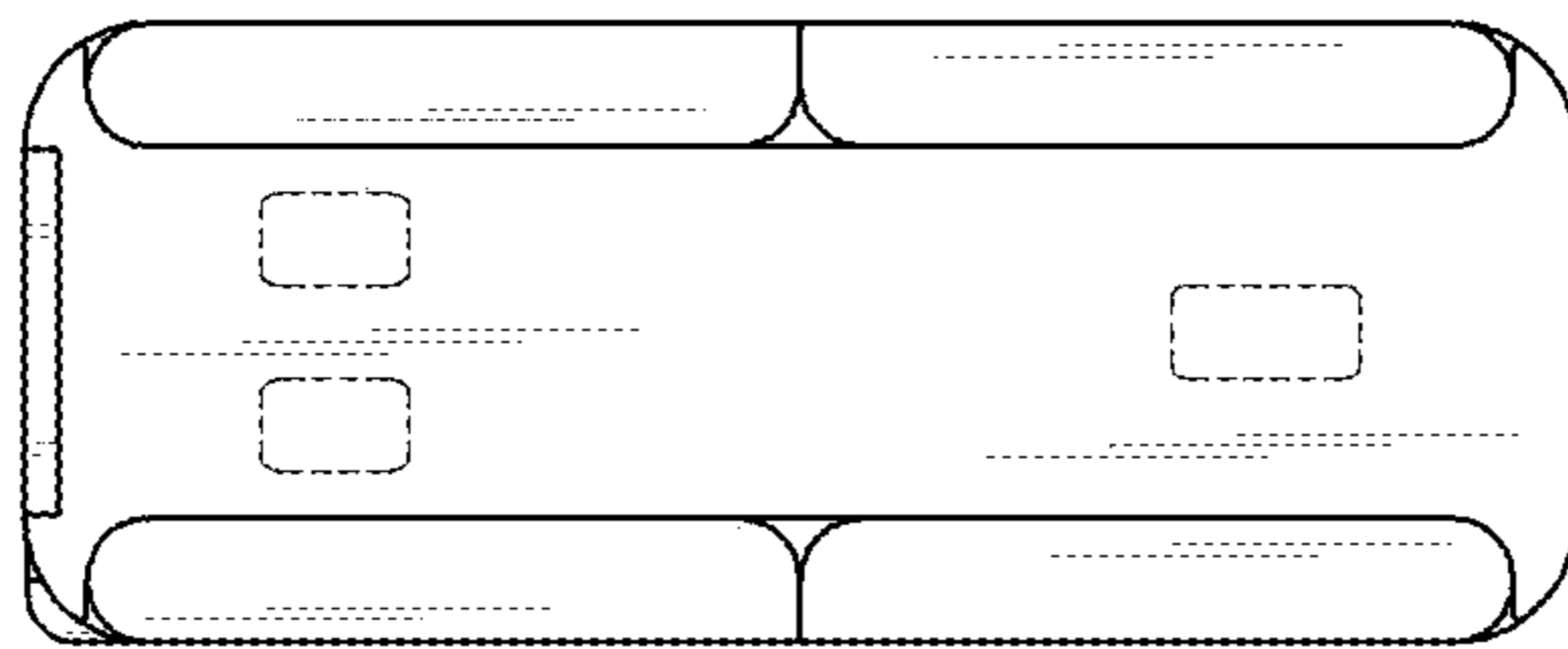


FIG. 8

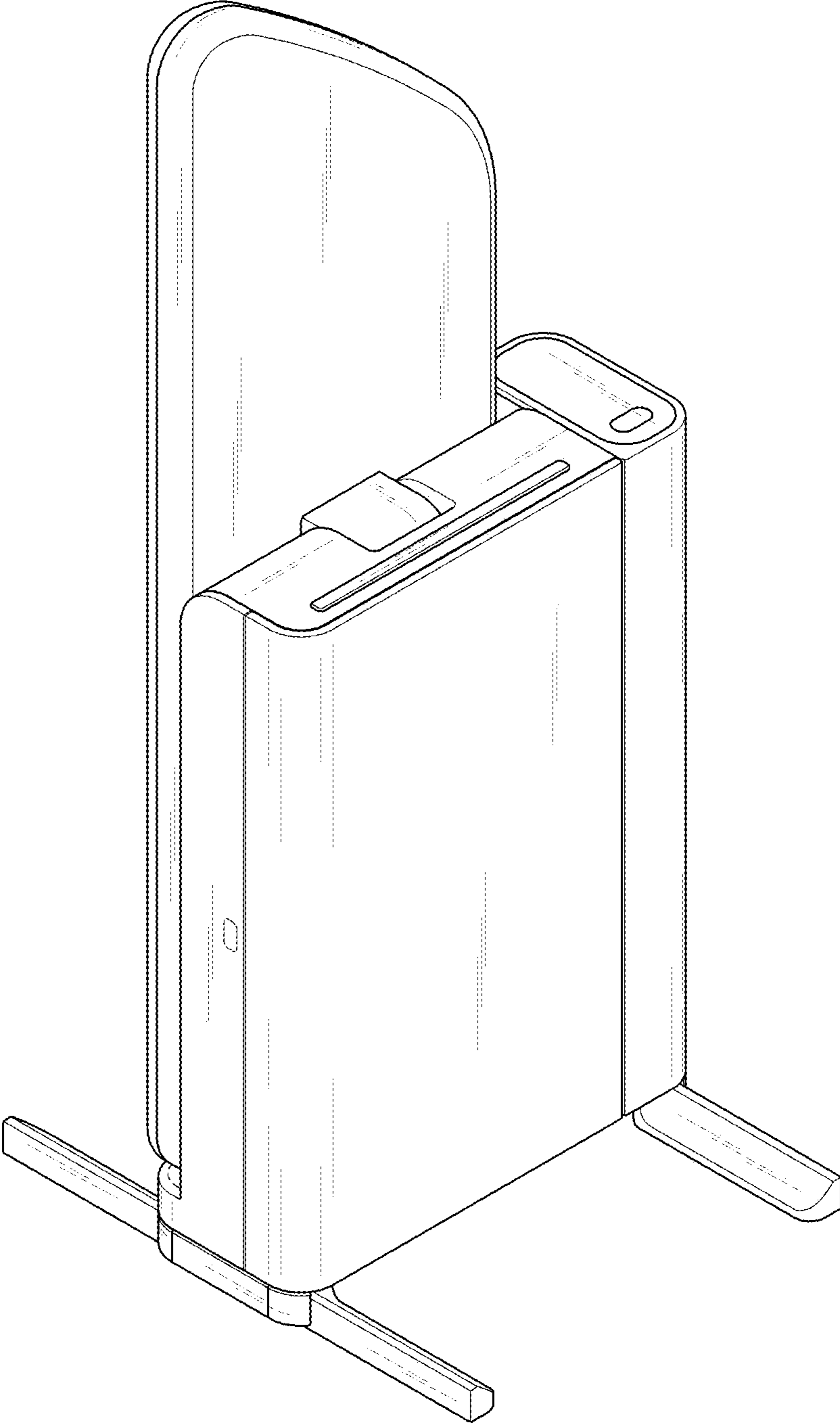


FIG. 9

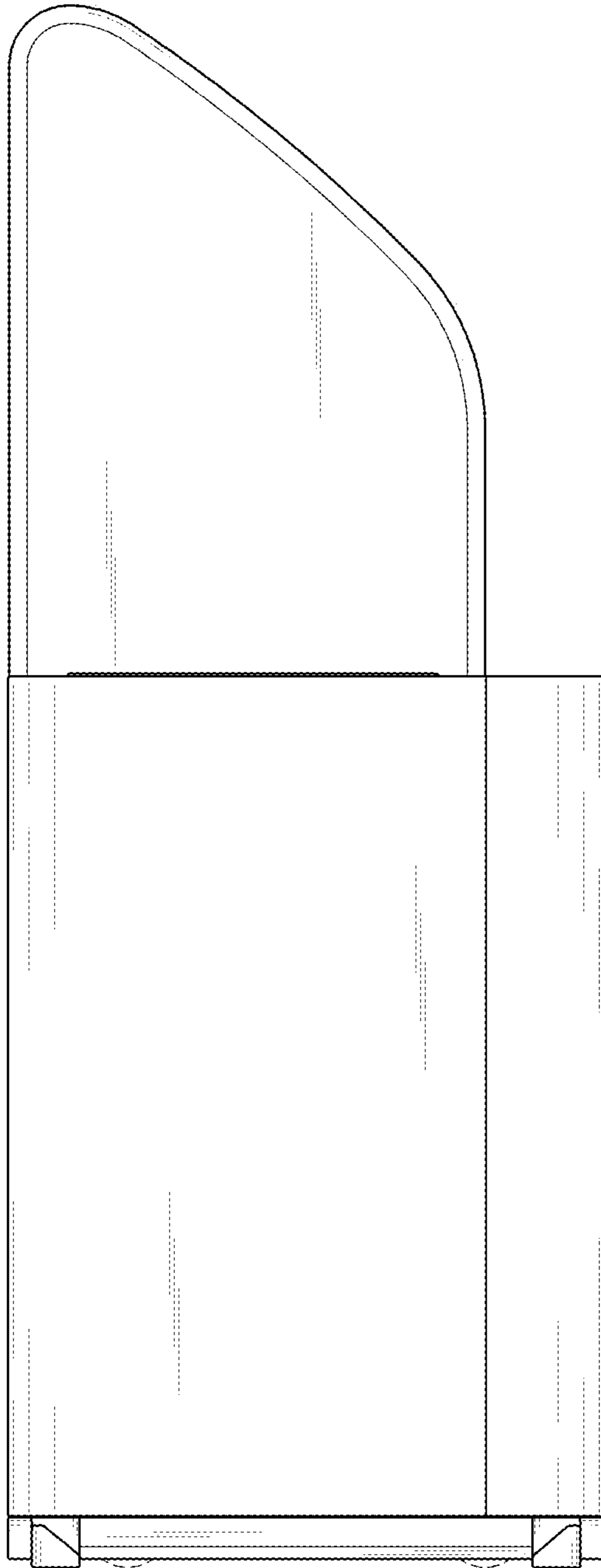


FIG. 10

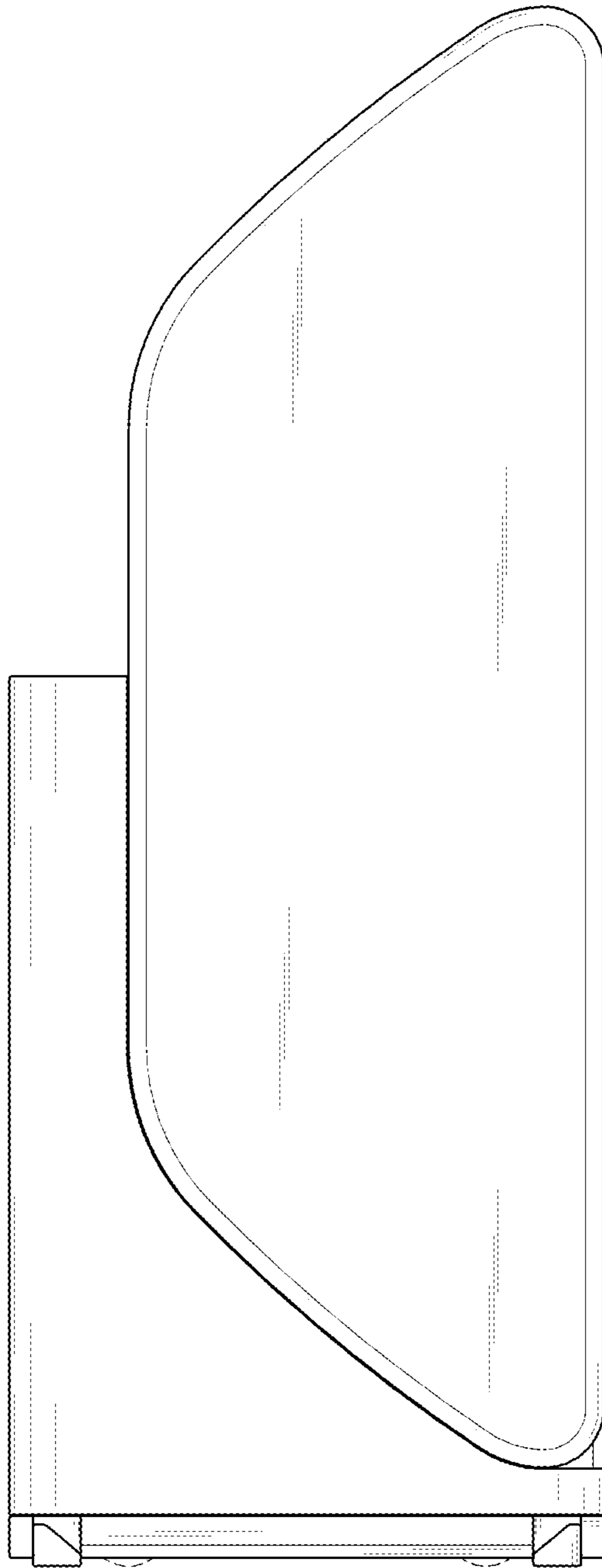


FIG. 11

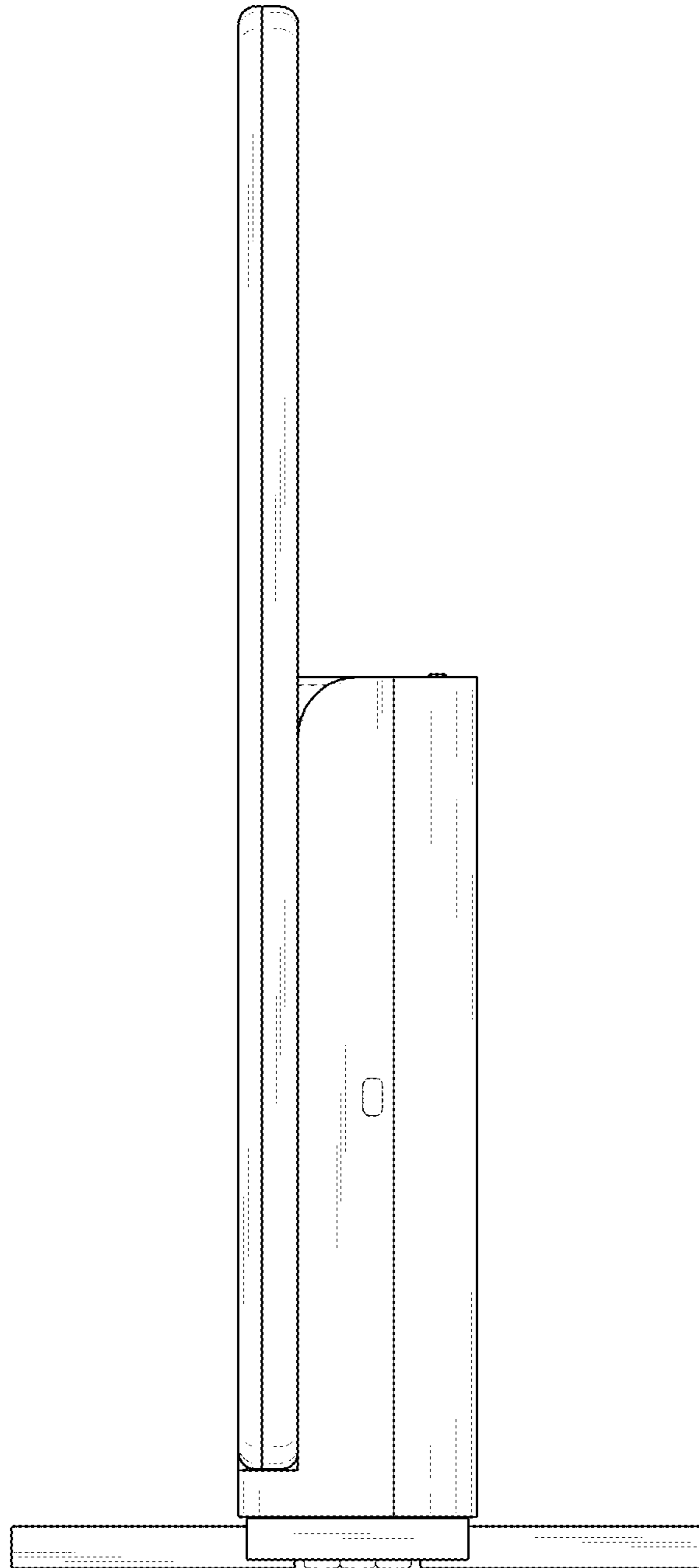


FIG. 12

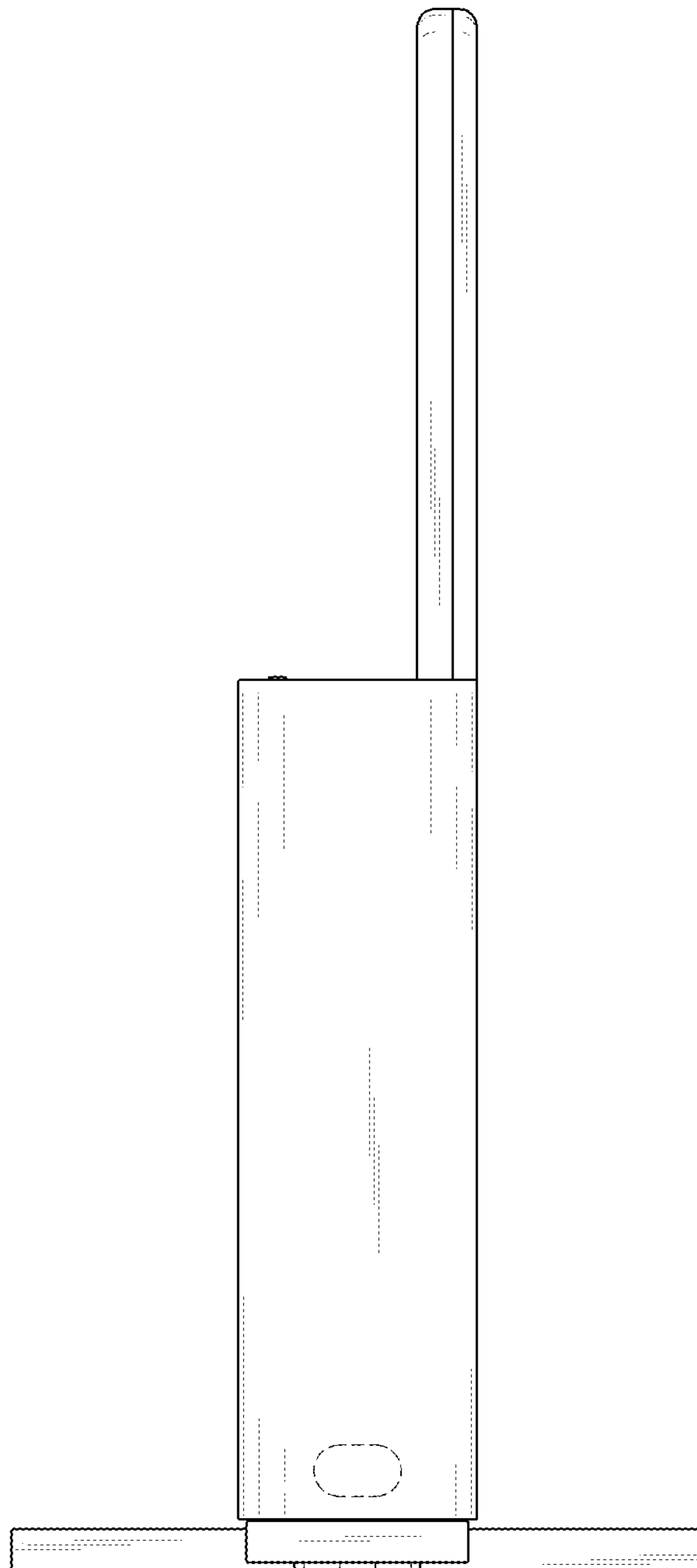


FIG. 13

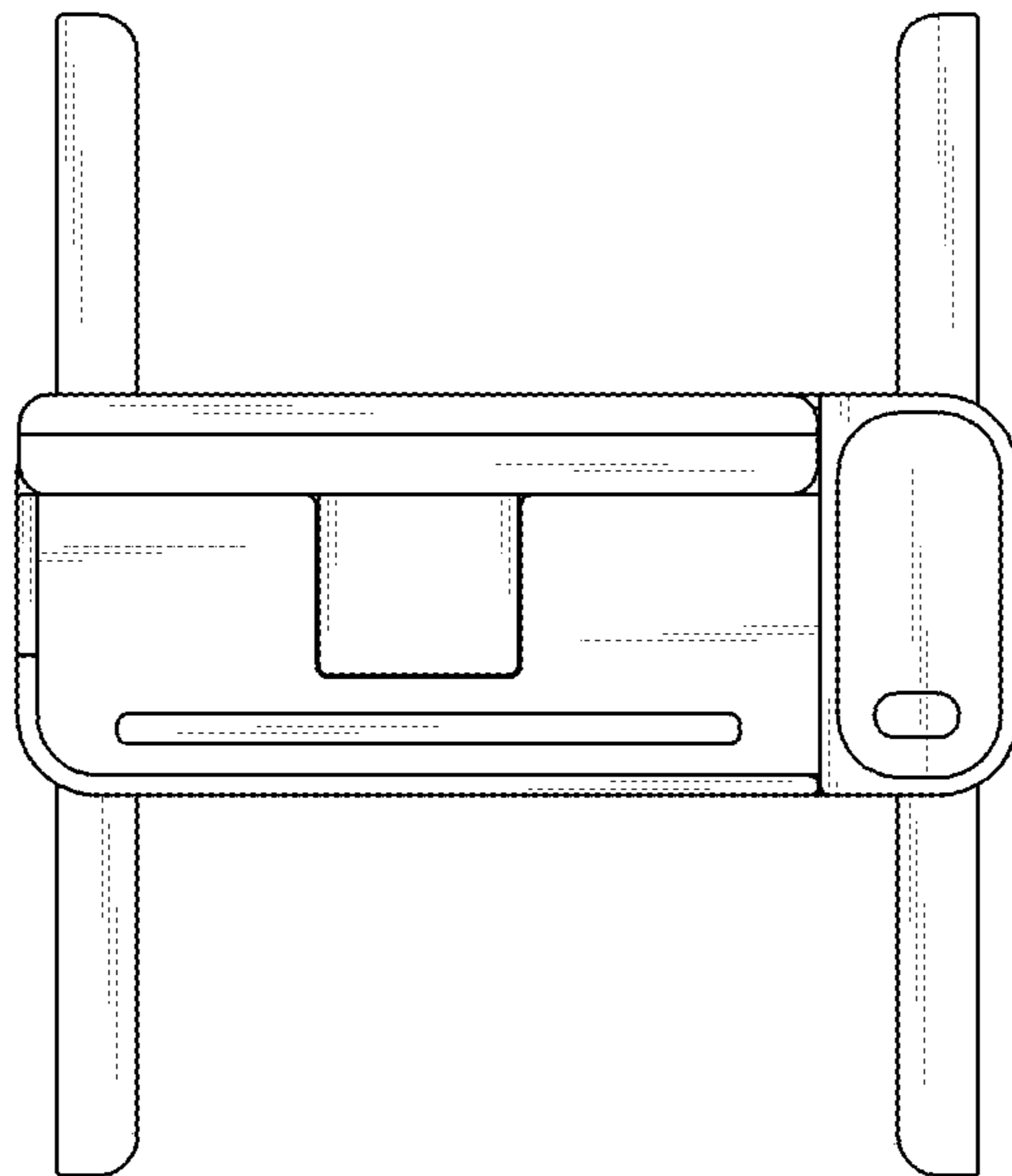


FIG. 14

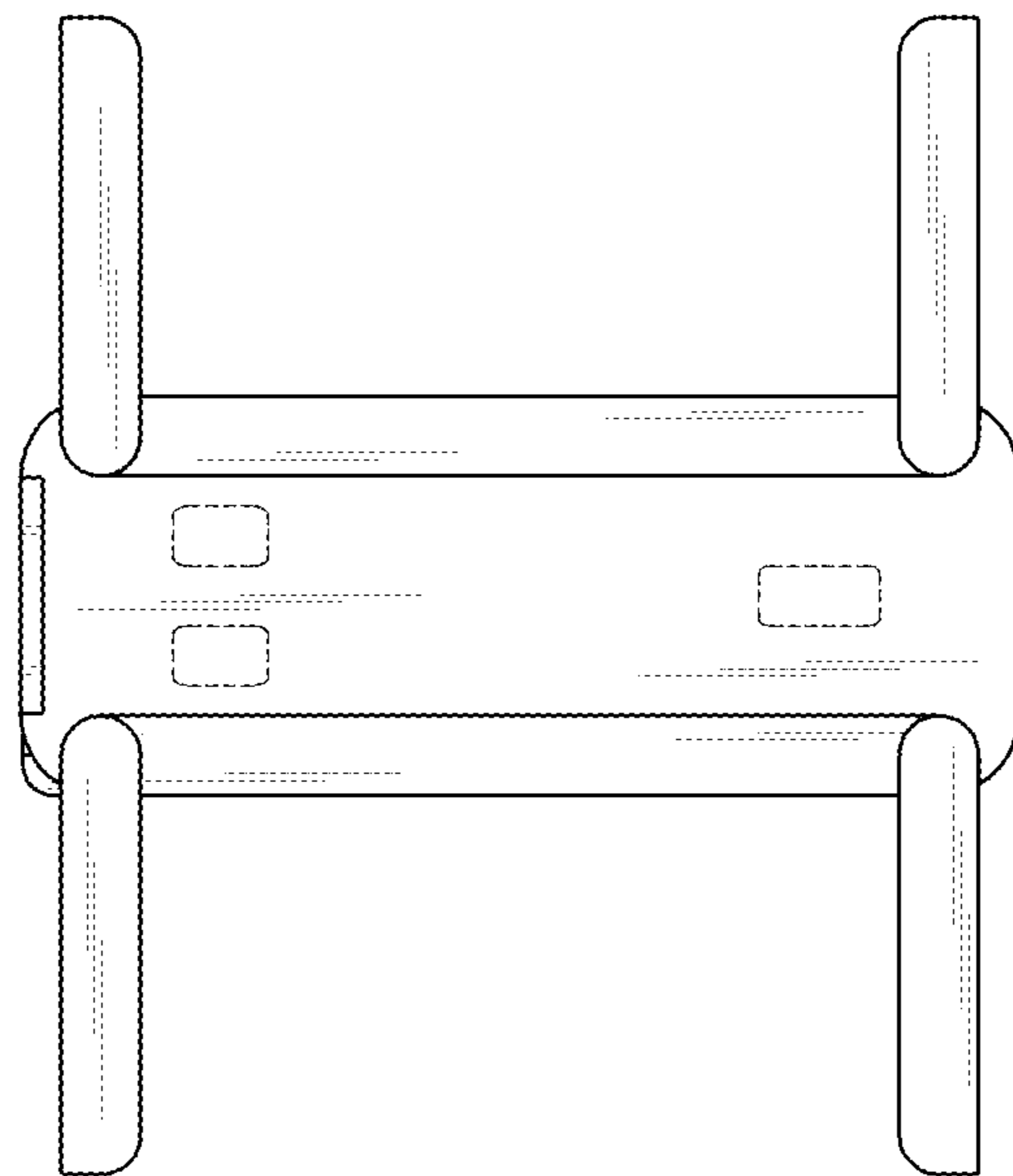


FIG. 15

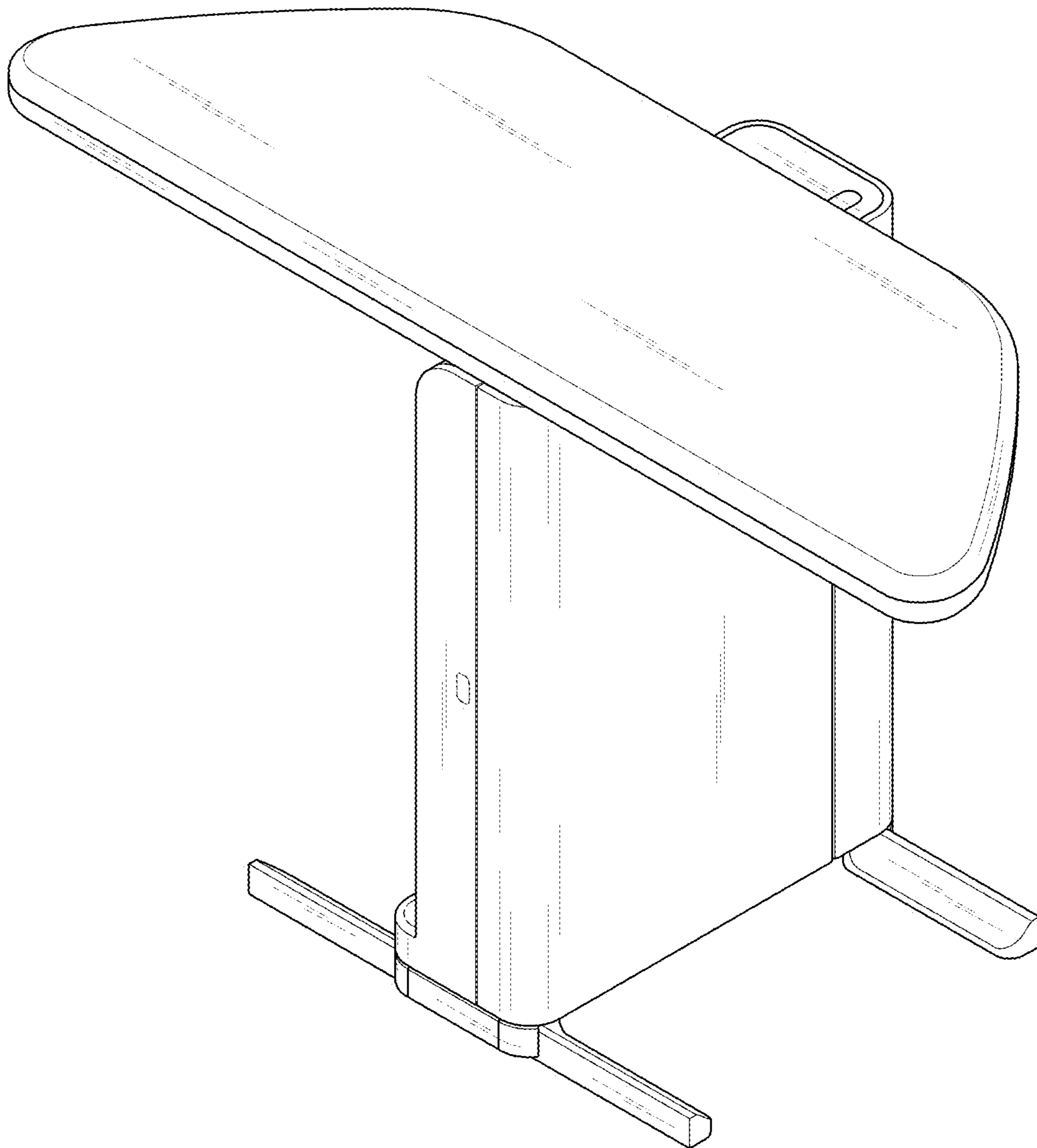


FIG. 16

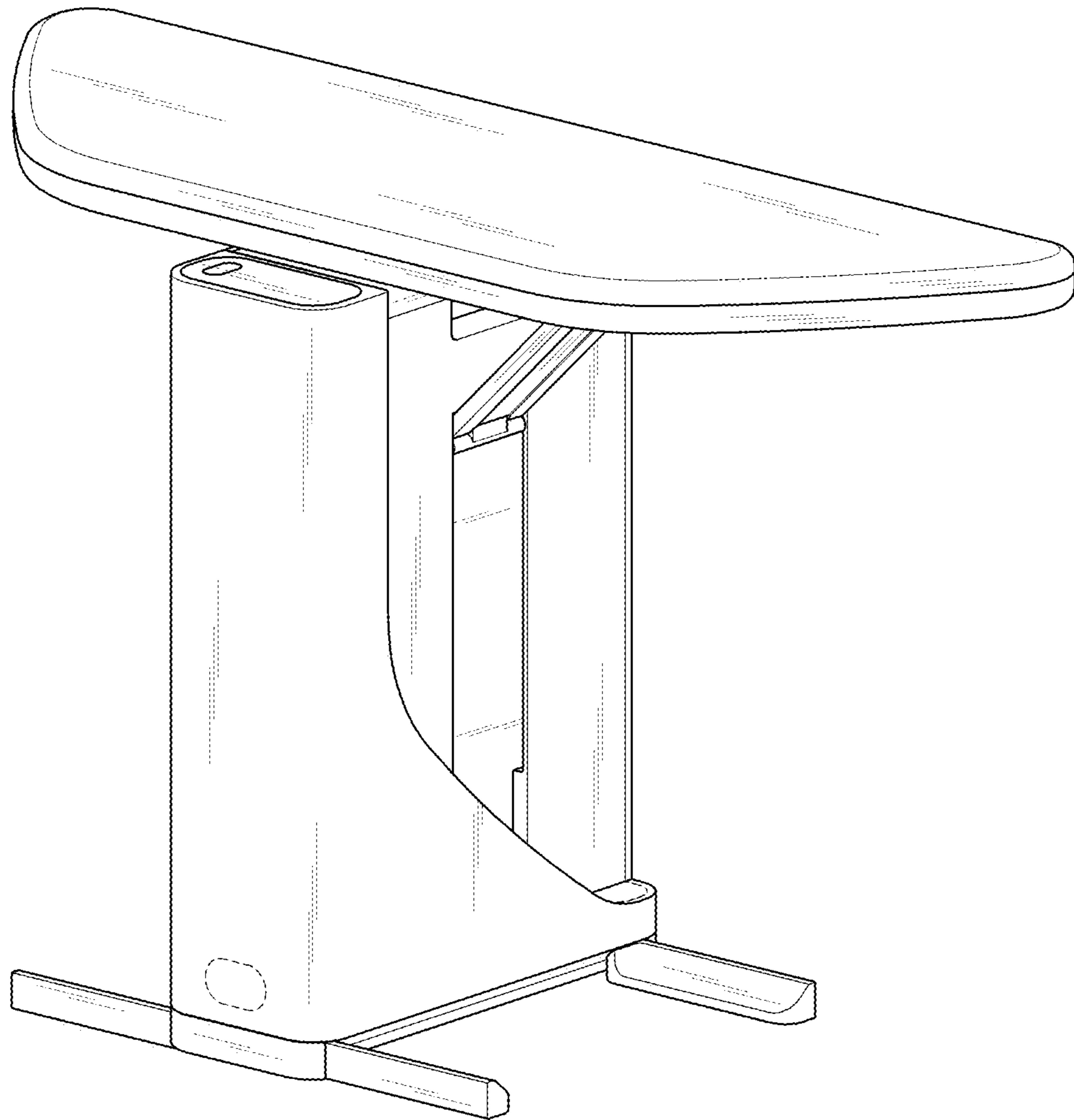


FIG. 17

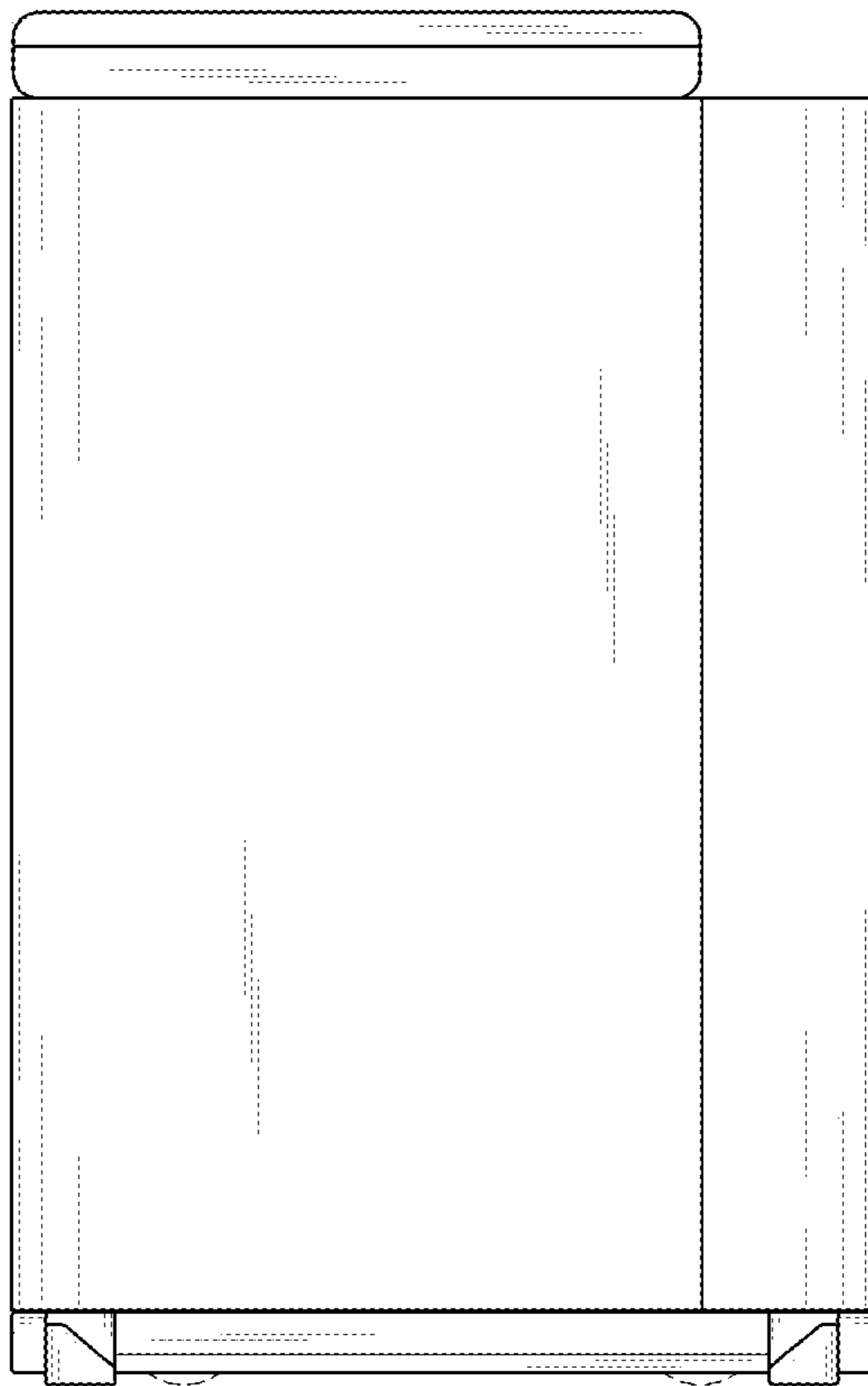


FIG. 18

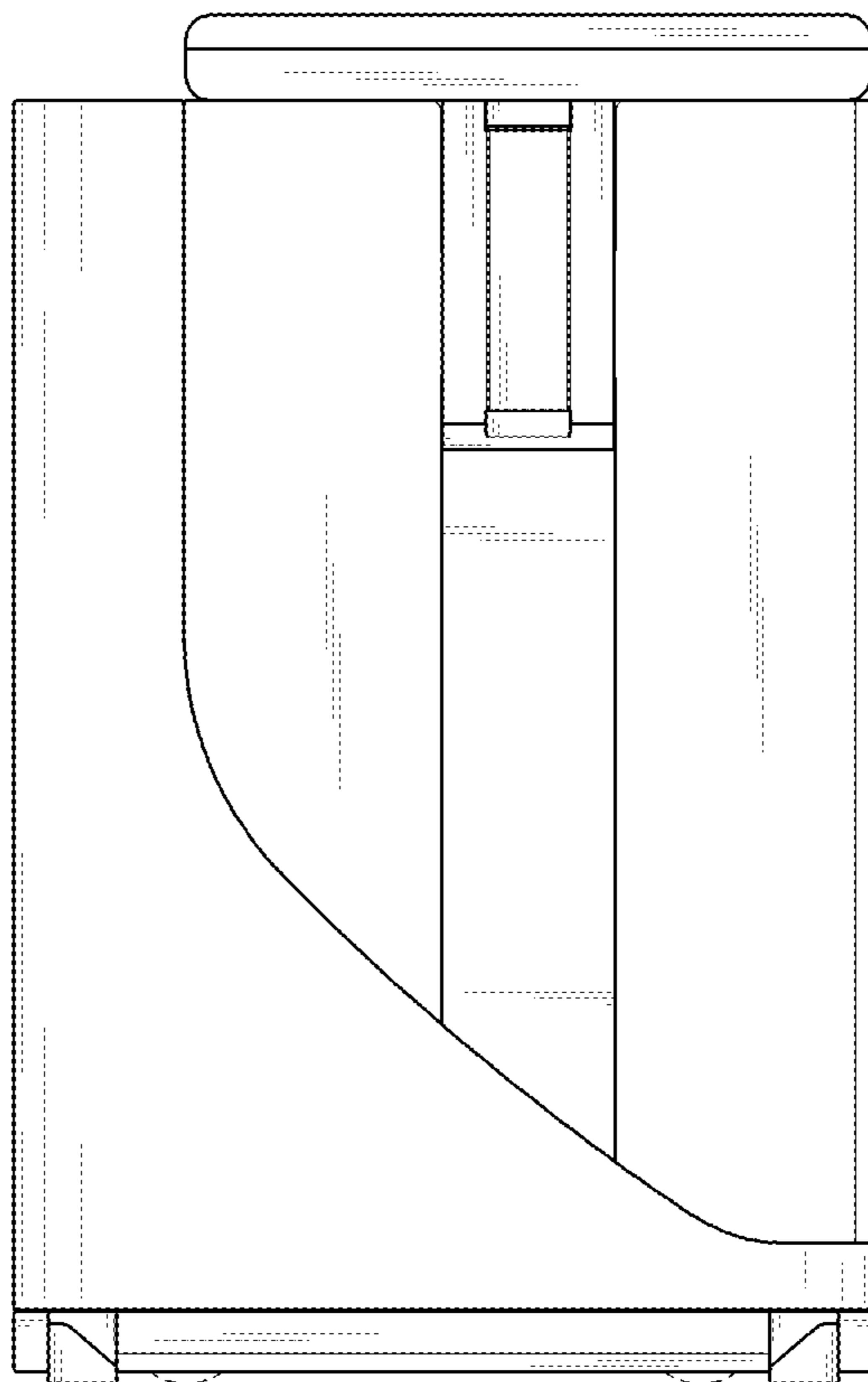


FIG. 19

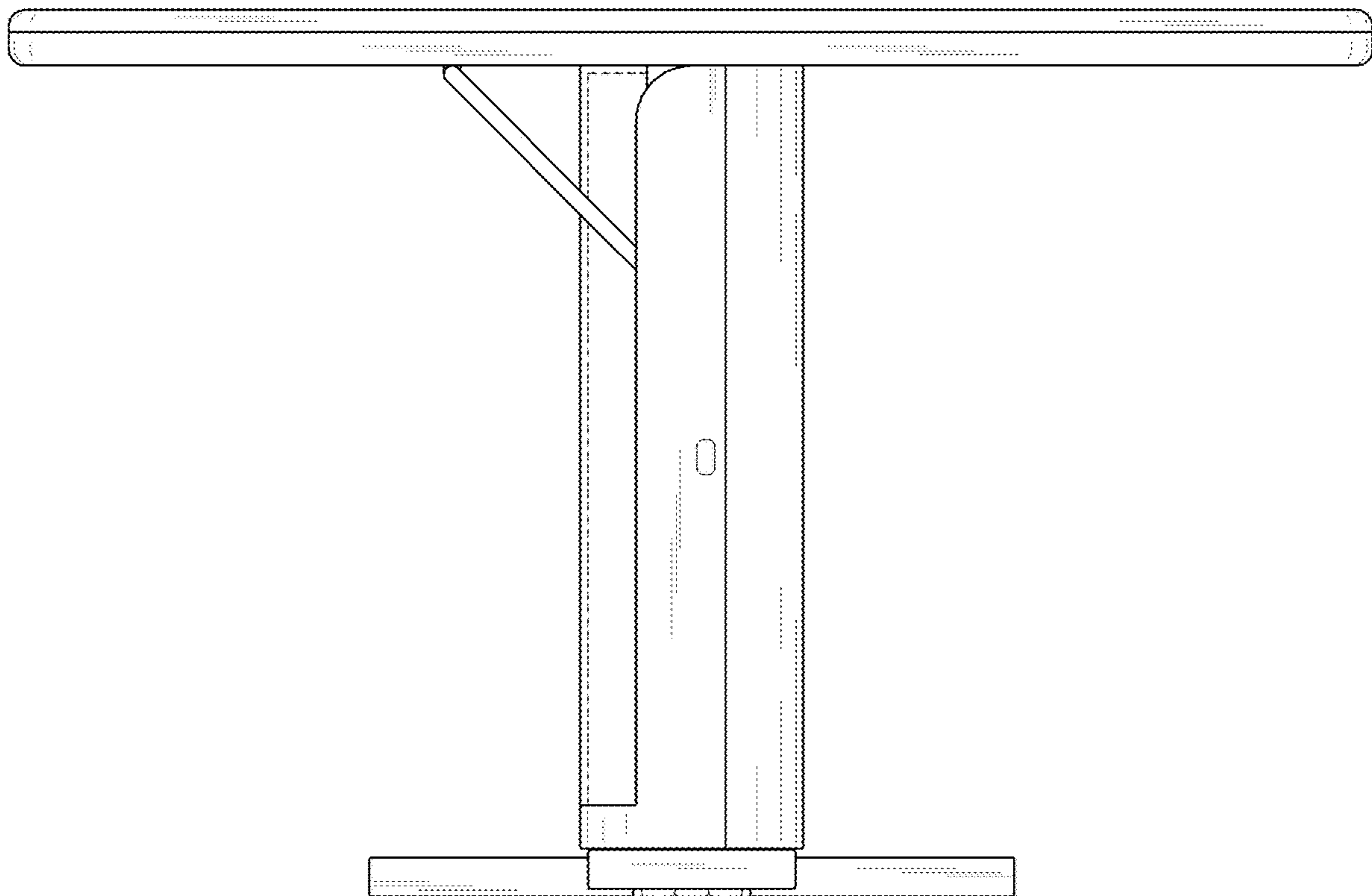


FIG. 20

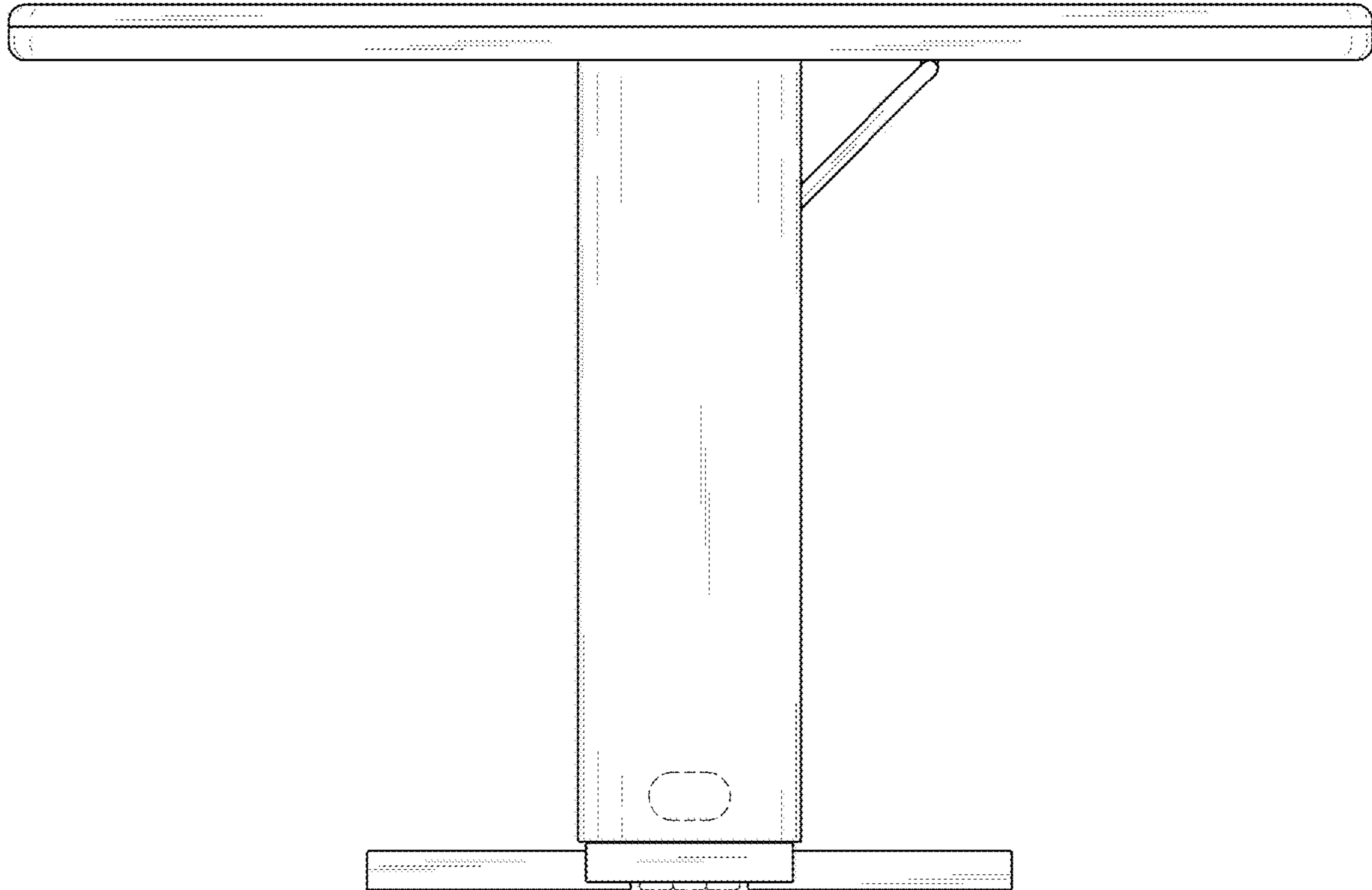


FIG. 21

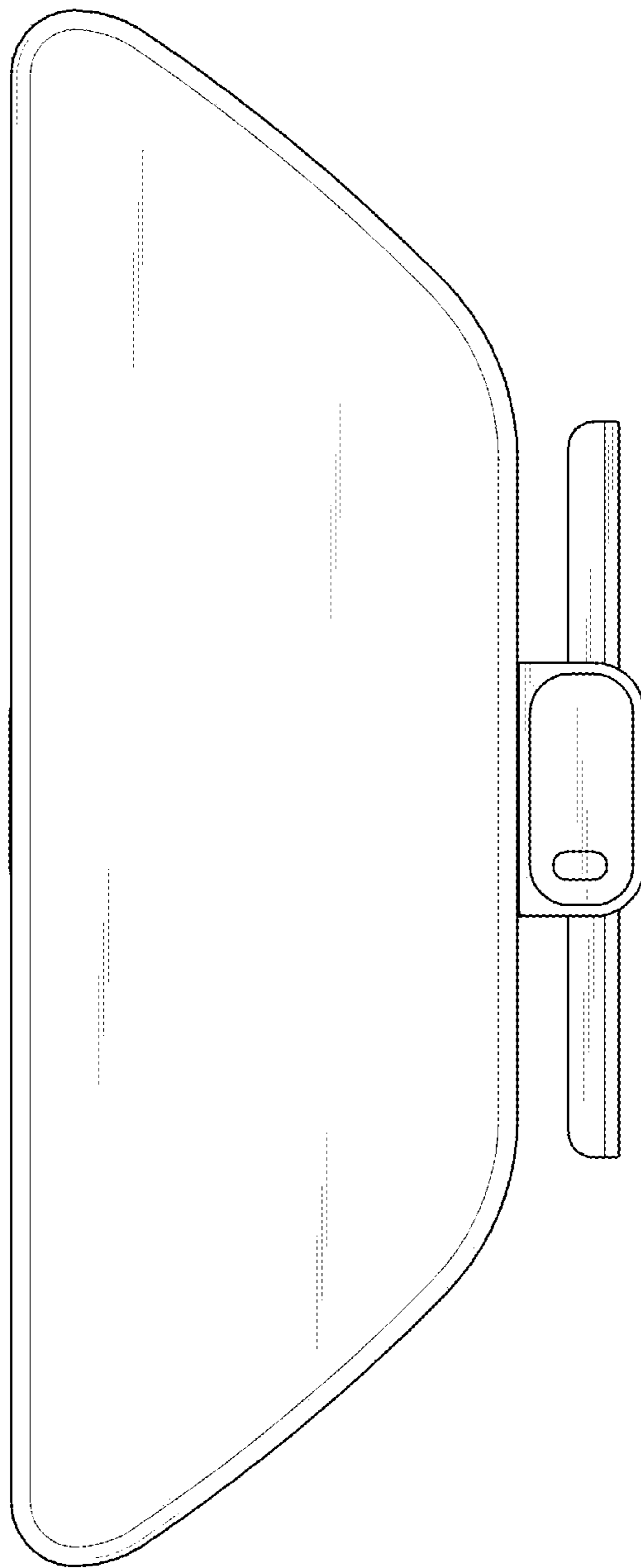


FIG. 22

