



US00D954375S

(12) **United States Design Patent**  
**Protet**

(10) **Patent No.:** **US D954,375 S**

(45) **Date of Patent:** **\*\* Jun. 7, 2022**

(54) **APPARATUS FOR STEAMING OR IRONING**

**DESCRIPTION**

- (71) Applicant: **CALOR**, Ecully (FR)
- (72) Inventor: **David Protet**, Auxerre (FR)
- (73) Assignee: **CALOR**, Ecully (FR)
- (\*\*) Term: **15 Years**
- (21) Appl. No.: **29/666,023**
- (22) Filed: **Oct. 9, 2018**

(30) **Foreign Application Priority Data**

- Apr. 10, 2018 (EM) ..... 005227980-0001
  - Apr. 10, 2018 (EM) ..... 005227980-0002
- (Continued)

- (51) **LOC (13) Cl.** ..... **07-05**
  - (52) **U.S. Cl.**  
USPC ..... **D32/66**
  - (58) **Field of Classification Search**  
USPC ..... D32/9, 17, 35, 58, 60, 66, 67; D21/526
- (Continued)

(56) **References Cited**

U.S. PATENT DOCUMENTS

- D326,487 S \* 5/1992 Monneret ..... D32/66
  - D543,672 S \* 5/2007 Chu ..... D32/66
  - D546,515 S \* 7/2007 Wicky ..... D32/66
  - D579,160 S \* 10/2008 Lebot ..... D32/9
- (Continued)

*Primary Examiner* — Richard E Chilcot  
(74) *Attorney, Agent, or Firm* — Loeb & Loeb LLP

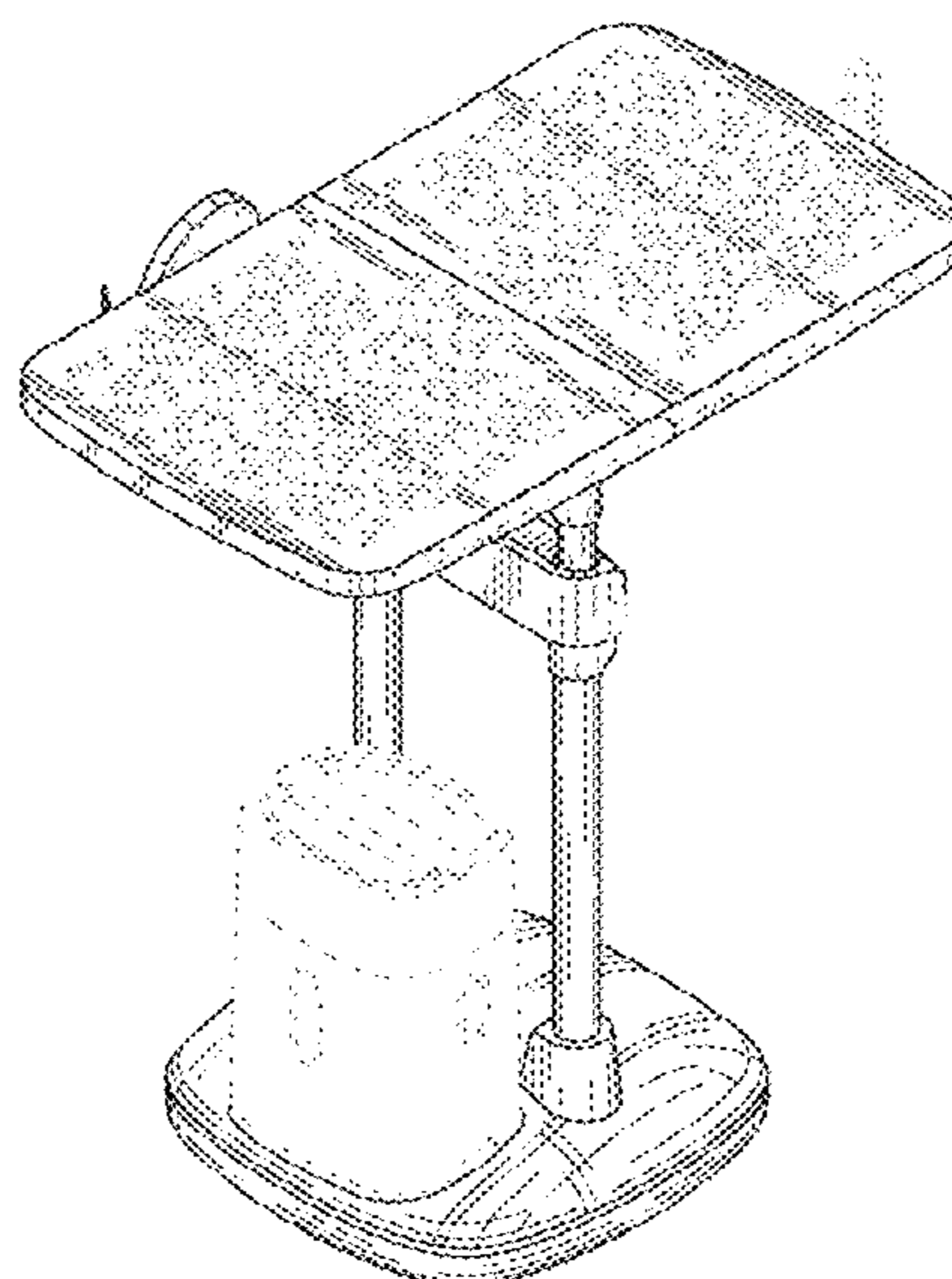
(57) **CLAIM**

The ornamental design for an apparatus for steaming or ironing, as shown and described.

FIG. 1 is a perspective view of an apparatus for steaming or ironing showing my new design in a first position; FIG. 2 is a front elevational view thereof; FIG. 3 is a rear elevational view thereof; FIG. 4 is a right side elevational view thereof; FIG. 5 is a left side elevational view thereof; FIG. 6 is a top view thereof; FIG. 7 is a bottom view thereof; FIG. 8 is a perspective view of an apparatus for steaming or ironing showing my new design in a second position; FIG. 9 is a front elevational view thereof; FIG. 10 is a rear elevational view thereof; FIG. 11 is a right side elevational view thereof; FIG. 12 is a left side elevational view thereof; FIG. 13 is a top view thereof; FIG. 14 is a bottom view thereof; FIG. 15 is a perspective view of an apparatus for steaming or ironing showing my new design in a third position; FIG. 16 is a front elevational view thereof; FIG. 17 is a rear elevational view thereof; FIG. 18 is a right side elevational view thereof; FIG. 19 is a left side elevational view thereof; FIG. 20 is a top view thereof; FIG. 21 is a bottom view thereof; FIG. 22 is a perspective view of an apparatus for steaming or ironing showing my new design in a fourth position; FIG. 23 is a front elevational view thereof; FIG. 24 is a rear elevational view thereof; FIG. 25 is a right side elevational view thereof; FIG. 26 is a left side elevational view thereof; FIG. 27 is a top view thereof; and, FIG. 28 is a bottom view thereof.

The broken lines shown in the figure drawings depict portions of the apparatus for steaming or ironing that form no part of the claimed design. Use of the terms first, second, third and fourth position indicate example positions that the apparatus for steaming or ironing may be in at any given time and is in no way intended to limit the design to the specific positions or series of positions shown.

**1 Claim, 28 Drawing Sheets**



(30) **Foreign Application Priority Data**

Apr. 10, 2018 (EM) ..... 005227980-0003  
 Apr. 10, 2018 (EM) ..... 005227980-0004

(52) **U.S. Cl.**

CPC ..... **D06F 73/00** (2013.01)

(58) **Field of Classification Search**

CPC ..... A47B 39/06; A47B 46/00; A47B 61/02;  
 A47B 63/04; A47B 77/10; A47B 77/16;  
 A47G 25/40; D06F 73/00; D06F 81/00;  
 D06F 81/003; D06F 81/006; D06F 81/02;  
 D06F 81/04; D06F 81/06; D06F 81/08;  
 D06F 81/12; D06F 83/00; Y10S 38/00;  
 Y10S 38/01; Y10S 38/02; Y10S 38/03;  
 Y10T 292/305

See application file for complete search history.

(56) **References Cited**

U.S. PATENT DOCUMENTS

D592,365	S	*	5/2009	Massip	.....	D32/17
D700,414	S	*	2/2014	Spatz	.....	D32/71
D719,308	S	*	12/2014	Israel	.....	D32/17
D737,012	S	*	8/2015	Cahen	.....	D32/73
D772,515	S	*	11/2016	Orthey	.....	D32/73
D866,101	S	*	11/2019	Meyer	.....	D32/17
D882,200	S	*	4/2020	Cahen	.....	D32/73
D895,219	S	*	9/2020	Protet	.....	D32/17
D901,769	S	*	11/2020	Grienay	.....	D28/35
D911,605	S	*	2/2021	Grienay	.....	D28/35
D922,016	S	*	6/2021	Israel	.....	D32/35
D937,522	S	*	11/2021	Bae	.....	D32/66
D937,523	S	*	11/2021	Bae	.....	D32/66
D939,170	S	*	12/2021	Park	.....	D32/66
D940,423	S	*	1/2022	Bae	.....	D32/66
D940,972	S	*	1/2022	Pei	.....	D32/22

\* cited by examiner

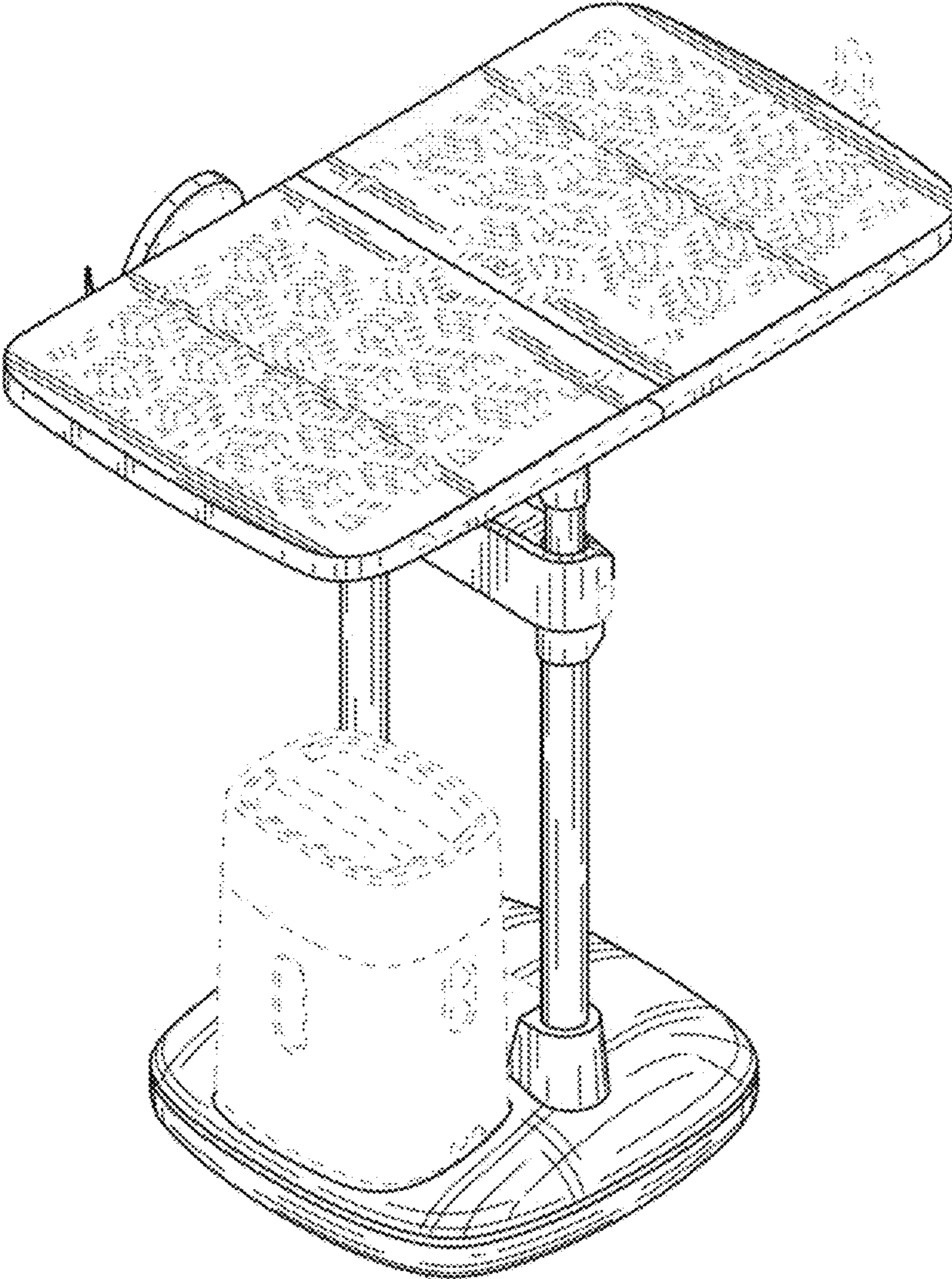


FIG. 1



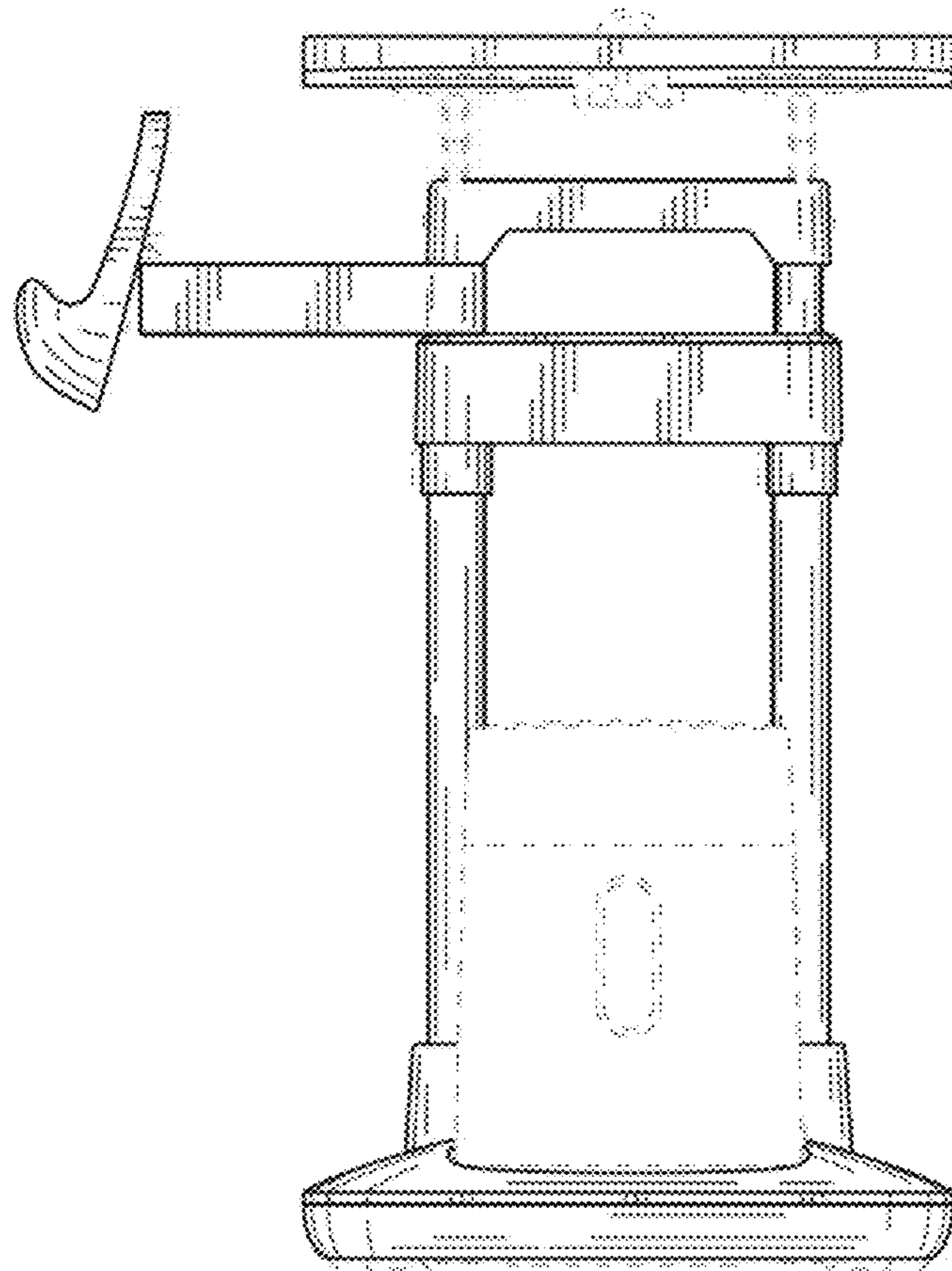


FIG. 2

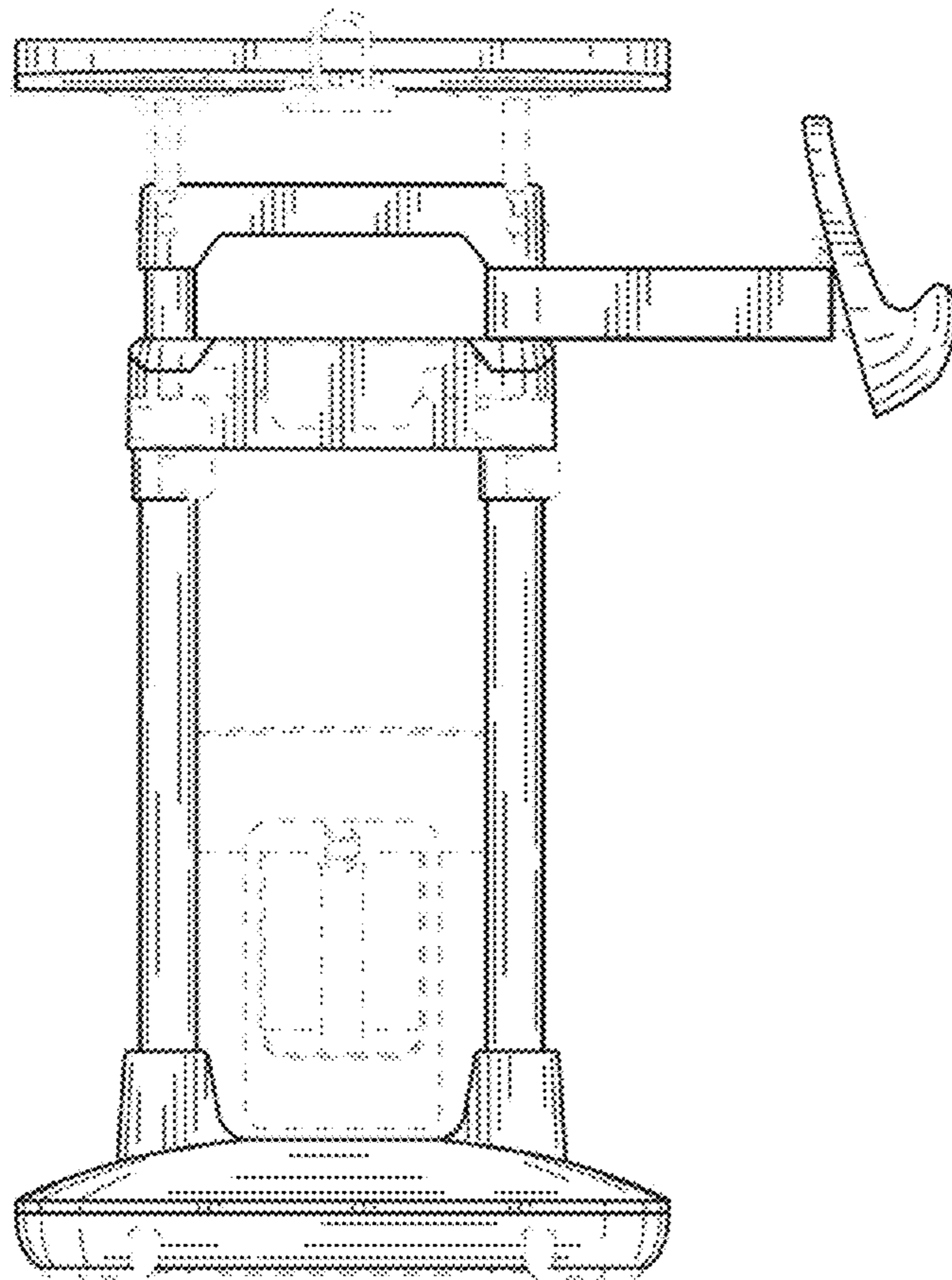


FIG. 3

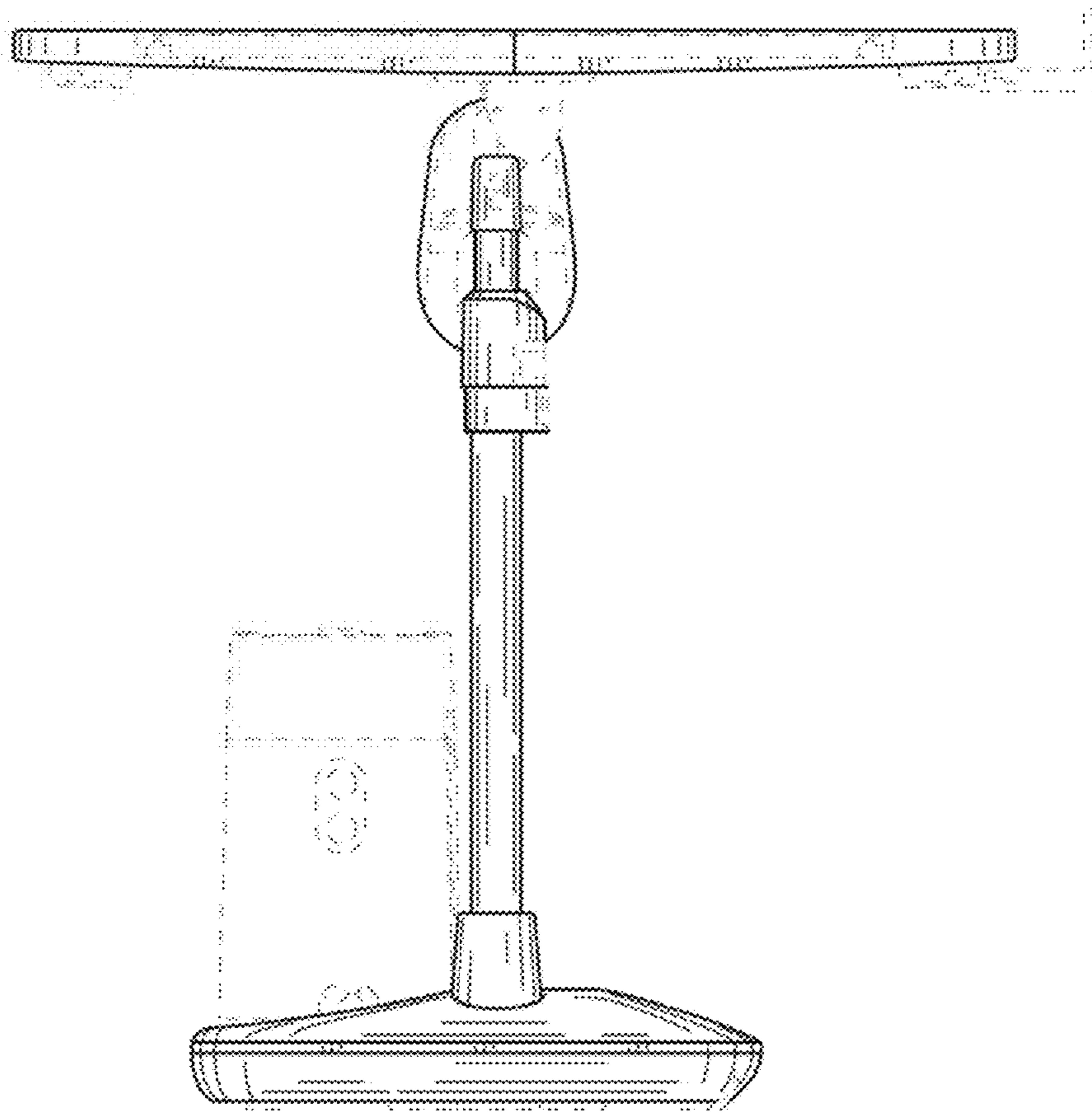


FIG. 4

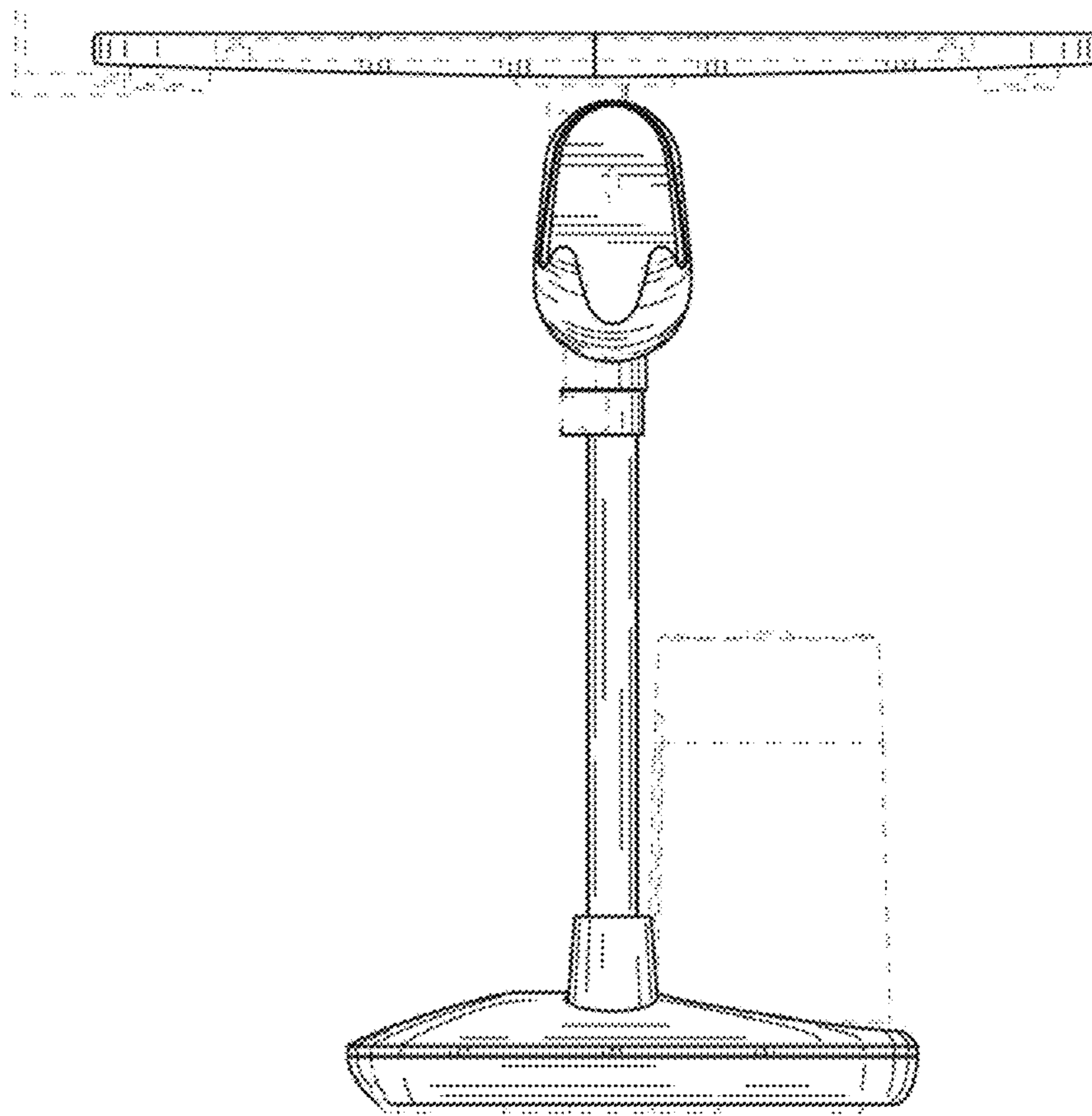


FIG. 5

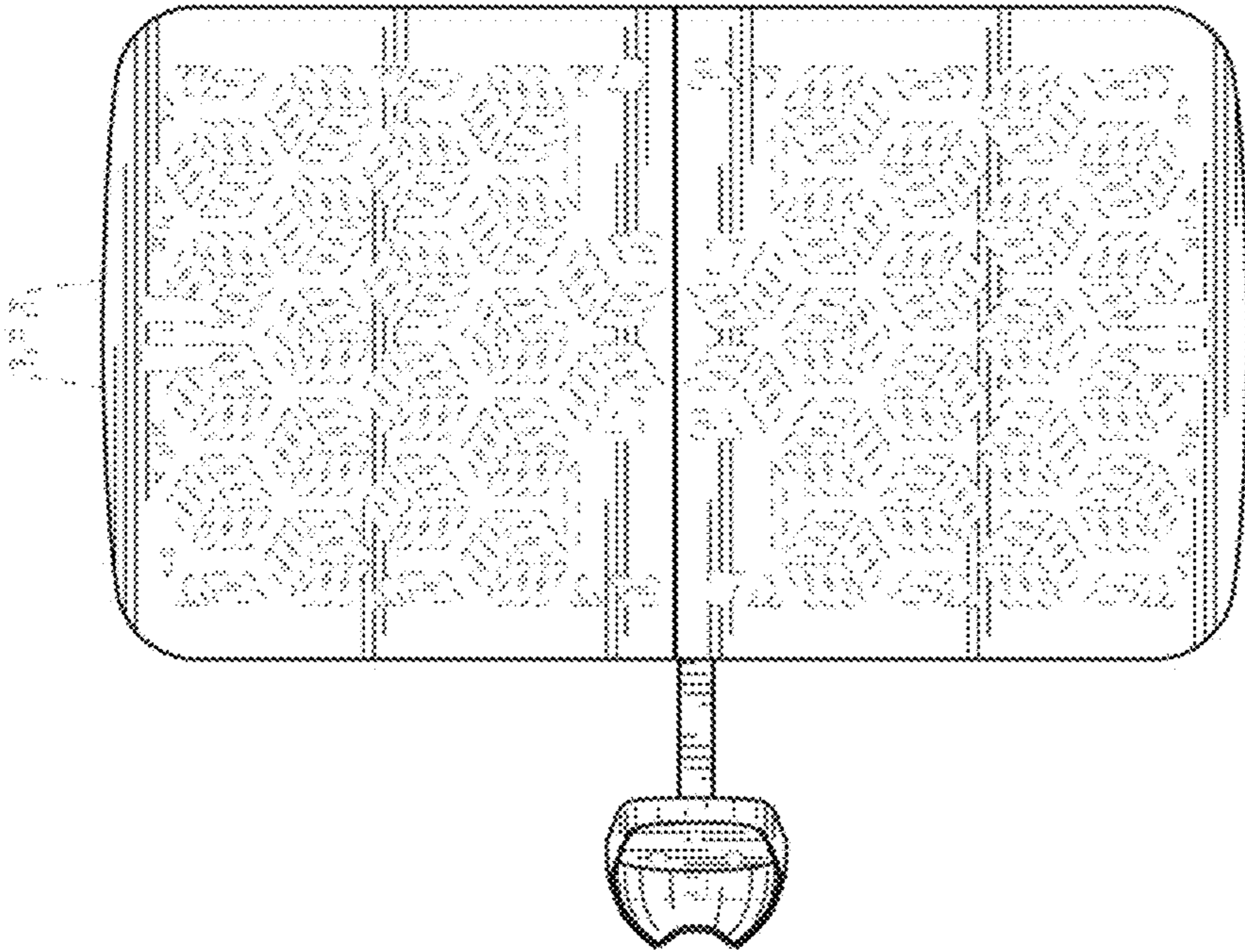


FIG. 6



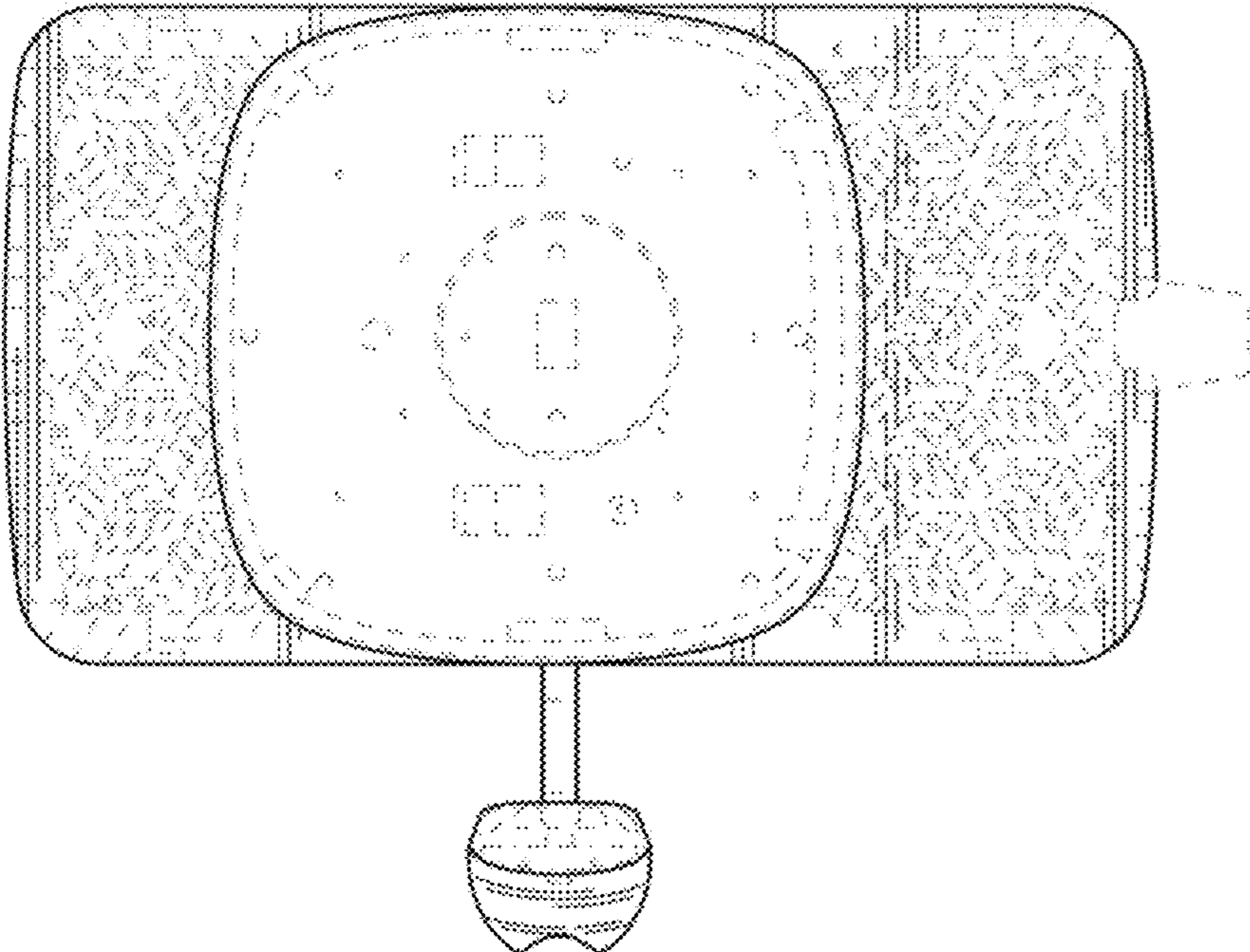


FIG. 7

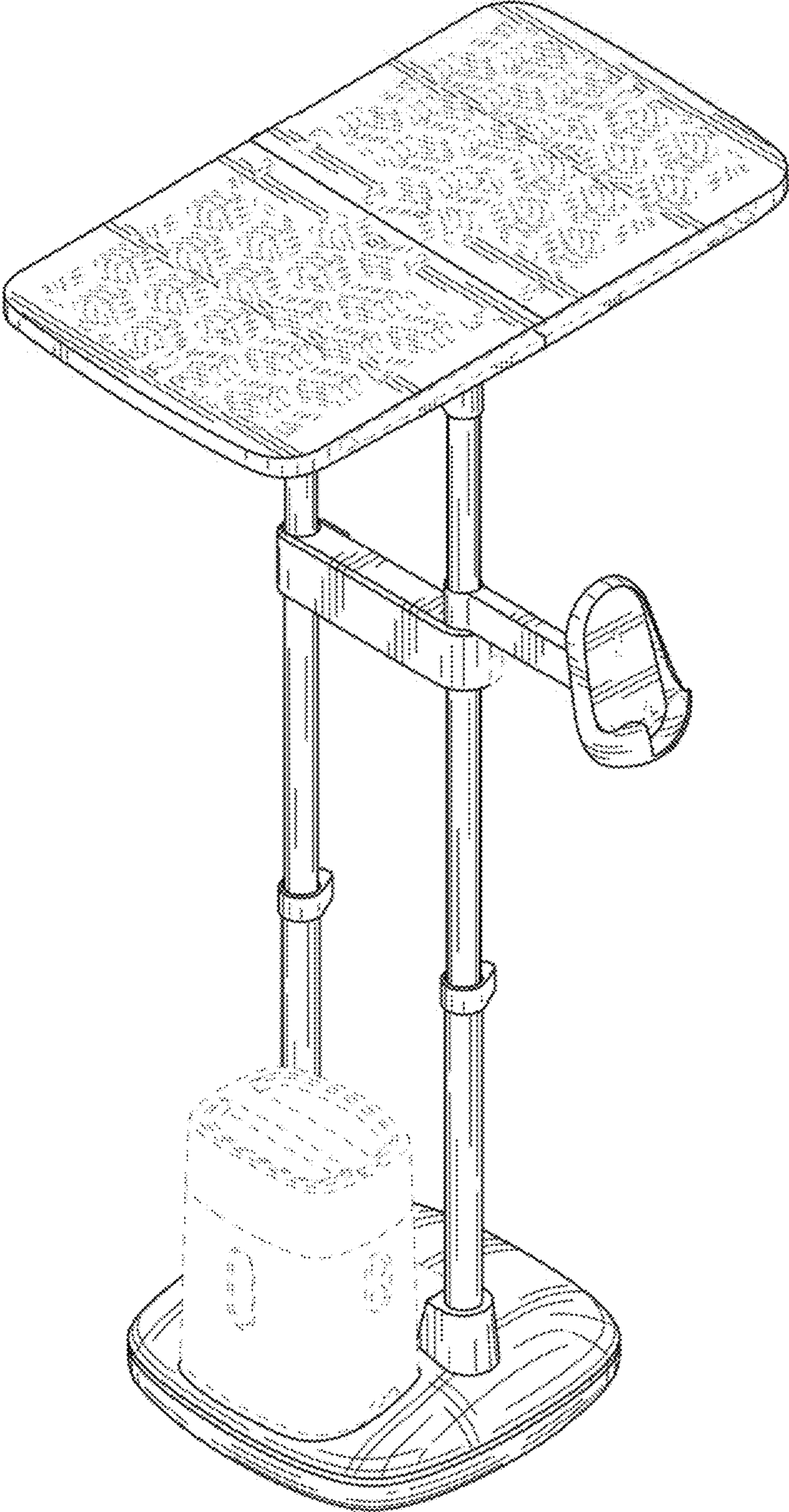


FIG. 8

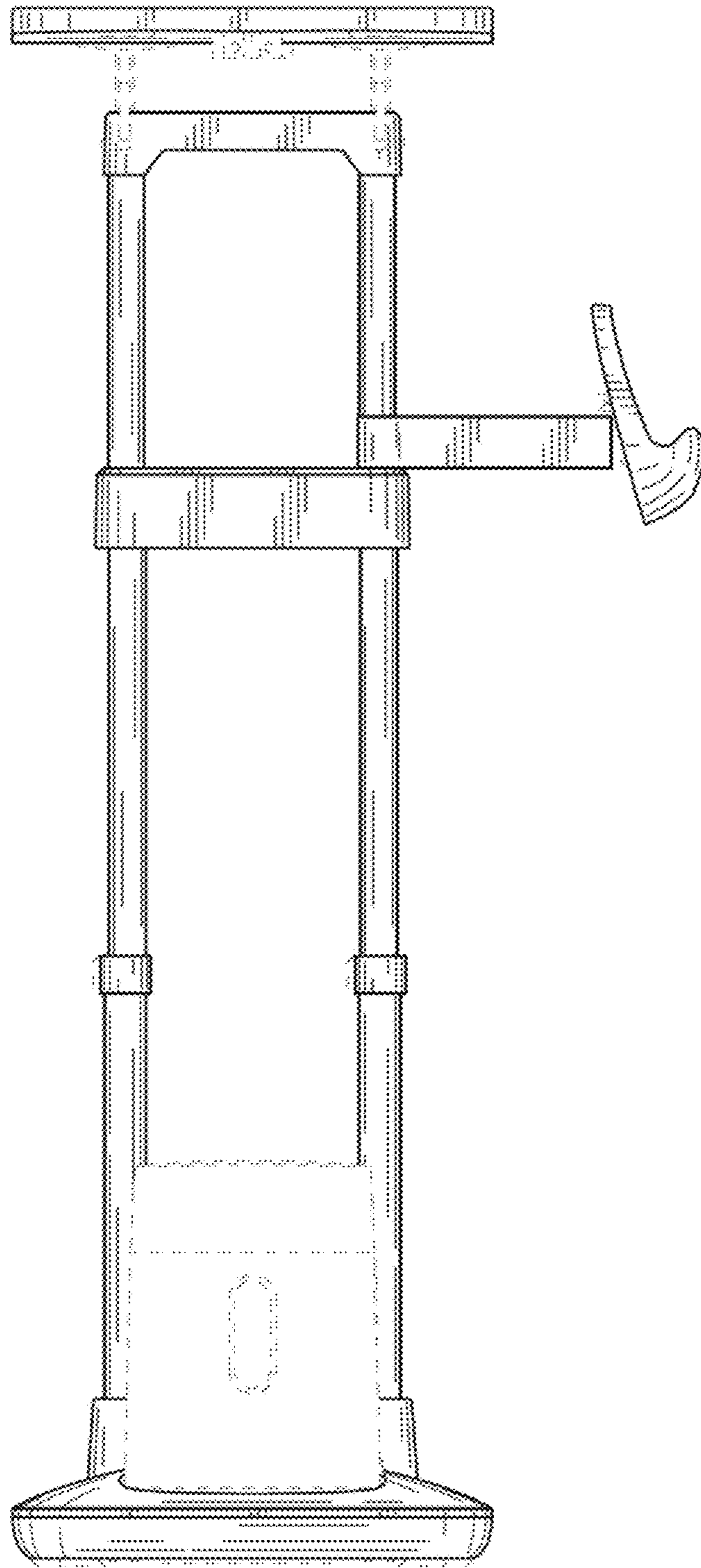


FIG. 9

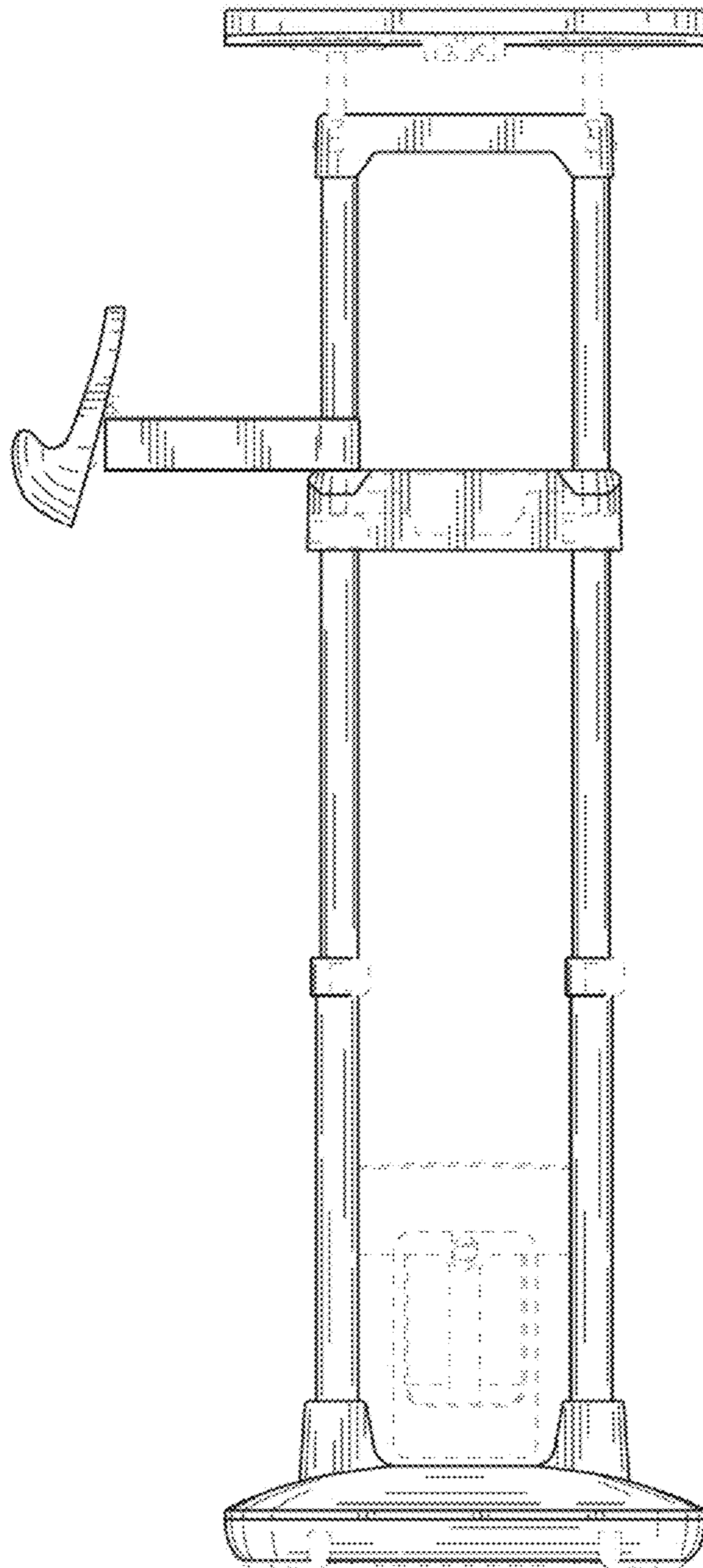


FIG. 10



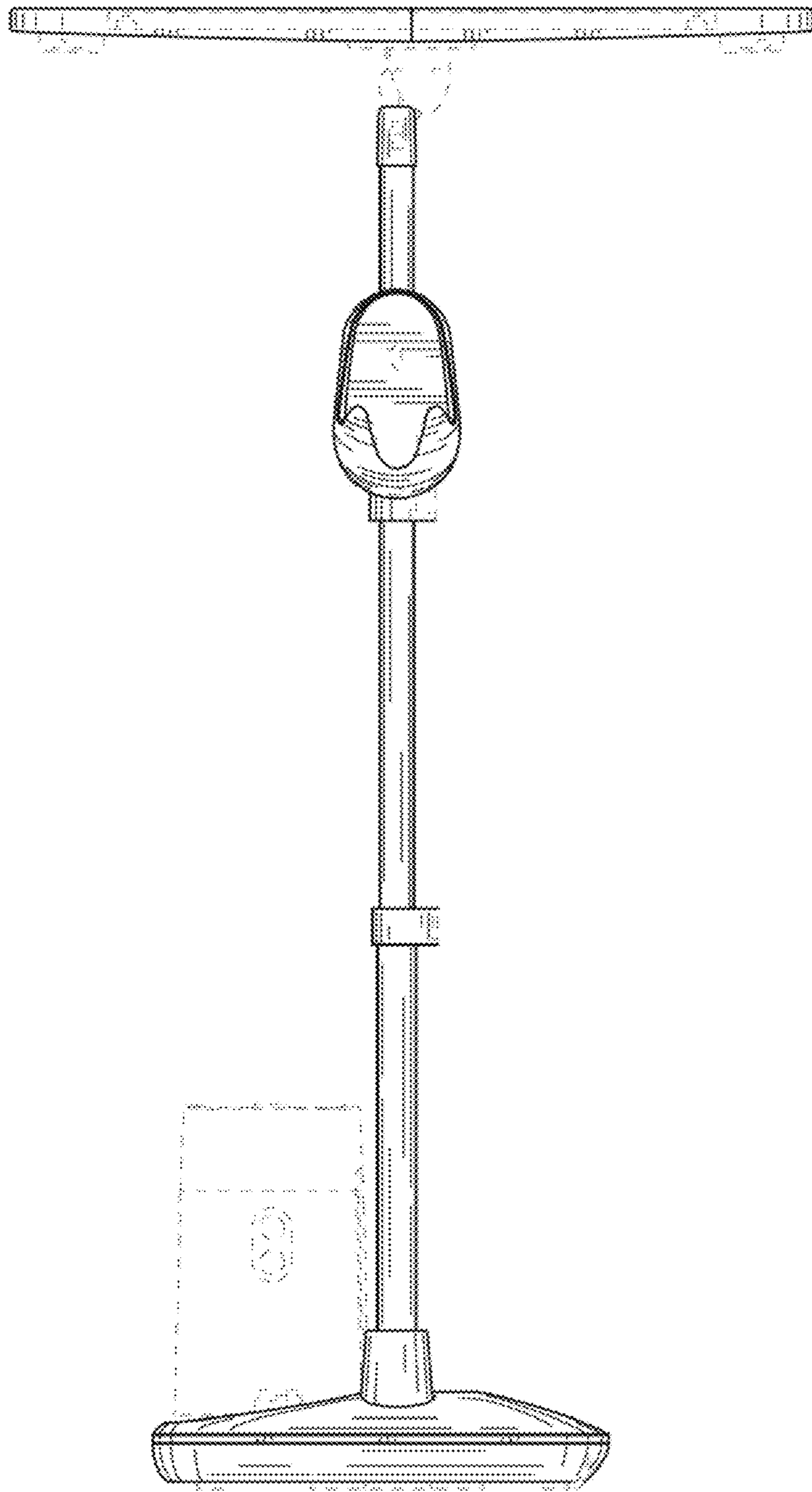


FIG. 11

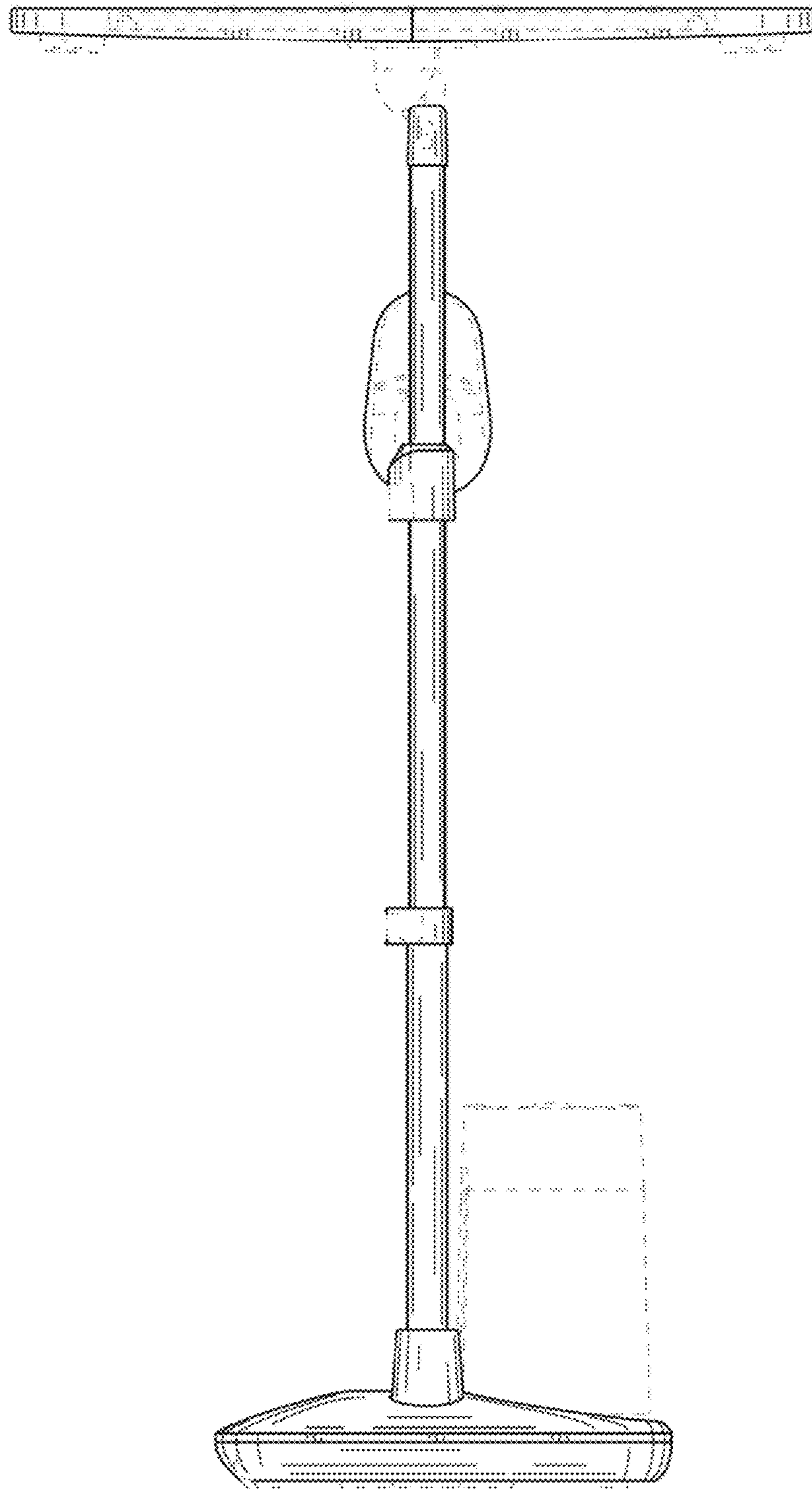


FIG. 12

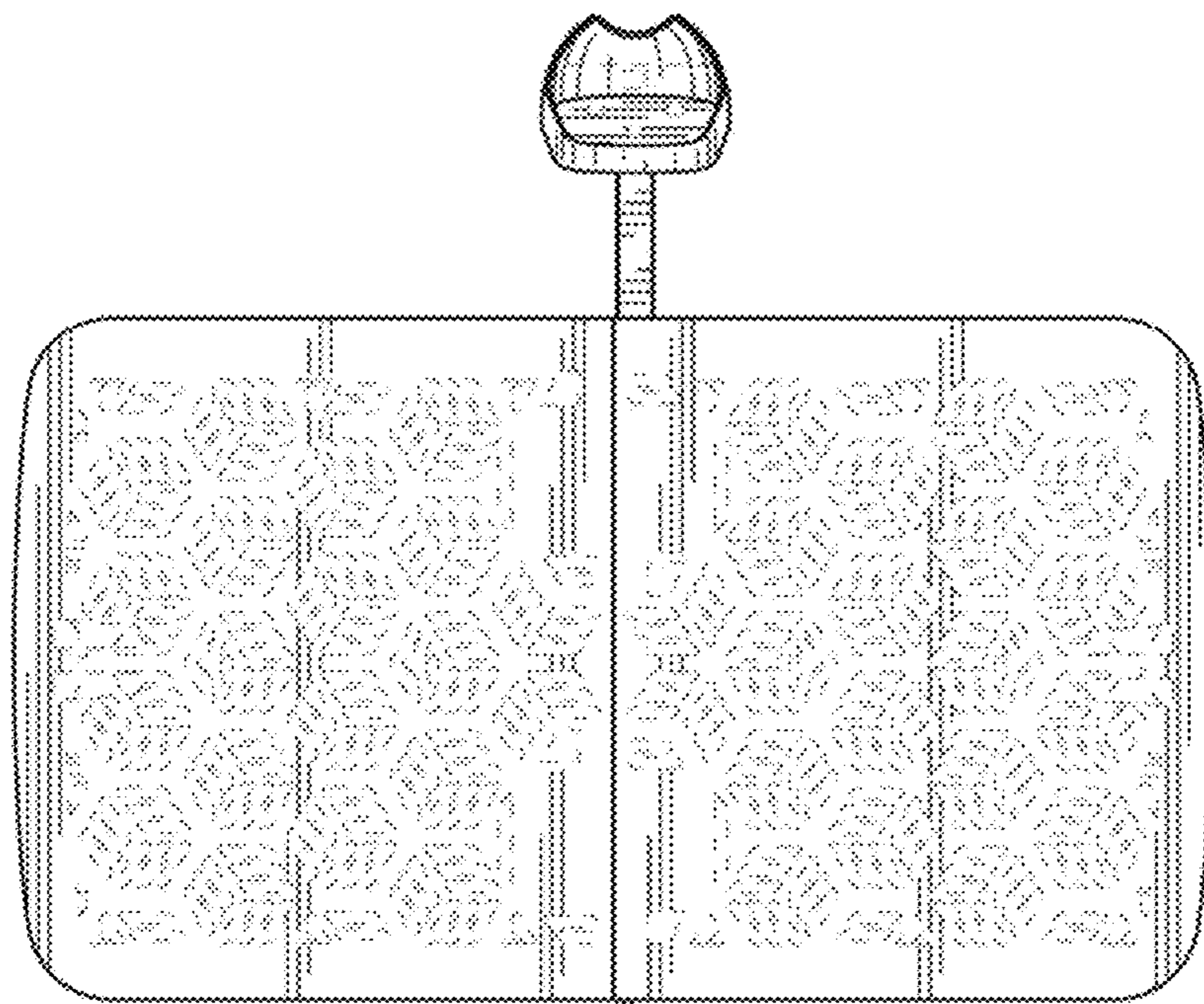


FIG. 13

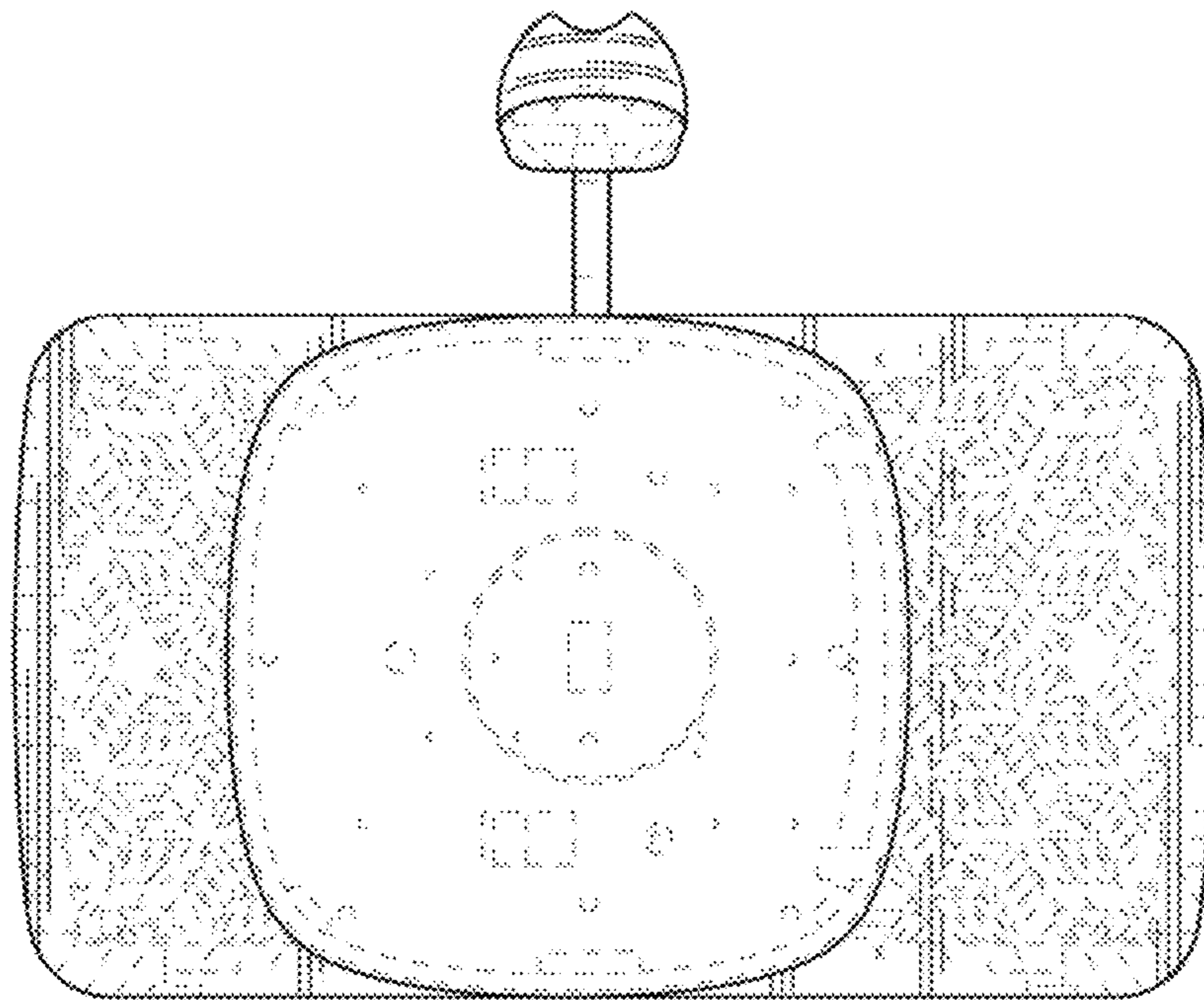


FIG. 14



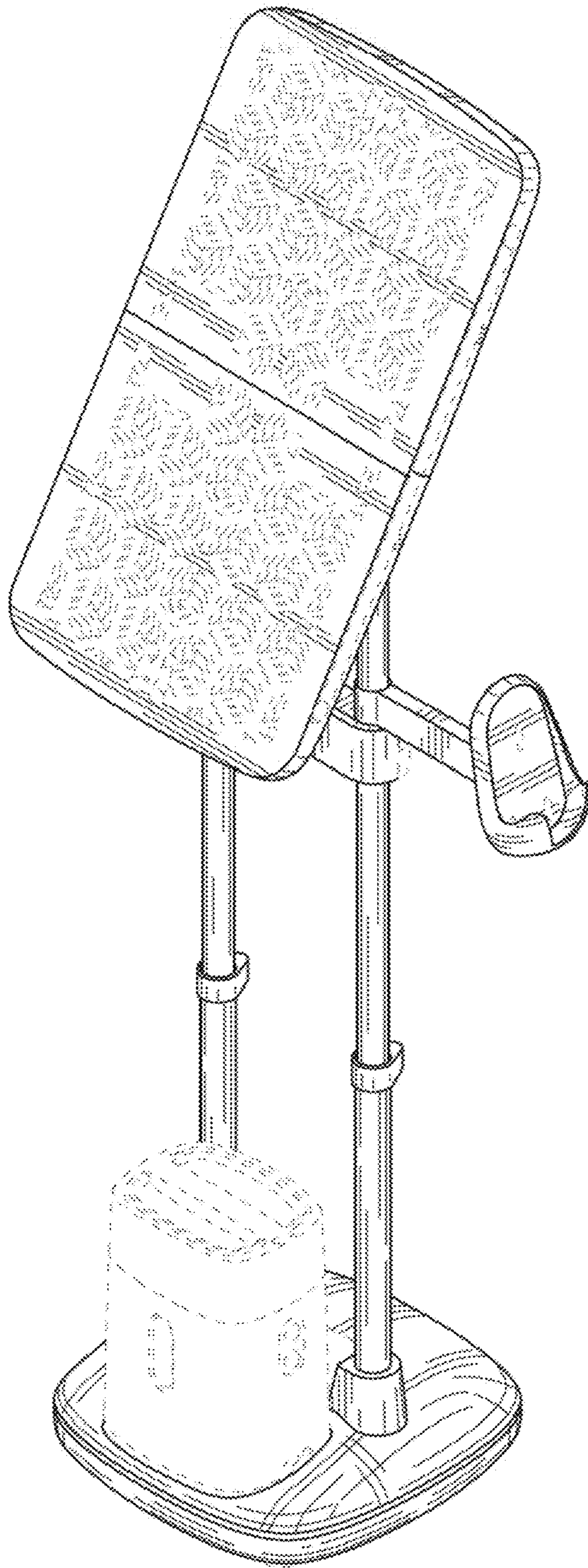


FIG. 15

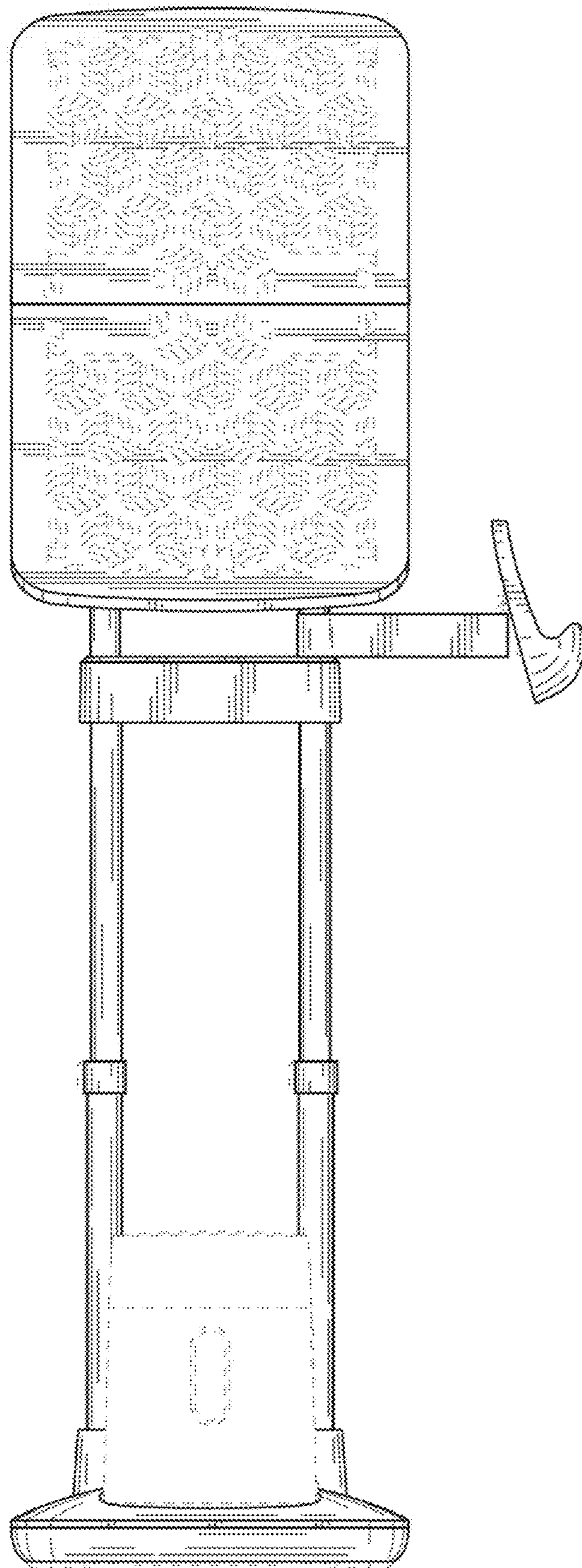


FIG. 16

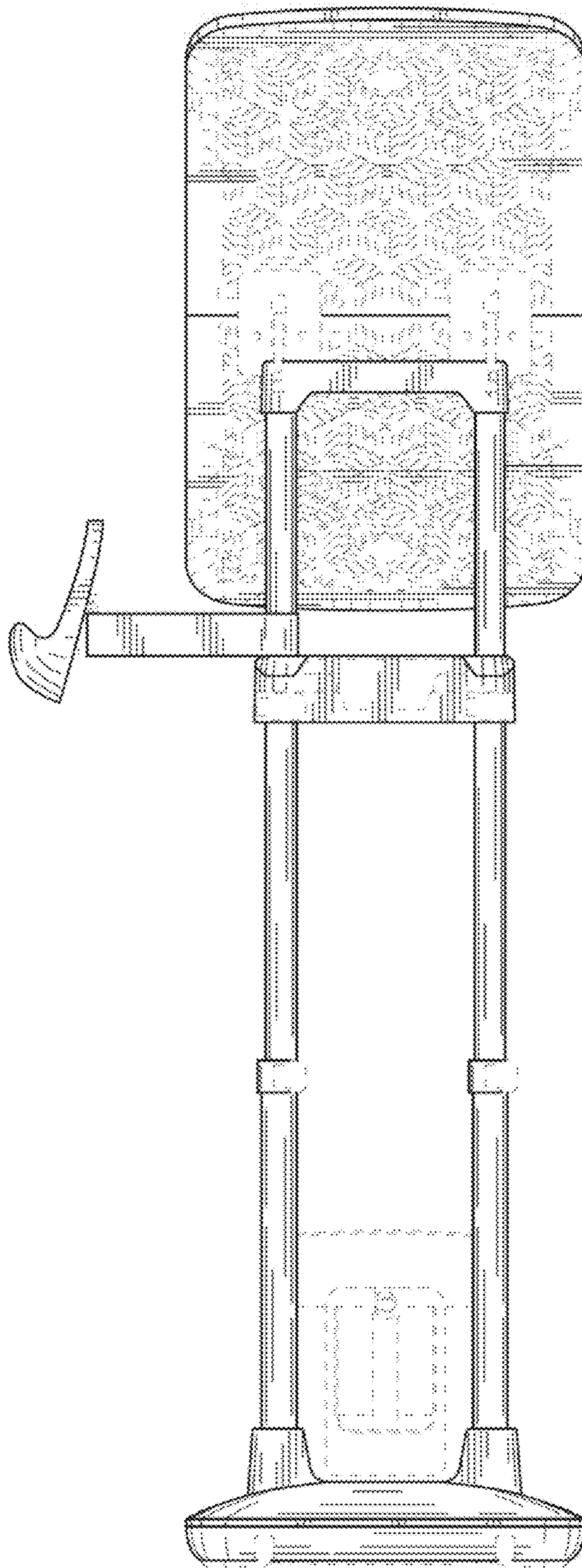


FIG. 17



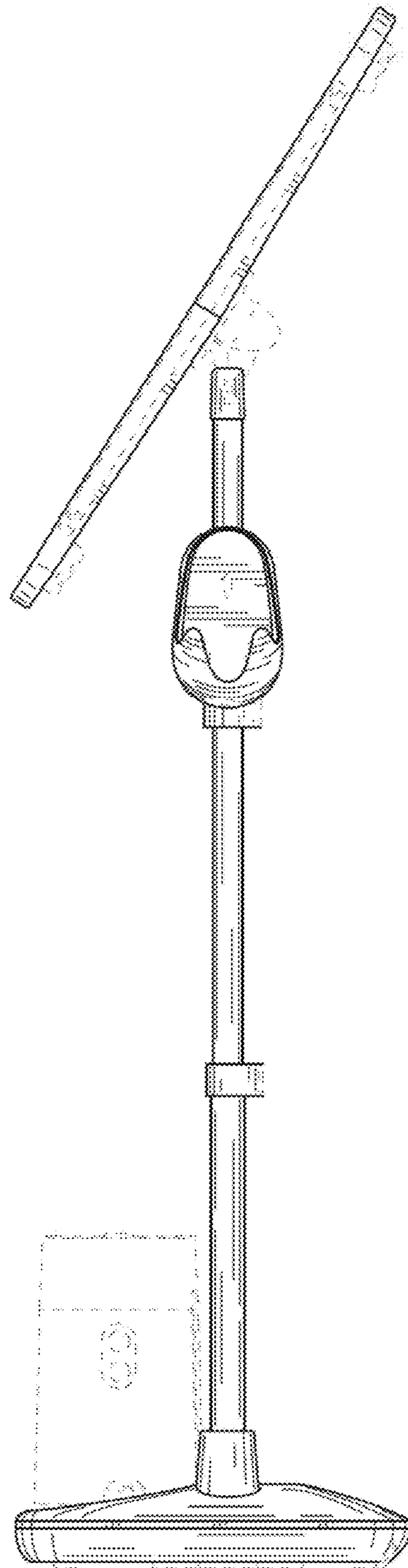


FIG. 18



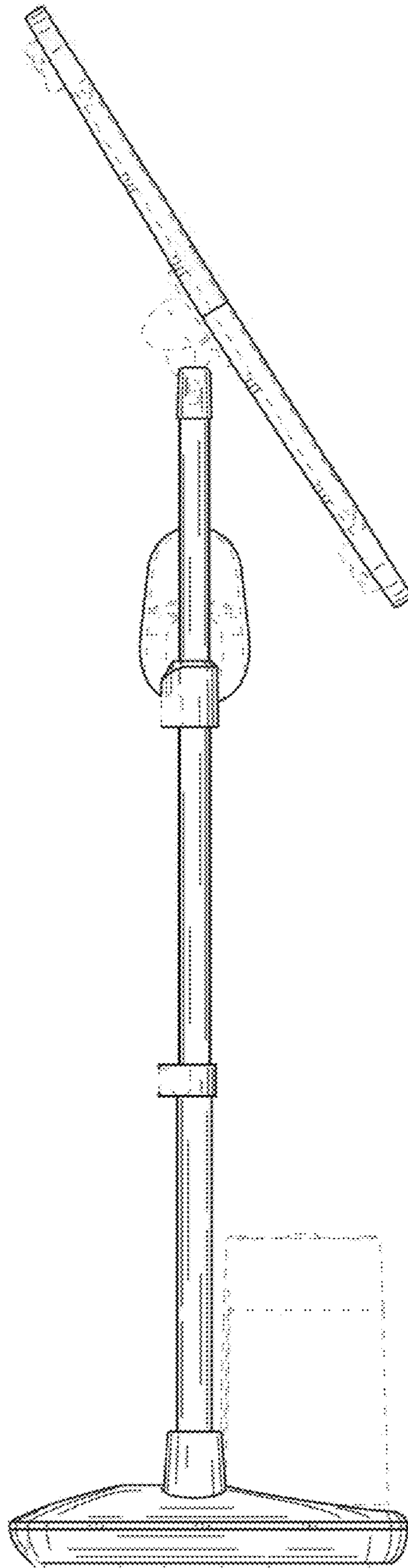


FIG. 19

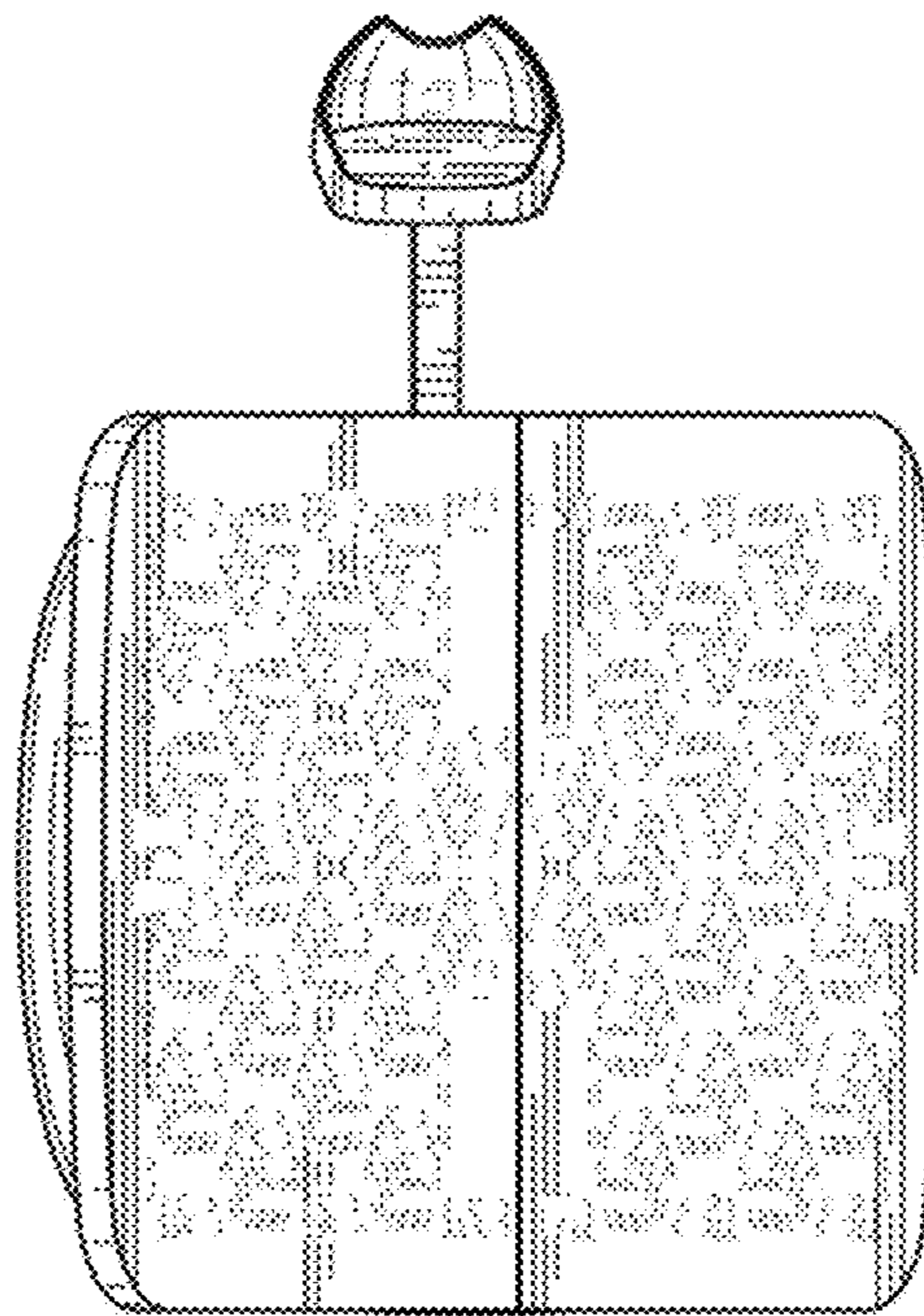


FIG. 20

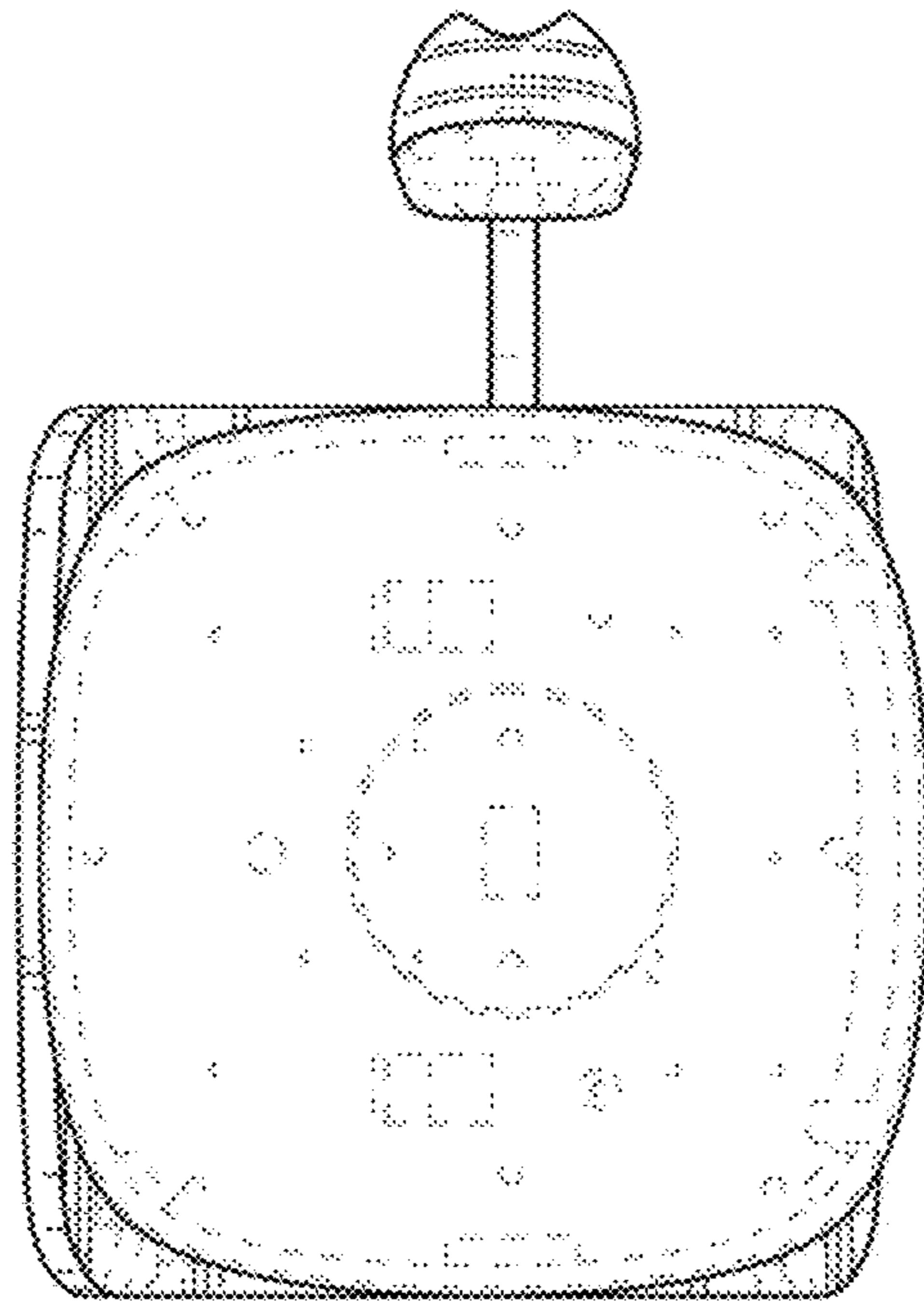


FIG. 21

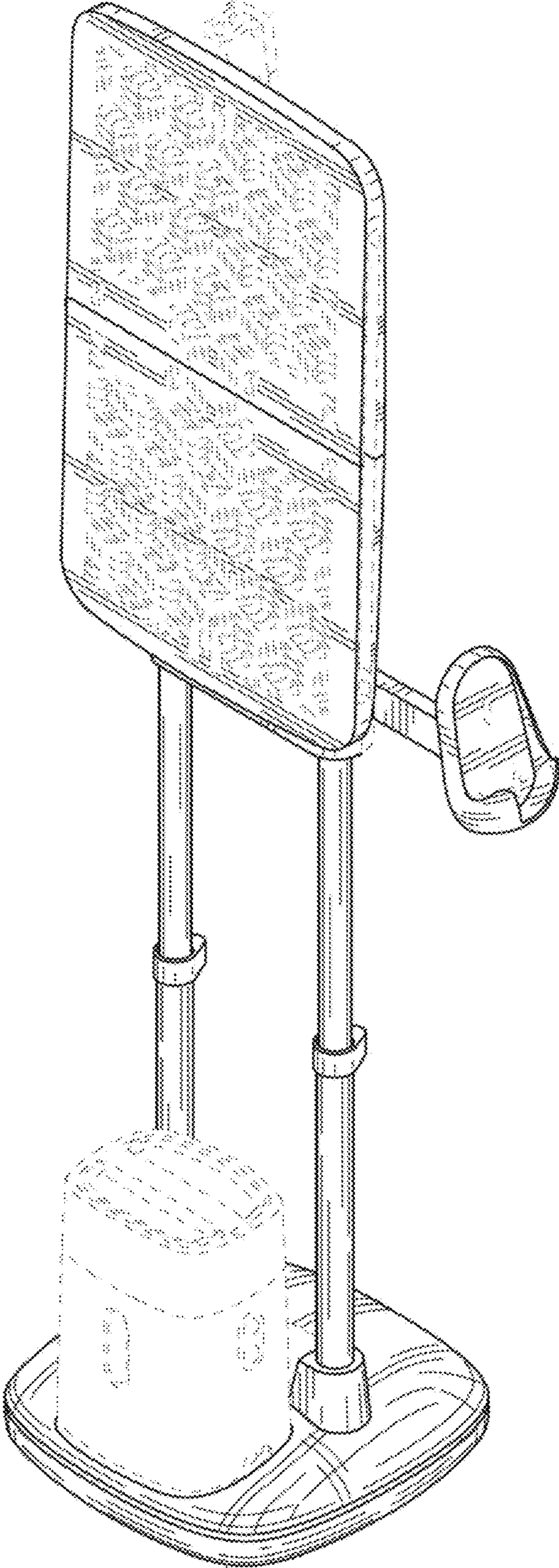


FIG. 22



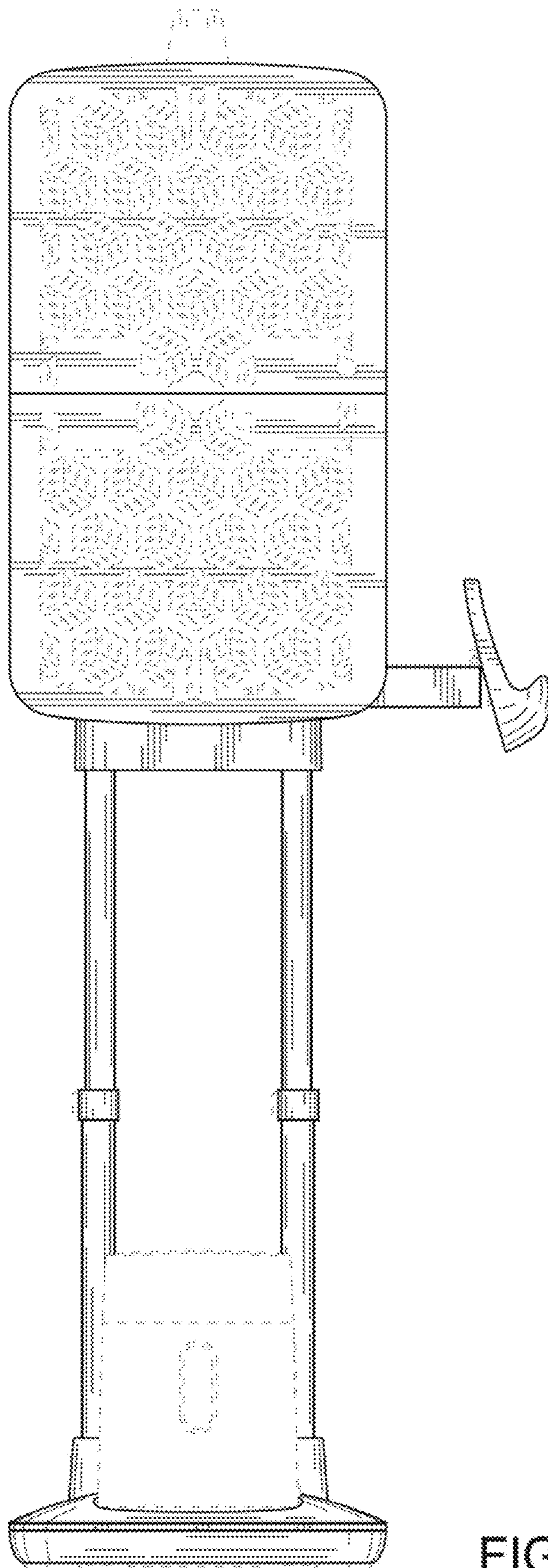


FIG. 23

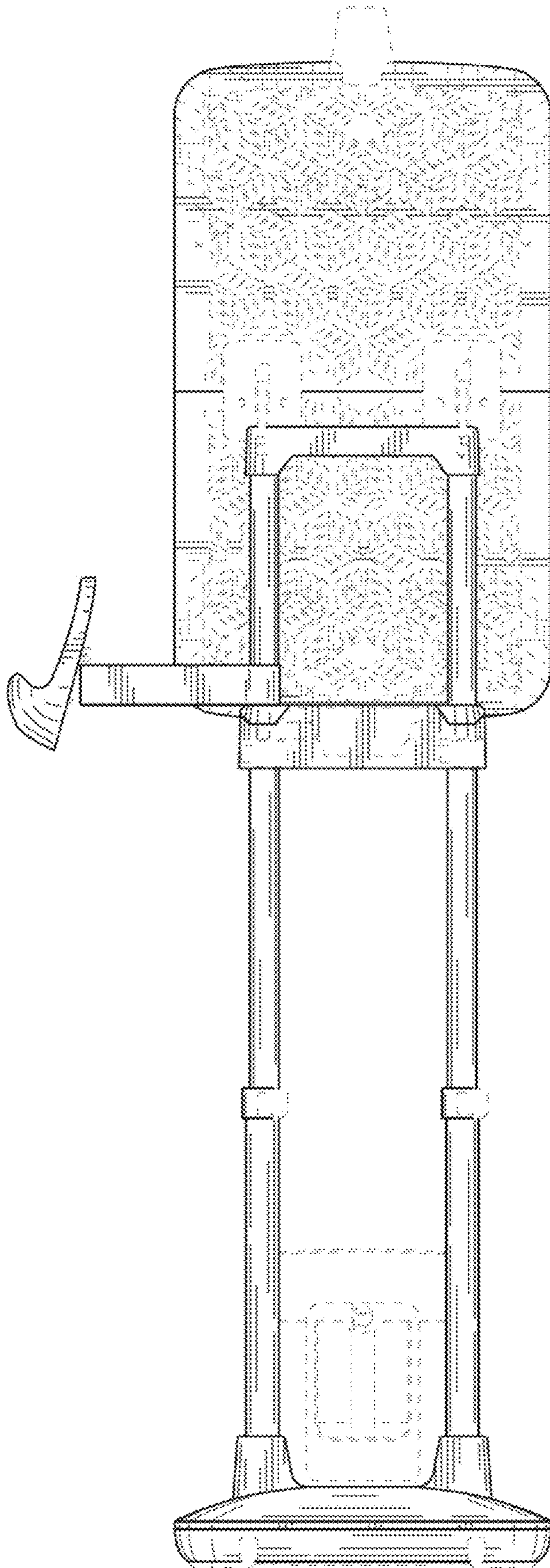


FIG. 24

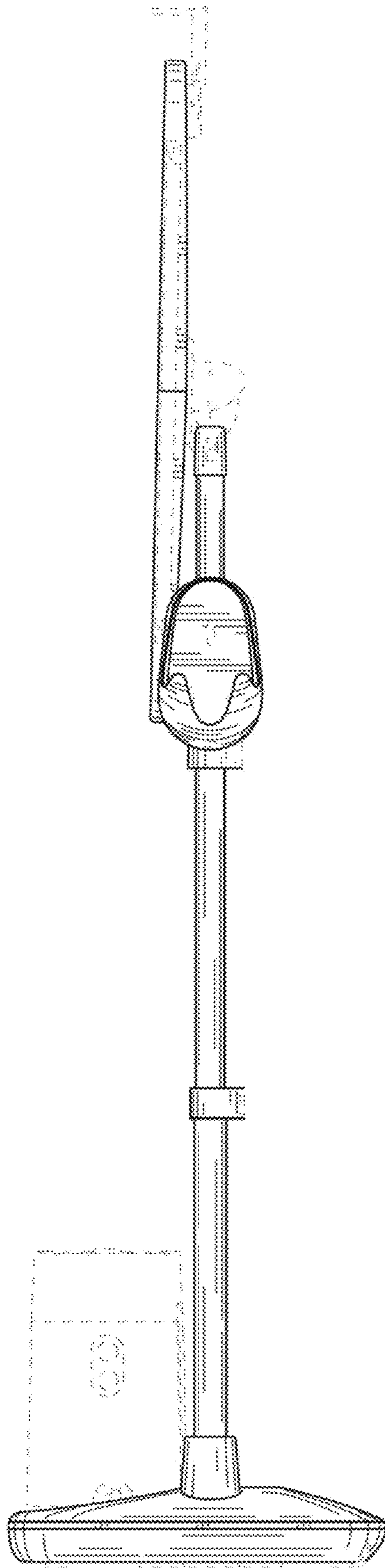


FIG. 25

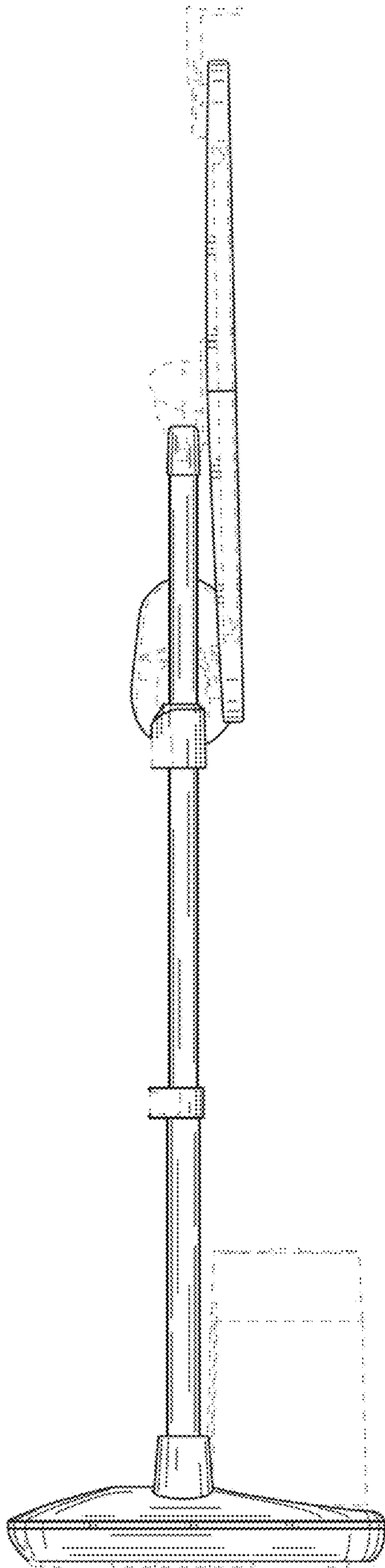


FIG. 26



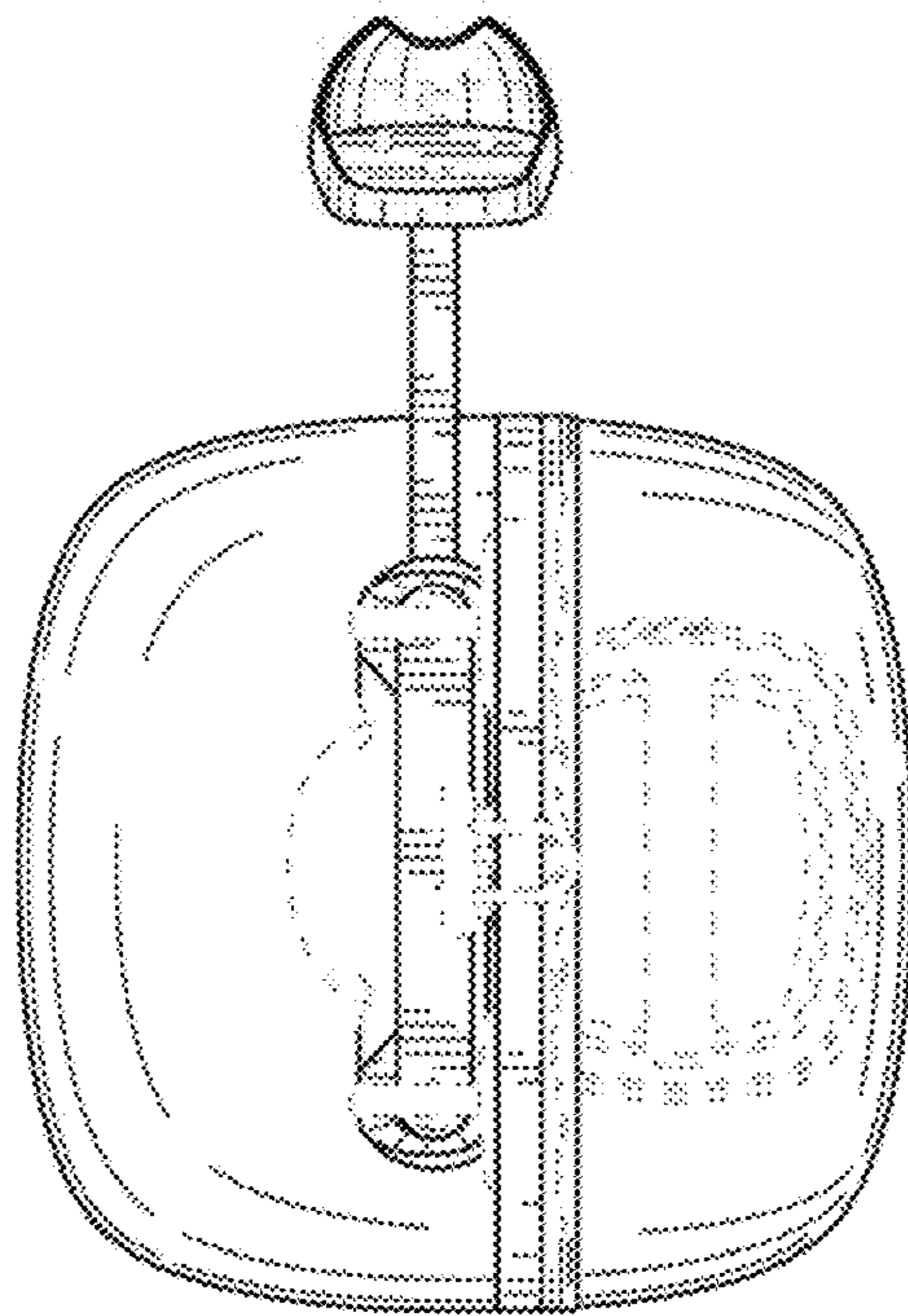


FIG. 27

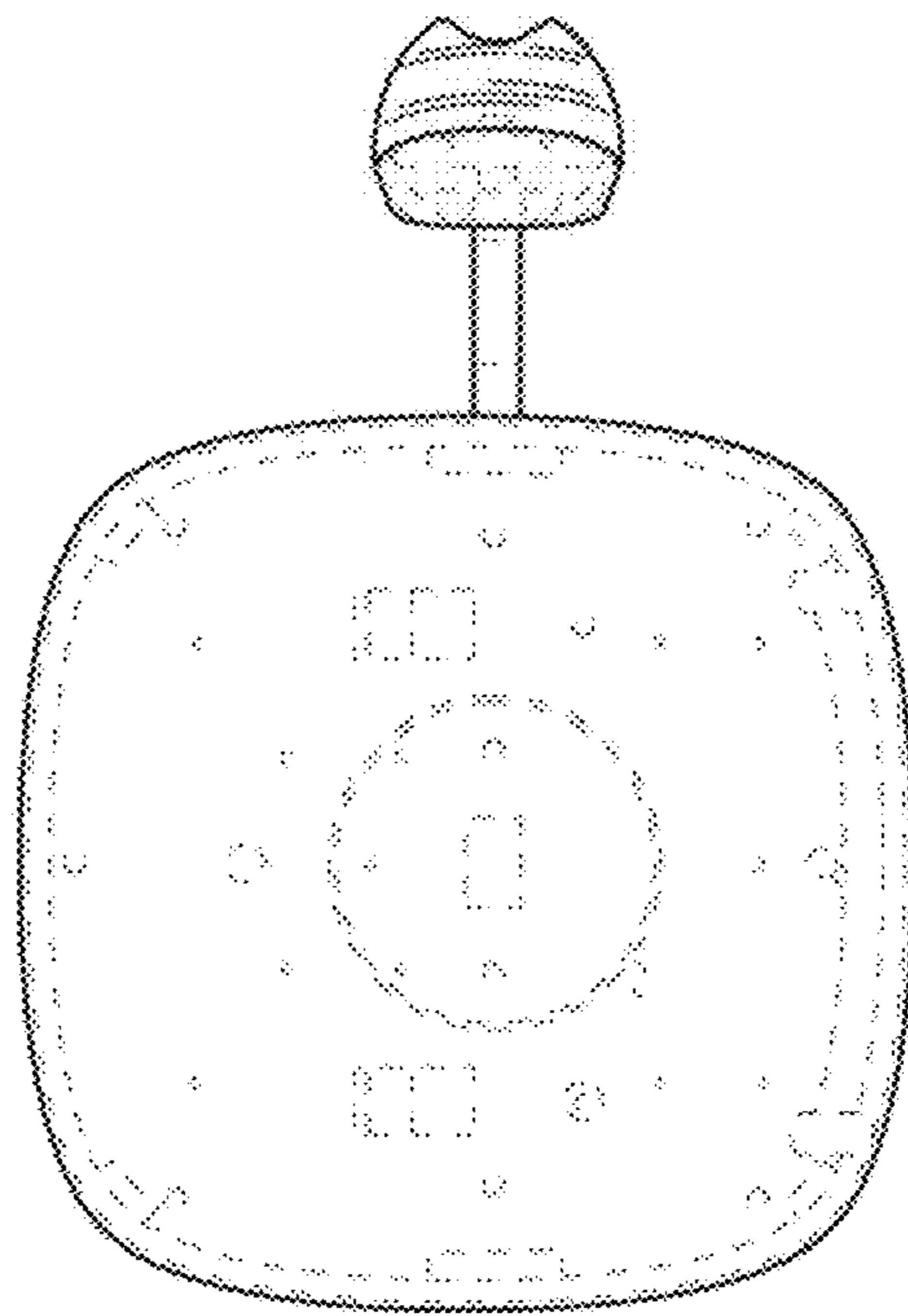


FIG. 28