

US00D954374S

(12) **United States Design Patent** (10) **Patent No.:** **US D954,374 S**
Humphreys (45) **Date of Patent:** **** Jun. 7, 2022**

(54) **GRILL TOOL**
(71) Applicant: **Z Grills Australia Pty Ltd**, Heathmont (AU)
(72) Inventor: **Michael Edward Humphreys**, Heathmont (AU)
(73) Assignee: **Z Grills Australia Pty Ltd**, Heathmont (AU)

(**) Term: **15 Years**
(21) Appl. No.: **29/737,296**

(22) Filed: **Jun. 8, 2020**
(51) **LOC (13) Cl.** **07-05**
(52) **U.S. Cl.**
USPC **D32/46**
(58) **Field of Classification Search**
USPC D32/40-42, 46-49
CPC .. A47L 1/16; A47L 13/46; A47L 13/06; A47J 43/288
See application file for complete search history.

(56) **References Cited**

U.S. PATENT DOCUMENTS

3,765,275 A * 10/1973 Johnson A47J 43/28 D32/42
D304,892 S * 12/1989 Bevilacqua D7/669
D323,046 S * 1/1992 Farmer D32/46
D324,747 S * 3/1992 Rood D7/669
5,373,600 A * 12/1994 Stojanovski A47L 13/34 15/236.05
D364,720 S * 11/1995 Francis D32/49
D365,897 S * 1/1996 Pereira D32/46
D377,251 S * 1/1997 Mitchell D32/49
D460,589 S * 7/2002 Weinberger A47L 1/16 D32/46
6,443,646 B1 * 9/2002 MacDonald A46B 11/00 401/39
D498,891 S * 11/2004 Sickler D32/49
6,966,094 B1 * 11/2005 Rigakos A47L 13/34 15/236.08

D547,551 S * 7/2007 Sickler D4/118
D580,612 S * 11/2008 Matousek D32/49
D841,918 S * 2/2019 Tschopp D32/46
D850,045 S * 5/2019 Borovicka D32/46
D861,272 S * 9/2019 Wong D32/46
D874,774 S * 2/2020 Thompson D32/46
D945,729 S * 3/2022 Mobley D4/137
D945,730 S * 3/2022 Mobley D4/137

(Continued)

FOREIGN PATENT DOCUMENTS

DK MR200100837-0001 * 9/2001

OTHER PUBLICATIONS

Z grills scraper, Wayfair website review 2021, site visited Mar. 21, 2022, <https://www.wayfair.com/outdoor/pdp/z-grills-wood-grill-scraper-and-grid-lifter-zgrs1029.html>.*

Primary Examiner — John R Yeh
(74) *Attorney, Agent, or Firm* — Marshall, Gerstein & Borun LLP

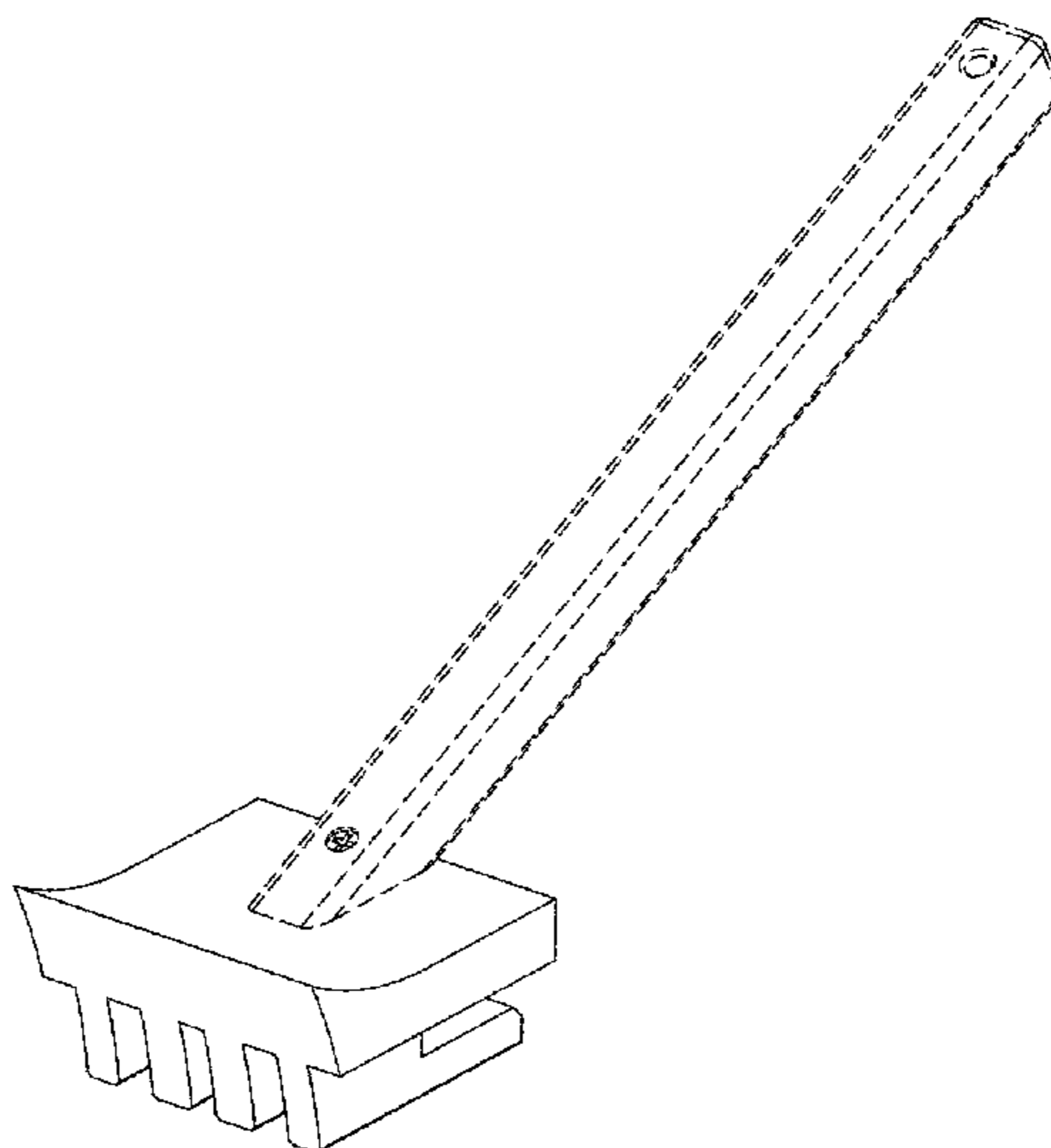
(57) **CLAIM**

The ornamental design for a grill tool, as shown and described.

DESCRIPTION

FIG. 1 is a front perspective view of a grill tool showing my new design;
FIG. 2 is a rear perspective view thereof;
FIG. 3 is a top plan view thereof;
FIG. 4 is a bottom plan view thereof;
FIG. 5 is a right side elevation view thereof;
FIG. 6 is a left side elevation view thereof;
FIG. 7 is a front elevation view thereof; and,
FIG. 8 is a rear elevation view thereof.
The broken lines depict portions of the grill tool that form no part of the claimed design.

1 Claim, 8 Drawing Sheets



(56)

References Cited

U.S. PATENT DOCUMENTS

2005/0011029 A1* 1/2005 Yu A47L 13/12
15/236.08
2006/0207042 A1* 9/2006 Di Paolo A47L 13/34
15/160

* cited by examiner

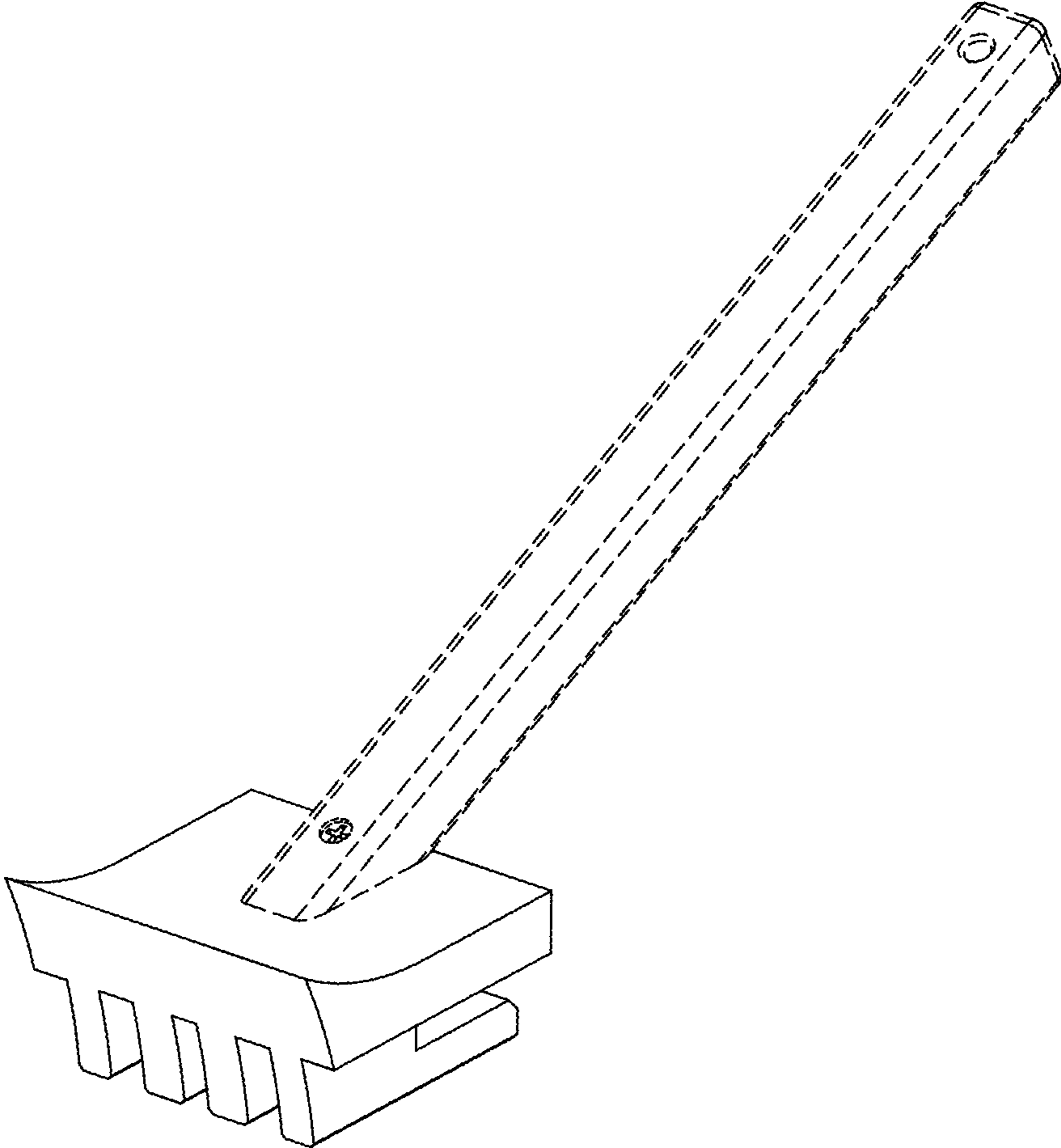


FIG. 1

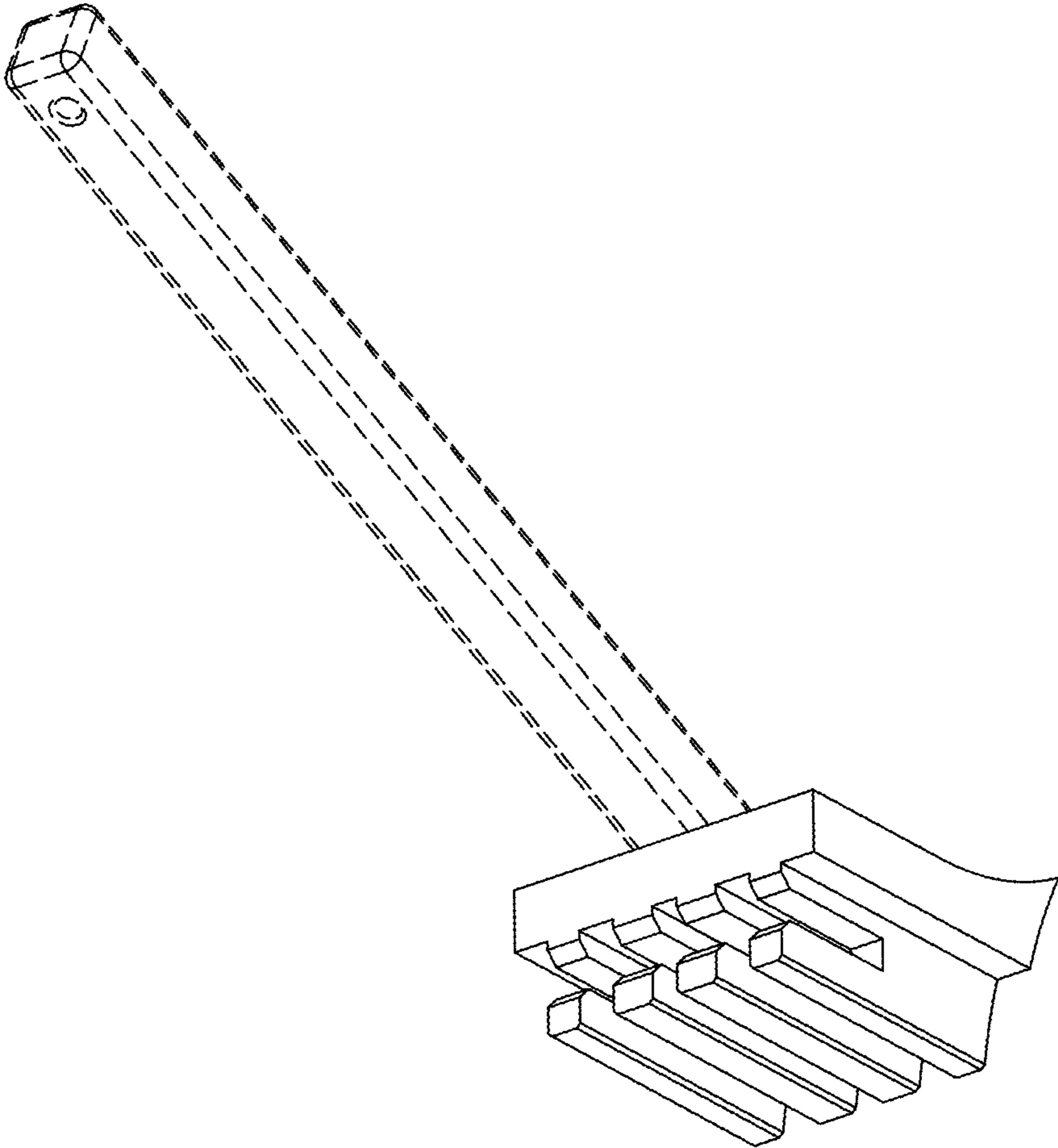


FIG. 2

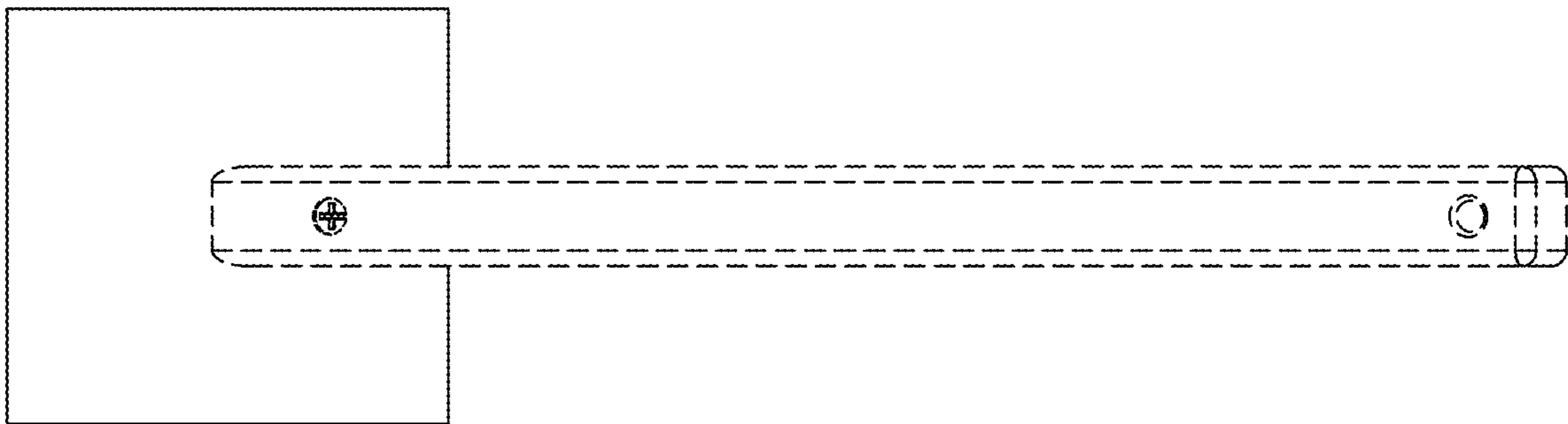


FIG. 3

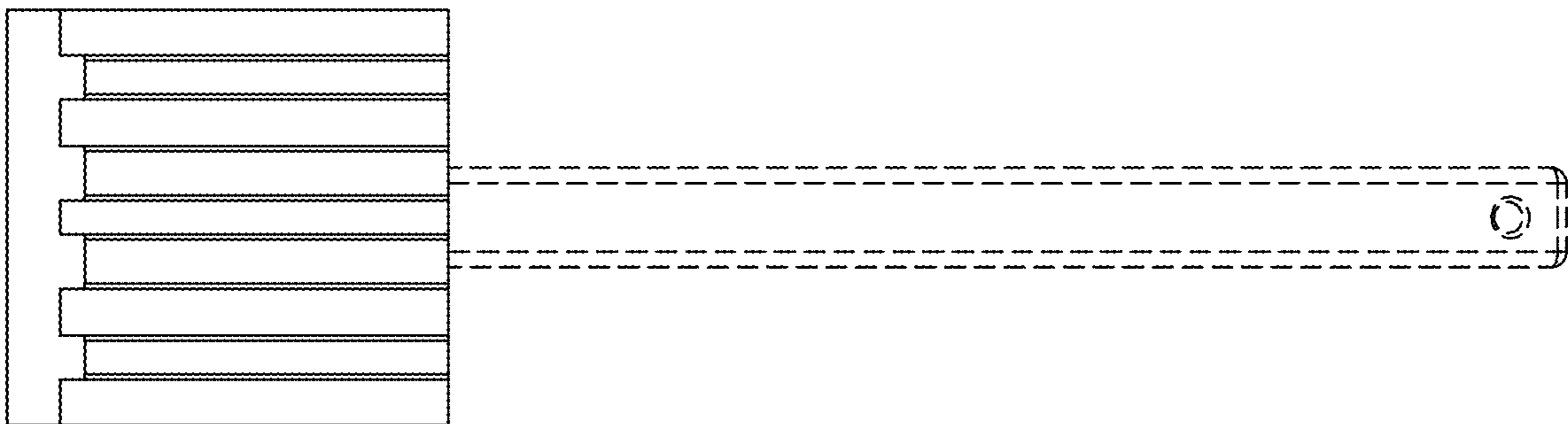


FIG. 4

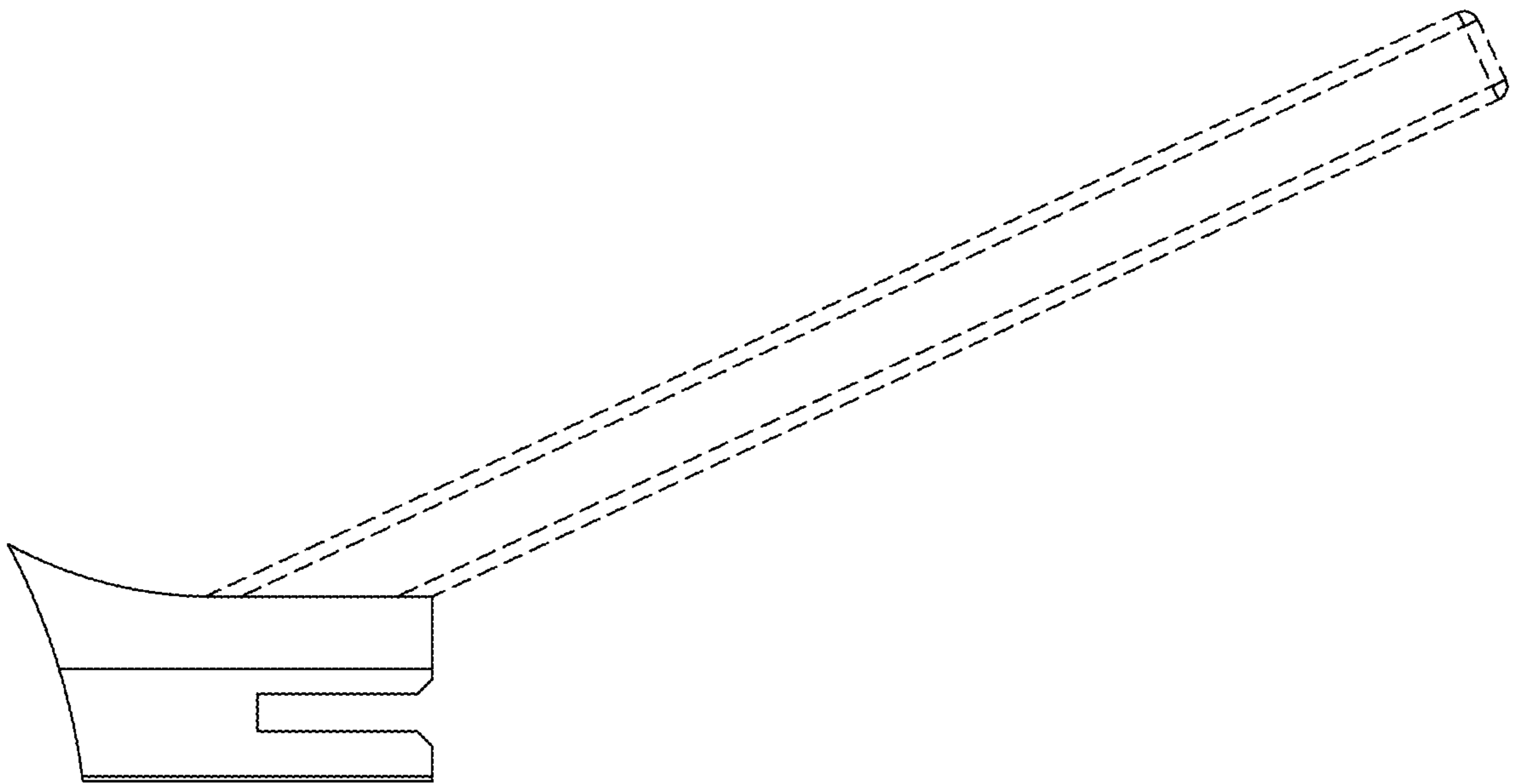


FIG. 5

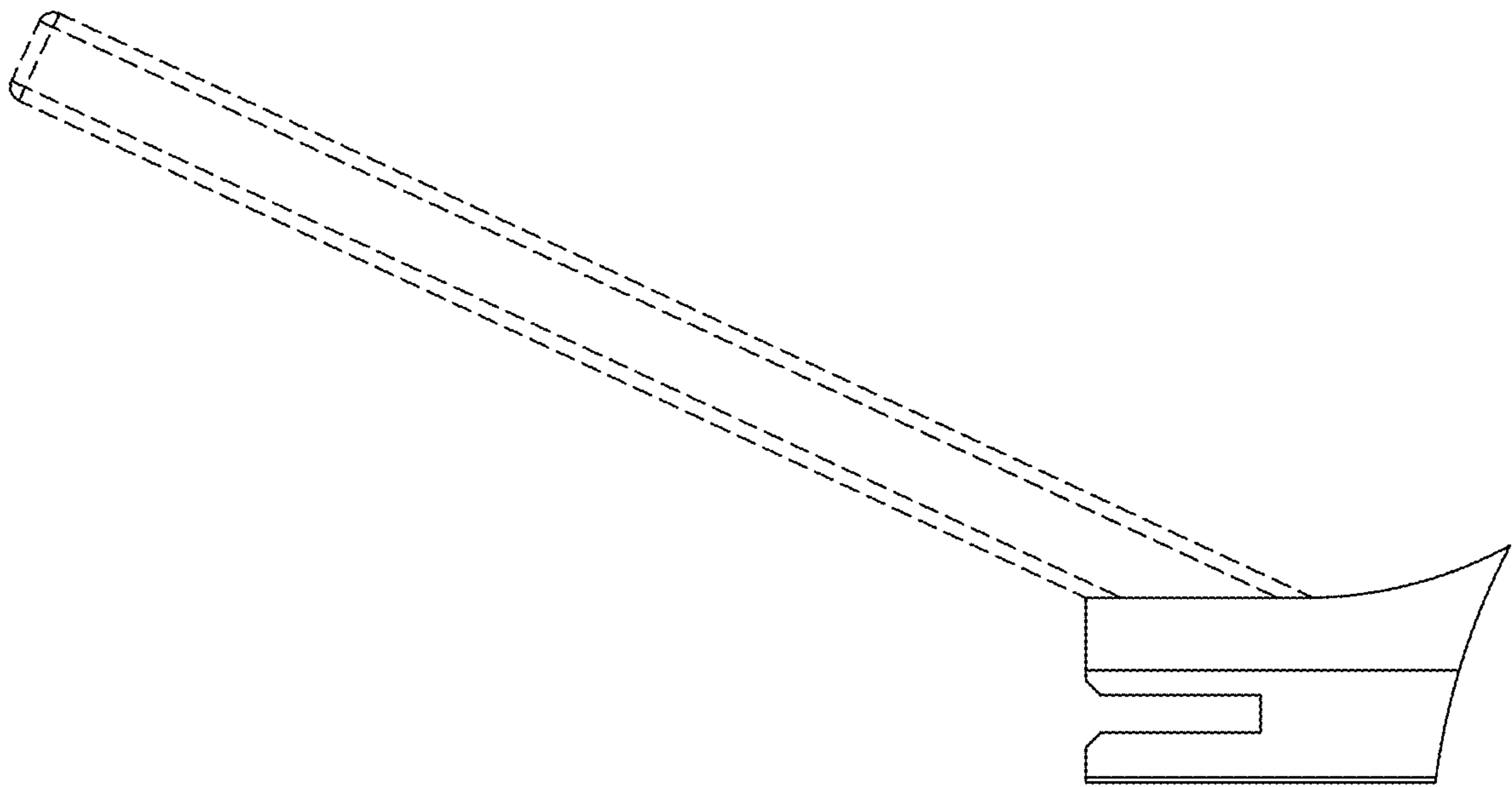


FIG. 6

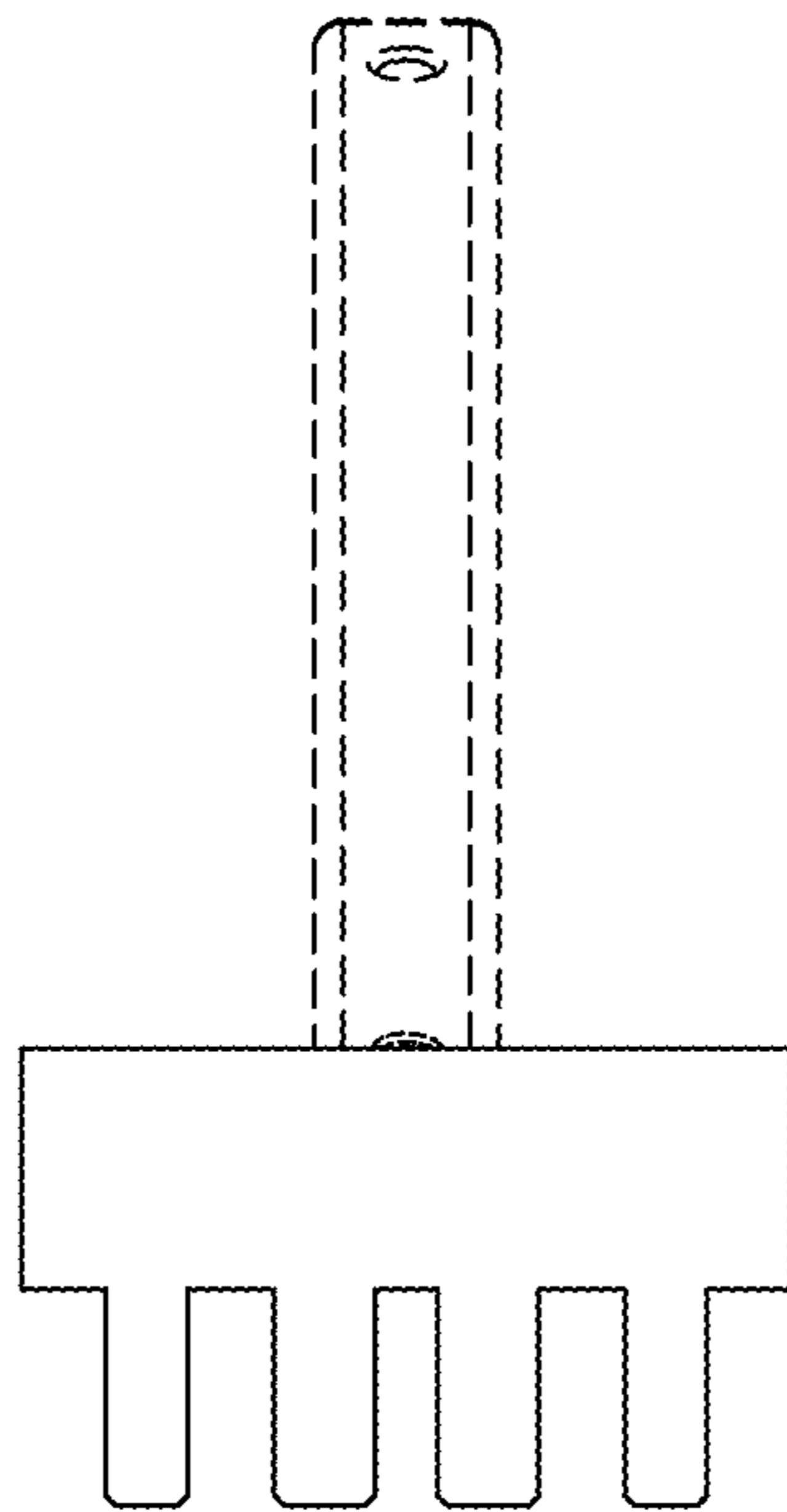


FIG. 7

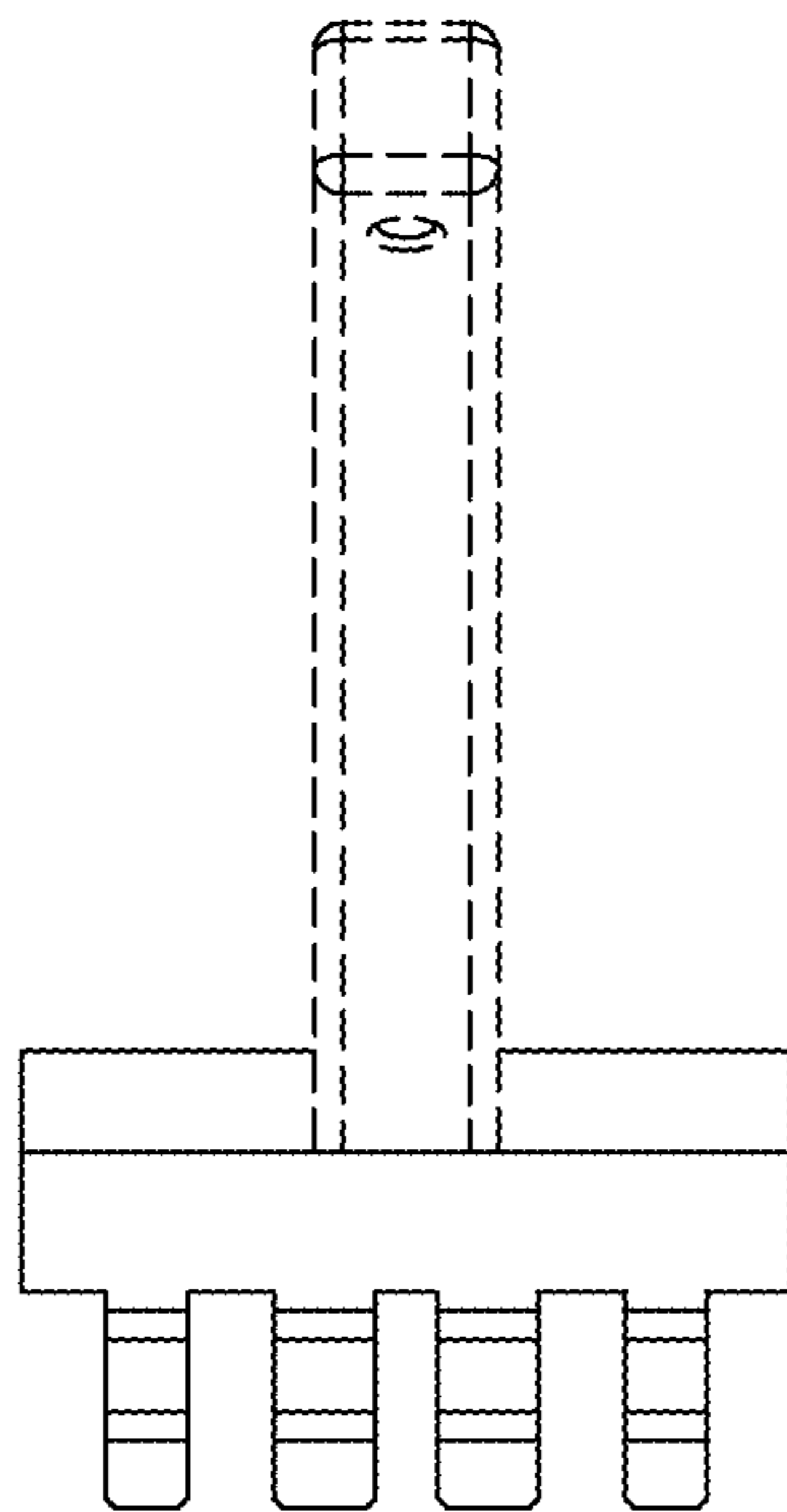


FIG. 8