



US00D954373S

(12) **United States Design Patent**
Metzel

(10) **Patent No.:** **US D954,373 S**
(45) **Date of Patent:** **** Jun. 7, 2022**

(54) **FLOOR MOP**

FOREIGN PATENT DOCUMENTS

(71) Applicant: **Carl Freudenberg KG**, Weinheim
(DE)

DE 10123522 C1 8/2002
DE 202004010429 U1 10/2004

(Continued)

(72) Inventor: **Doug Metzel**, Lombard, IL (US)

(73) Assignee: **Carl Freudenberg KG**, Weinheim
(DE)

OTHER PUBLICATIONS

O’Cedar ProMist mop, customer question Nov. 5, 2018, site visited
Jul. 13, 2021, https://www.homedepot.com/p/O-Cedar-ProMist-MAX-Microfiber-Spray-Mop-168022/300382891#overlay.*

(Continued)

(**) Term: **15 Years**

(21) Appl. No.: **29/736,211**

(22) Filed: **May 28, 2020**

Primary Examiner — John R Yeh

(74) *Attorney, Agent, or Firm* — Leydig, Voit & Mayer,
Ltd.

Related U.S. Application Data

(63) Continuation-in-part of application No. 16/528,050,
filed on Jul. 31, 2019.

(51) **LOC (13) Cl.** **07-05**

(52) **U.S. Cl.**
USPC **D32/45**

(58) **Field of Classification Search**
USPC D32/45, 50–52; D4/134–135, 199
CPC A47L 13/24; A47L 13/25; A47L 13/20;
A47L 13/12
See application file for complete search history.

(57) **CLAIM**

The ornamental design for a floor mop, as shown and
described.

(56) **References Cited**

U.S. PATENT DOCUMENTS

- 3,363,948 A * 1/1968 Carter F16B 2/065
403/233
- 3,775,802 A 12/1973 Grassman et al.
- 3,977,570 A 8/1976 Smrt
- D401,703 S * 11/1998 Beechuk D32/45
- D458,427 S * 6/2002 Kunkler D32/45
- D482,829 S * 11/2003 Vosbikian D32/45
- D487,174 S * 2/2004 Colman D32/45
- 6,836,923 B2 * 1/2005 Treacy A47L 13/25
15/147.2
- D505,762 S * 5/2005 Lalanne D32/45

(Continued)

DESCRIPTION

FIG. 1 is a perspective view taken from the front and right
side of a floor mop showing a first configuration for our new
design

FIG. 2 is a front view of the floor mop of FIG. 1 in the first
configuration.

FIG. 3 is a rear view of the floor mop of FIG. 1 in the first
configuration.

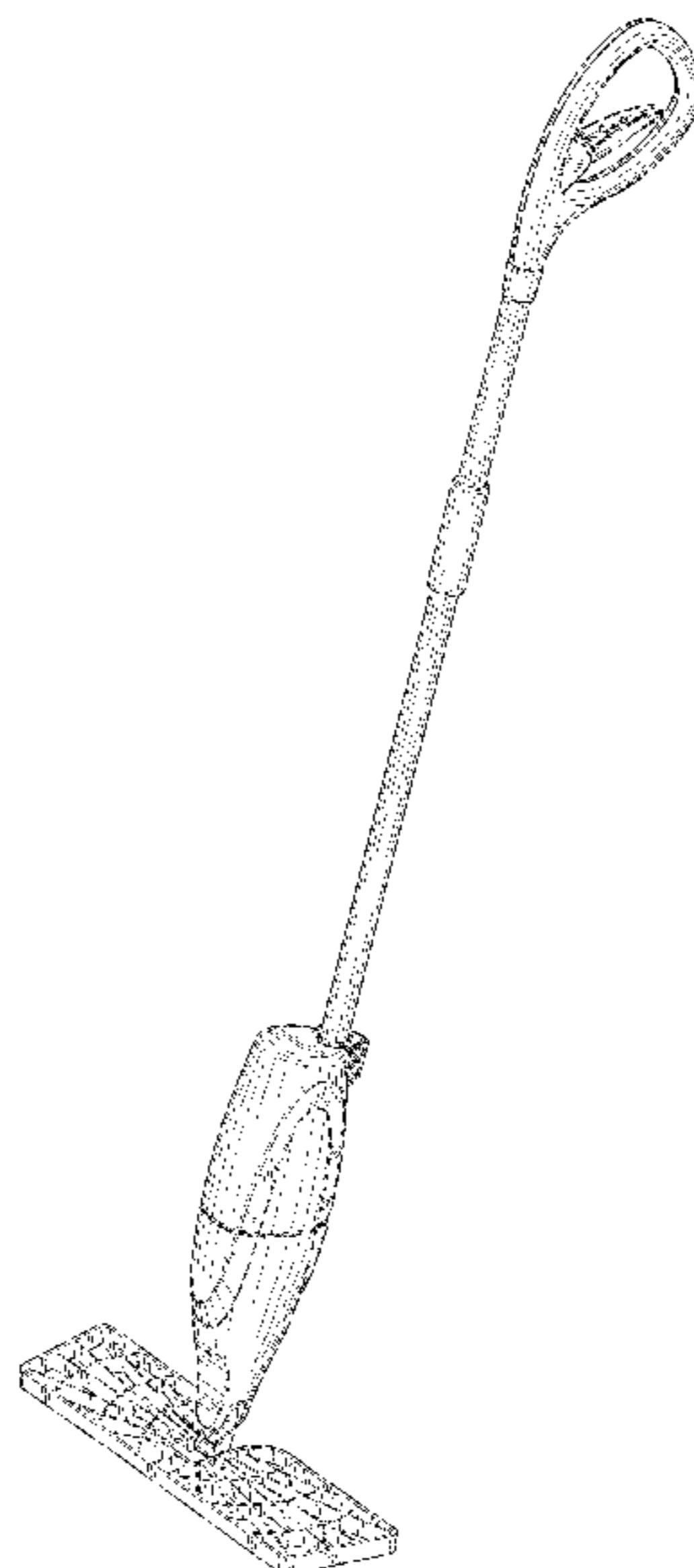
FIG. 4 is a top view of the floor mop of FIG. 1 in the first
configuration.

FIG. 5 is a bottom view of the spray mop of FIG. 1 in the
first configuration.

FIG. 6 is a right side elevation view of the floor mop of FIG.
1 in the first configuration; and,

FIG. 7 is a left side elevation view of the spray mop of FIG.
1. In the first configuration.

1 Claim, 4 Drawing Sheets



(56)

References Cited

U.S. PATENT DOCUMENTS

7,127,772 B2 * 10/2006 Dingert A47L 13/12
15/228
D583,118 S * 12/2008 Snyder D32/51
D599,517 S * 9/2009 Vrdoljak A47L 13/225
D32/40
D607,168 S * 12/2009 Libman D32/45
D657,928 S * 4/2012 Byrne D32/50
D660,533 S * 5/2012 Hill D32/45
D664,729 S * 7/2012 Robertson D32/50
D673,748 S * 1/2013 Snyder D32/50
8,425,137 B1 * 4/2013 Sampaio A47L 13/22
401/139
D747,054 S * 1/2016 Seifts D32/45
D765,330 S * 8/2016 Lentine D32/45
D806,338 S * 12/2017 Metzel D32/45
D810,371 S * 2/2018 Lentine D32/45
D817,574 S * 5/2018 Libman D32/50
10,034,592 B2 * 7/2018 Vrdoljak A47L 13/225
D834,778 S * 11/2018 Palladino D32/45
D866,895 S * 11/2019 McDonnell D32/45
D922,712 S * 6/2021 Harrington D32/50
2004/0146332 A1 7/2004 Fu
2006/0195996 A1 * 9/2006 Petner A47L 13/12
15/118
2007/0107153 A1 5/2007 Gullicks et al.
2007/0209139 A1 9/2007 Carlucci et al.
2007/0240268 A1 * 10/2007 Le A47L 13/20
15/98

2013/0104327 A1 * 5/2013 Borofsky A47L 13/12
15/115
2016/0256029 A1 * 9/2016 Weaver A47L 13/12
2020/0253449 A1 * 8/2020 Enger A47L 13/24

FOREIGN PATENT DOCUMENTS

WO WO 01/72195 A1 10/2001
WO WO 2006/002919 A1 1/2006

OTHER PUBLICATIONS

O Cedar Promist mop review, article date Dec. 8, 2021, site visited Jan. 20, 2021, <https://mopreviews.com/o-cedar-promist-max-spray-mop-review/>.
O Cedar Promist, Bigdealsbay website 2022, site visited Jan. 20, 2021, <https://bigdealsbay.com/products/cedar-promist-max-spray-mop-1-extra-refill-red?variant=40295896187077>.
European Patent Office, International Search Report in International Patent Application No. PCT/IB2020/057037, 5 pp. (dated Oct. 29, 2020).
European Patent Office, Written Opinion in International Patent Application No. PCT/IB2020/057037, 8 pp. (dated Oct. 29, 2020).
European Patent Office, International Search Report in International Patent Application No. PCT/IB2020/057034, 4 pp. (dated Oct. 20, 2020).
European Patent Office, Written Opinion in International Patent Application No. PCT/IB2020/057034, 6 pp. (dated Oct. 20, 2020).

* cited by examiner

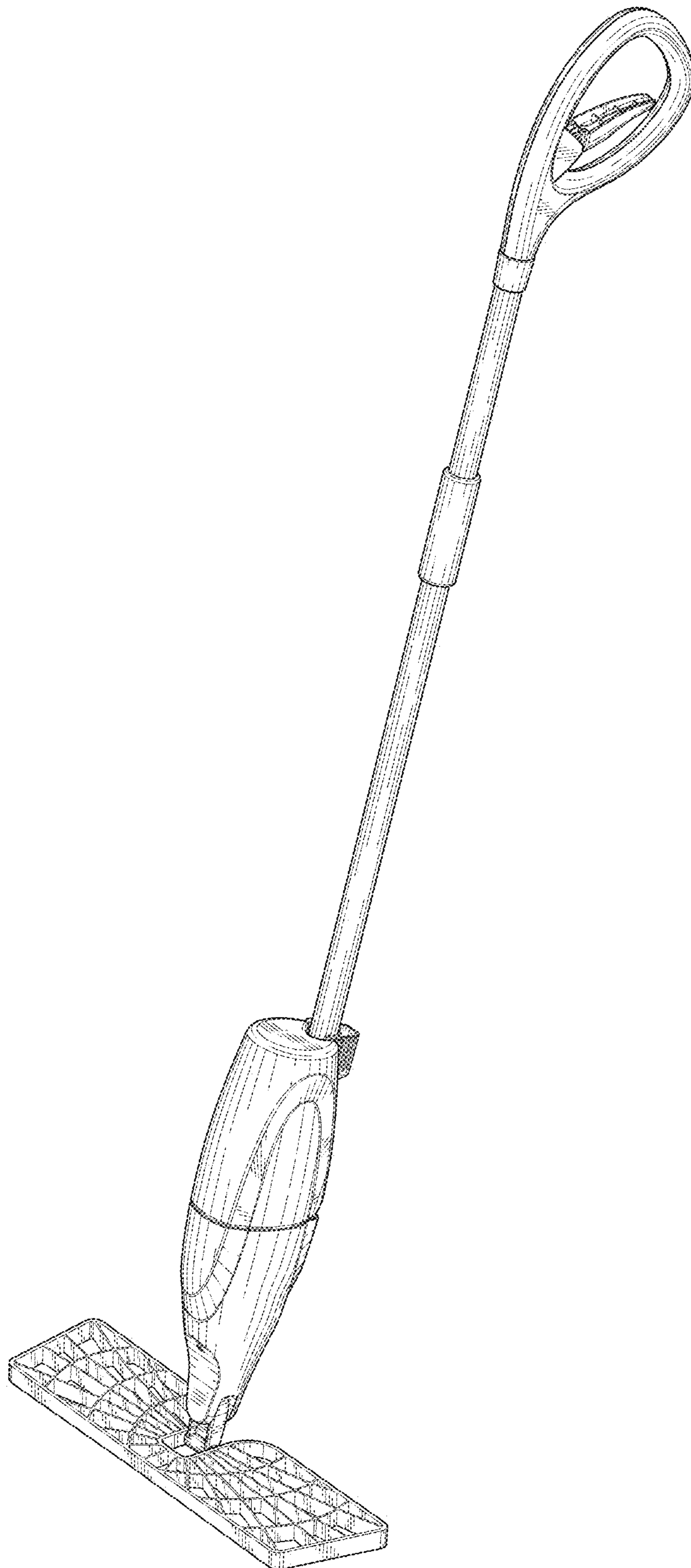


FIG. 1

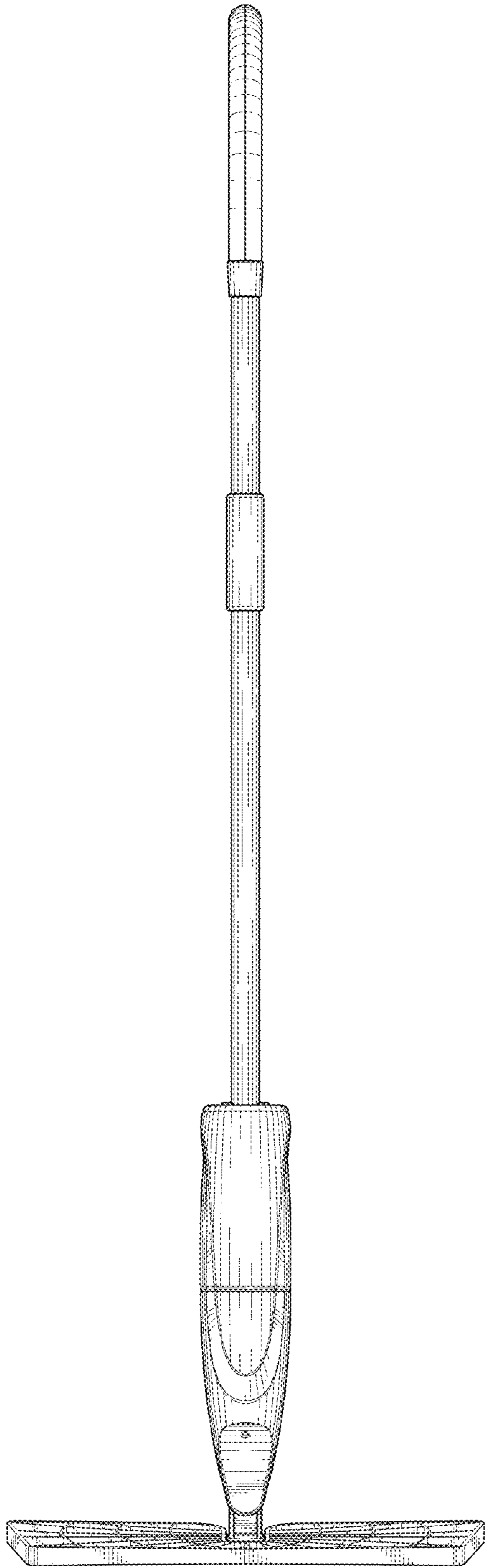


FIG. 2

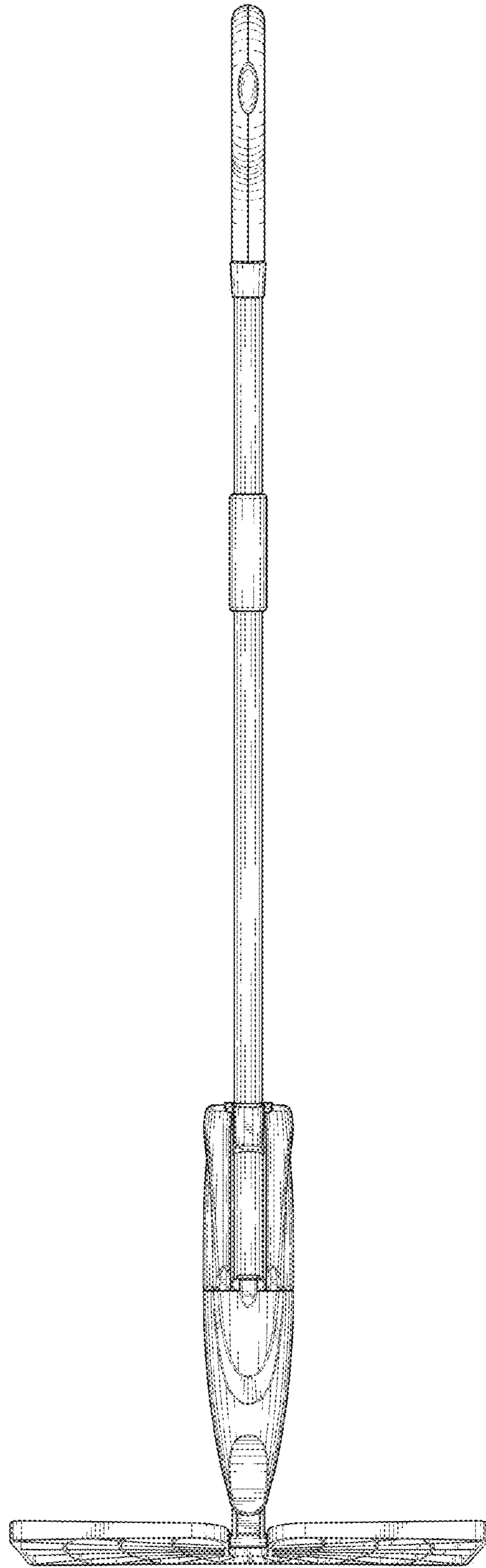


FIG. 3

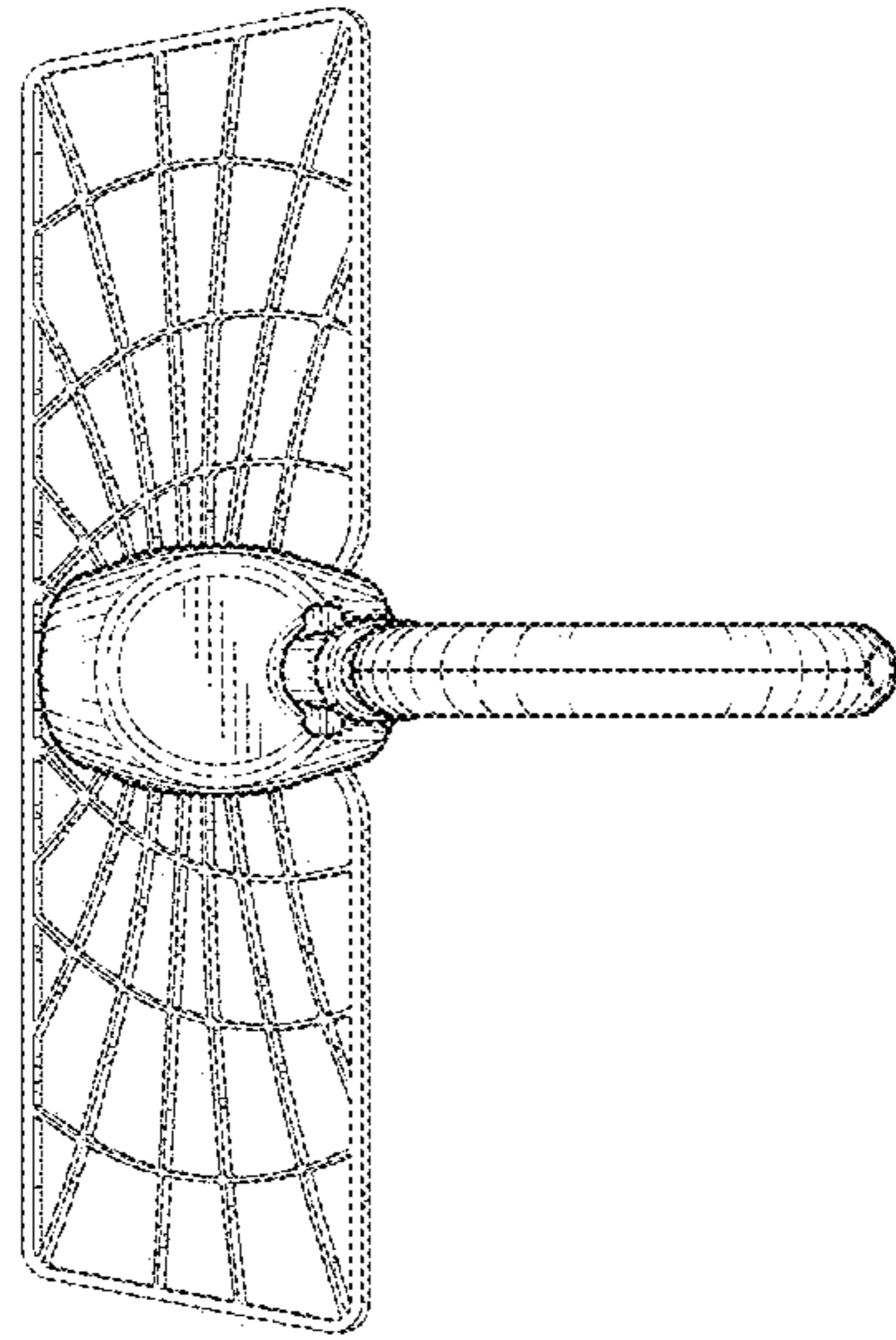


FIG. 4

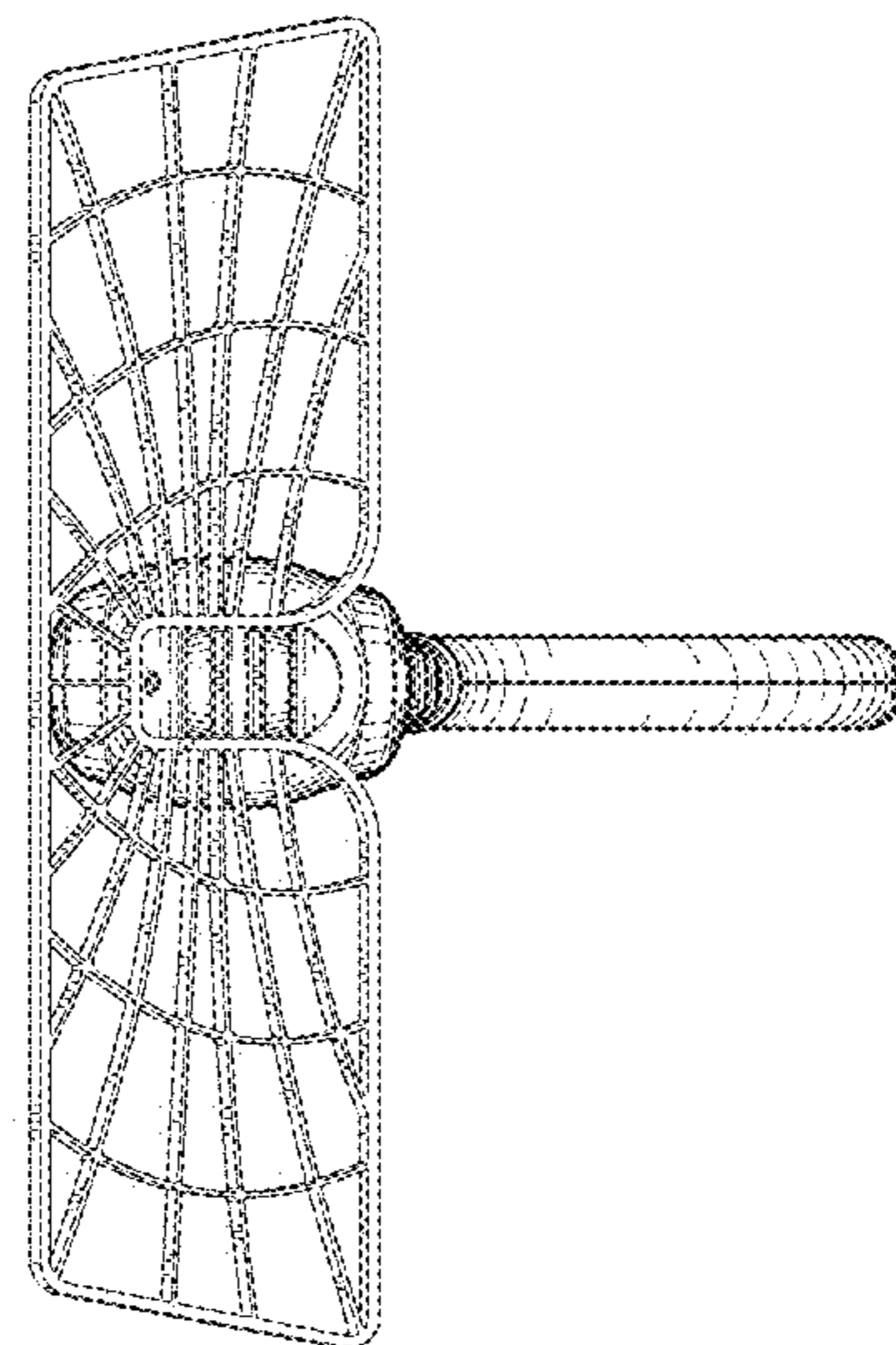


FIG. 5

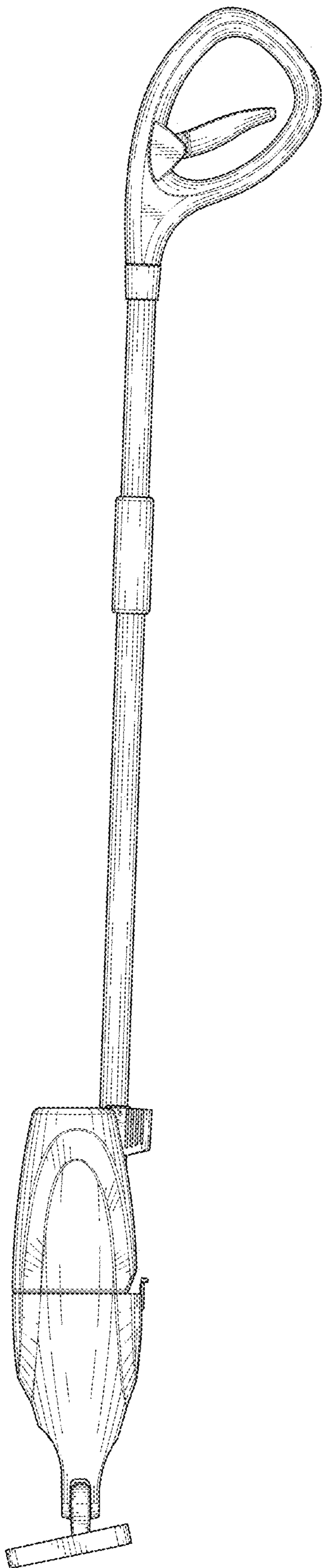


FIG. 6

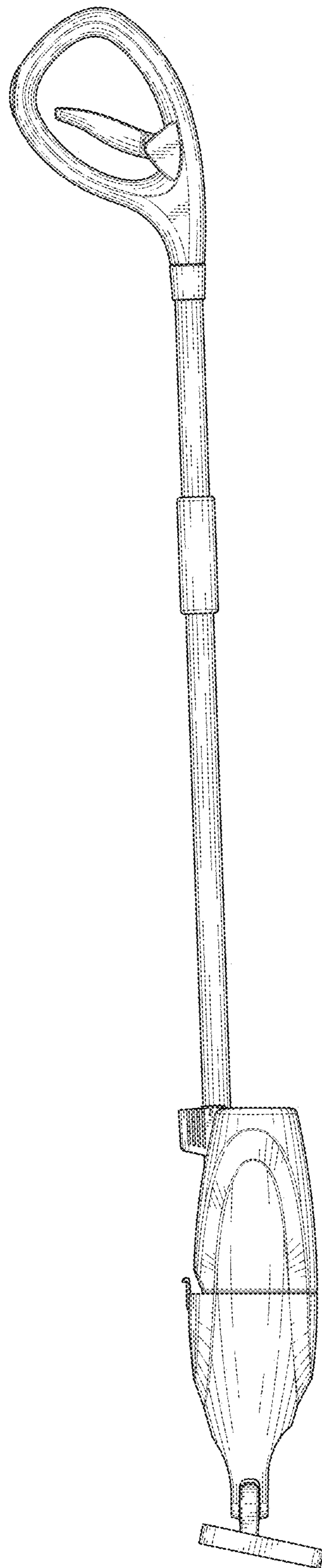


FIG. 7