



US00D954372S

(12) **United States Design Patent**  
**Pellegrino**

(10) **Patent No.:** **US D954,372 S**  
(45) **Date of Patent:** **\*\* Jun. 7, 2022**

(54) **TILE AND GROUT CLEANING PAD**

(71) Applicant: **Leonard Pellegrino**, San Diego, CA  
(US)

(72) Inventor: **Leonard Pellegrino**, San Diego, CA  
(US)

(\*\*) Term: **15 Years**

(21) Appl. No.: **29/714,926**

(22) Filed: **Nov. 26, 2019**

**Related U.S. Application Data**

(63) Continuation-in-part of application No. 29/673,870, filed on Dec. 18, 2018, now Pat. No. Des. 869,807, which is a continuation-in-part of application No. 29/582,099, filed on Oct. 25, 2016, now Pat. No. Des. 836,276.

(51) **LOC (13) Cl.** ..... **07-05**

(52) **U.S. Cl.**  
USPC ..... **D32/40; D4/120**

(58) **Field of Classification Search**  
USPC ..... D32/40-43, 50-51  
CPC ..... A47L 13/16; A47L 25/00; A47L 13/20  
See application file for complete search history.

(56) **References Cited**

**U.S. PATENT DOCUMENTS**

4,140,409	A *	2/1979	DeVries	.....	A45D 34/04 401/132
D274,098	S	5/1984	Kaufman		
D321,761	S *	11/1991	Shimizu	.....	D24/187
5,522,110	A	6/1996	Borofsky		
D401,099	S	11/1998	Pawson et al.		
D417,117	S	11/1999	Gerk		
6,023,809	A *	2/2000	Demetriades	.....	A47L 13/20 15/229.1
D474,031	S	5/2003	Wassil et al.		

6,842,936	B2	1/2005	Policicchi et al.		
7,033,965	B2 *	4/2006	Takabayashi	.....	A47L 13/16 15/208
D523,274	S	6/2006	Miyoshi		
D549,030	S	8/2007	Kessler et al.		
D551,408	S	9/2007	Pung et al.		
D608,127	S	1/2010	Venugopal		
D623,882	S	9/2010	Oster		
D642,759	S	8/2011	Otsuka et al.		
D649,312	S *	11/2011	Adams	.....	D32/40
D657,927	S *	4/2012	Adams	.....	D32/40
8,225,453	B2 *	7/2012	Yamada	.....	A47L 13/38 15/229.1
D666,860	S	9/2012	Lubart		
D667,187	S *	9/2012	Sowinski	.....	D32/40
D674,566	S	1/2013	Colangelo		
D782,750	S *	3/2017	Denney	.....	D30/158
D797,460	S *	9/2017	Pellegrino	.....	D4/120
D836,275	S *	12/2018	Pellegrino	.....	D32/40

(Continued)

*Primary Examiner* — John R Yeh

(74) *Attorney, Agent, or Firm* — Gary L. Eastman, Esq.;  
Eastman IP

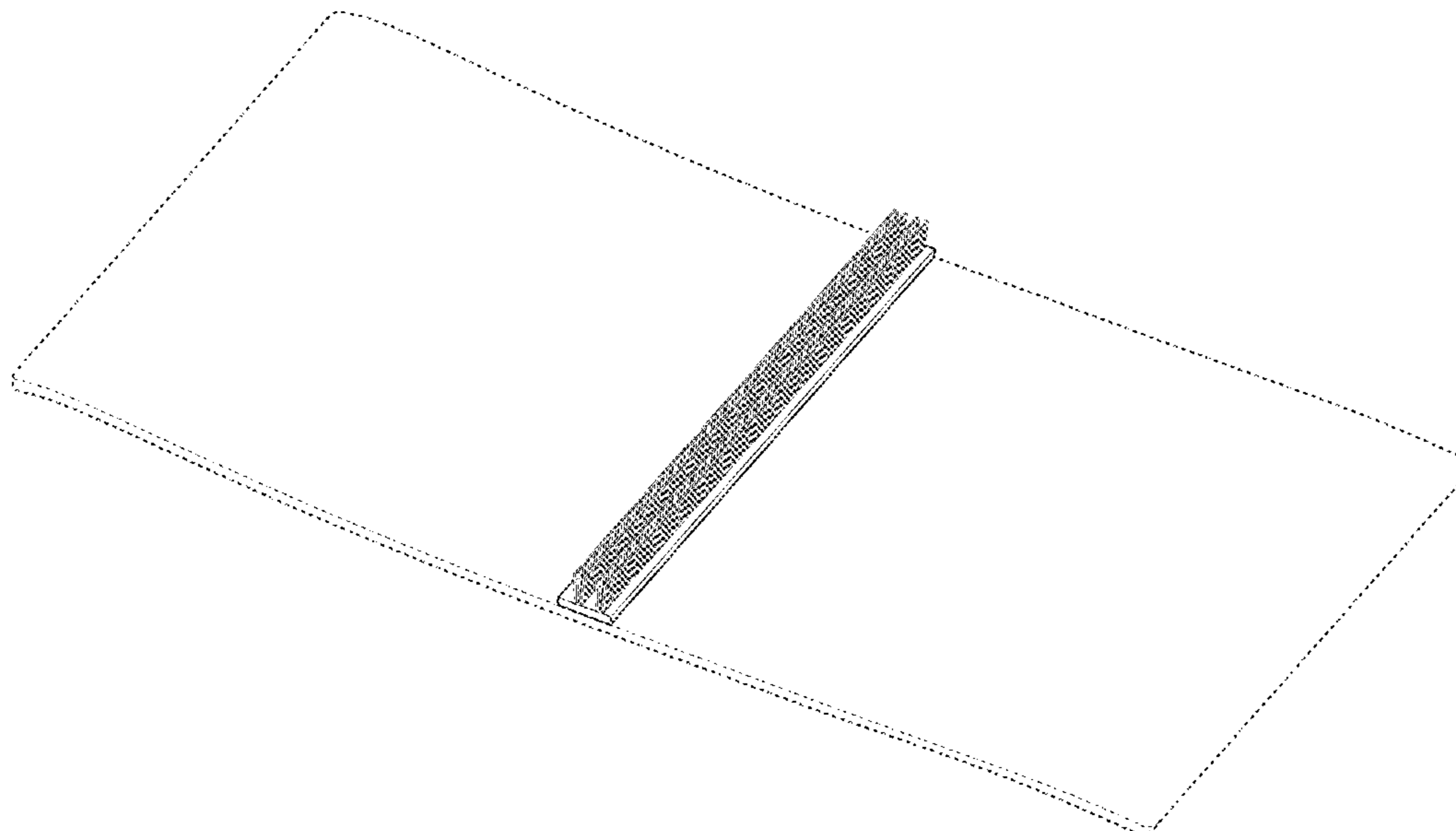
(57) **CLAIM**

The ornamental design for a tile and grout cleaning pad, as shown and described.

**DESCRIPTION**

FIG. 1 is a top perspective view of the tile and grout cleaning pad showing my new design;  
FIG. 2 is a top plan view thereof;  
FIG. 3 is a bottom plan view thereof;  
FIG. 4 is a front elevational view thereof;  
FIG. 5 is a back elevational view thereof;  
FIG. 6 is a right side elevational view thereof; and,  
FIG. 7 is a left side elevational view thereof.  
The broken lines in the figures represent portions of the tile and grout cleaning pad that form no part of the claimed design.

**1 Claim, 5 Drawing Sheets**



(56)

**References Cited**

U.S. PATENT DOCUMENTS

D836,276 S \* 12/2018 Pellegrino ..... D32/40  
D867,704 S \* 11/2019 Hagee ..... D32/40  
10,595,625 B2 \* 3/2020 Pellegrino ..... A46B 3/005  
D905,362 S \* 12/2020 Pellegrino ..... D32/40  
D905,363 S \* 12/2020 Pellegrino ..... D32/40  
D906,612 S \* 12/2020 Pellegrino ..... D32/40  
2006/0096051 A1 \* 5/2006 Akai ..... A47L 13/20  
15/104.93  
2007/0107155 A1 5/2007 Kacher et al.  
2010/0088837 A1 \* 4/2010 Wada ..... A47L 13/38  
15/209.1  
2012/0042467 A1 2/2012 Mandhai et al.

\* cited by examiner

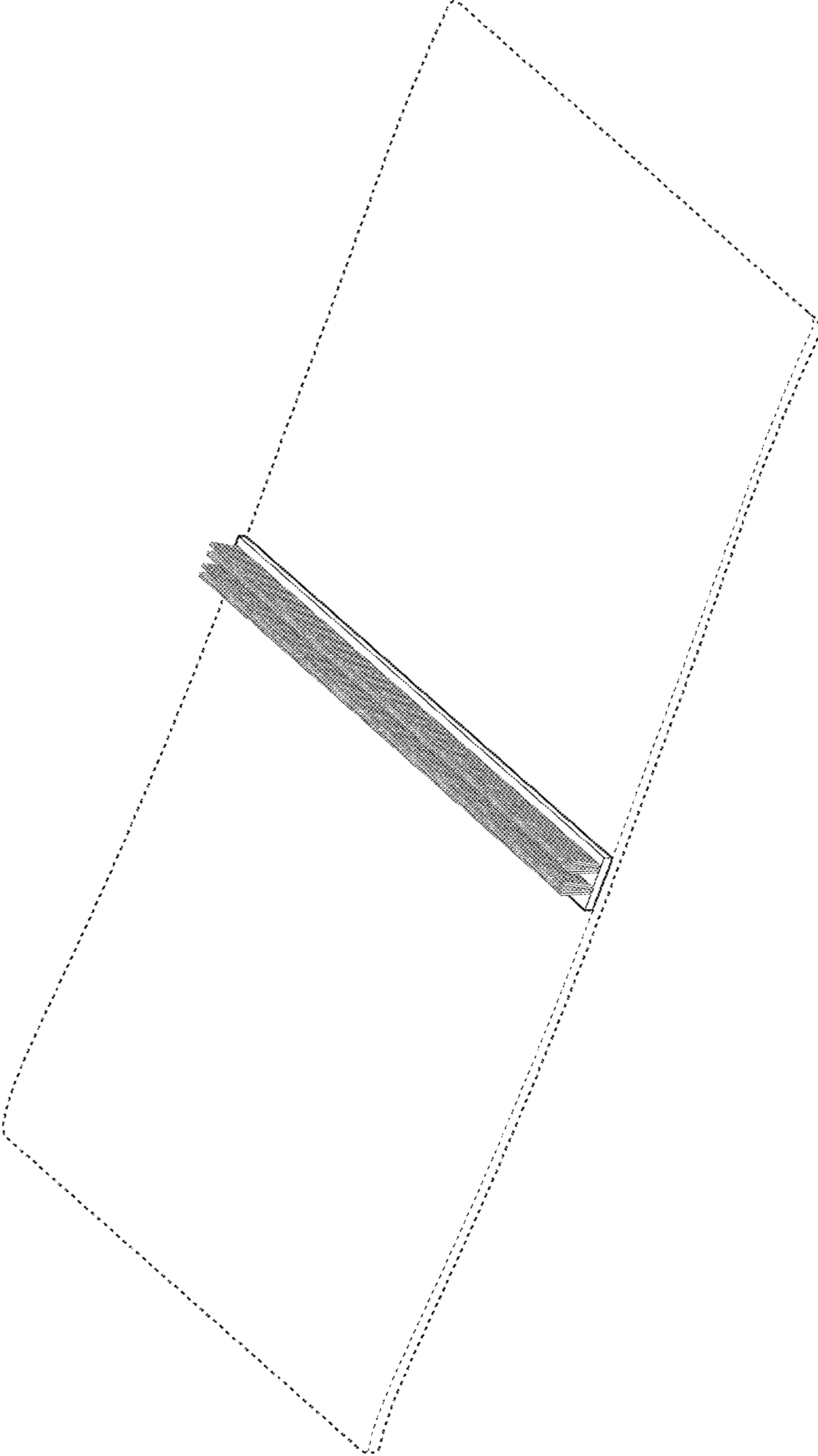
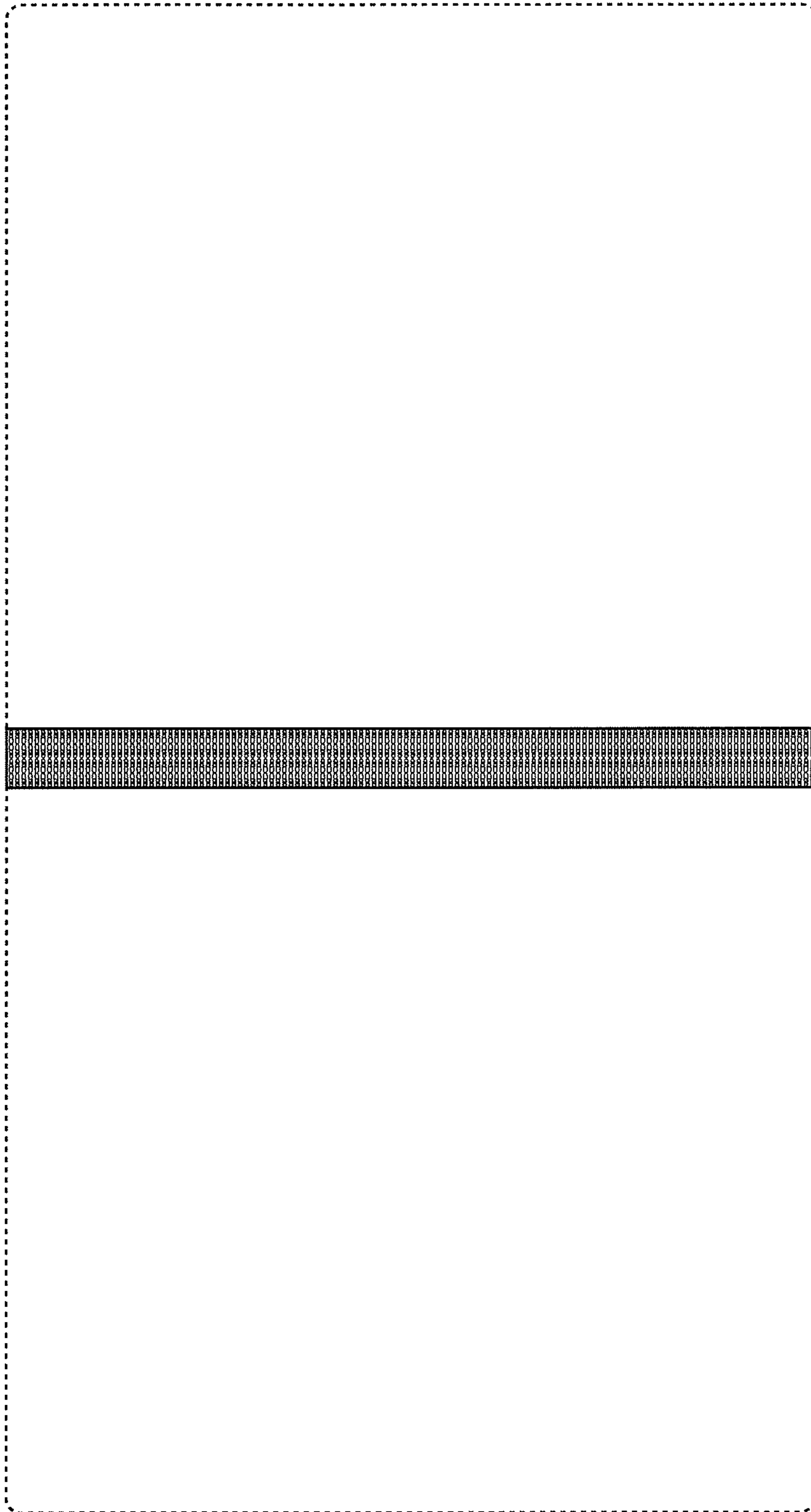
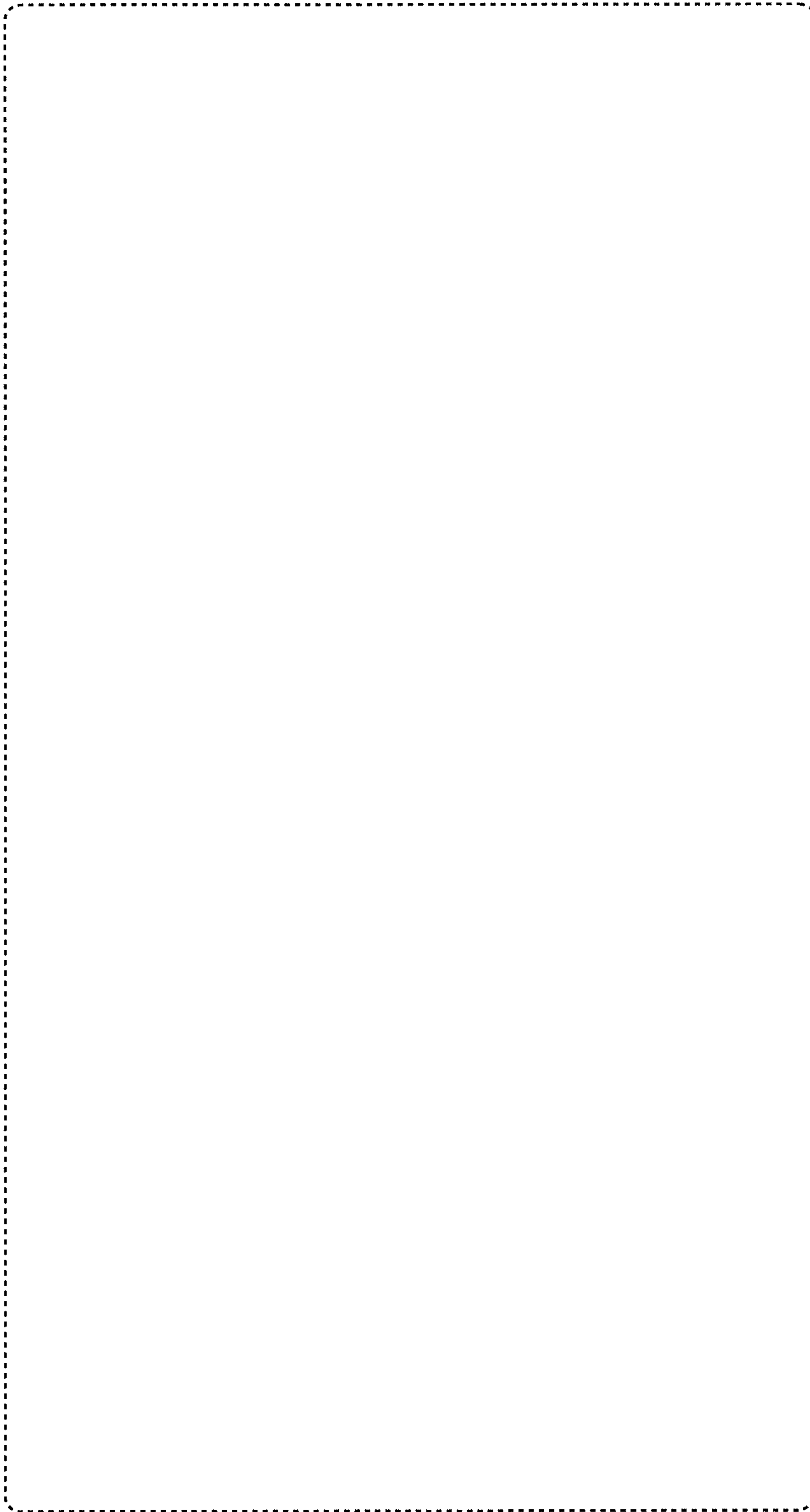


FIG. 1



**FIG. 2**



**FIG. 3**

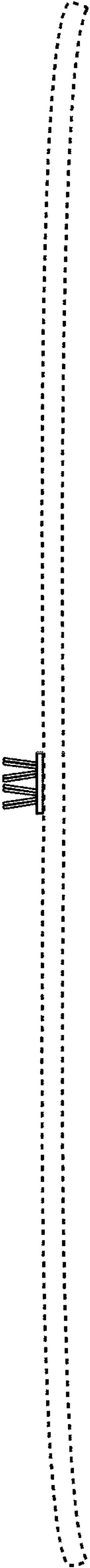


FIG. 4

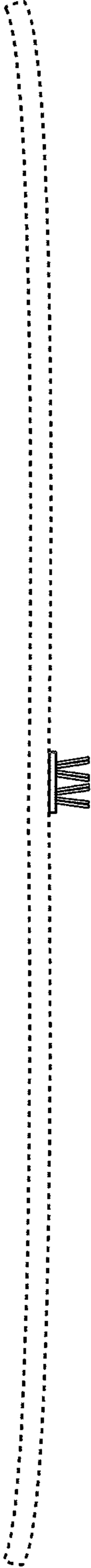
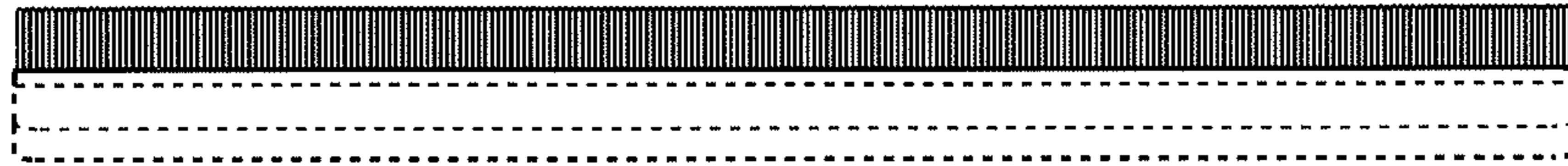
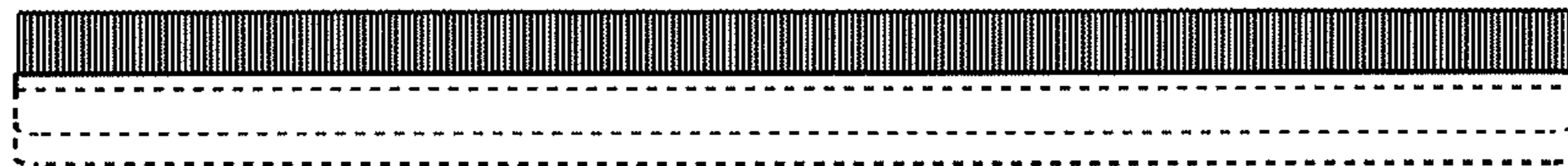


FIG. 5



**FIG. 6**



**FIG. 7**