



US00D954371S

(12) **United States Design Patent**  
**Cai**

(10) **Patent No.:** **US D954,371 S**  
(45) **Date of Patent:** **\*\* Jun. 7, 2022**

(54) **HAND-HELD VACUUM CLEANER**

(71) Applicant: **Dongguan Fornice Intelligent Technology Co., Ltd.**, Dongguan (CN)

(72) Inventor: **Zhan Cai**, Dongguan (CN)

(73) Assignee: **Dongguan Fornice Intelligent Technology Co., Ltd.**

(\*\*) Term: **15 Years**

(21) Appl. No.: **29/721,921**

(22) Filed: **Jan. 24, 2020**

(51) **LOC (13) Cl.** ..... **15-05**

(52) **U.S. Cl.**  
USPC ..... **D32/22; D32/18**

(58) **Field of Classification Search**  
USPC ..... D32/17, 18, 22, 31; D21/526  
CPC ..... A47L 5/24; A47L 5/28; A47L 5/30; A47L 5/34; A47L 5/36; A47L 9/04; A47L 9/102; A47L 9/106; A47L 11/30; A47L 11/302; A47L 11/4005; A47L 11/4008; A47L 11/4044; B04C 5/185; B23Q 11/0046; B23Q 11/0071; E04H 4/1636  
See application file for complete search history.

(56) **References Cited**

U.S. PATENT DOCUMENTS

D731,130 S	*	6/2015	Dyson	.....	D32/18
D738,584 S	*	9/2015	Niedzwecki	.....	D32/22
D774,260 S	*	12/2016	Manning	.....	D32/22
D799,767 S	*	10/2017	Palladino	.....	D32/22
D800,980 S	*	10/2017	Carter	.....	D32/21
D819,282 S	*	5/2018	Kim	.....	D32/22
D824,616 S	*	7/2018	Ward	.....	D32/22
D830,016 S	*	10/2018	Lim	.....	D32/22
D830,017 S	*	10/2018	Nam	.....	D32/22
D838,067 S	*	1/2019	Irfan	.....	B04C 5/185
					D32/22
D861,268 S	*	9/2019	Meyer	.....	D32/22

(Continued)

FOREIGN PATENT DOCUMENTS

IN	297331-0001	*	11/2018
JP	D2017-20056	*	4/2019

(Continued)

OTHER PUBLICATIONS

Proscenic P10 Upgraded Version Cordless Vacuum Cleaner, available in Amazon.co.uk, date first available Nov. 5, 2020 [online], [site visited Apr. 2, 2021], Available from the internet . . . URL: [https://www.amazon.co.uk/Proscenic-P10-Upgraded-Adjustable-Removable/dp/B08MF7273M/ref=sr\\_1\\_3?dchild=1&keywords=Proscenic+P10+Upgraded+Version+Cordless+Vacuum+Cleaner%2C&qid=1617905746&s=kitchen&sr=1-3](https://www.amazon.co.uk/Proscenic-P10-Upgraded-Adjustable-Removable/dp/B08MF7273M/ref=sr_1_3?dchild=1&keywords=Proscenic+P10+Upgraded+Version+Cordless+Vacuum+Cleaner%2C&qid=1617905746&s=kitchen&sr=1-3) (Year: 2020).\*

(Continued)

*Primary Examiner* — Dana K Weiland  
*Assistant Examiner* — Jennylou M Binas

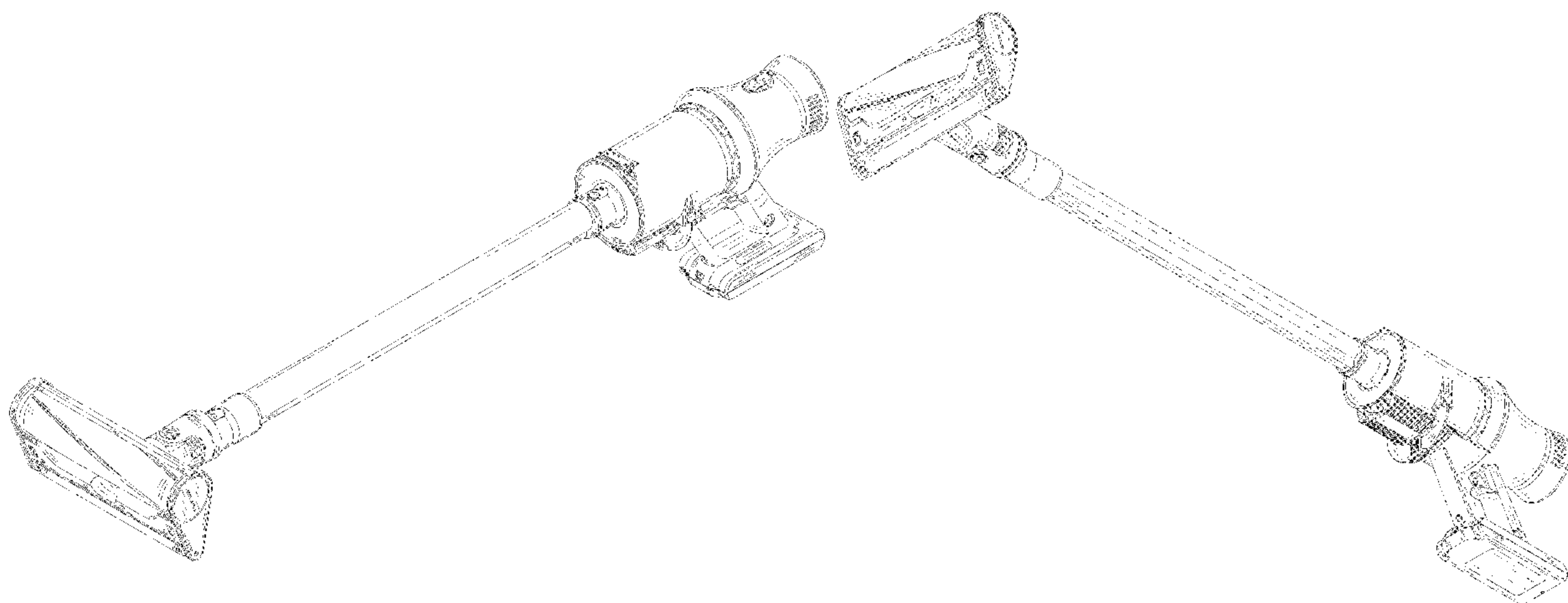
(57) **CLAIM**

The ornamental design for a hand-held vacuum cleaner, as shown and described.

**DESCRIPTION**

FIG. 1 is a front view of a hand-held vacuum cleaner, showing my new design;  
FIG. 2 is a back view thereof;  
FIG. 3 is an enlarged view of the left side of the hand-held vacuum cleaner;  
FIG. 4 is an enlarged view of the right side of the hand-held vacuum cleaner;  
FIG. 5 is a top view of the hand-held vacuum cleaner;  
FIG. 6 is a bottom view thereof;  
FIG. 7 is a perspective view thereof; and,  
FIG. 8 is another perspective view thereof.  
The broken lines shown in the figures depict portions of the hand-held vacuum cleaner that form no part of the claimed design.

**1 Claim, 8 Drawing Sheets**



(56)

References Cited

U.S. PATENT DOCUMENTS

D862,011 S \* 10/2019 Kim ..... D32/22  
 D871,695 S \* 12/2019 Niedzwecki ..... D32/22  
 D897,616 S \* 9/2020 Chen ..... D32/22  
 D902,510 S \* 11/2020 Knight Adams ..... D32/22  
 D905,360 S \* 12/2020 Ma ..... D32/22  
 D905,919 S \* 12/2020 Niedzwecki ..... D32/34  
 D908,990 S \* 1/2021 Chen ..... D32/22  
 D912,344 S \* 3/2021 Choi ..... D32/22  
 D922,008 S \* 6/2021 Cole ..... D32/18  
 D927,110 S \* 8/2021 Ma ..... D32/22  
 D927,803 S \* 8/2021 Zou ..... D32/18  
 D929,685 S \* 8/2021 Choi ..... D32/18  
 D929,686 S \* 8/2021 Uim ..... D32/18  
 D932,122 S \* 9/2021 Xu ..... D32/18  
 D936,311 S \* 11/2021 Liu ..... D32/18  
 D939,793 S \* 12/2021 Liu ..... D32/18  
 D940,413 S \* 1/2022 Zou ..... D32/18  
 2009/0307863 A1 \* 12/2009 Milne ..... B04C 5/10  
 15/344  
 2016/0058257 A1 \* 3/2016 Ventress ..... A47L 9/0477  
 15/383  
 2018/0289227 A1 \* 10/2018 Takano ..... A47L 9/0081  
 2019/0183306 A1 \* 6/2019 King ..... A47L 5/24  
 2020/0069131 A1 \* 3/2020 Jung ..... A47L 5/26  
 2020/0163508 A1 \* 5/2020 Percy-Raine ..... A47L 9/102  
 2020/0204034 A1 \* 6/2020 Shin ..... H02K 3/34

FOREIGN PATENT DOCUMENTS

JP D1640470 \* 9/2019  
 JP D1642124 \* 9/2019  
 JP D1668040 \* 9/2020

OTHER PUBLICATIONS

Vistefly VX Cordless Vacuum Cleaner, available in Amazon.co.uk, date first available Jul. 1, 2020 [online], [site visited Apr. 2, 2021], Available from the internet . . . URL: [https://www.amazon.co.uk/Vistefly-Cordless-Handheld-Lightweight-Rechargeable/dp/B08C7P84BG/ref=sr\\_1\\_3?dchild=1&keywords=Vistefly+VX+Cordless+Vacuum+Cleaner&qid=1617905896&s=kitchen&sr=1-3](https://www.amazon.co.uk/Vistefly-Cordless-Handheld-Lightweight-Rechargeable/dp/B08C7P84BG/ref=sr_1_3?dchild=1&keywords=Vistefly+VX+Cordless+Vacuum+Cleaner&qid=1617905896&s=kitchen&sr=1-3) (Year: 2020).\*

Dibea Premium Portable Cordless, available in Amazon.ca, date first available May 22, 2019 [online], [site visited Apr. 2, 2021], Available from the internet . . . URL: [https://www.amazon.ca/Dibea-Portable-Lightweight-Multi-Function-F20MAX/dp/B07S234HY5/ref=sr\\_1\\_5?dchild=1&keywords=Dibea+Premium+Portable+Cordless+28KPa+Powerful+Vacuum+Cleaner&qid=1617912118&sr=8-5](https://www.amazon.ca/Dibea-Portable-Lightweight-Multi-Function-F20MAX/dp/B07S234HY5/ref=sr_1_5?dchild=1&keywords=Dibea+Premium+Portable+Cordless+28KPa+Powerful+Vacuum+Cleaner&qid=1617912118&sr=8-5) (Year: 2019).\*

Dyson V11 Torque Drive Cordless Vacuum Cleaner, available in Amazon.ca, date first available Mar. 21, 2019 [online], [site visited Apr. 2, 2021], Available from the internet . . . URL: [https://www.amazon.ca/Dyson-Torque-Drive-Cord-Free-Vacuum/dp/B07NX8XBMP/ref=sr\\_1\\_7?crd=2QCODT0KEN9B9&dchild=1&keywords=dyson+cordless+stick+vacuum&qid=1617912281&srefix=dyson+cordless+%2Caps%2C148&sr=8-7](https://www.amazon.ca/Dyson-Torque-Drive-Cord-Free-Vacuum/dp/B07NX8XBMP/ref=sr_1_7?crd=2QCODT0KEN9B9&dchild=1&keywords=dyson+cordless+stick+vacuum&qid=1617912281&srefix=dyson+cordless+%2Caps%2C148&sr=8-7) (Year: 2019).\*

\* cited by examiner

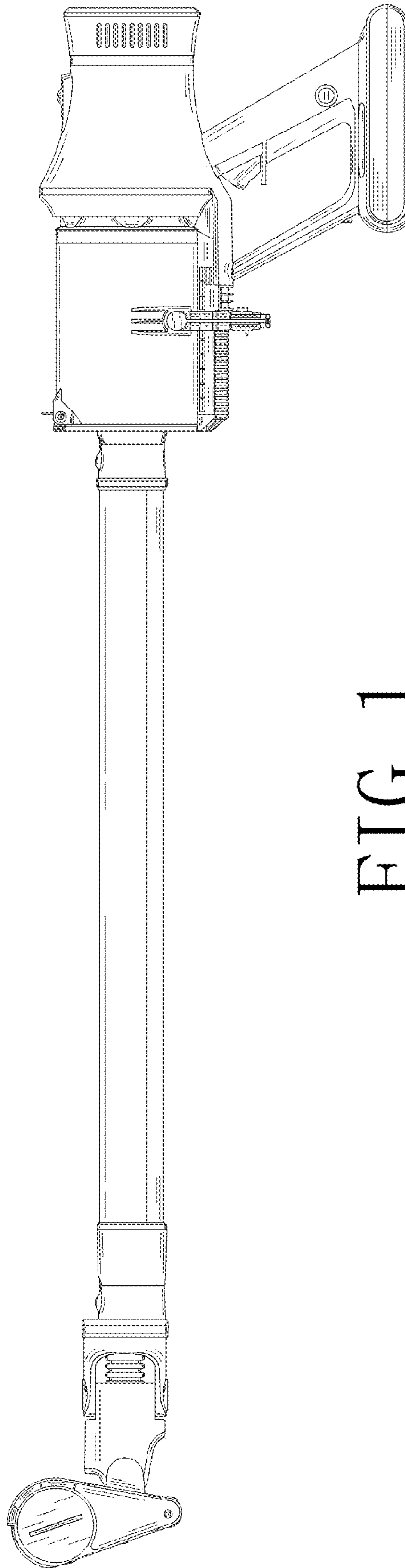


FIG. 1

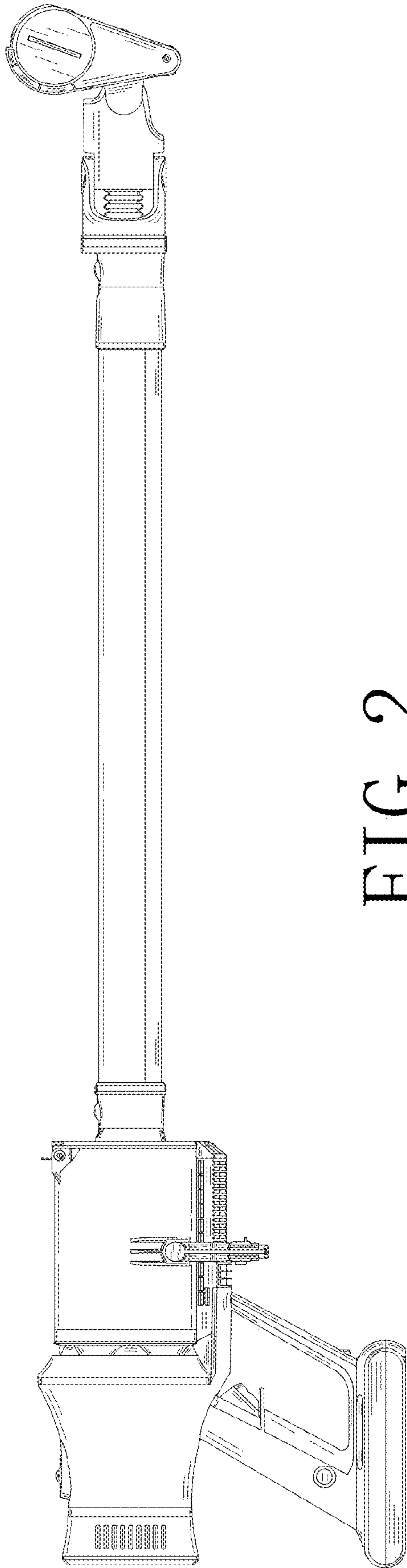


FIG. 2



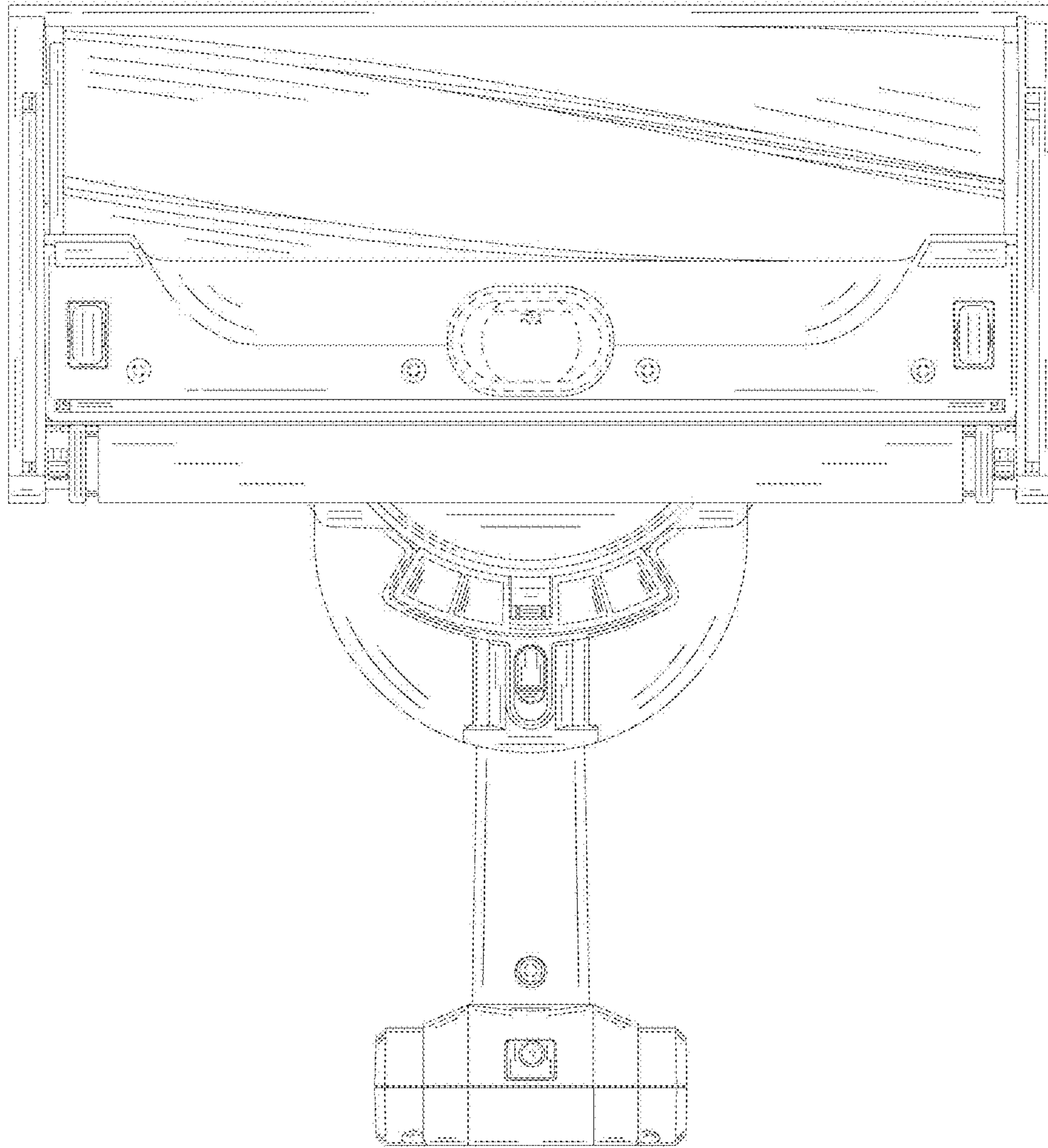


FIG. 3

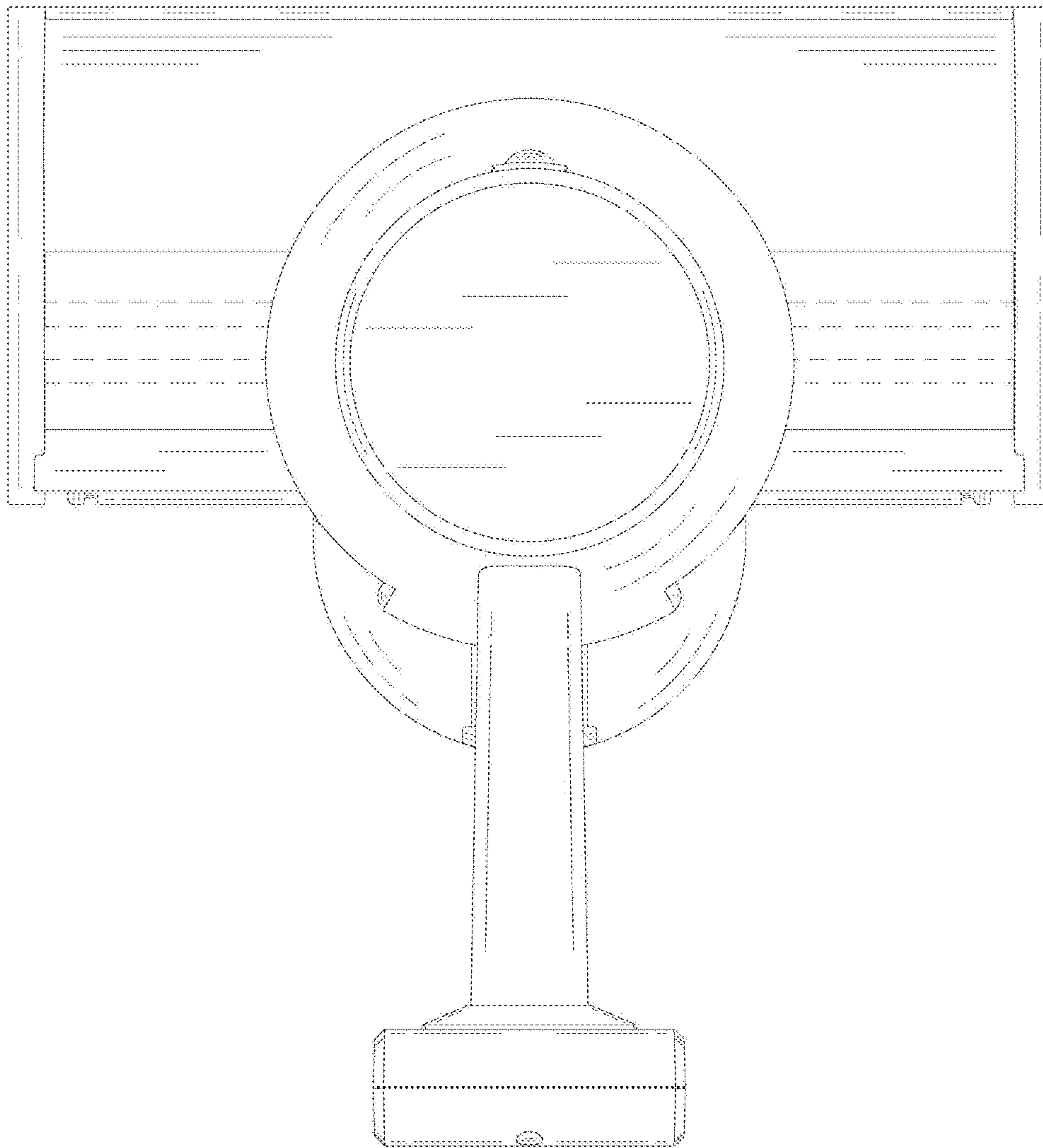


FIG. 4

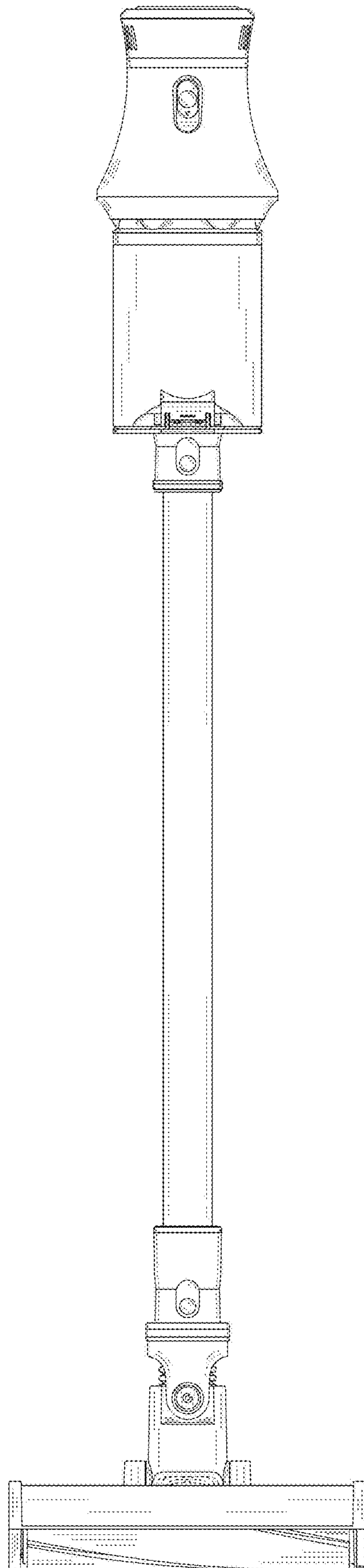


FIG. 5

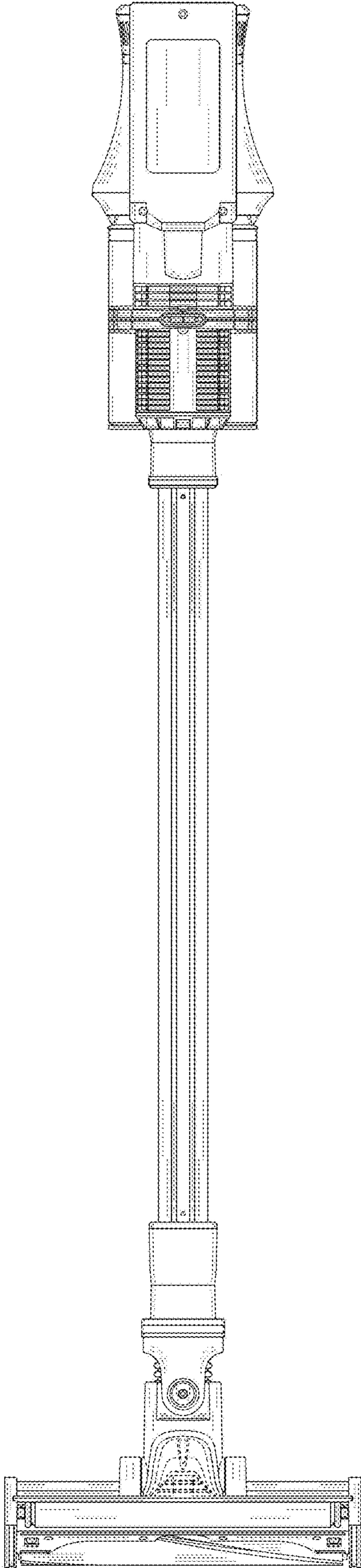


FIG. 6



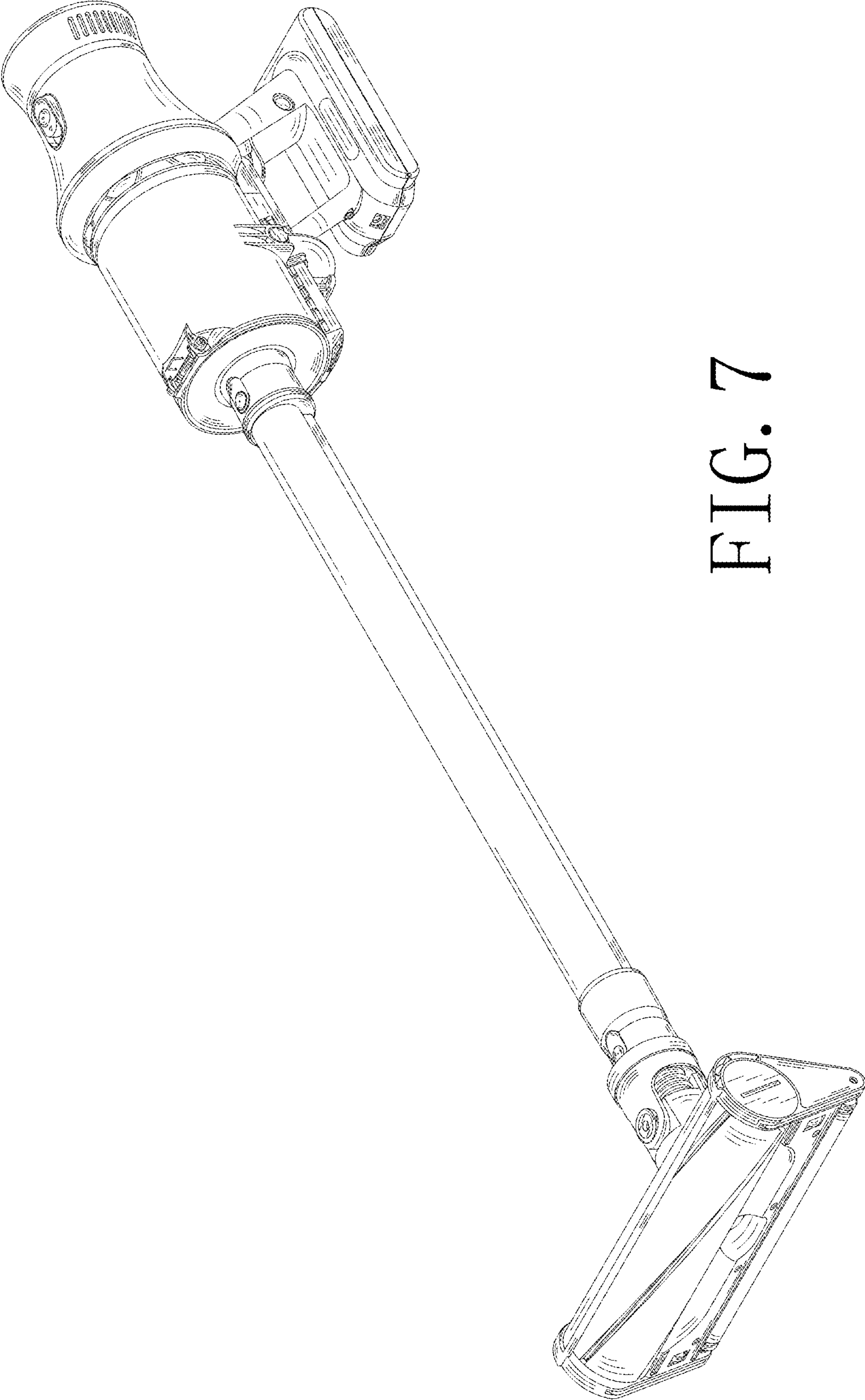


FIG. 7

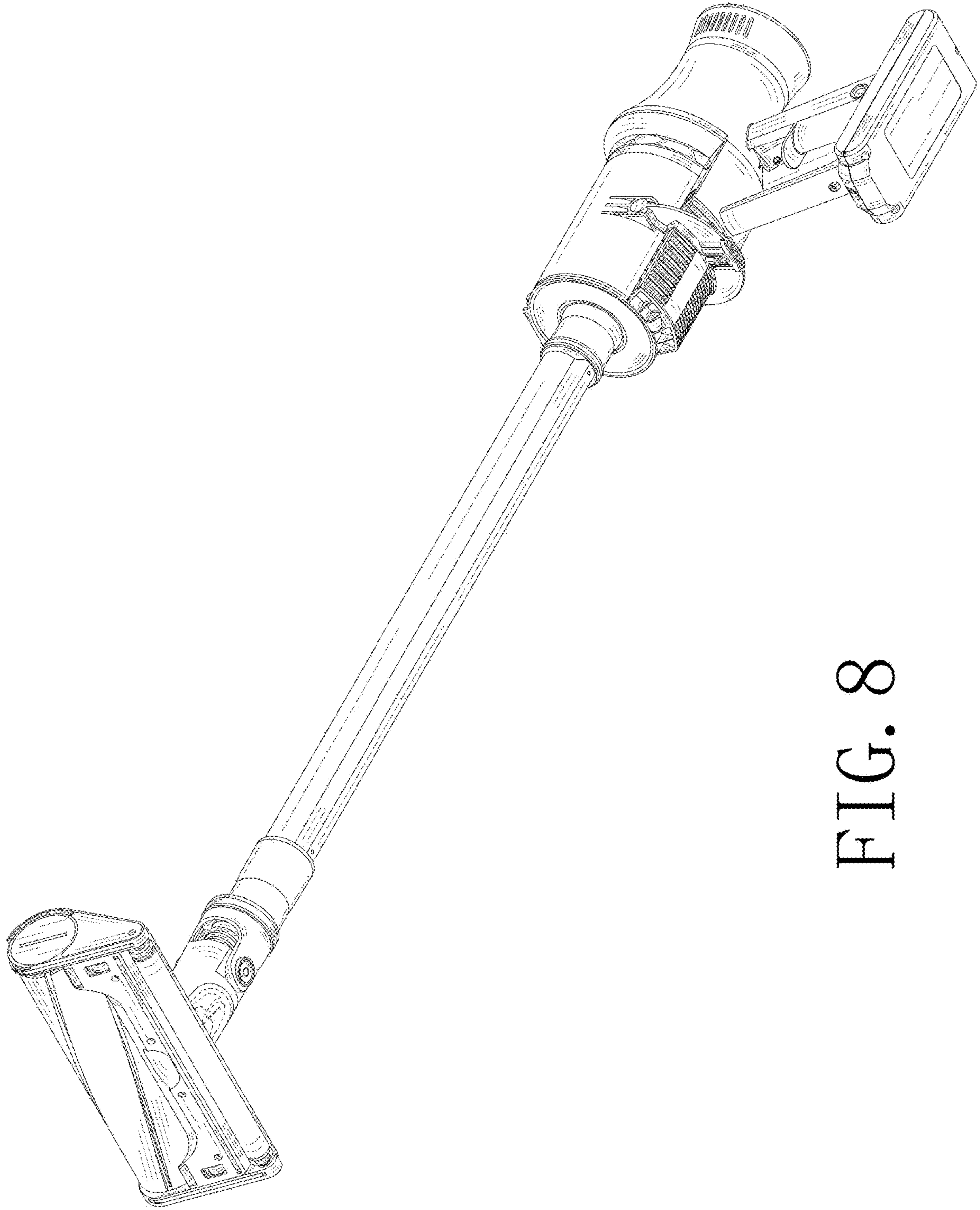


FIG. 8