



US00D954370S

(12) **United States Design Patent**
Tinius

(10) **Patent No.:** **US D954,370 S**
(45) **Date of Patent:** **** Jun. 7, 2022**

(54) **SURFACE CLEANER**

(71) Applicant: **Andreas Stihl AG & Co. KG**,
Waiblingen (DE)

(72) Inventor: **Michael Tinius**, Ulm (DE)

(73) Assignee: **Andreas Stihl AG & CO. KG**,
Waiblingen (DE)

(**) Term: **15 Years**

(21) Appl. No.: **29/690,051**

(22) Filed: **May 3, 2019**

(30) **Foreign Application Priority Data**

Nov. 8, 2018 (EM) 005820800

(51) **LOC (13) Cl.** **15-05**

(52) **U.S. Cl.**
USPC **D32/19**

(58) **Field of Classification Search**
USPC D32/1, 14, 15-16, 19, 25, 35, 40-43;
D8/62

CPC B08B 3/02; B24B 23/02
See application file for complete search history.

(56) **References Cited**

U.S. PATENT DOCUMENTS

- 3,172,415 A * 3/1965 Maushund E04H 4/16
134/93
- 3,932,281 A * 1/1976 Pansini E04H 4/1236
210/163
- D246,371 S * 11/1977 Pansini D32/25
- D252,640 S * 8/1979 Nederman D23/365
- D262,185 S * 12/1981 Huber D8/62
- D295,253 S * 4/1988 Ashworth D32/19
- 5,044,034 A * 9/1991 Iannucci E04H 4/1636
15/1.7
- D349,789 S * 8/1994 Bunyea D32/19
- 5,469,596 A * 11/1995 Rief E04H 4/1636
15/1.7

- D379,749 S * 6/1997 Gildersleeve D32/19
- 5,794,300 A * 8/1998 McCracken A47L 11/164
15/97.1
- 5,830,047 A * 11/1998 McCracken B25F 5/02
451/357
- D488,595 S * 4/2004 Sun D32/15
- D488,892 S * 4/2004 Hon D32/19
- 6,971,951 B2 * 12/2005 Boyer B24B 23/00
451/344
- D516,398 S * 3/2006 Janson D8/62

(Continued)

FOREIGN PATENT DOCUMENTS

EM 003330521-0001 * 11/2016

OTHER PUBLICATIONS

Hydroshot Surface Cleaning Attachment, WORX reviews 2021, site visited Sep. 9, 2021, www.worx.com/20v-makex-3pc-combo-rotary-air-brush-wood . . . *

Primary Examiner — John R Yeh
(74) *Attorney, Agent, or Firm* — McGuireWoods LLP

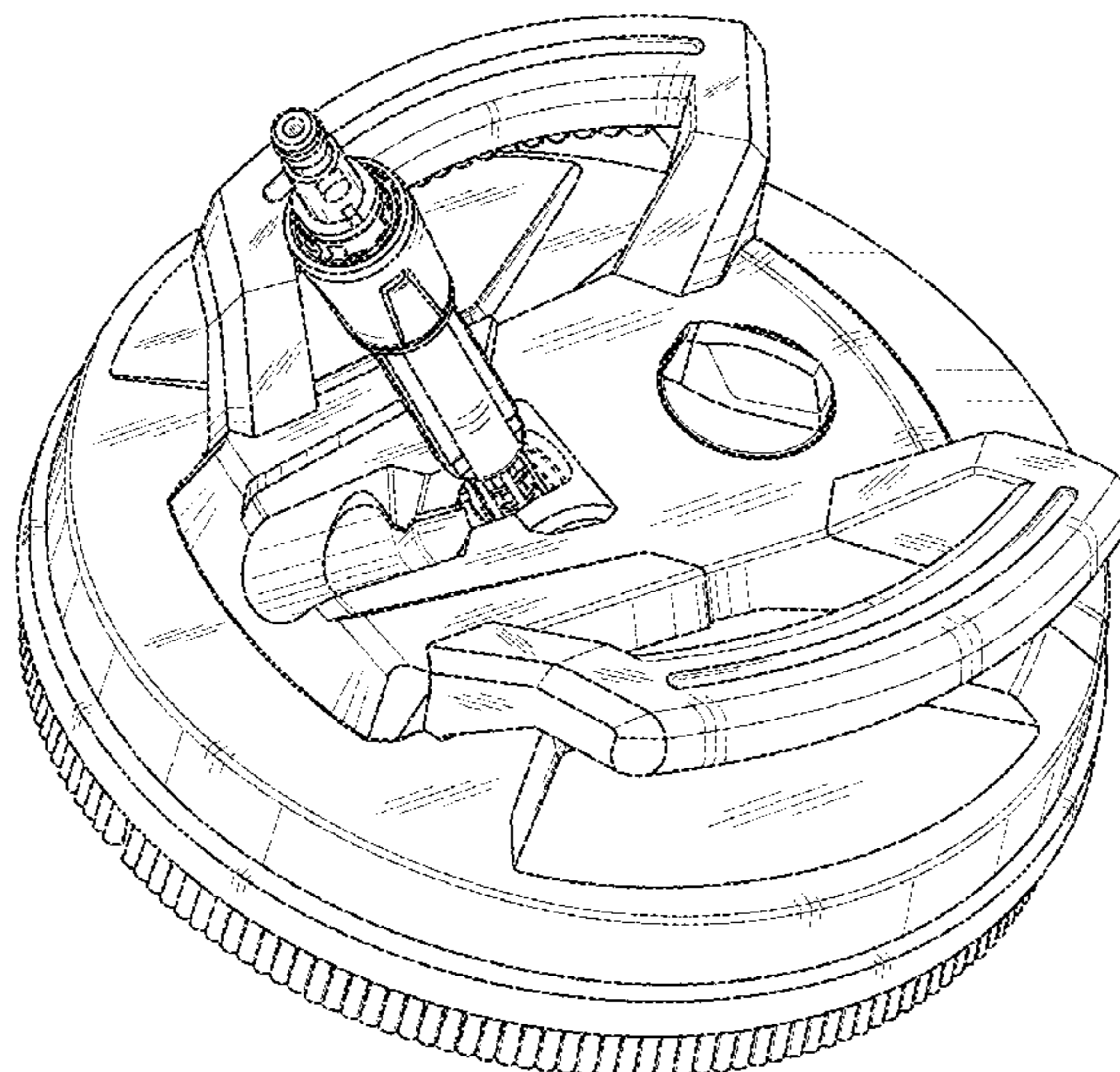
(57) **CLAIM**

I claim the ornamental design for a surface cleaner, as shown and described.

DESCRIPTION

FIG. 1 is a top view of my new design for a surface cleaner; FIG. 2 is a rear view thereof; FIG. 3 is a right, front perspective view thereof; FIG. 4 is a left, rear perspective view thereof; FIG. 5 is a left side view thereof; FIG. 6 is a right side view thereof; FIG. 7 is a bottom view thereof; and, FIG. 8 is front view thereof. The broken lines in the drawings depict portions of the surface cleaner that form no part of the claimed design.

1 Claim, 8 Drawing Sheets



(56)

References Cited

U.S. PATENT DOCUMENTS

D611,664 S * 3/2010 Sebor D32/15
D746,522 S * 12/2015 Erlich D32/15
D885,697 S * 5/2020 Brockman D32/14
2006/0254005 A1 * 11/2006 Phillipson E04H 4/1663
15/1.7
2014/0131474 A1 * 5/2014 Gansebom B08B 3/026
239/73

* cited by examiner

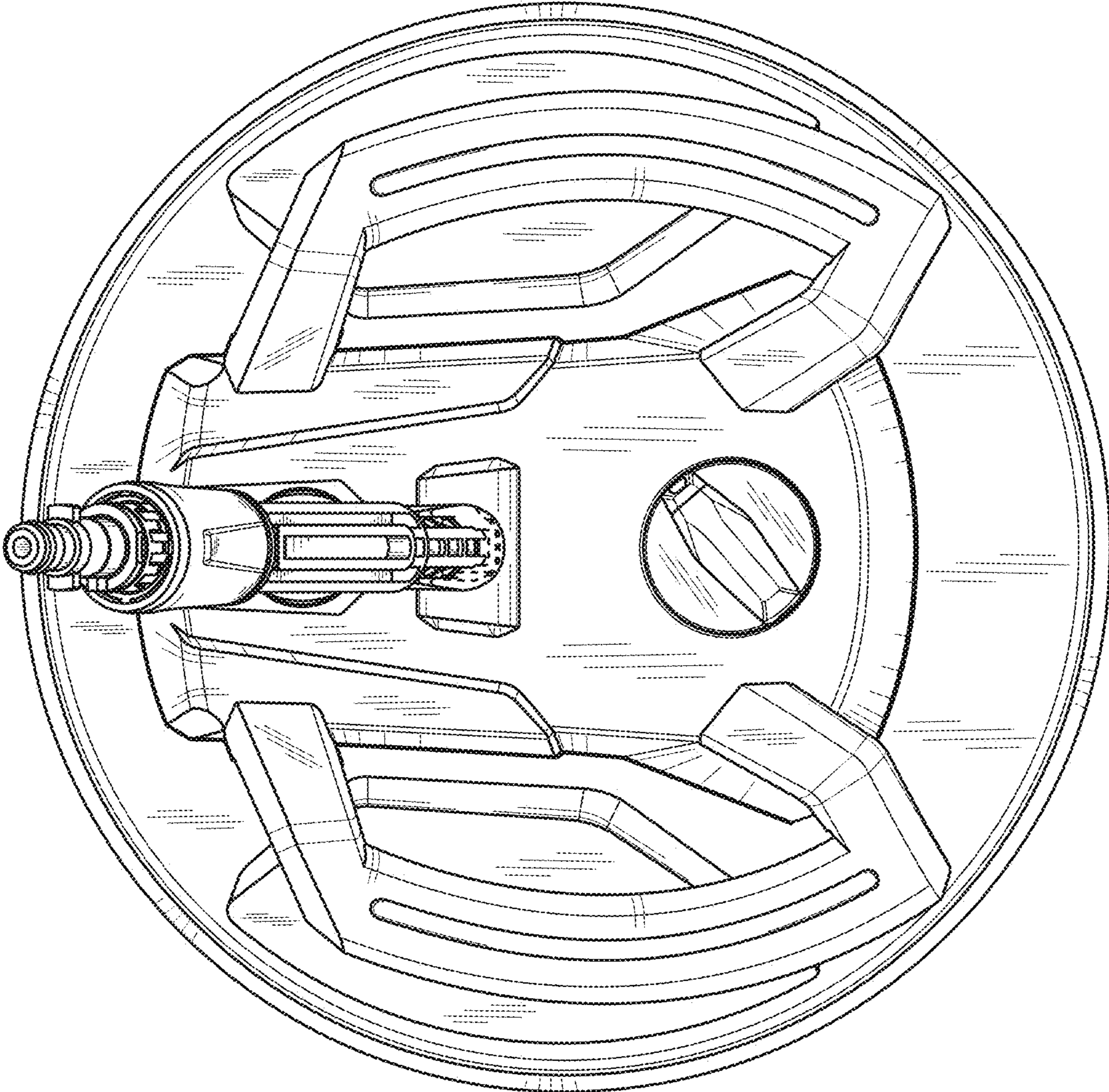


FIG. 1

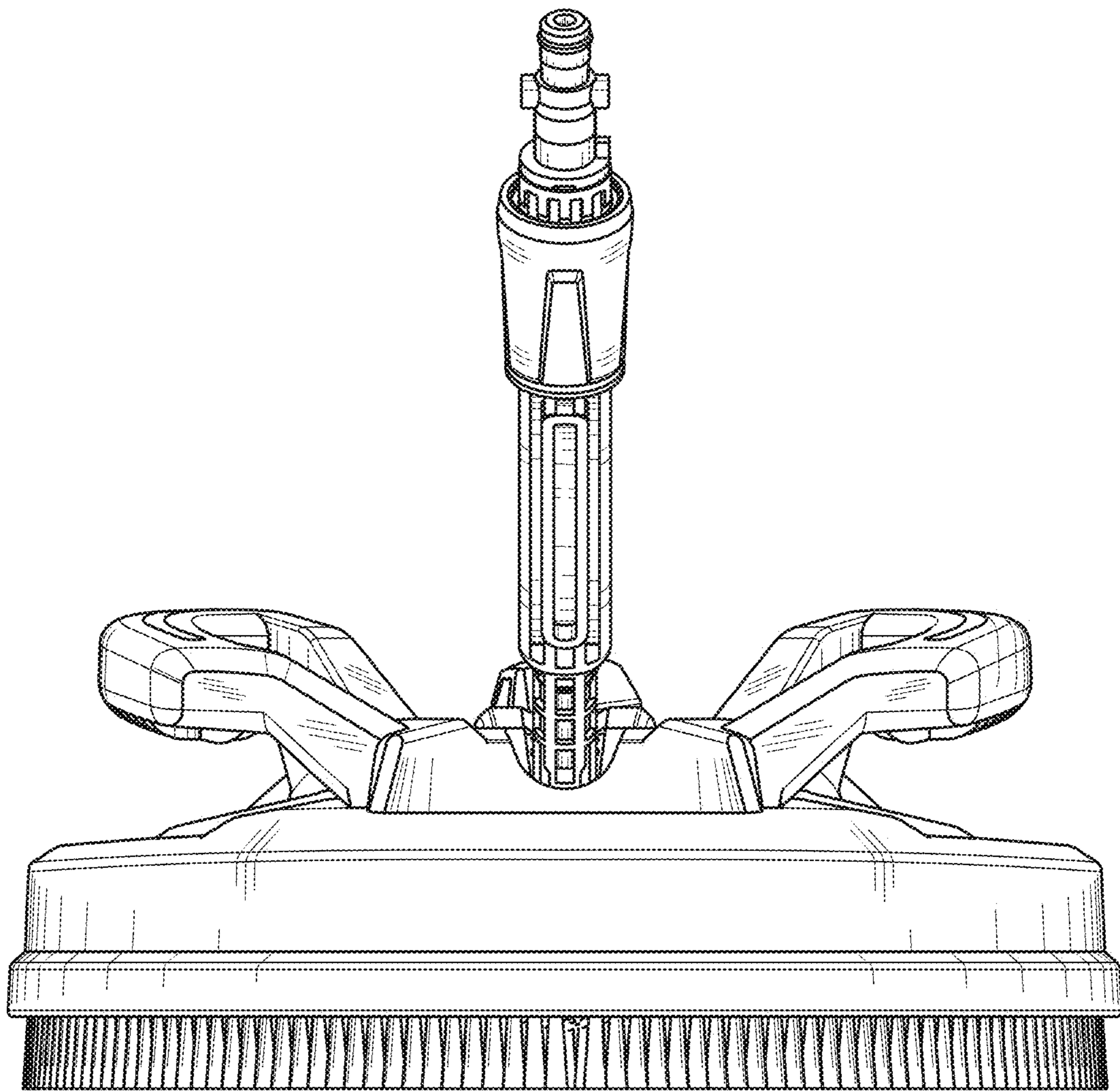


FIG. 2

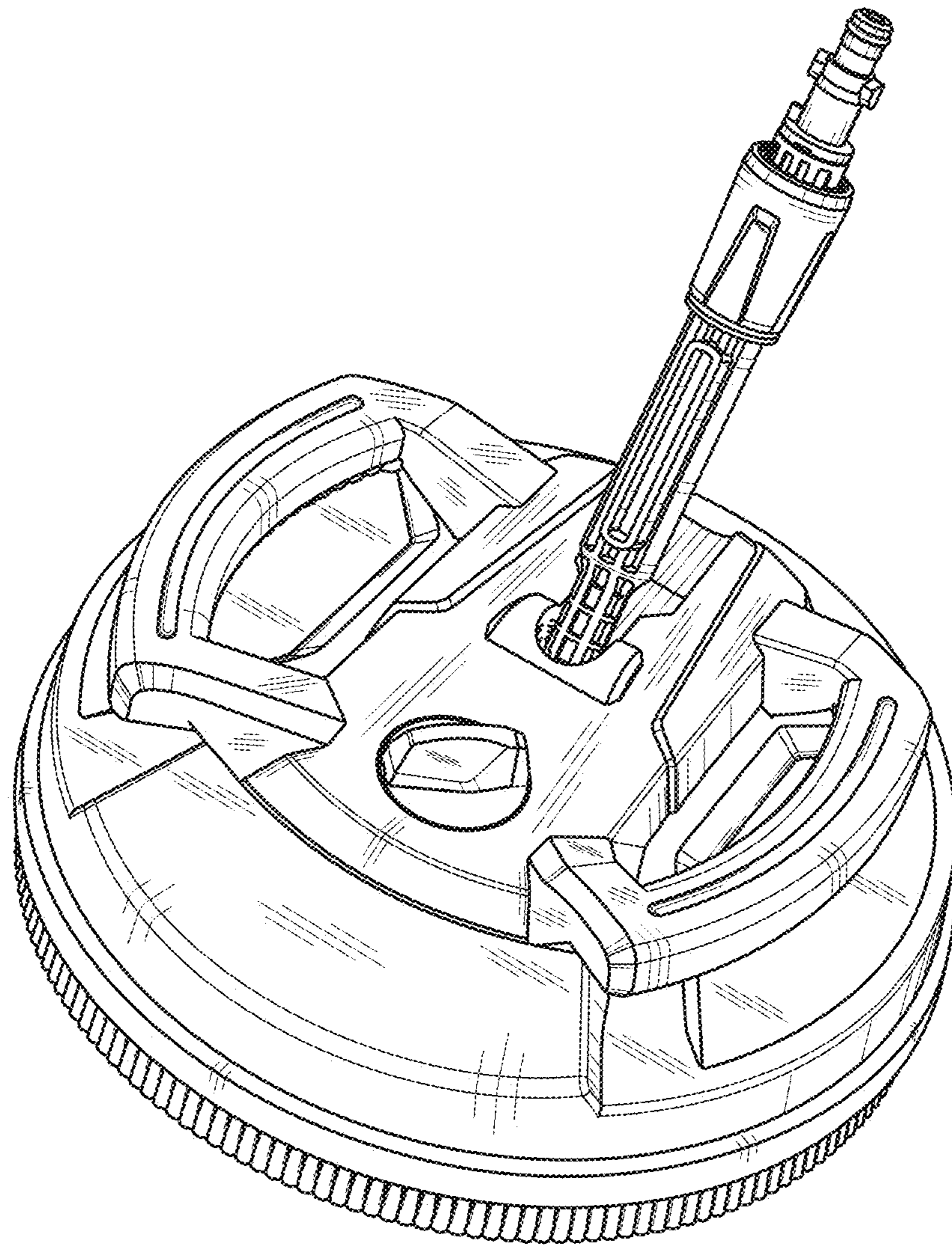


FIG. 3

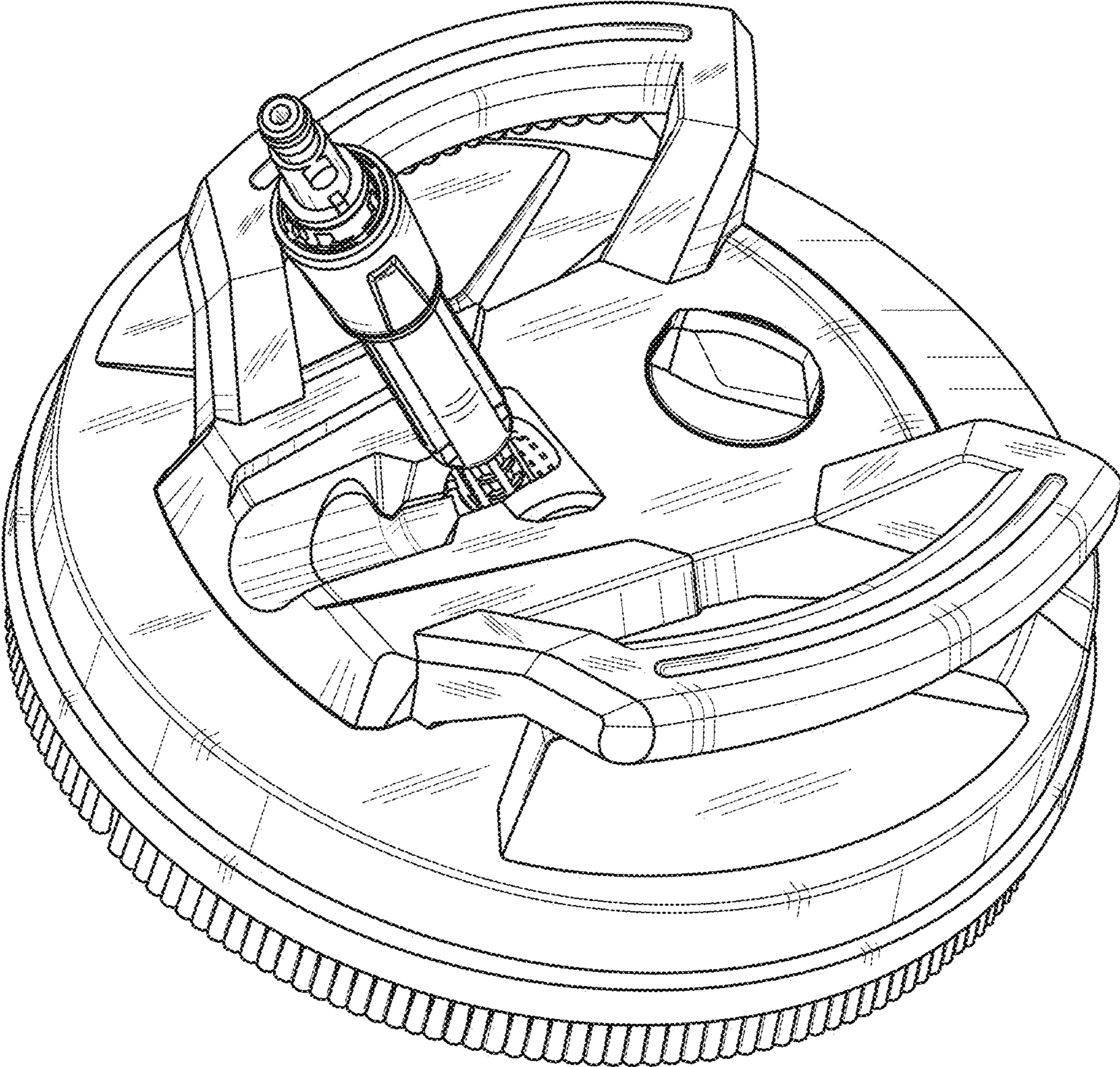


FIG. 4

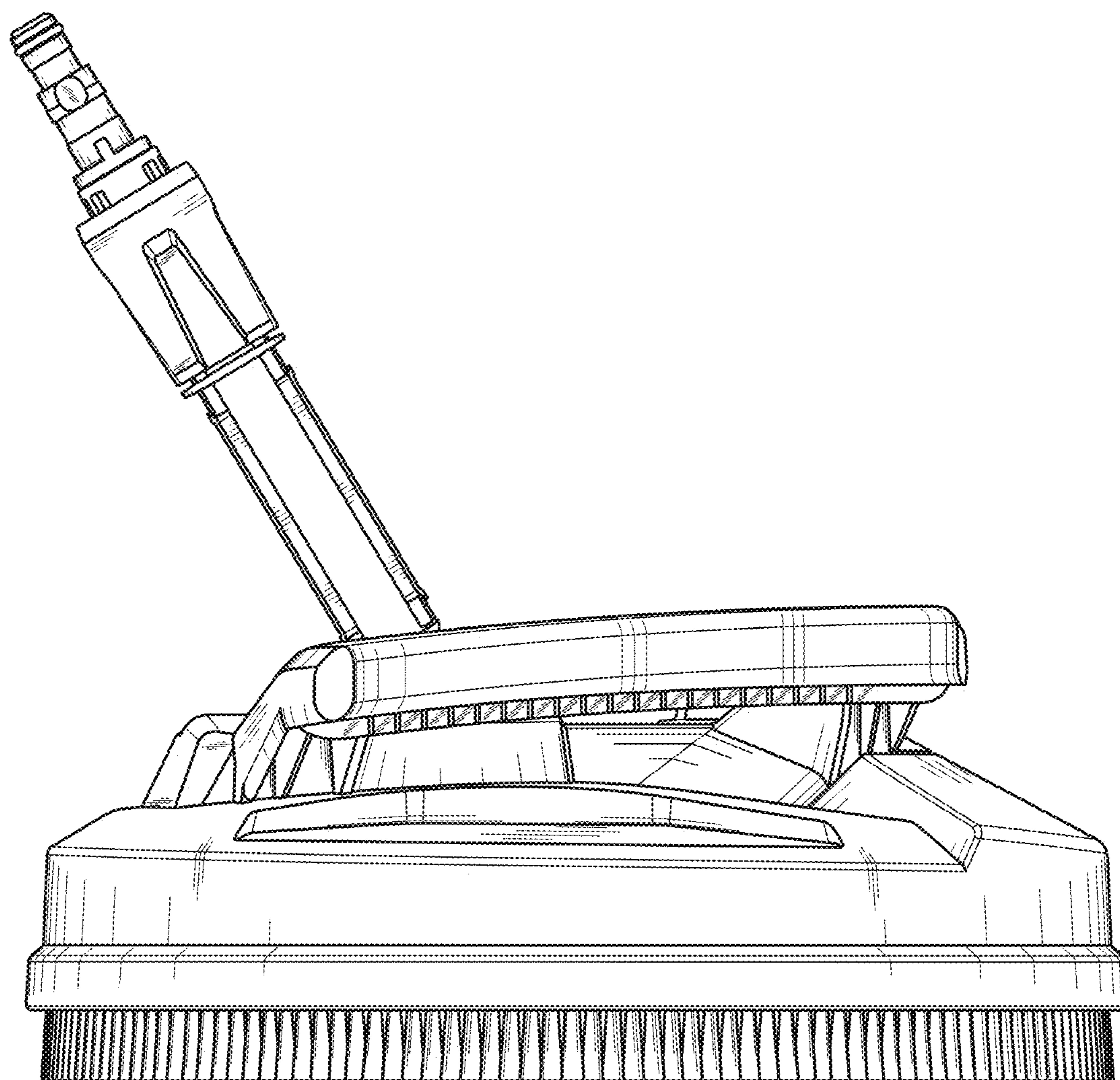


FIG. 5

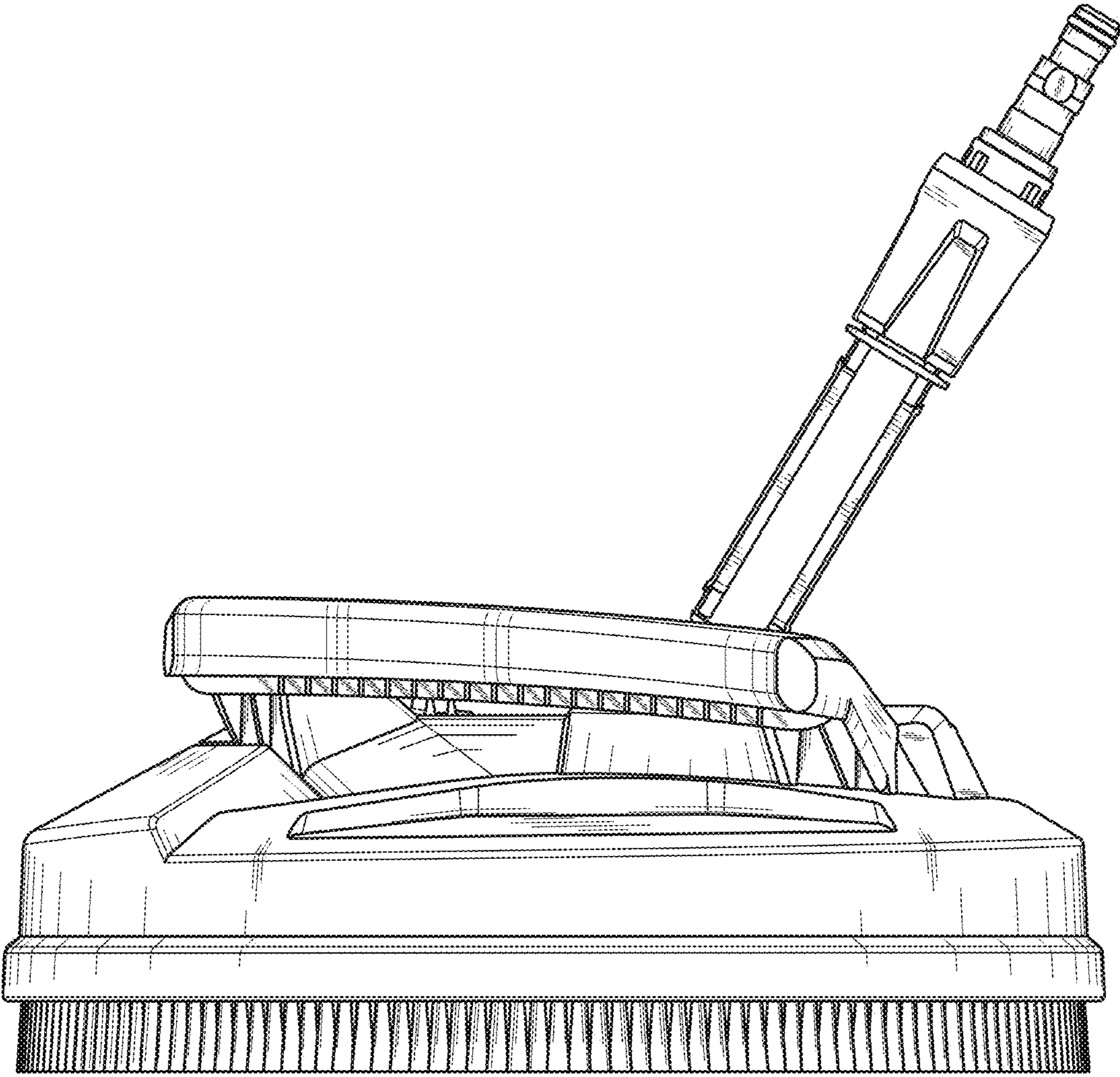


FIG. 6

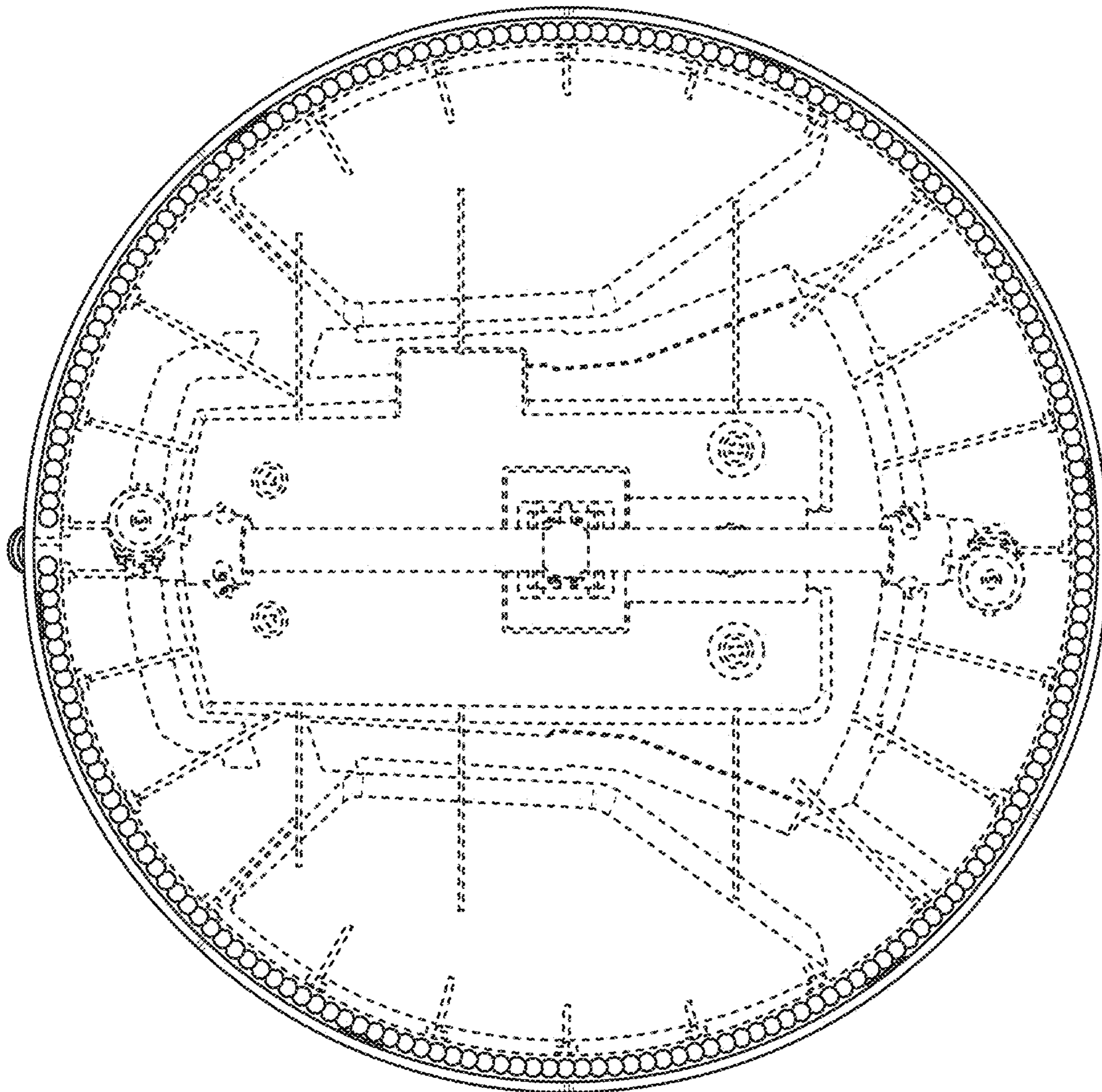


FIG. 7

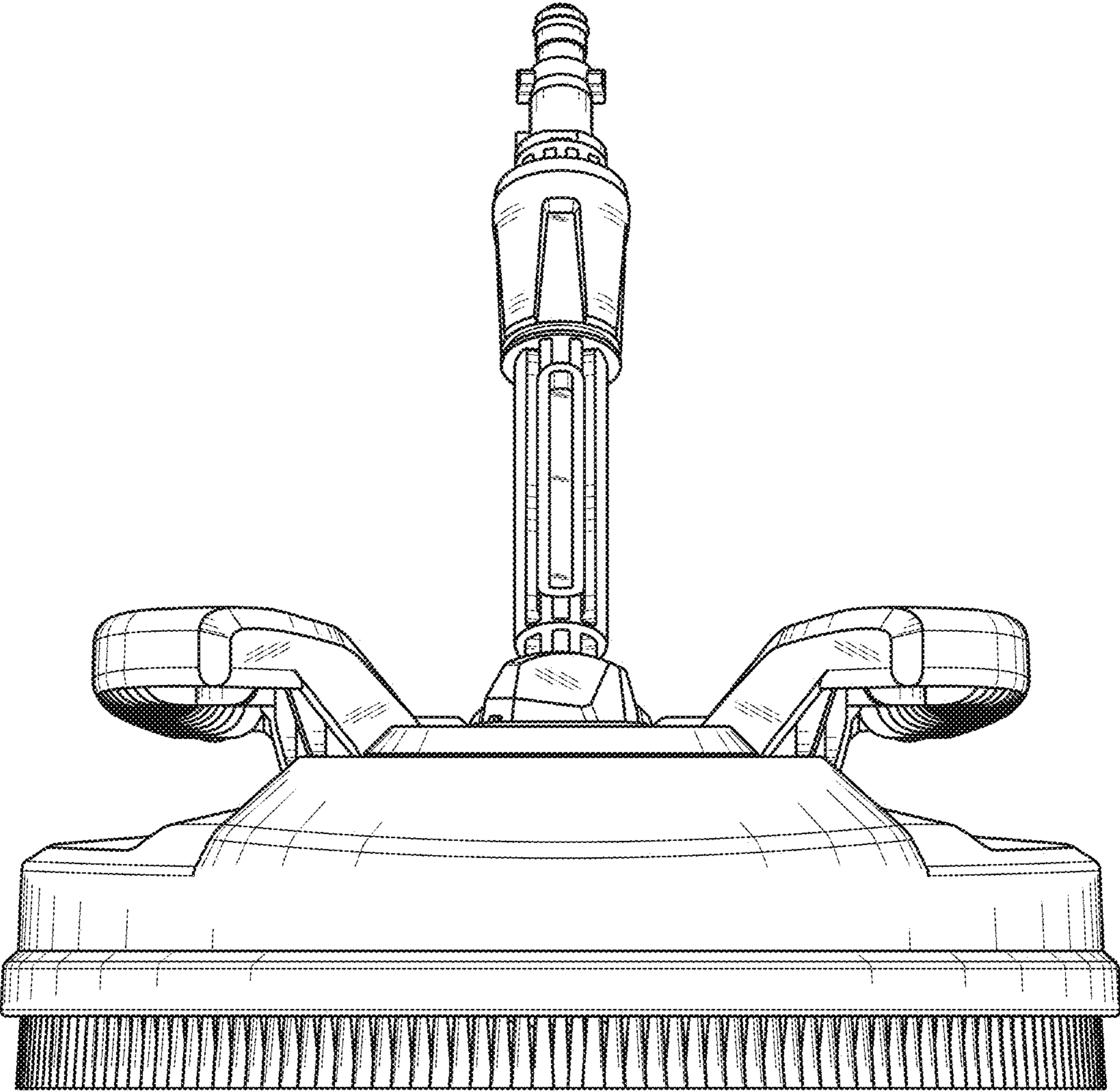


FIG. 8