



US00D954368S

(12) **United States Design Patent**  
**Park et al.**

(10) **Patent No.:** **US D954,368 S**  
(45) **Date of Patent:** **\*\* Jun. 7, 2022**

(54) **DRYING MACHINE**

(71) Applicant: **Samsung Electronics Co., Ltd.**,  
Suwon-si (KR)

(72) Inventors: **Jinsook Park**, Suwon-si (KR); **Jaejin Lee**, Suwon-si (KR); **Sodam Park**, Suwon-si (KR); **Sanghoon Yoon**, Suwon-si (KR); **Deoksang Yun**, Suwon-si (KR)

(73) Assignee: **Samsung Electronics Co., Ltd.**,  
Suwon-si (KR)

(\*\*) Term: **15 Years**

(21) Appl. No.: **29/750,889**

(22) Filed: **Sep. 17, 2020**

(30) **Foreign Application Priority Data**

Mar. 26, 2020 (KR) ..... 30-2020-0013566

(51) **LOC (13) Cl.** ..... **15-05**

(52) **U.S. Cl.**  
USPC ..... **D32/8**

(58) **Field of Classification Search**  
USPC ..... D32/1, 5, 6, 8, 10-13, 25, 28, 35;  
D21/526

CPC ..... D06F 25/00; D06F 29/00; D06F 33/00;  
D06F 34/08; D06F 35/00; D06F 37/24;  
D06F 37/304; D06F 39/00; D06F 39/001;  
D06F 41/00; D06F 49/00; D06F 95/00;  
D06F 1/00; D06F 1/02; G05B 2219/2633

See application file for complete search history.

(56) **References Cited**

**U.S. PATENT DOCUMENTS**

D46,365 S \* 9/1914 Horlick ..... D7/323  
D129,283 S \* 9/1941 Conterman ..... D32/5  
D152,921 S \* 3/1949 Shapter ..... D32/8

D170,350 S \* 9/1953 Bourner ..... D32/8  
D204,308 S \* 4/1966 Lindstrom et al. .... D32/6  
D292,630 S \* 11/1987 Nagai ..... D32/8  
D358,823 S \* 5/1995 Grant ..... D15/83  
D519,691 S \* 4/2006 Kim ..... D32/6

(Continued)

**FOREIGN PATENT DOCUMENTS**

CA 19236 \* 8/1953  
CN 302054538 \* 8/2012

(Continued)

**OTHER PUBLICATIONS**

8 Best Clothes Dryers of 2022, available in website.com, announced Dec. 2, 2021 [online], [site visited Mar. 10, 2022], Internet URL: <https://www.goodhousekeeping.com/appliances/dryer-reviews/g3298/best-laundry-dryers/> (Year: 2021).\*

(Continued)

*Primary Examiner* — Amy C Wierenga

*Assistant Examiner* — Jennylou M Binias

(74) *Attorney, Agent, or Firm* — NSIP Law

(57) **CLAIM**

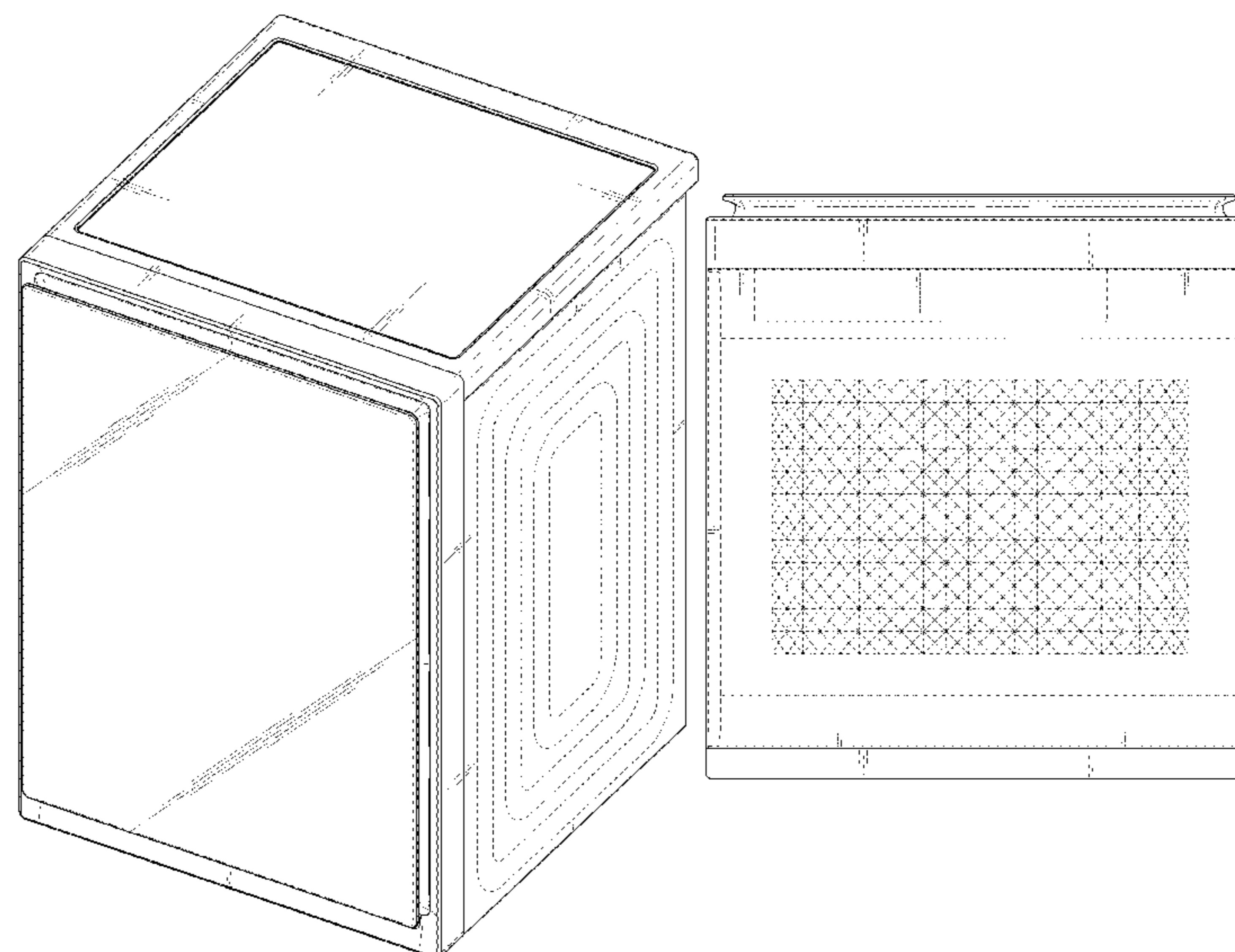
We claim the ornamental design for a drying machine, as shown and described.

**DESCRIPTION**

FIG. 1 is a front perspective view of a drying machine showing our new design;  
FIG. 2 is a front view thereof;  
FIG. 3 is a rear view thereof;  
FIG. 4 is a left-side view thereof;  
FIG. 5 is a right-side view thereof;  
FIG. 6 is a top view thereof; and,  
FIG. 7 is a bottom view thereof.

The broken lines in the figures depict portions of the drying machine which form no part of the claimed design.

**1 Claim, 7 Drawing Sheets**



(56)

References Cited

U.S. PATENT DOCUMENTS

D548,900	S	*	8/2007	Ritterling	.....	D32/6
D551,402	S	*	9/2007	Jung	.....	D32/8
D557,466	S	*	12/2007	Suh	.....	D32/6
D571,510	S	*	6/2008	Cadamuro	.....	D32/6
D571,511	S	*	6/2008	Cadamuro	.....	D32/8
D583,114	S	*	12/2008	Jeon	.....	D32/8
D589,216	S	*	3/2009	Park	.....	D32/6
D617,960	S	*	6/2010	Bohm	.....	D32/6
D628,755	S	*	12/2010	Helot	.....	D32/5
D764,120	S	*	8/2016	Choi	.....	D32/6
D836,268	S	*	12/2018	Ha	.....	D32/6
D839,506	S	*	1/2019	Ha	.....	D32/6
D871,689	S	*	12/2019	Lee	.....	D32/6
D871,690	S	*	12/2019	Lee	.....	D32/6
D909,694	S	*	2/2021	Ayers	.....	D32/6
2018/0291551	A1	*	10/2018	Lv	.....	D06F 34/28
2020/0375019	A1	*	11/2020	Kwon	.....	H05K 5/0213
2020/0399819	A1	*	12/2020	Lee	.....	D06F 58/04

FOREIGN PATENT DOCUMENTS

CN	2015301511230		1/2016
CN	304408156	*	12/2017
CN	2018300787834		6/2018
CN	2018301983127		1/2019
CN	2018304973729		4/2019
CN	2018304975438		4/2019
CN	2019304709951		2/2020
CN	306249486	*	12/2020
GB	8209920000-1000	*	8/2020
HK	2118786-0001	*	12/2021
KR	30-2008-0052386		6/2009
KR	30-2016-0032296		2/2019
KR	30-2018-0015515		2/2019
KR	301098809.0000	*	3/2021

OTHER PUBLICATIONS

Clothes Dryer Buying Guide, announced in YouTube on May 16, 2016 [online], [site visited Mar. 10, 2022], Available from the internet URL: Clothes Dryer Buying Guide | The Good Guys (Year: 2016).\*

GE Appliances White Electric Dryer, available in americanfreight.com, customer review oldest date Sep. 29, 2015 [online], [site visited Mar. 10, 2022], Available from the internet URL: <https://www.americanfreight.com/br/pdp/ge-appliances-dskp333ecww-3-6-cu-ft-white-electric-dryer/10457> (Year: 2015).\*

Kenmore Front Load Electric Dryer with Steam Technology, available in Amazon.com, date first available Jul. 13, 2020 [online], [site visited Mar. 10, 2022], Available from the internet URL: [https://www.amazon.com/Kenmore-61652-Cubic-Electric-Technology/dp/B08CVN9SF4/ref=sr\\_1\\_8](https://www.amazon.com/Kenmore-61652-Cubic-Electric-Technology/dp/B08CVN9SF4/ref=sr_1_8) (Year: 2020).\*

Samsung Electric Dryer with Sensor Dry, available in bestbuy.com, customer review oldest date Apr. 2021 [online], [site visited Mar. 10, 2022], Available from the internet URL: <https://www.bestbuy.com/site/samsung-7-2-cu-ft-electric-dryer-with-sensor-dry-and-8-drying-cycles-white/6447516.p?skuId=6447516> (Year: 2021).\*

Whirlpool Compact Stackable Top Load Dryer, available in lowes.com, customer review oldest date Oct. 16, 2011 [online], [site visited Mar. 10, 2022], Available from the internet URL: <https://www.lowes.com/pd/Whirlpool-3-4-cu-ft-Stackable-Portable-Electric-Dryer-White/3236620> (Year: 2011).\*

Kim, Taewoo. "DRAWER—Mini refrigerator" [2017] www.behance.net Sep. 23, 2017 <[https://www.behance.net/gallery/56365353/DRAWER-Mini-refrigerator?tracking\\_source=search%7Cconcept%20refrigerator](https://www.behance.net/gallery/56365353/DRAWER-Mini-refrigerator?tracking_source=search%7Cconcept%20refrigerator)>.

Wan, et al. "A-Refrigerator" [2018] www.behance.net Jul. 31, 2018 <[https://www.behance.net/gallery/68516661/A-Refrigerator?tracking\\_source=search%7Crefrigerator](https://www.behance.net/gallery/68516661/A-Refrigerator?tracking_source=search%7Crefrigerator)>.

\* cited by examiner

FIG. 1

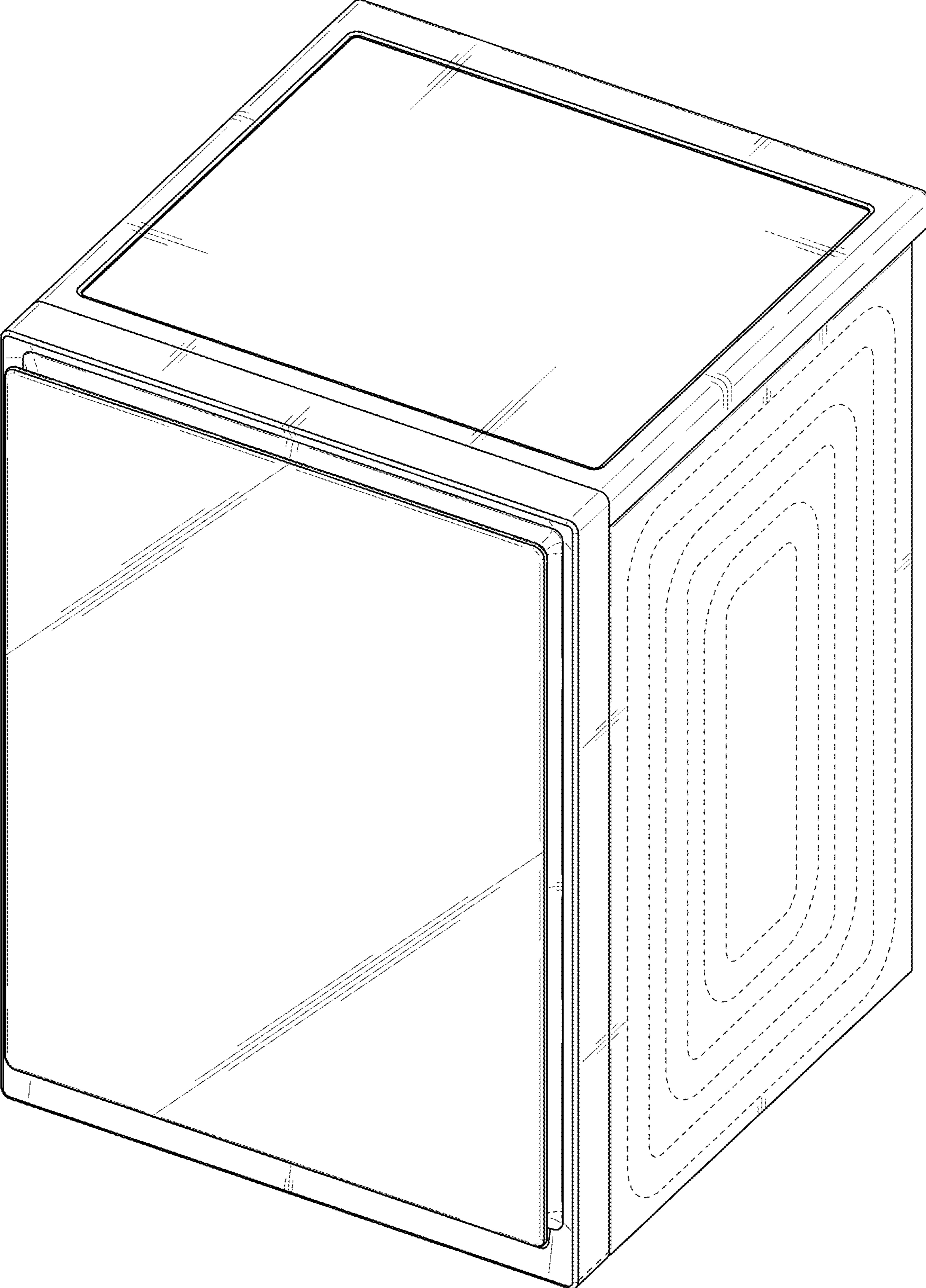


FIG. 2

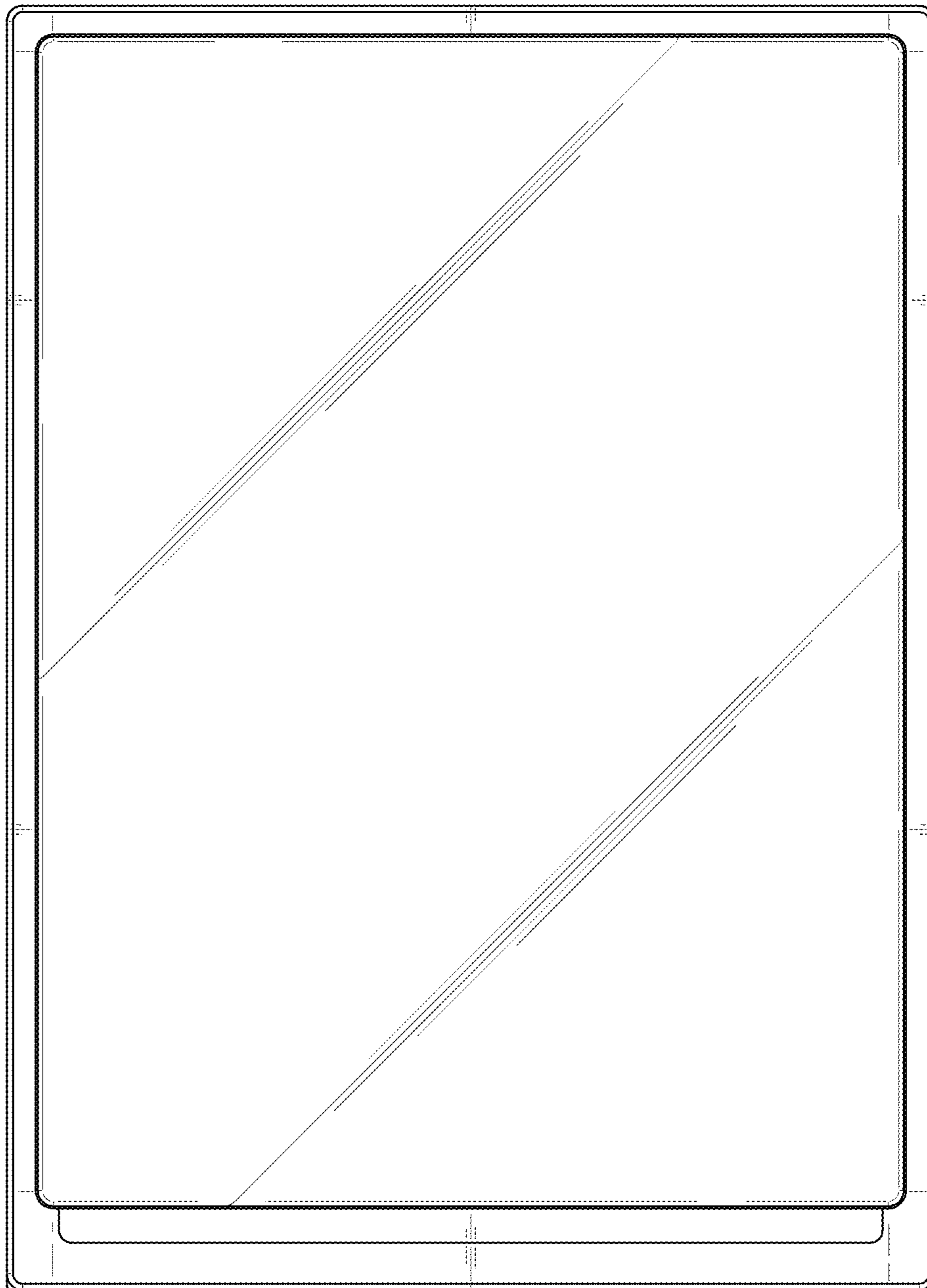


FIG. 3

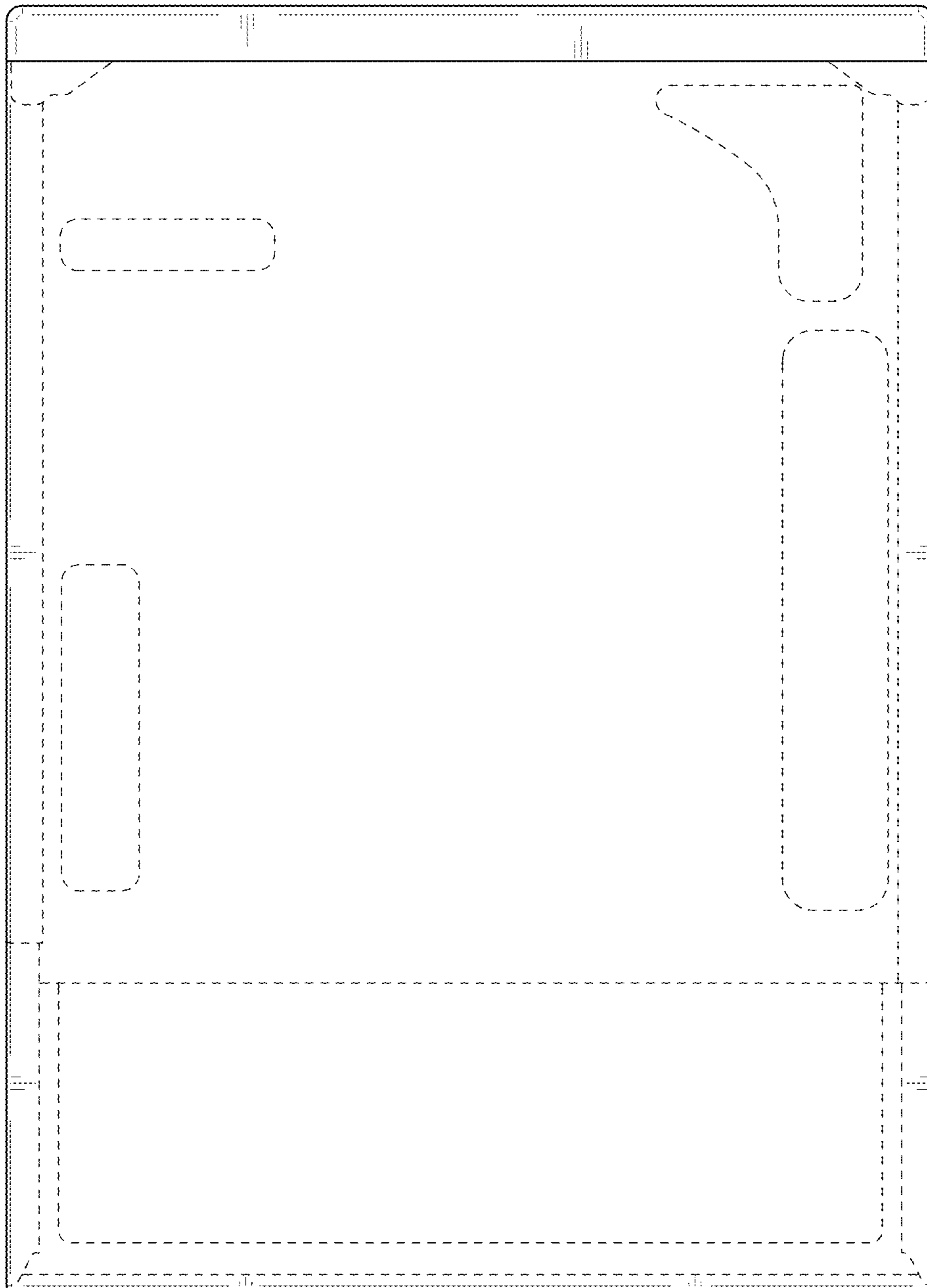


FIG. 4

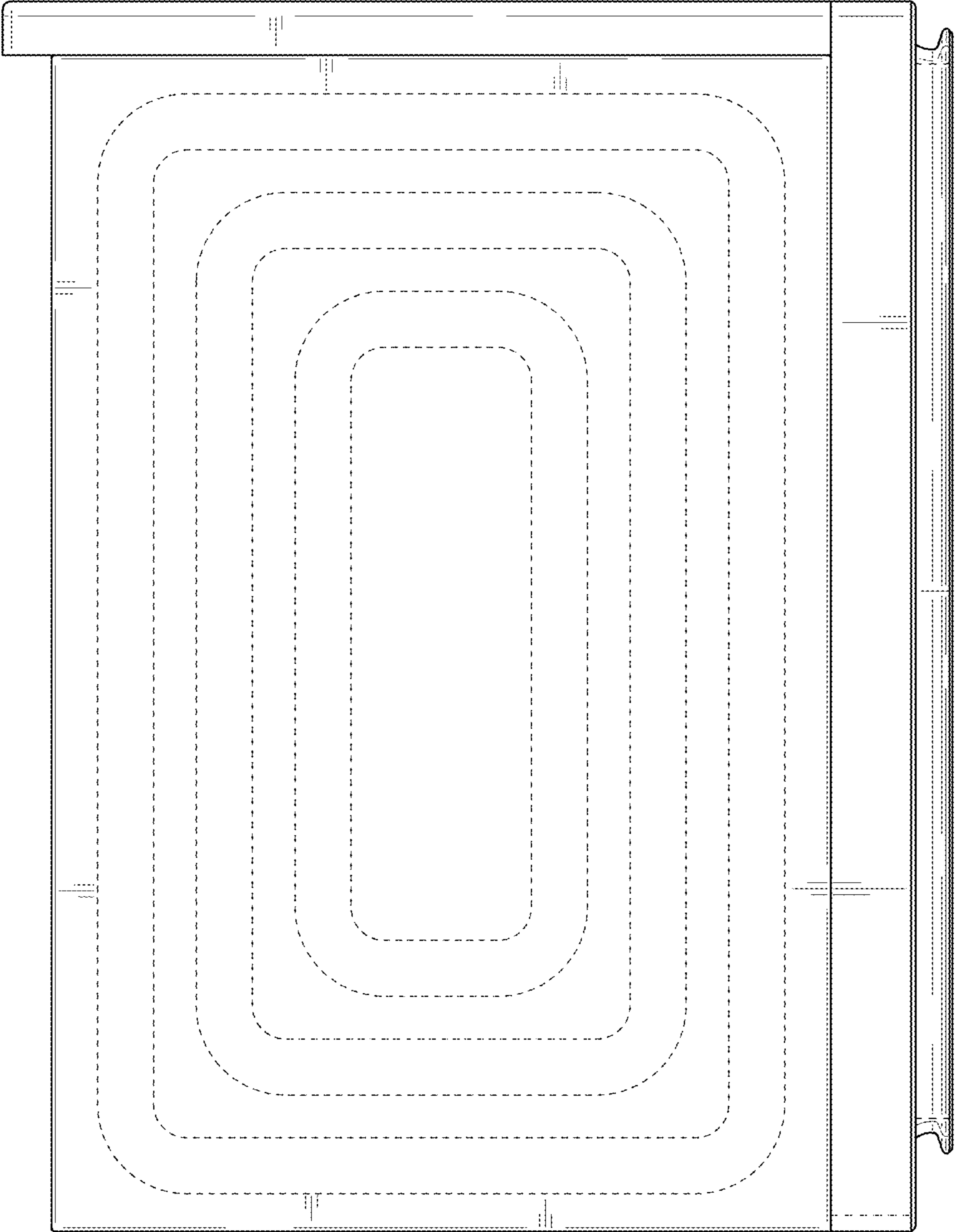


FIG. 5

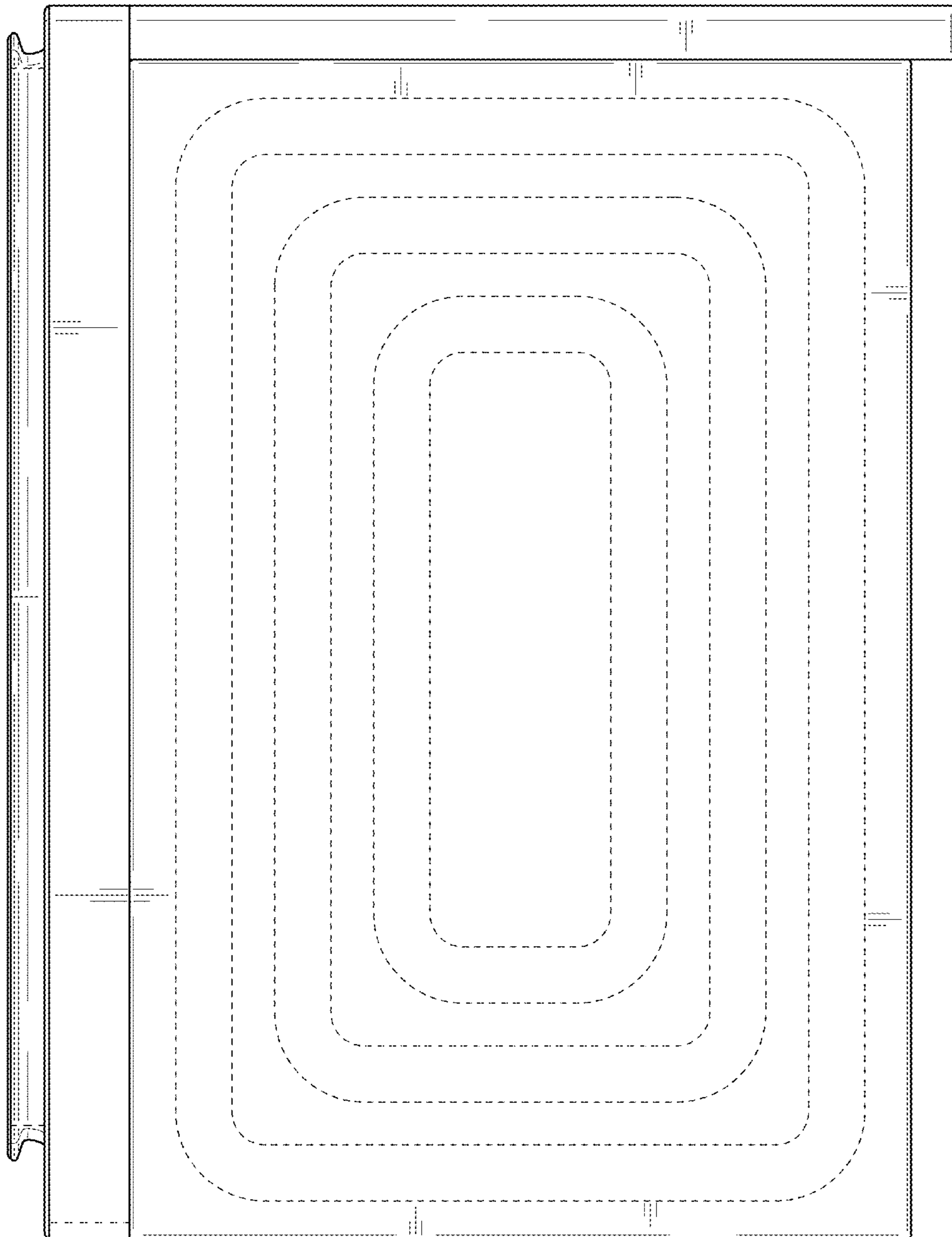


FIG. 6

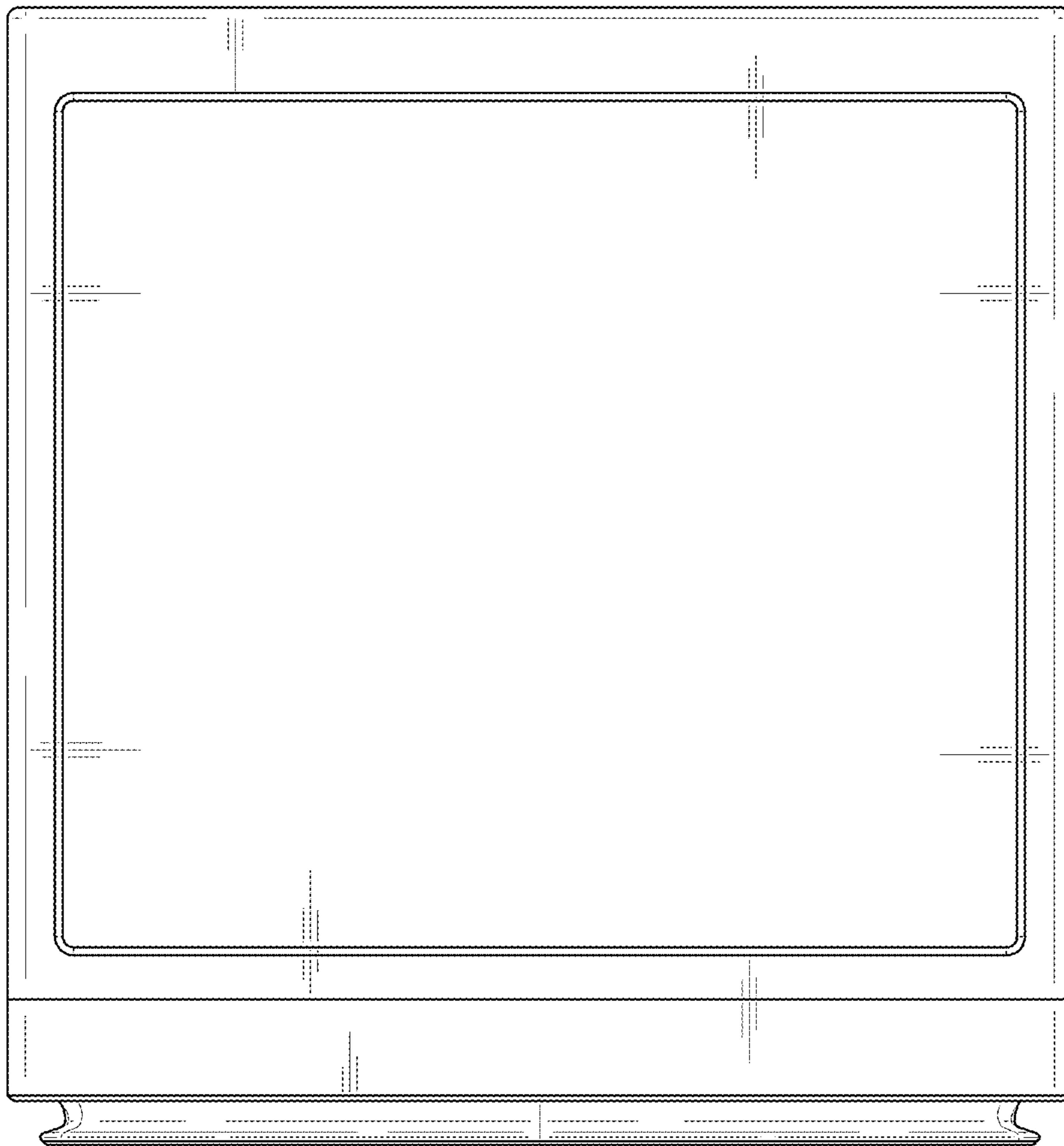




FIG. 7

