



US00D954366S

(12) **United States Design Patent**
Son et al.

(10) **Patent No.:** **US D954,366 S**
(45) **Date of Patent:** **** Jun. 7, 2022**

(54) **ELECTRONIC WASHING AND DRYING
MACHINE FOR LAUNDRY PURPOSE**

(71) Applicant: **LG ELECTRONICS INC.**, Seoul
(KR)

(72) Inventors: **Nerry Son**, Seoul (KR); **Sojin Park**,
Seoul (KR); **Junghwan Lee**, Seoul
(KR); **Eunyoung Chee**, Seoul (KR);
Hyewon Kim, Seoul (KR)

(73) Assignee: **LG ELECTRONICS INC.**, Seoul
(KR)

(**) Term: **15 Years**

(21) Appl. No.: **29/728,773**

(22) Filed: **Mar. 20, 2020**

(30) **Foreign Application Priority Data**

Sep. 20, 2019 (KR) 30-2019-0045291

(51) **LOC (13) Cl.** **15-05**

(52) **U.S. Cl.**
USPC **D32/5**

(58) **Field of Classification Search**
USPC D21/526; D32/5, 6, 8, 11, 14.1, 25
CPC D06F 39/083; D06F 29/005; D06F 39/12;
D06F 39/125; D06F 58/26; D06F 34/34;
D06F 58/02; D06F 23/02; D06F 95/00;
D06F 25/00
See application file for complete search history.

(56) **References Cited**

U.S. PATENT DOCUMENTS

D298,873 S * 12/1988 Erickson D32/5
D458,316 S * 6/2002 Bao D21/526
D517,254 S * 3/2006 Geyer D32/5
D531,765 S * 11/2006 Schoene D32/8

D544,157 S * 6/2007 Crookshanks D32/25
D589,216 S * 3/2009 Park D32/6
D640,020 S * 6/2011 Helot D32/5
D739,095 S * 9/2015 Shu D32/6
D743,128 S * 11/2015 Chung D32/25
D743,130 S * 11/2015 Choi D32/25
D743,652 S * 11/2015 Chung D32/25
D743,653 S * 11/2015 Chung D32/25
D743,654 S * 11/2015 Chung D32/25
9,416,475 B2 * 8/2016 Kulkarni D06F 25/00
D769,553 S * 10/2016 Lee D32/6
D770,698 S * 11/2016 Lee D32/6
D776,374 S * 1/2017 Lee D32/11
D780,386 S * 2/2017 Lee D32/6
D781,004 S * 3/2017 Lee D32/6
D806,329 S * 12/2017 Carlehed D32/6
D816,925 S * 5/2018 Bixby D32/6

(Continued)

Primary Examiner — Michelle E. Wilson

Assistant Examiner — Richard E Yenchesky

(74) *Attorney, Agent, or Firm* — Birch, Stewart, Kolasch
& Birch, LLP

(57) **CLAIM**

The ornamental design for an electronic washing and drying machine for laundry purpose, as shown and described.

DESCRIPTION

FIG. 1 is a front perspective view of the electronic washing and drying machine for laundry purpose showing our new design;

FIG. 2 is a front view thereof;

FIG. 3 is a rear view thereof;

FIG. 4 is a left side view thereof;

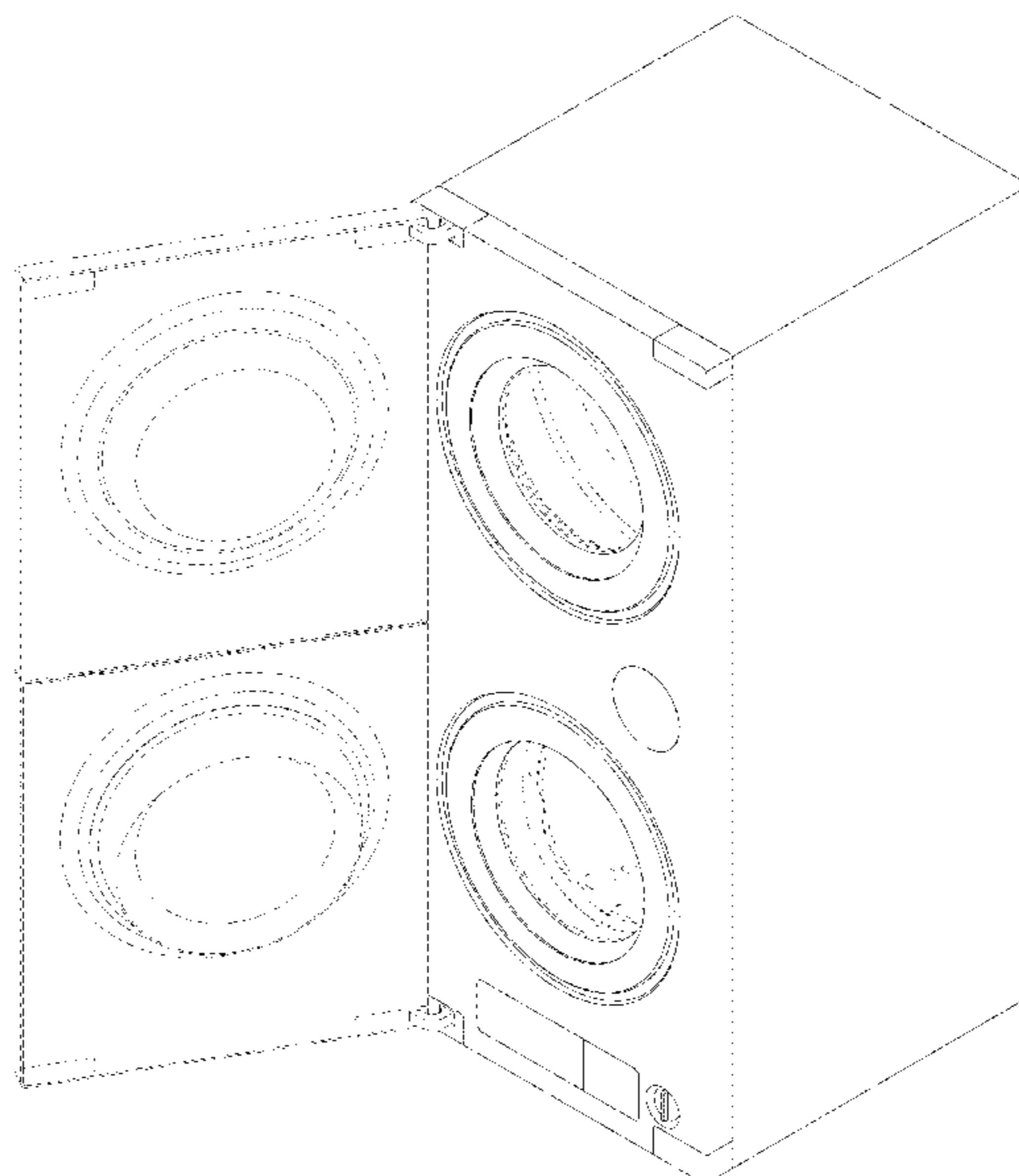
FIG. 5 is a right side view thereof;

FIG. 6 is a top plan view thereof; and,

FIG. 7 is a bottom plan view thereof.

The broken lines depict portions of the electronic washing and drying machine for laundry purpose that form no part of the claimed design.

1 Claim, 7 Drawing Sheets



(56)

References Cited

U.S. PATENT DOCUMENTS

D836,267 S * 12/2018 Ha D32/6
 D836,269 S * 12/2018 Ha D32/6
 D836,860 S * 12/2018 Ha D32/6
 D851,844 S * 6/2019 Kong D32/5
 D853,062 S * 7/2019 Yoo D32/25
 D908,987 S * 1/2021 Yoon D32/6
 D916,402 S * 4/2021 Yoon D32/6
 D918,498 S * 5/2021 Park D32/6
 D922,701 S * 6/2021 Kim D32/14.1
 D935,115 S * 11/2021 Kim D32/6
 2007/0169519 A1 * 7/2007 Hershey D06F 95/00
 68/3 R
 2021/0254251 A1 * 8/2021 Jung D06F 39/083
 2021/0254265 A1 * 8/2021 Cho D06F 29/005
 2021/0262137 A1 * 8/2021 Park D06F 39/12
 2021/0262138 A1 * 8/2021 Kwon D06F 29/005
 2021/0262147 A1 * 8/2021 Kwon D06F 39/12
 2021/0269957 A1 * 9/2021 Jin D06F 39/125
 2021/0277559 A1 * 9/2021 Kwon D06F 58/26
 2021/0277567 A1 * 9/2021 Jung D06F 34/34
 2021/0277568 A1 * 9/2021 Jung D06F 58/02
 2021/0277580 A1 * 9/2021 Jung D06F 23/02
 2021/0277581 A1 * 9/2021 Cho D06F 39/125

* cited by examiner

FIG. 1

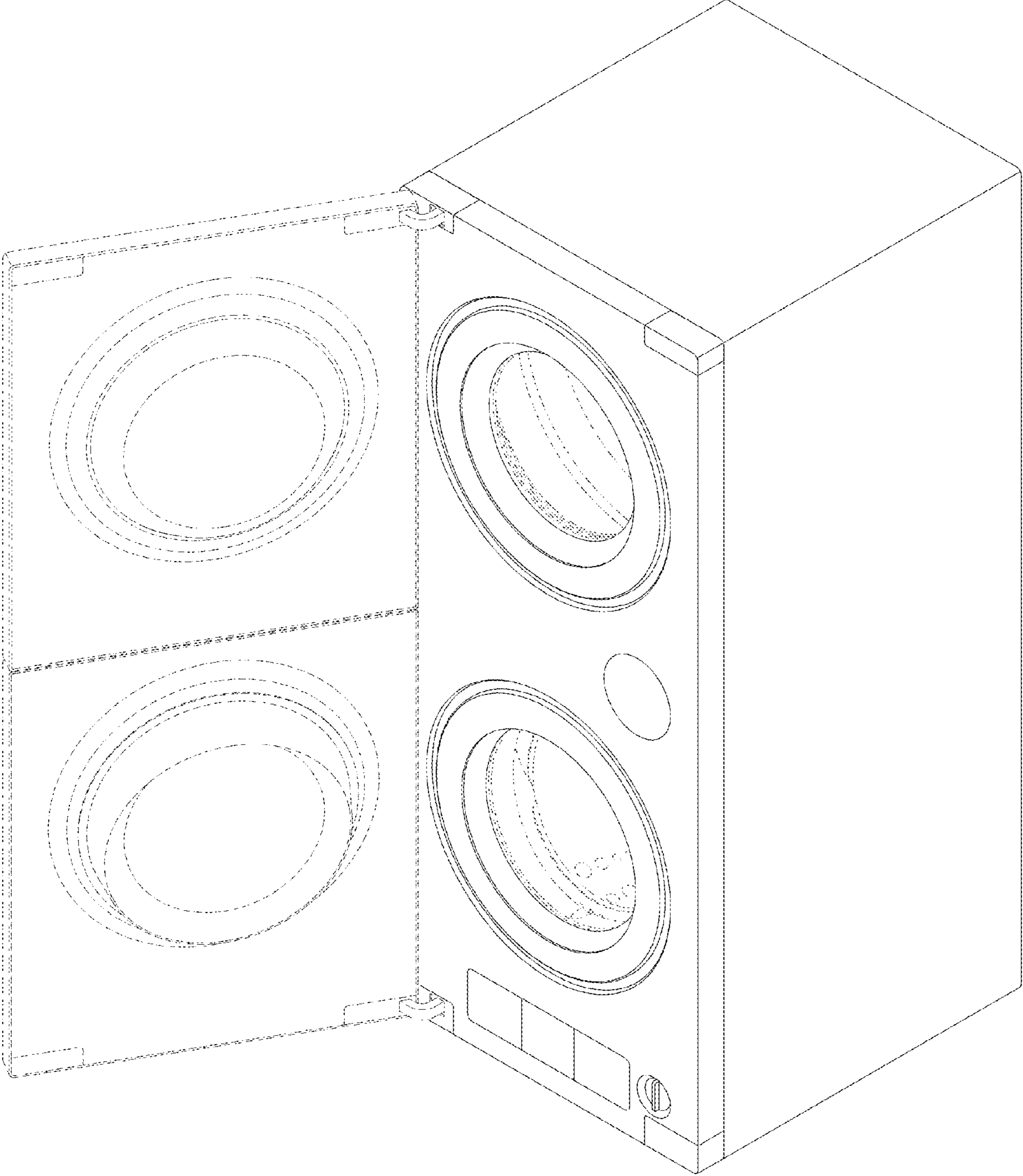


FIG. 2

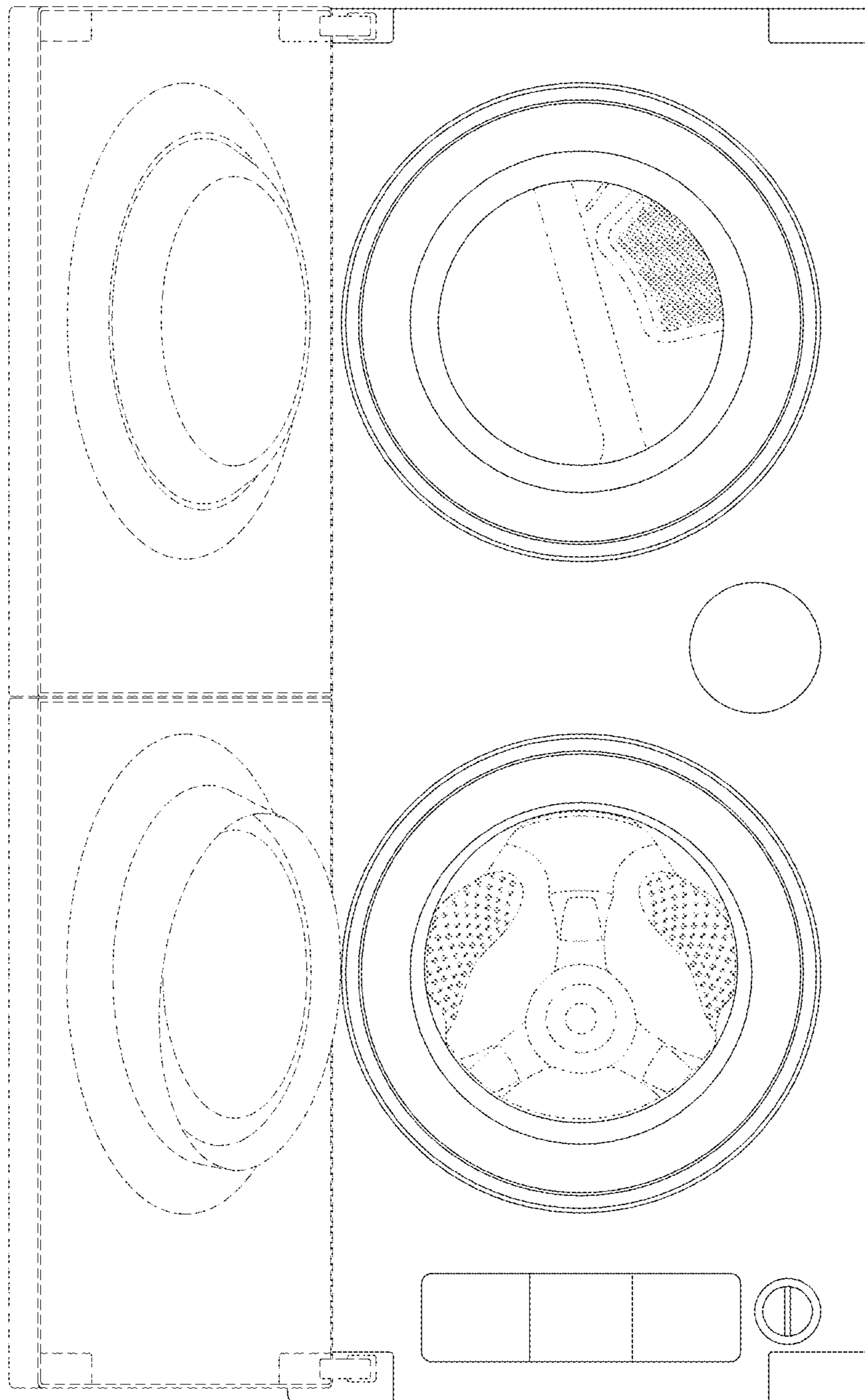


FIG. 3

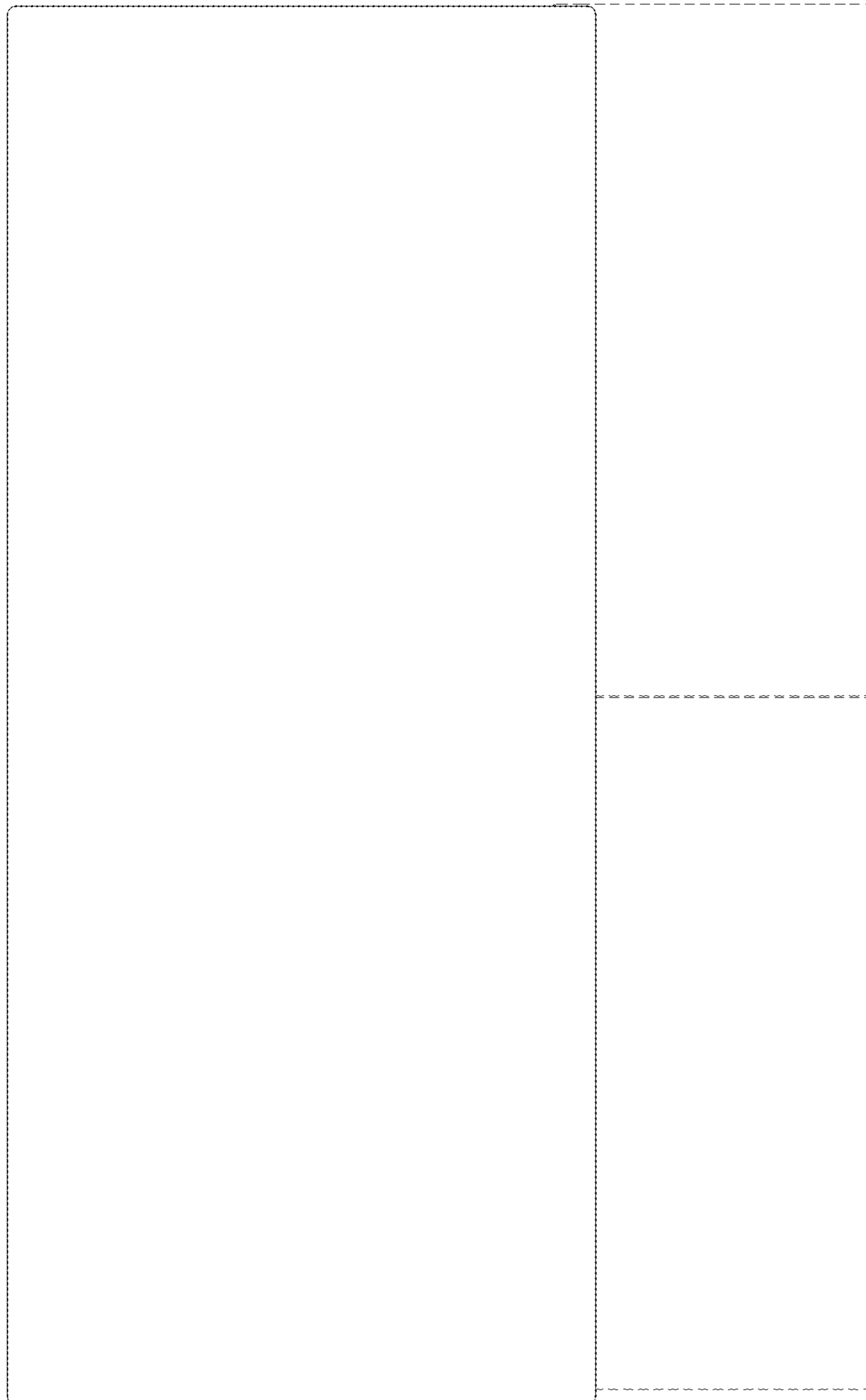


FIG. 4

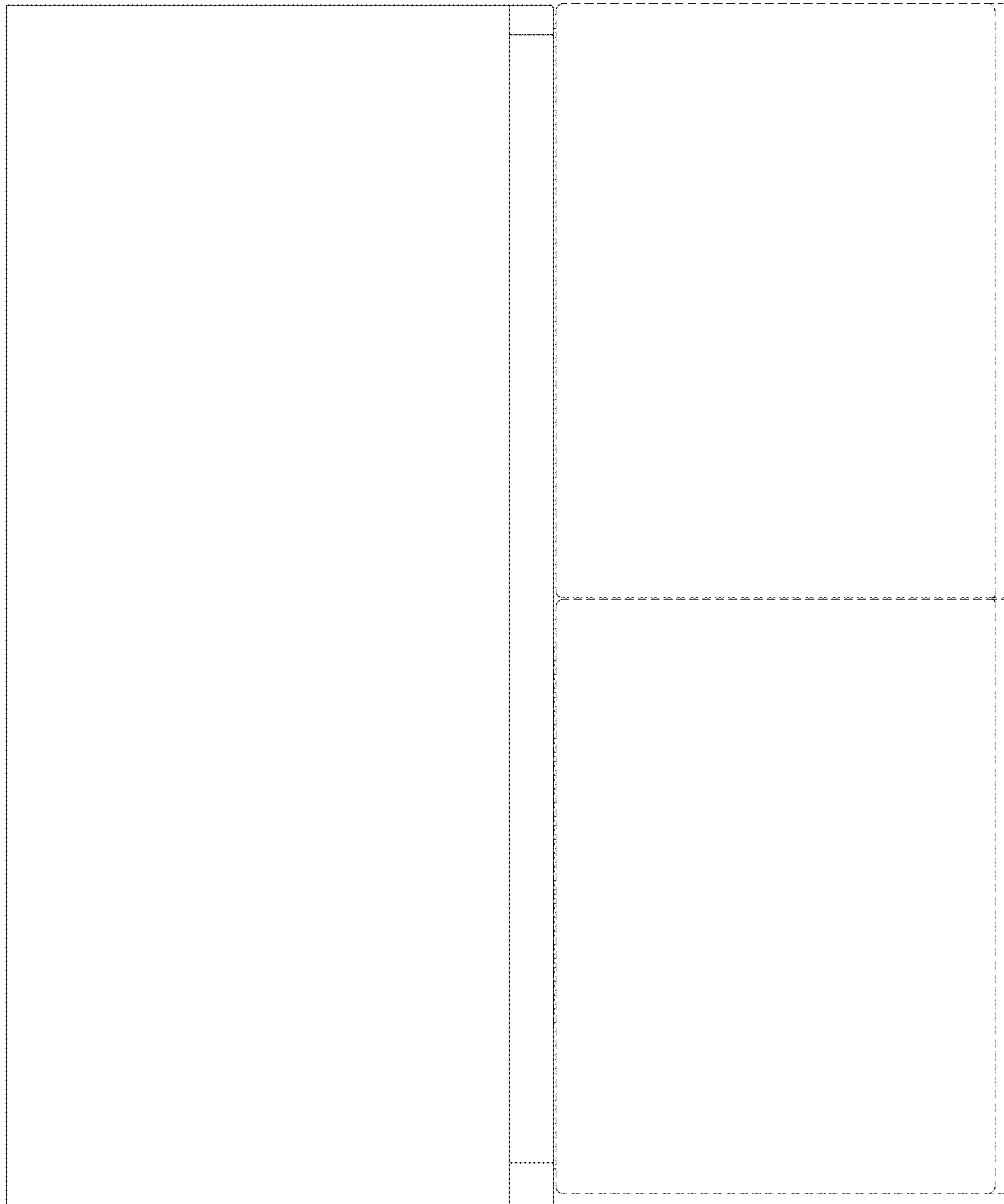


FIG. 5

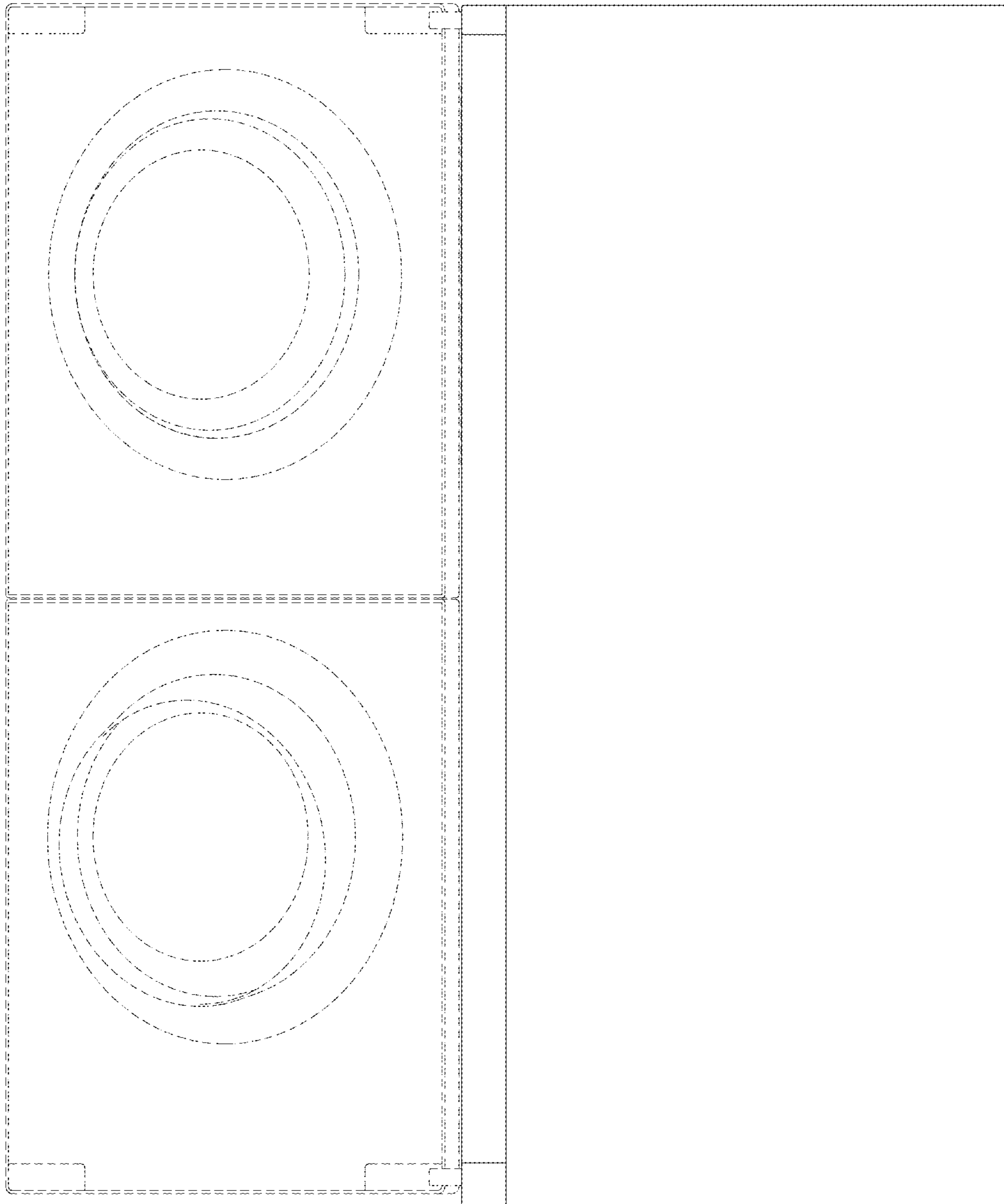


FIG. 6

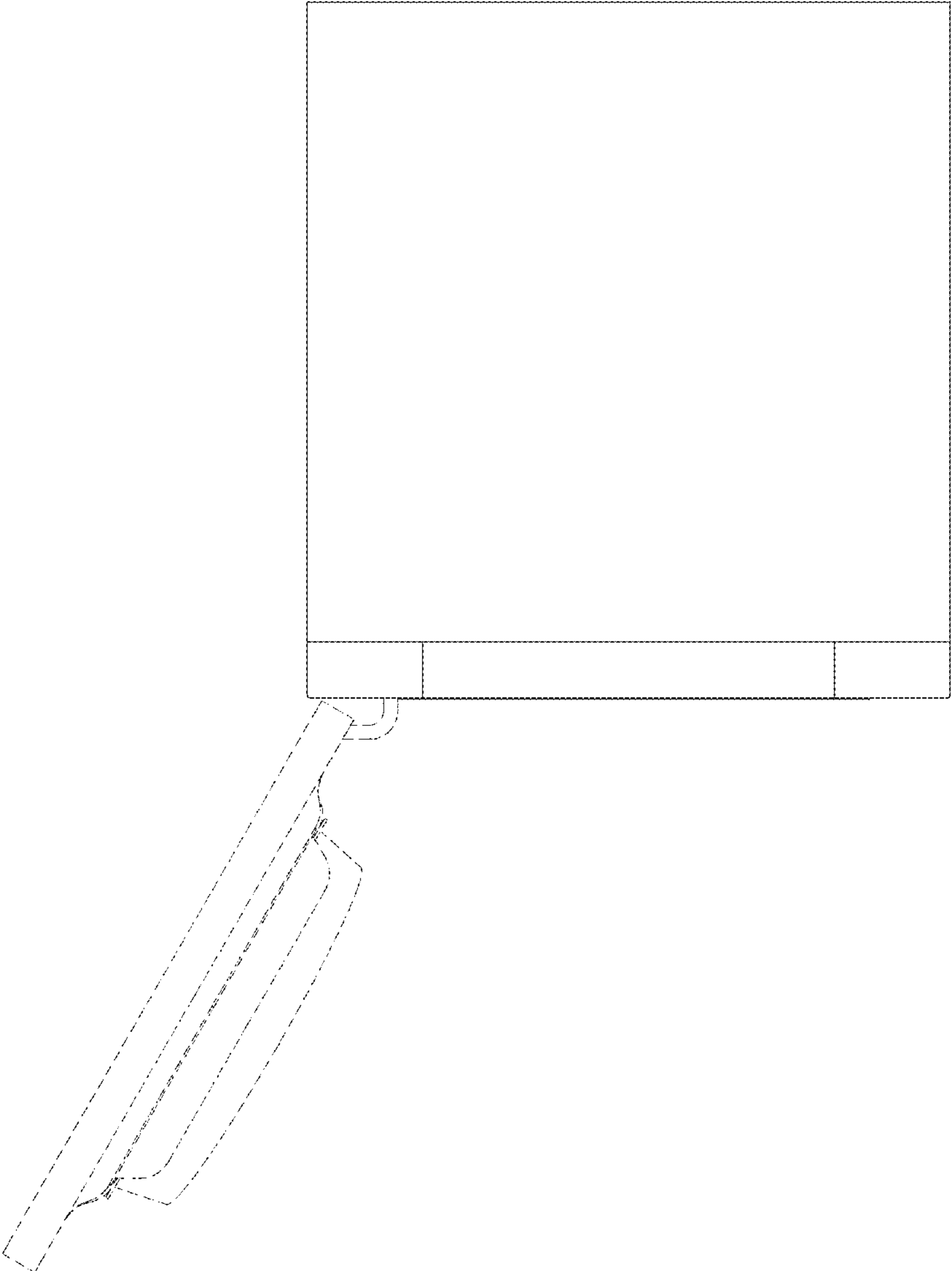


FIG. 7

