



US00D954360S

(12) **United States Design Patent** (10) **Patent No.:** **US D954,360 S**  
**Hu** (45) **Date of Patent:** **\*\* Jun. 7, 2022**

(54) **PET NAIL GRINDER BIT**  
(71) Applicant: **Renwu Hu**, Xianning (CN)  
(72) Inventor: **Renwu Hu**, Xianning (CN)  
(\*\*) Term: **15 Years**  
(21) Appl. No.: **29/779,751**  
(22) Filed: **Apr. 21, 2021**  
(51) **LOC (13) Cl.** ..... **30-99**  
(52) **U.S. Cl.**  
USPC ..... **D30/158; D8/70**  
(58) **Field of Classification Search**  
USPC ..... D30/158, 160, 199; 119/600, 608, 609,  
119/610, 611, 620; D8/70, 62, 86  
CPC .. A01K 13/00; A01K 13/002; A01K 13/0002;  
A45D 29/02; A45D 24/007; A45D 29/04;  
A45D 29/05  
See application file for complete search history.

(56) **References Cited**

**U.S. PATENT DOCUMENTS**

D256,503 S \* 8/1980 Moustakas ..... D24/212  
D457,046 S \* 5/2002 Boyle ..... D8/70  
D627,807 S \* 11/2010 Tosti ..... D15/139  
D689,155 S \* 9/2013 Jahns ..... D21/692  
D760,451 S \* 6/2016 Harvey ..... D30/160  
D779,732 S \* 2/2017 Nguyen ..... D28/59  
D852,016 S \* 6/2019 Yoo ..... D15/126  
D856,771 S \* 8/2019 Yoo ..... D15/126  
D876,730 S 2/2020 He  
D895,210 S \* 9/2020 Wu ..... D28/59  
D910,937 S 2/2021 Wei  
D934,318 S \* 10/2021 Mills ..... D15/139  
D945,073 S \* 3/2022 Lu ..... D30/158  
2020/0236904 A1 \* 7/2020 Yoo ..... A01K 13/00

**OTHER PUBLICATIONS**

“OVATAVO Diamond Rotary Nail Grinder Bits” available Dec. 24, 2020, [online], [site visited Mar. 4, 2022]. Retrieved from Internet,

URL:https://www.amazon.com/OVATAVO-Diamond-Rotary-Nail-Grinder/dp/B08R939LPM?th=1 (Year: 2020).\*  
“PLATGO Diamond Dremel Dog Nail Grinder Attachment” available Jan. 21, 2022, [online], [site visited Mar. 4, 2022]. Retrieved from Internet, URL:https://www.amazon.com/PLATGO-Diamond-Grinder-Attachment-Sanding/dp/B09PNVT4HH/ref=pd\_lpo\_3?pd\_rd\_i=B09PNVT4HH&th=1 (Year: 2022).\*  
“Groomers Best Friend Diamond Rotary Nail Grinder” available Aug. 18, 2018, [online], [site visited Mar. 4, 2022]. Retrieved from Internet, URL: https://www.amazon.com/Diamondg-Rotary-Nail-Grinder-Large/dp/B07H3CQJL6/ref=pd\_lpo\_2?pd\_rd\_i=B07GM1WMMT&th=1 (Year: 2018).\*

\* cited by examiner

*Primary Examiner* — W. A. Teddy Falloway  
*Assistant Examiner* — Katrina N Gonzalez

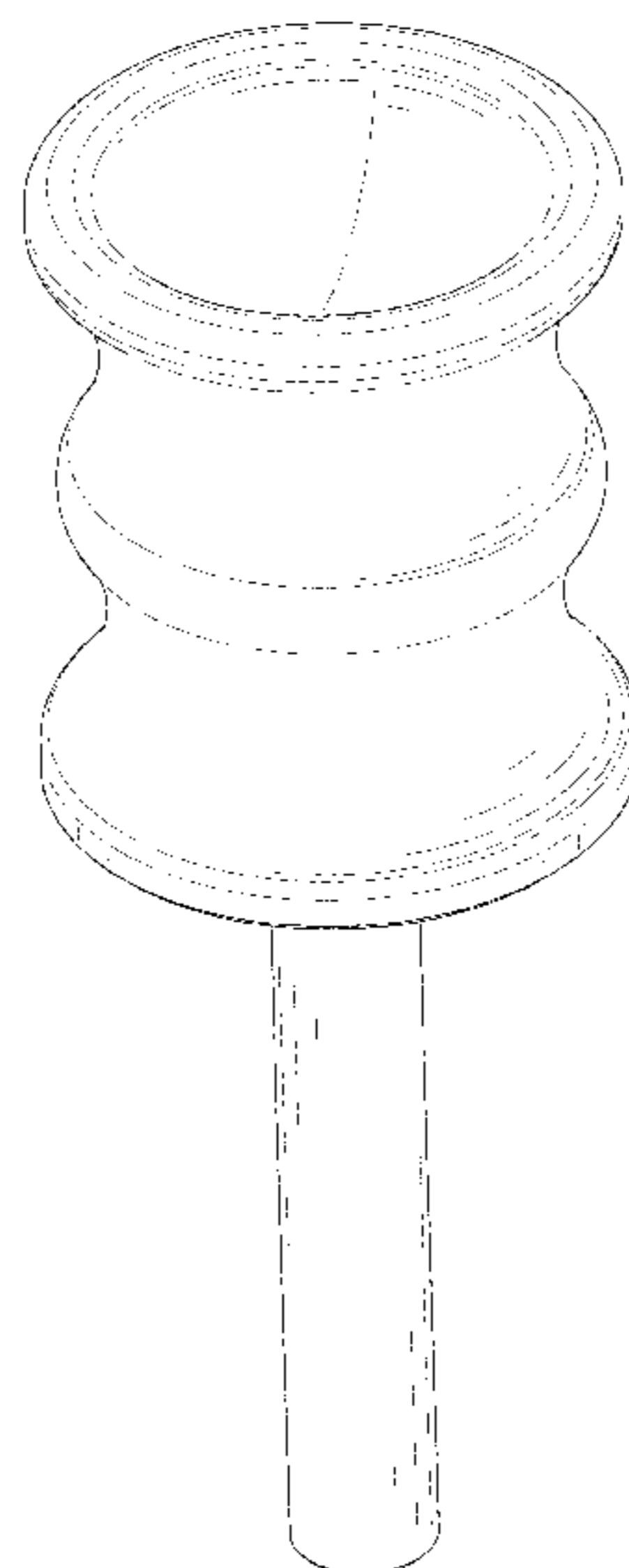
(57) **CLAIM**

The ornamental design for a pet nail grinder bit, as shown and described.

**DESCRIPTION**

FIG. 1 is a perspective view of a pet nail grinder bit showing my new design;  
FIG. 2 is another perspective view thereof;  
FIG. 3 is a front elevational view thereof;  
FIG. 4 is a rear elevational view thereof;  
FIG. 5 is a left side elevational view thereof;  
FIG. 6 is a right side elevational view thereof;  
FIG. 7 is a top plan view thereof; and,  
FIG. 8 is a bottom plan view thereof.  
The broken lines in the drawings depict portions of the pet nail grinder bit that form no part of the claimed design.

**1 Claim, 8 Drawing Sheets**



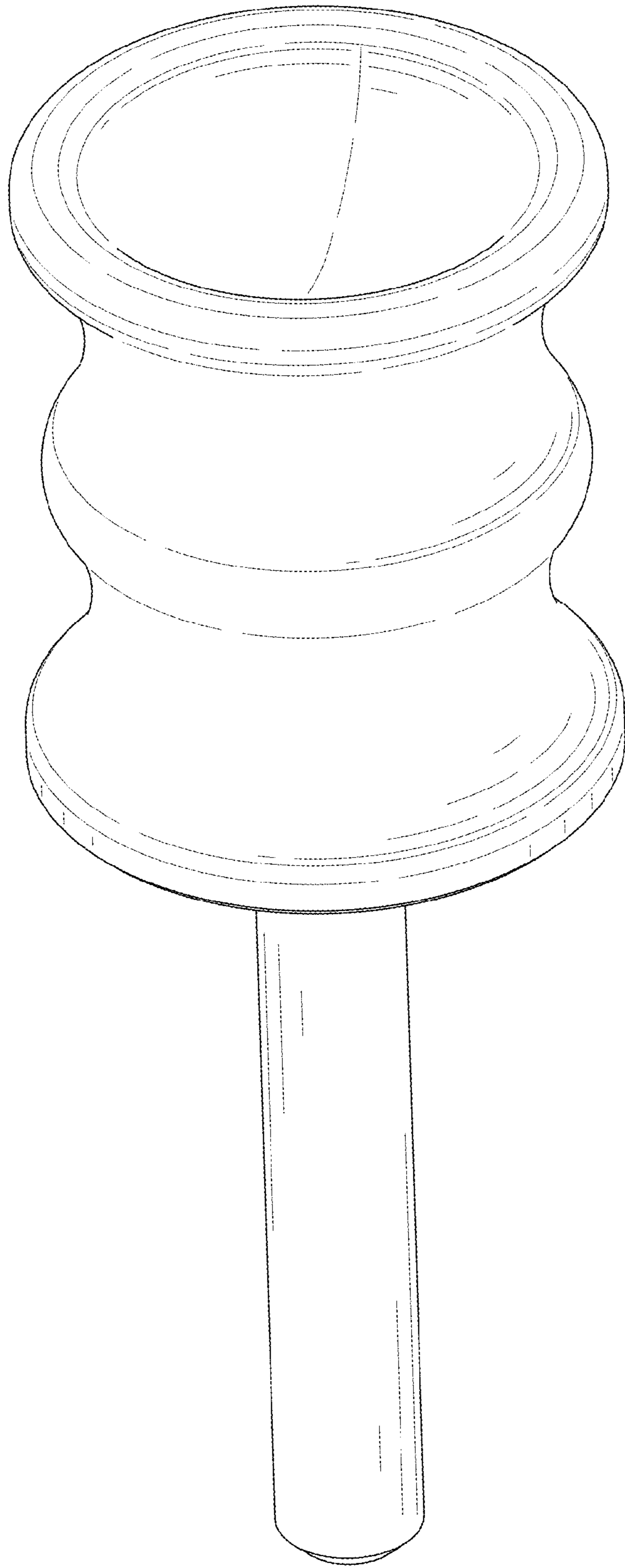


FIG. 1

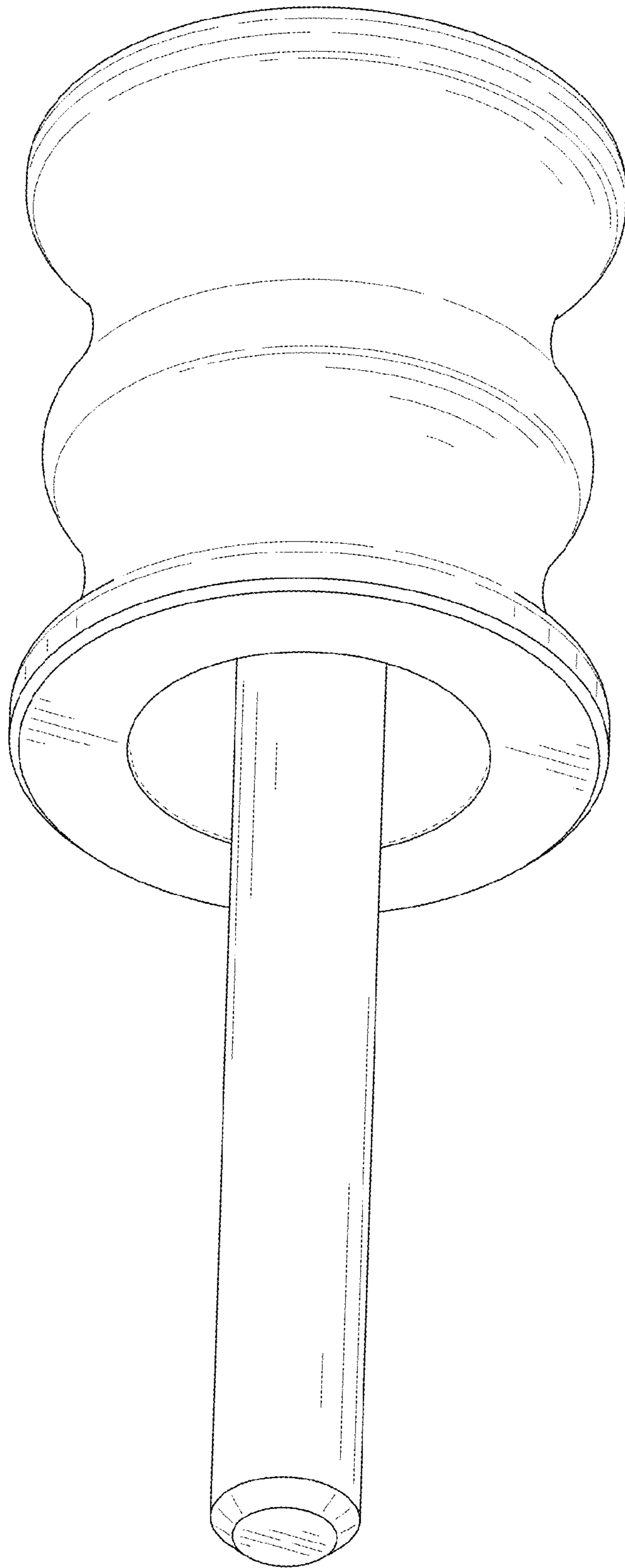


FIG. 2

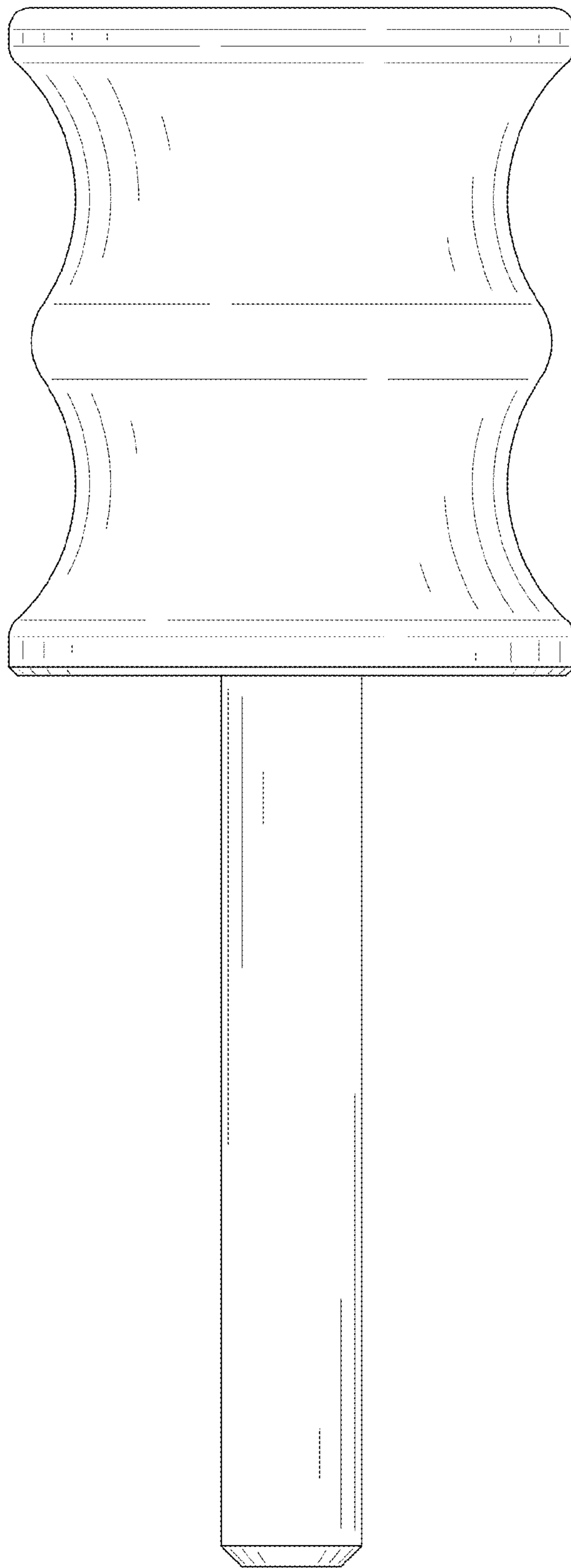


FIG. 3

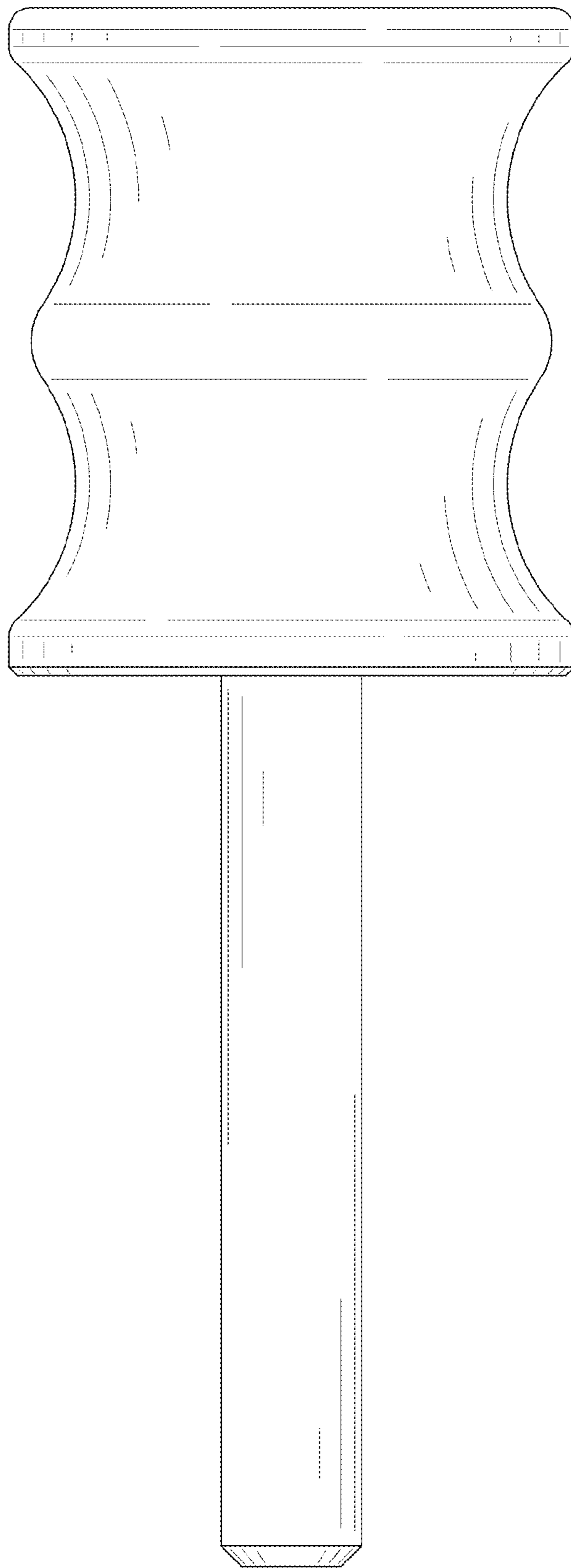


FIG. 4

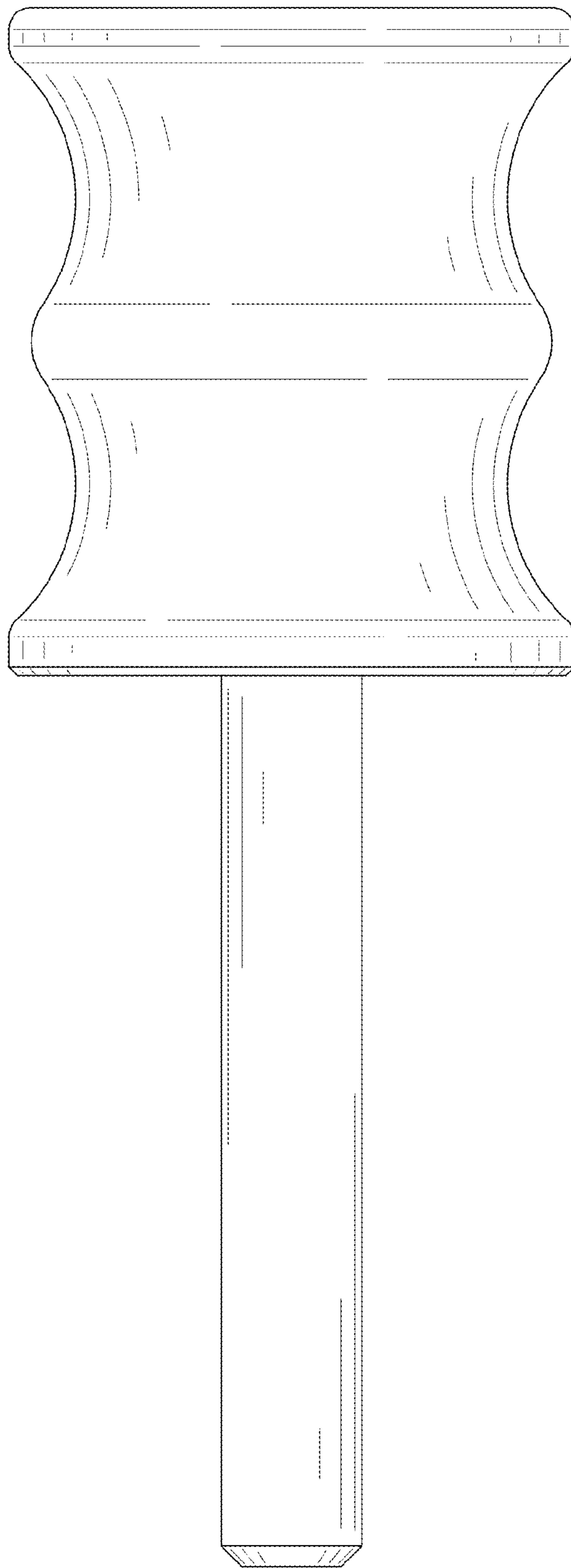


FIG. 5

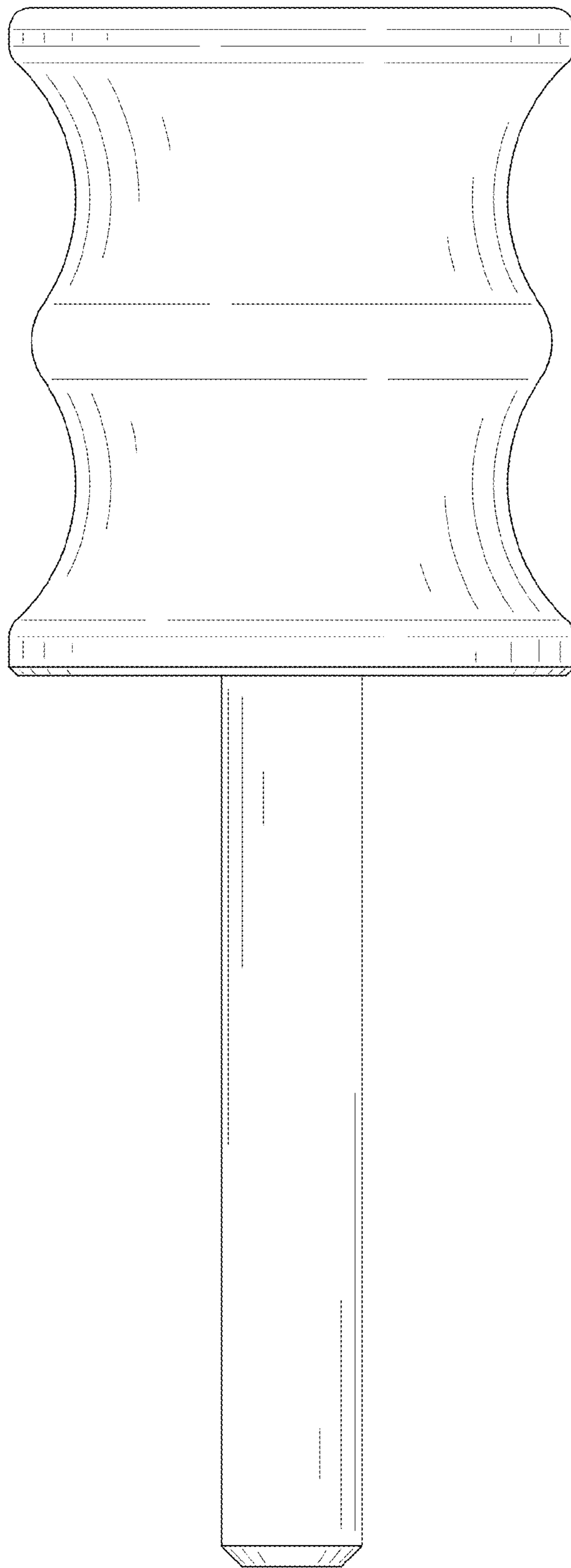


FIG. 6

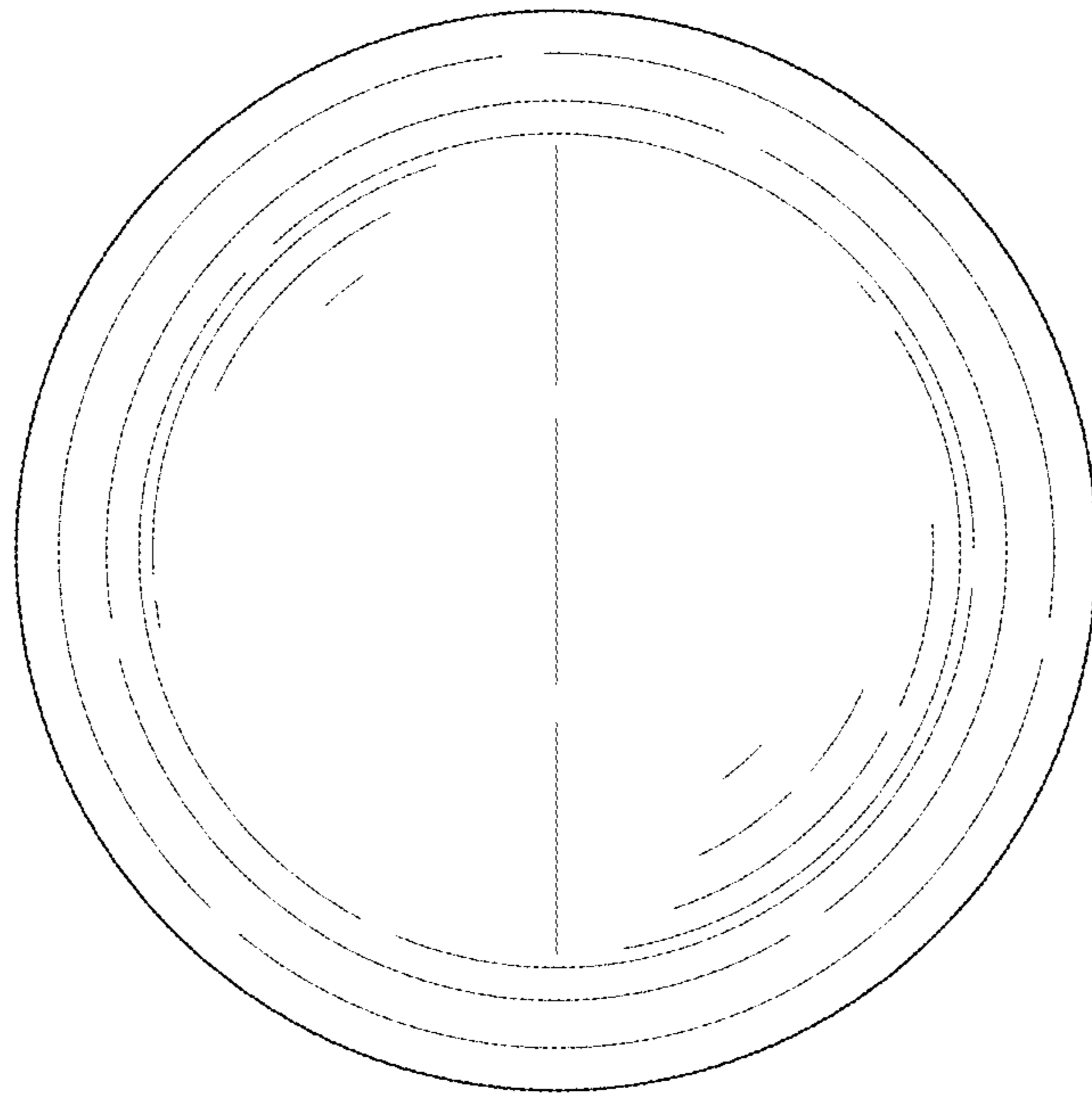


FIG. 7



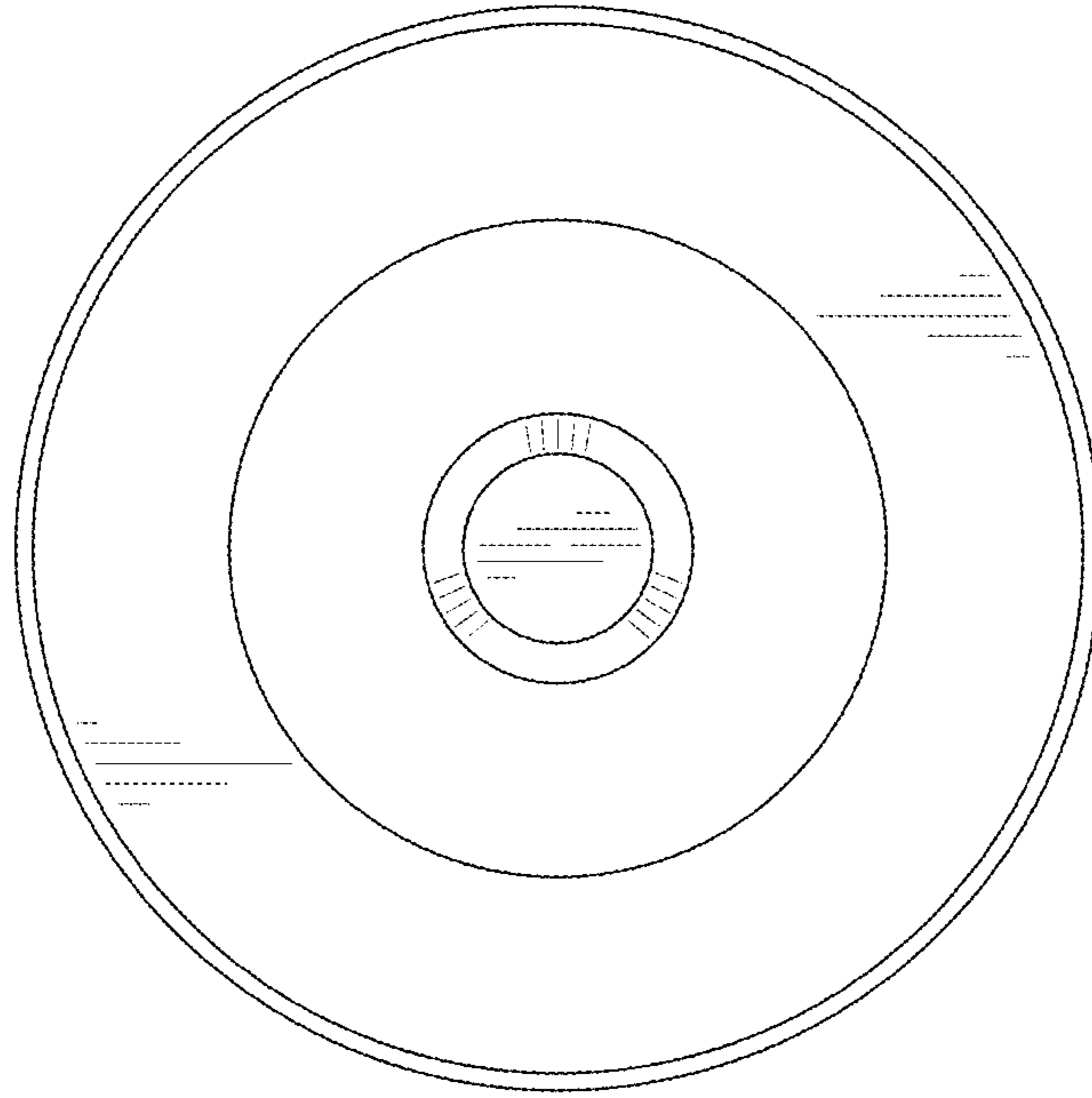


FIG. 8