



US00D954359S

(12) **United States Design Patent** (10) **Patent No.:** **US D954,359 S**
Minale et al. (45) **Date of Patent:** **** Jun. 7, 2022**

(54) **COLLAR**
(71) Applicant: **Buster and Punch Limited**, Stamford (GB)
(72) Inventors: **Massimo Minale**, London (GB); **Martin Preen**, Stamford (GB)
(73) Assignee: **Buster and Punch Limited**, Stamford (GB)
(**) Term: **15 Years**

D244,310 S 5/1977 Dunning
4,087,187 A 5/1978 Asaro
4,373,405 A 2/1983 Geil
D271,528 S 11/1983 Muller
D283,785 S 5/1986 Belaiche
D284,259 S 6/1986 Oury
D291,053 S 7/1987 Decursu
D299,109 S 12/1988 Jans
4,955,914 A 9/1990 Caniglia et al.
D338,986 S * 8/1993 Steiner D30/152
D373,750 S * 9/1996 Gunderson D12/133
D398,214 S 9/1998 Yui
(Continued)

(21) Appl. No.: **29/744,802**
(22) Filed: **Jul. 31, 2020**

OTHER PUBLICATIONS

“Dog Collar and Leash.” Found online Jan. 22, 2022 at www.busterandpunch.com. Page archived Jan. 21, 2021. Retrieved from URL: <https://web.archive.org/web/20210121135137/https://www.busterandpunch.com/us/shop/accessories/pets/dog-collar-leash-black-purple-brass/> (Year: 2021).*
(Continued)

(30) **Foreign Application Priority Data**
Feb. 7, 2020 (EM) 007670419-0001
Feb. 7, 2020 (EM) 007670419-0002
Feb. 7, 2020 (EM) 007670419-0003
Feb. 7, 2020 (EM) 007670419-0004
Feb. 7, 2020 (EM) 007670419-0005

Primary Examiner — Mary Ann Calabrese
Assistant Examiner — Katelin G Kloberg
(74) *Attorney, Agent, or Firm* — Dascenzo Gates Intellectual Property Law, P.C.

(51) **LOC (13) Cl.** **30-04**
(52) **U.S. Cl.**
USPC **D30/152**
(58) **Field of Classification Search**
USPC D30/152, 153
CPC A01K 27/001; A01K 47/02
See application file for complete search history.

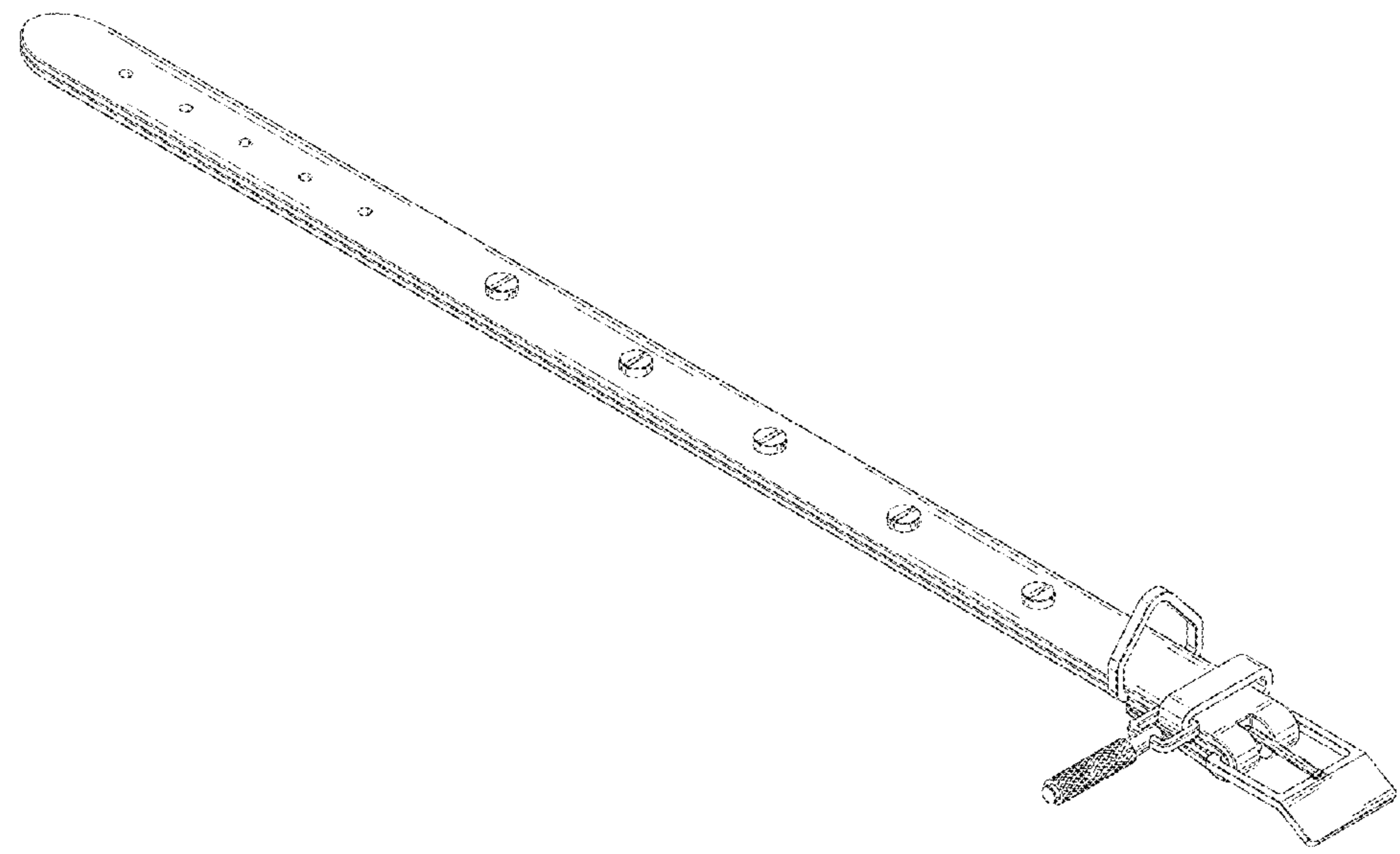
(57) **CLAIM**
The ornamental design for a collar, as shown and described.

DESCRIPTION

FIG. 1 is an isometric view of a collar showing the design. FIG. 2 is a left side elevation view thereof. FIG. 3 is a right side elevation view thereof. FIG. 4 is a first end view thereof. FIG. 5 is an opposite end view thereof. FIG. 6 is a top plan view thereof; and, FIG. 7 is a bottom plan view thereof.

1 Claim, 7 Drawing Sheets

(56) **References Cited**
U.S. PATENT DOCUMENTS
D85,931 S 1/1932 Graff
D103,024 S 2/1937 Loewy
D110,213 S 6/1938 Hazenberg
2,546,157 A 3/1951 Hume
2,871,044 A 1/1959 Peterson et al.
D206,454 S 12/1966 Rosen
D238,549 S 1/1976 Fischer



(56)

References Cited

U.S. PATENT DOCUMENTS

D405,342 S 2/1999 Thompson
 D436,698 S * 1/2001 Noguero D30/152
 D438,775 S 3/2001 Magnusson
 D439,361 S 3/2001 Berry
 D442,317 S 5/2001 Crosby
 D445,735 S 7/2001 Sheu
 D471,074 S 3/2003 Fields
 D471,075 S 3/2003 Fields
 D483,143 S 12/2003 Orozco
 D489,602 S 5/2004 Menta
 D500,241 S 12/2004 Choi
 D504,309 S 4/2005 Fuchs
 D504,804 S 5/2005 Chen
 D505,139 S 5/2005 Jackovin
 D511,290 S 11/2005 Coudurier
 D514,420 S 2/2006 Xu
 D516,755 S * 3/2006 Catalano D30/152
 D520,849 S 5/2006 Mentasti
 7,044,020 B2 5/2006 Rosenthal
 D540,494 S * 4/2007 Beyaz D30/152
 D540,993 S * 4/2007 Beyaz D30/152
 D549,383 S 8/2007 Duggan
 D563,007 S 2/2008 Opolka
 D564,336 S 3/2008 McConnell
 D564,854 S 3/2008 Thompson
 D569,219 S 5/2008 Sjögren
 D579,156 S * 10/2008 Boaz D30/152
 D596,476 S 7/2009 Welch
 D606,789 S 12/2009 Krumpe
 D619,872 S 7/2010 Singtoroj
 D627,441 S 11/2010 Sedwick
 D637,884 S 5/2011 Trotta
 D646,833 S 10/2011 Chen
 D648,204 S 11/2011 Parvey
 D654,231 S * 2/2012 Clayton D30/153
 D680,407 S 4/2013 Ramsland et al.
 D680,848 S 4/2013 Jou
 D694,478 S * 11/2013 Ali D30/153
 D695,587 S 12/2013 Pallone
 D697,661 S 1/2014 Sabernig
 D698,219 S 1/2014 Lee
 D702,003 S * 4/2014 Fidrych D30/152
 D713,089 S 9/2014 Orozco
 D737,652 S 9/2015 Harden et al.
 D738,468 S 9/2015 Bahler
 D740,099 S 10/2015 Chang
 D758,825 S 6/2016 Nesbitt
 D768,626 S 10/2016 Mikelson
 D777,008 S 1/2017 Nesbitt
 D781,126 S 3/2017 Pionek et al.
 D787,296 S 5/2017 Zimmer
 D788,566 S 6/2017 Wang
 9,677,705 B2 6/2017 Cen
 9,683,771 B2 6/2017 Anselmino et al.
 D794,876 S * 8/2017 Renforth D30/153
 D794,884 S 8/2017 Ayers
 9,726,422 B2 8/2017 Tunzi
 D798,396 S 9/2017 Agate et al.
 9,765,527 B2 9/2017 Hart et al.
 D802,228 S * 11/2017 Massiglia D30/153
 D809,169 S 1/2018 Grandadam
 D813,005 S 3/2018 Dovellos
 D815,334 S 4/2018 Hu
 D824,076 S 7/2018 Sonneman
 D824,238 S 7/2018 Grasselli et al.
 D829,076 S 9/2018 Dulley et al.
 D829,527 S 10/2018 Kang et al.
 D829,866 S 10/2018 Kirar et al.
 D830,521 S 10/2018 Kirar et al.
 D833,056 S 11/2018 Sonneman
 D834,394 S 11/2018 Kang et al.
 D836,820 S 12/2018 Sonneman
 D837,436 S 1/2019 Orozco
 D838,401 S 1/2019 Joyeux
 D838,402 S 1/2019 Sonneman

D838,572 S 1/2019 Su
 D842,073 S 3/2019 Minale et al.
 D851,318 S 6/2019 Amato et al.
 D851,319 S 6/2019 Amato et al.
 D862,195 S 10/2019 Dulley et al.
 D862,661 S 10/2019 Kulig
 D862,804 S * 10/2019 Bitar D30/153
 D867,101 S 11/2019 Minale et al.
 D869,931 S 12/2019 Dulley et al.
 D871,554 S 12/2019 Garland
 D887,067 S 6/2020 Dulley et al.
 10,670,203 B1 6/2020 Glazer et al.
 D892,383 S 8/2020 McDennon
 D902,686 S 11/2020 Prezner
 2004/0245080 A1 12/2004 Turner
 2005/0211696 A1 9/2005 Adamski
 2006/0086127 A1 4/2006 Anselmino et al.
 2009/0262535 A1 10/2009 Maillet-Jegou
 2010/0019516 A1 1/2010 Williamson
 2011/0314860 A1 12/2011 Tafoya et al.
 2013/0092646 A1 4/2013 Wang
 2014/0096761 A1 4/2014 Brantley et al.
 2014/0210331 A1 7/2014 Tunzi
 2015/0331441 A1 11/2015 Ho et al.
 2016/0145895 A1 5/2016 Kankkunen
 2017/0365114 A1 12/2017 Bettencourt et al.
 2019/0203890 A1 7/2019 Moore et al.

OTHER PUBLICATIONS

“Found My Animal Rescue Orange Project Dog Leash.” Found online Jan. 22, 2022 at www.chewy.com. Product reviewed Nov. 18, 2020. Retrieved from URL: <https://www.chewy.com/found-my-animal-rescue-orange-project/dp/202426> (Year: 2020).*

“Brown Leather Dog Collar and Leash Set.” Found online Jan. 22, 2022 at www.amazon.com. Product first available Jul. 19, 2020. Retrieved from URL: <https://www.amazon.com/Brown-Leather-Dog-Collar-Leash/dp/B08D8B7M5W> (Year: 2020).*

Japan Design Registration No. 702140, Apr. 8, 1987.

European Community Design Reg. No. 002688093-0001, EUIPO, Apr. 23, 2015.

European Community Design Reg. No. 002688093-0002, EUIPO, Apr. 23, 2015.

European Community Design Reg. No. 002688093-0003, EUIPO, Apr. 23, 2015.

European Community Design Reg. No. 002688093-0004, EUIPO, Apr. 23, 2015.

European Community Design Reg. No. 002688093-0005, EUIPO, Apr. 23, 2015.

European Community Design Reg. No. 002688093-0006, EUIPO, Apr. 23, 2015.

European Community Design Reg. No. 002688093-0007, EUIPO, Apr. 23, 2015.

European Community Design Reg. No. 002688093-0008, EUIPO, Apr. 23, 2015.

European Community Design Reg. No. 002688093-0009, EUIPO, Apr. 23, 2015.

European Community Design Reg. No. 002688093-0010, EUIPO, Apr. 23, 2015.

European Community Design Reg. No. 002688093-0011, EUIPO, Apr. 23, 2015.

European Community Design Reg. No. 002688093-0012, EUIPO, Apr. 23, 2015.

European Community Design Reg. No. 003098771-0001, EUIPO, Apr. 28, 2016.

European Community Design Reg. No. 003098771-0002, EUIPO, Apr. 28, 2016.

European Community Design Reg. No. 003124122-0001, EUIPO, May 12, 2016.

European Community Design Reg. No. 003124122-0002, EUIPO, May 12, 2016.

European Community Design Reg. No. 003124122-0003, EUIPO, May 12, 2016.

(56)

References Cited

OTHER PUBLICATIONS

European Community Design Reg. No. 003124122-0004, EUIPO, May 12, 2016.

European Community Design Reg. No. 003386952-0001, EUIPO, Sep. 20, 2016.

European Community Design Reg. No. 003386952-0002, EUIPO, Sep. 20, 2016.

European Community Design Reg. No. 003386952-0003, EUIPO, Sep. 20, 2016.

European Community Design Reg. No. 003386952-0004, EUIPO, Sep. 20, 2016.

European Community Design Reg. No. 003386952-0005, EUIPO, Sep. 20, 2016.

European Community Design Reg. No. 003386952-0006, EUIPO, Sep. 20, 2016.

European Community Design Reg. No. 003386952-0007, EUIPO, Sep. 20, 2016.

European Community Design Reg. No. 003386952-0008, EUIPO, Sep. 20, 2016.

European Community Design Reg. No. 003386952-0009, EUIPO, Sep. 20, 2016.

European Community Design Reg. No. 003797158-0001, EUIPO, Mar. 13, 2017.

European Community Design Reg. No. 003797158-0002, EUIPO, Mar. 13, 2017.

European Community Design Reg. No. 003797158-0003, EUIPO, Mar. 13, 2017.

European Community Design Reg. No. 003797158-0004, EUIPO, Mar. 13, 2017.

European Community Design Reg. No. 003797158-0005, EUIPO, Mar. 13, 2017.

European Community Design Reg. No. 003797158-0006, EUIPO, Mar. 13, 2017.

European Community Design Reg. No. 003797158-0007, EUIPO, Mar. 13, 2017.

European Community Design Reg. No. 003797158-0008, EUIPO, Mar. 13, 2017.

Pull Bar, Buster + Punch, posted at busterandpunch.com, date and author not listed © 2018 Buster + Punch, online, site visited Apr. 16, 2018. Available from Internet, URL: <https://www.busterandpunch.com/hardware/pull-bar/pull-bar-black> (Year: 2018).

Cabinet Knobs, Ottostumm/Piet Boon, staticl.squarespace.com, published by Ottostumm on Nov. 2015 © 2015 Ottostumm, online, site visited Dec. 28, 2018. Available from Internet, URL: <https://staticl.squarespace.com/static/530c9cdae4b05d0919018fa6/t/56e806fbb09f95498f307713/> ... (Year: 2015).

T-Bar handle with specifications, Buster and Punch, busterandpunch.com, published by Buster and Punch, date not listed © 2018 Buster and Punch, online, site visited Dec. 28, 2018. Available from Internet, URL: <https://www.busterandpunch.com/hardware/t-bar/t-bar-nude-brass> (Year: 2018).

Knurled/Textured Cabinet Handle, brand not listed, aliexpress.com, published by Enmoo HW Store, date not listed © 2010-2019

AliExpress.com, online site visited Jan. 6, 2019. Available from Internet, URL: [https://www.aliexpress.com/item/Knurled-Textured-cabinet-handles-Gold-Kitchen ...](https://www.aliexpress.com/item/Knurled-Textured-cabinet-handles-Gold-Kitchen...) (Year: 2018).

Homefield Lantern with Motion Sensor by Astro Lighting. Date first available at amazon.com.uk Jun. 4, 2014. (Year: 2014).

Messina #130 7861 from Astro Lighting. Date first available at amazon.com.uk Oct. 29, 2017. (Year: 2017).

Astro Homefield Outdoor Pendant Ceiling Light, Product code: 70270104 from johnlewis.com visited Jul. 17, 2019. (Year: 2019).

Quoizel Westover 20" High Earth Black Outdoor Wall Light, available from lampsplus.com as early as Dec. 7, 2020. (Year: 2020).

Z-Lite 584B-BK Dunbroch 1-Light 24 inch Black Outdoor Wall Sconce, available from zlitelightinglightscom as early as Jun. 9, 2020. (Year: 2020).

Hinkley Max 18½" High Black Outdoor Wall Light Style # 84A81, available from lampsplus.com, visited Jun. 9, 2021. (Year: 2021).

The Athena door handle, Zoo Hardware Ltd., prior art cited in a Declaration of Invalidity filed against EU Design Application No. 003124122-0004, filed May 12, 2016.

The Eros door handle, Zoo Hardware Ltd., prior art cited in a Declaration of Invalidity filed against EU Design Application No. 003124122-0004, filed May 12, 2016.

The Philadelphia door handle, Carlisle Brass Ltd, prior art cited in a Declaration of Invalidity filed against EU Design Application No. 003124122-0004, filed May 12, 2016.

The Knot T-bar, Furnipart A/S, prior art cited in a Declaration of Invalidity filed against EU Design Application No. 003386952-0005, filed Sep. 20, 2016.

Control knob, replica Fender guitar, prior art cited in a Declaration of Invalidity filed against EU Design Application No. 003124122-0001, filed May 12, 2016.

Knurled Cupboard Knob 28 mm, SDS London Limited, prior art cited in a Declaration of Invalidity filed against EU Design Application No. 003124122-0001, filed May 12, 2016.

Chrome Dome knobs, Fender Musical Instruments Corporation, prior art cited in a Declaration of Invalidity filed against EU Design Application No. 003124122-0001, filed May 12, 2016.

Knurled Pull, Schoolhouse Electric Inc., prior art cited in a Declaration of Invalidity filed against EU Design Application Nos. 003386952-0001 and 003386952-0002, filed May 12, 2016.

Nanz 8180WN knob, The Nanz Company, prior art cited in a Declaration of Invalidity filed against EU Design Application No. 003386952-0005, filed May 12, 2016.

Sparkbrook Pull, Armac Manufacturing (Brassfounders) Limited, prior art cited in a Declaration of Invalidity filed against EU Design Application Nos. 003386952-0001, 003386952-0002, and 003386952-0005, filed May 12, 2016.

Sparkbrook T-bar Armac Manufacturing (Brassfounders) Limited, prior art cited in a Declaration of Invalidity filed against EU Design Application Nos. 003386952-0001, 003386952-0002, and 003386952-0005, filed May 12, 2016.

* cited by examiner

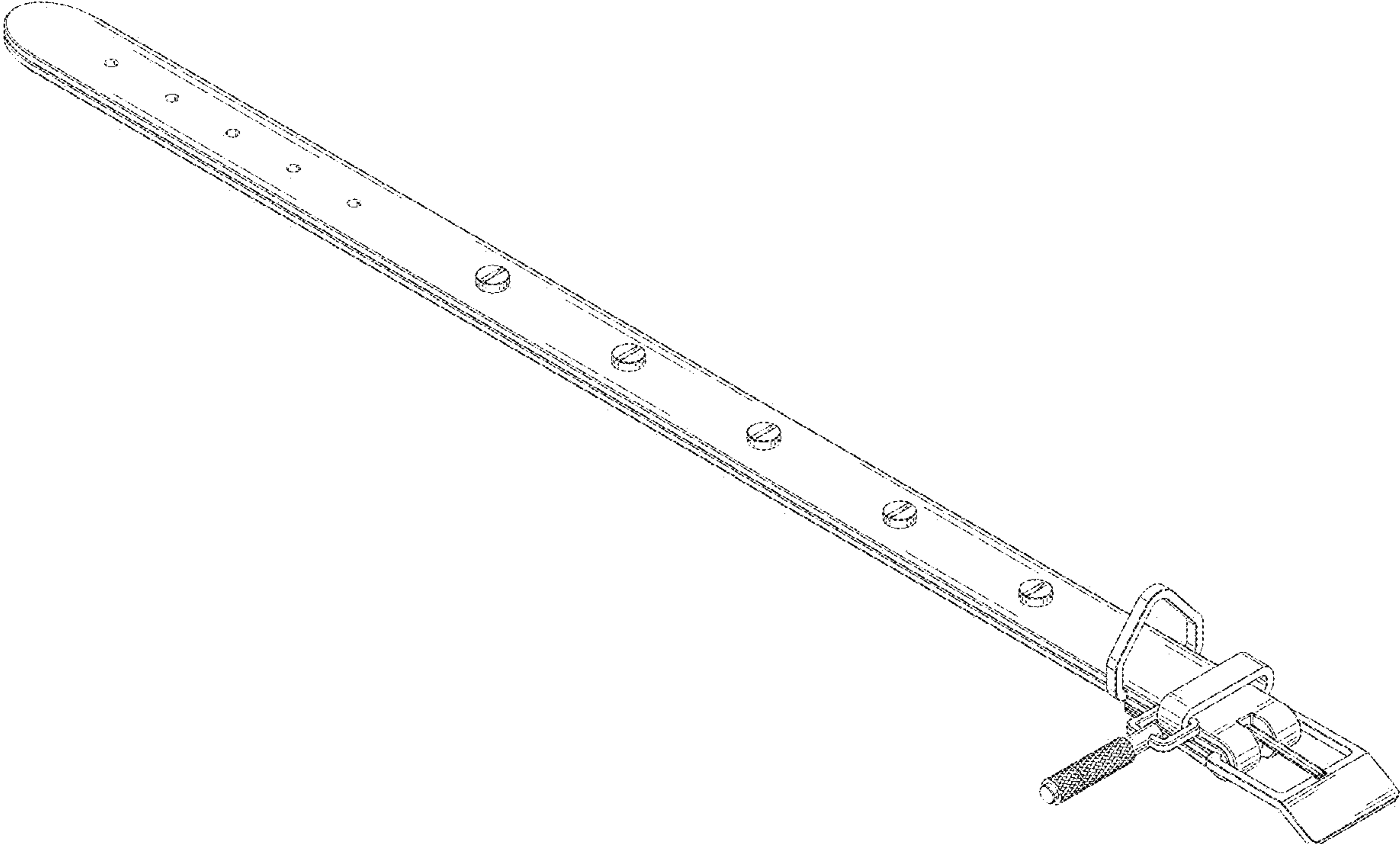


FIG. 1

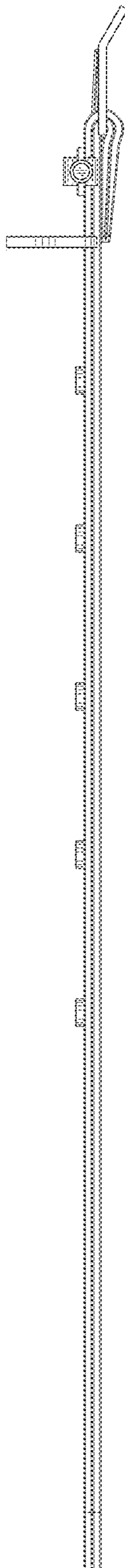


FIG. 2

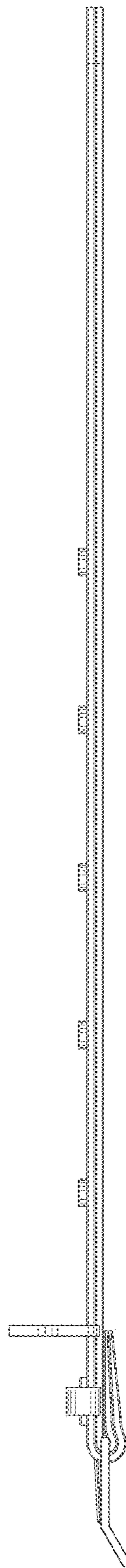


FIG. 3

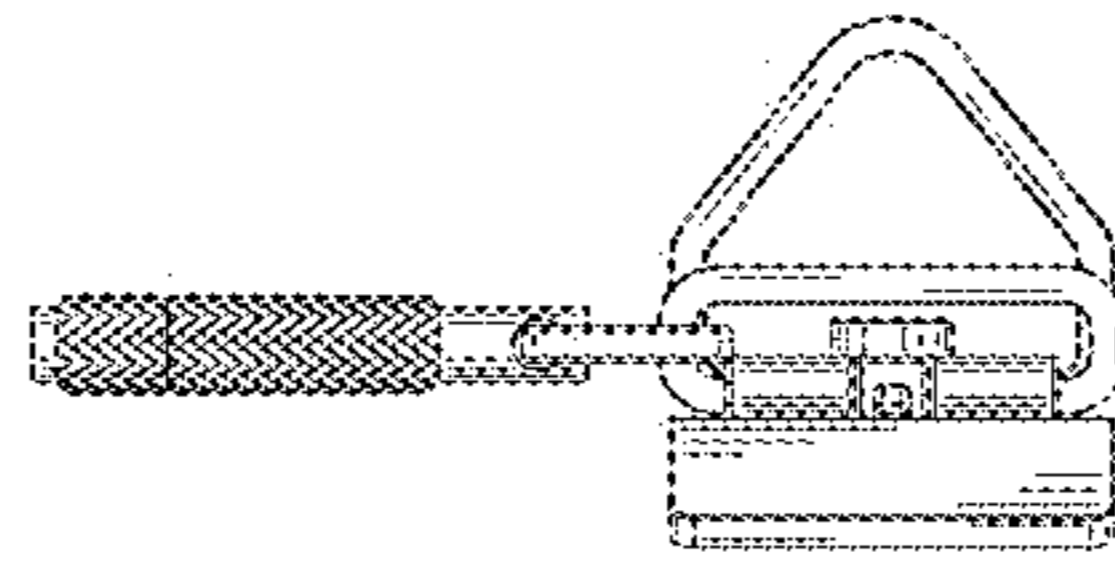


FIG. 4

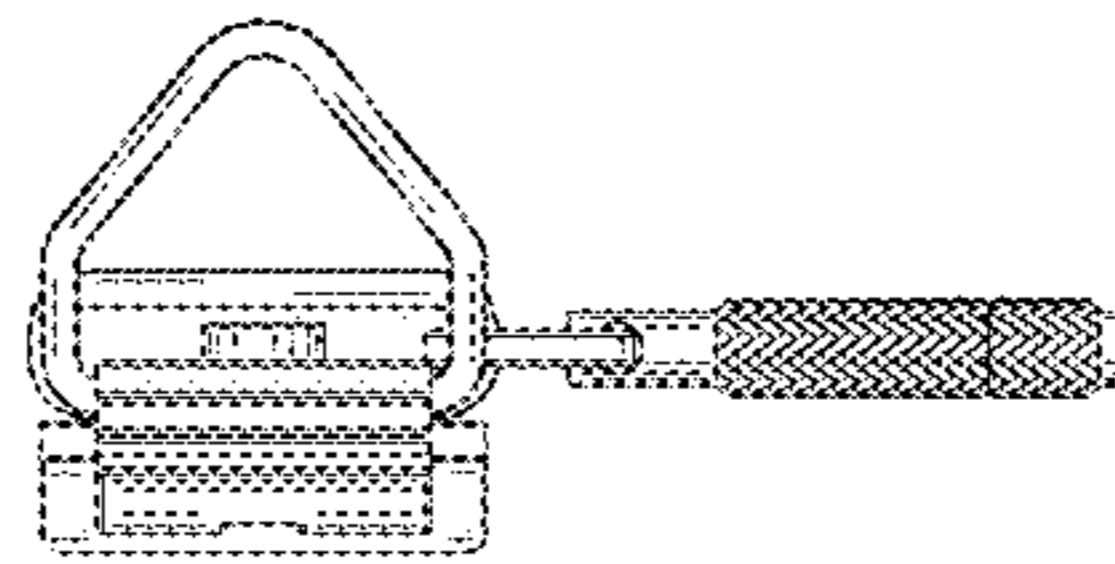


FIG. 5

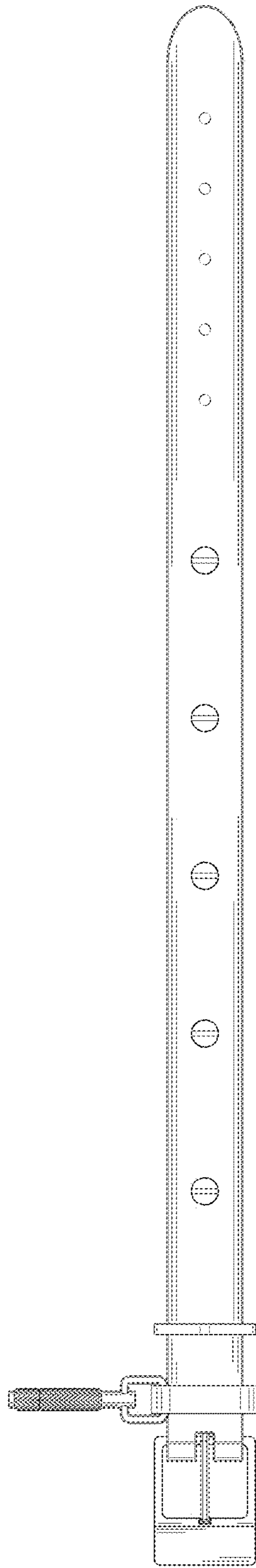


FIG. 6

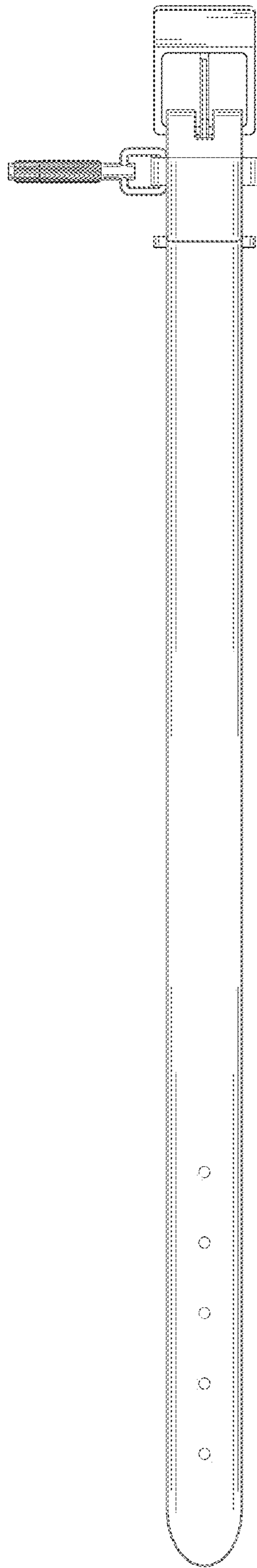


FIG. 7