



US00D954358S

(12) **United States Design Patent** (10) **Patent No.:** **US D954,358 S**  
**De Boeck** (45) **Date of Patent:** **\*\* Jun. 7, 2022**

(54) **PET ACCESSORY**

FOREIGN PATENT DOCUMENTS

(71) Applicant: **Rolf C. Hagen Inc.**, Baie d'Urfé (CA)

EM 006167324 10/2008

(72) Inventor: **Vincent De Boeck**, Putte (BE)

OTHER PUBLICATIONS

(73) Assignee: **Rolf C. Hagen Inc.**, Baie d'Urfé (CA)

"Catit PIXI Stainless Steel Fountain" available Sep. 15, 2021, [online], [site visited Sep. 15, 2021]. Retrieved from Internet, URL: <https://usa.catit.com/shop/catit-pixi-stainless-steel-fountain/> (Year: 2021).\*

(\*\*) Term: **15 Years**

(21) Appl. No.: **29/731,534**

(Continued)

(22) Filed: **Apr. 15, 2020**

*Primary Examiner* — W. A. Teddy Falloway

(51) **LOC (13) Cl.** ..... **30-03**

*Assistant Examiner* — Katrina N Gonzalez

(52) **U.S. Cl.**

(74) *Attorney, Agent, or Firm* — Wolf, Greenfield & Sacks, P.C.

USPC ..... **D30/132**

(58) **Field of Classification Search**

USPC ..... D30/121, 122, 129-133, 199; 119/51.01, 119/51.02, 51.03, 51.11, 51.15, 51.5, 70, 119/52.1, 52.3, 52.4, 53, 53.5, 54, 57.92, 119/61.1, 61.3, 61.5, 61, 52, 61.53, 61.54, 119/61.55, 68, 72, 73, 74, 75, 78, 174

CPC . A01K 5/00; A01K 7/00; A01K 39/02; A01K 39/04; A01K 39/0213; A01K 5/0114; A01K 5/0121; A01K 5/0135; A01K 7/005

See application file for complete search history.

(57) **CLAIM**

The ornamental design for a pet accessory, as shown and described.

**DESCRIPTION**

FIG. 1 is a top, front, right side perspective view of a pet accessory;

FIG. 2 is a front elevation view thereof;

FIG. 3 is a rear elevation view thereof;

FIG. 4 is a right side elevation view thereof;

FIG. 5 is a left side elevation view thereof;

FIG. 6 is a top plan view thereof;

FIG. 7 is a bottom plan view thereof; and,

FIG. 8 is another top, front, right side perspective thereof, but shown with environmental subject matter in a state of use.

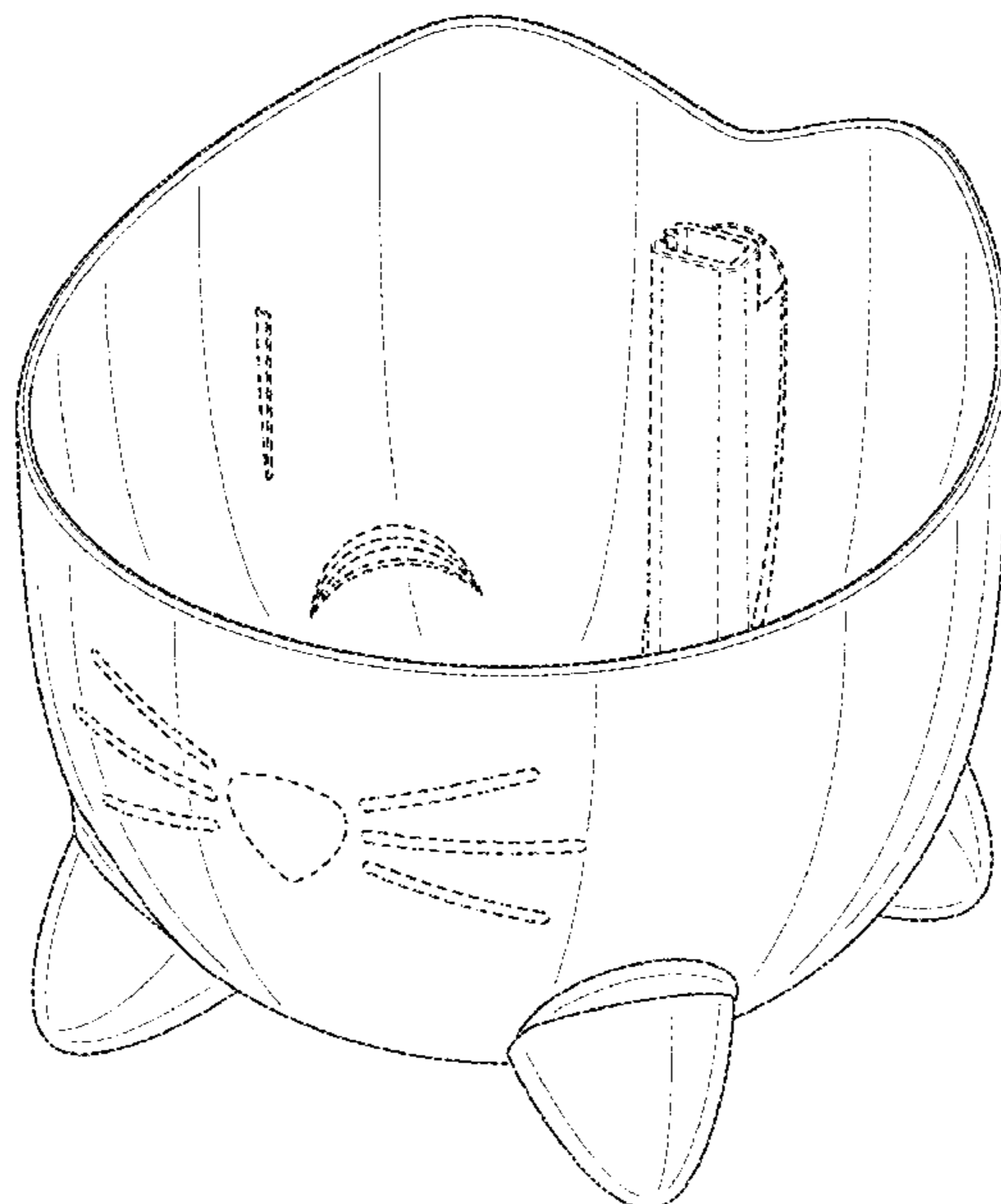
The dash-dash broken lines depict portions of the pet accessory that form no part of the claimed design.

(56) **References Cited**

U.S. PATENT DOCUMENTS

D291,779 S	9/1987	Inaba	
5,695,086 A	12/1997	Viola	
D503,617 S	4/2005	Roth et al.	
D515,352 S	2/2006	Roth et al.	
7,270,082 B2	9/2007	Plante	
D692,623 S *	10/2013	Lipscomb	A01K 7/022
			D30/132
D738,579 S *	9/2015	Owens	D30/132
D877,568 S *	3/2020	Finell	D7/515
D904,696 S *	12/2020	Xu	D30/129
D918,488 S *	5/2021	Kerr	D30/129

**1 Claim, 8 Drawing Sheets**



(56)

**References Cited**

OTHER PUBLICATIONS

“Petsmart—Catit PIXI Cat Drinking Fountain” available Aug. 2021, [online], [site visited Sep. 15, 2021]. Retrieved from Internet, URL:<https://www.petsmart.com/cat/bowls-and-feeders/automatic-feeders/catit-pixi-cat-drinking-fountain-5318469.html> (Year: 2021).\*

“Twitter—Rolf C Hagen Inc” available Aug. 17, 2021, [online], [site visited Sep. 15, 2021]. Retrieved from Internet, URL:[https://twitter.com/rolfc\\_hagen\\_inc](https://twitter.com/rolfc_hagen_inc) (Year: 2021).\*

“Catit PIXI Cat Drinking Fountain” available Jun. 2, 2021, [online], [site visited Sep. 15, 2021]. Retrieved from Internet, URL:[https://www.amazon.com/Catit-Drinking-Fountain-Running-Water/dp/B095PZ8ZXZ/ref=sr\\_1\\_4](https://www.amazon.com/Catit-Drinking-Fountain-Running-Water/dp/B095PZ8ZXZ/ref=sr_1_4) (Year: 2021).\*

\* cited by examiner

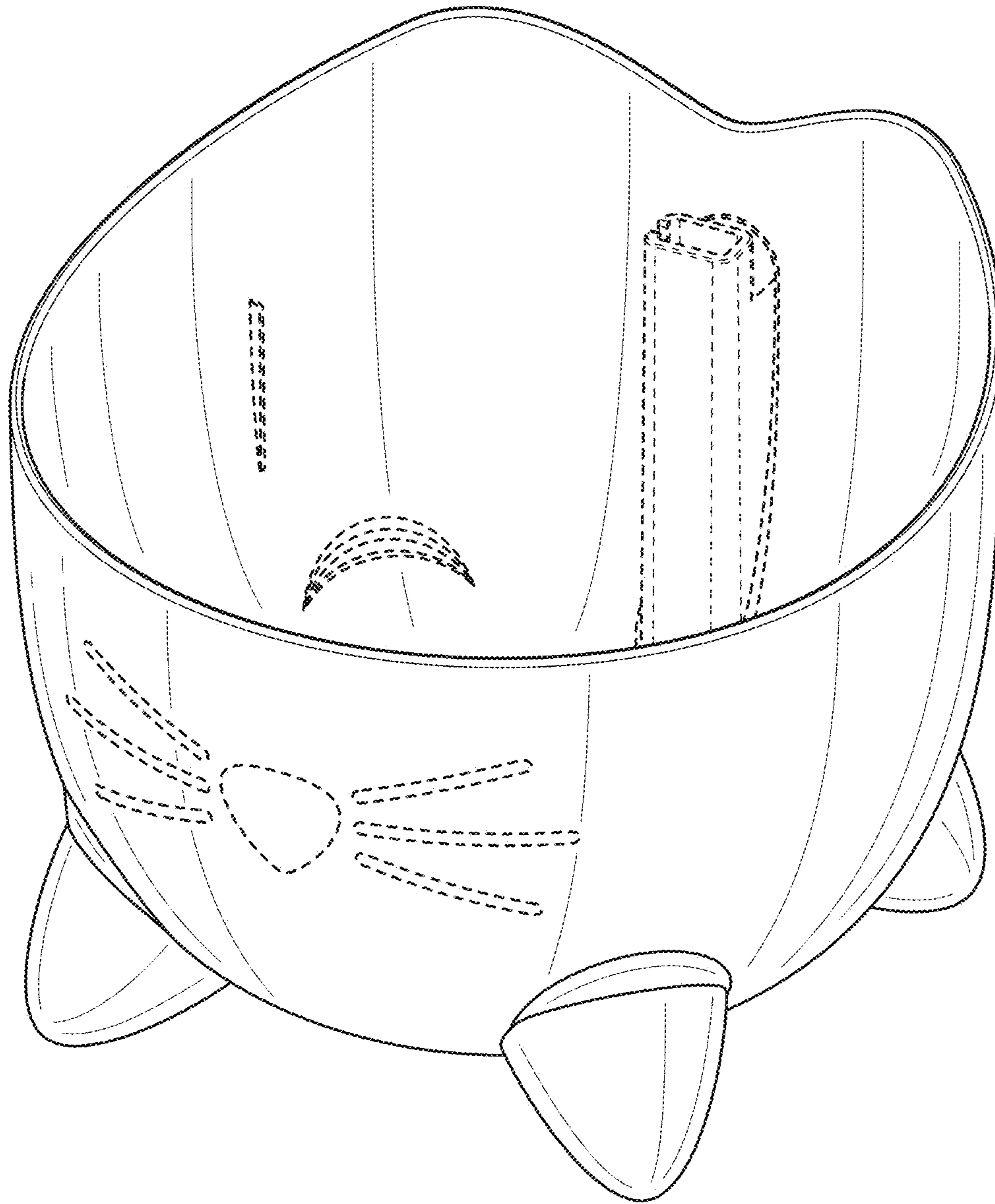


FIG. 1

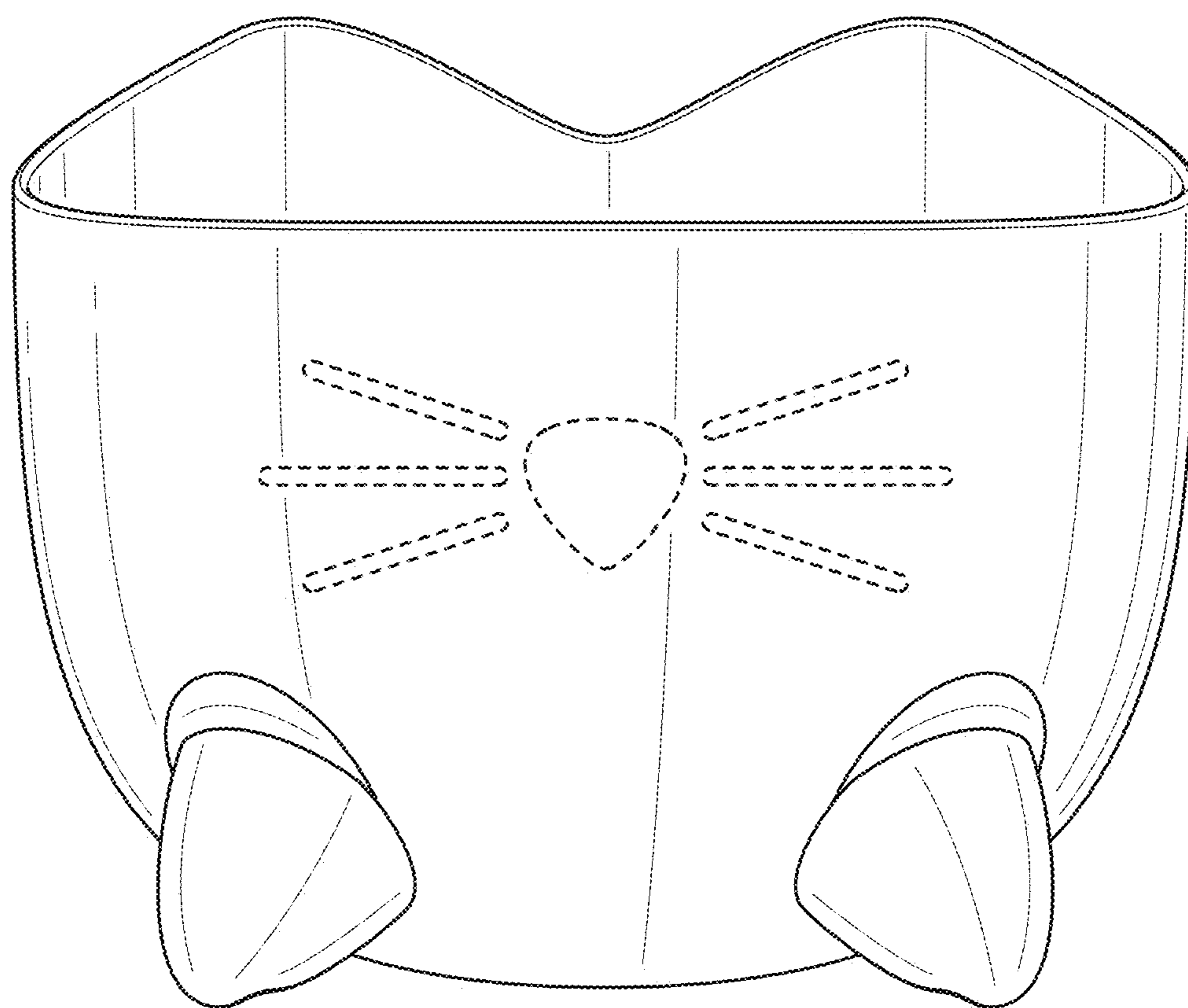


FIG. 2

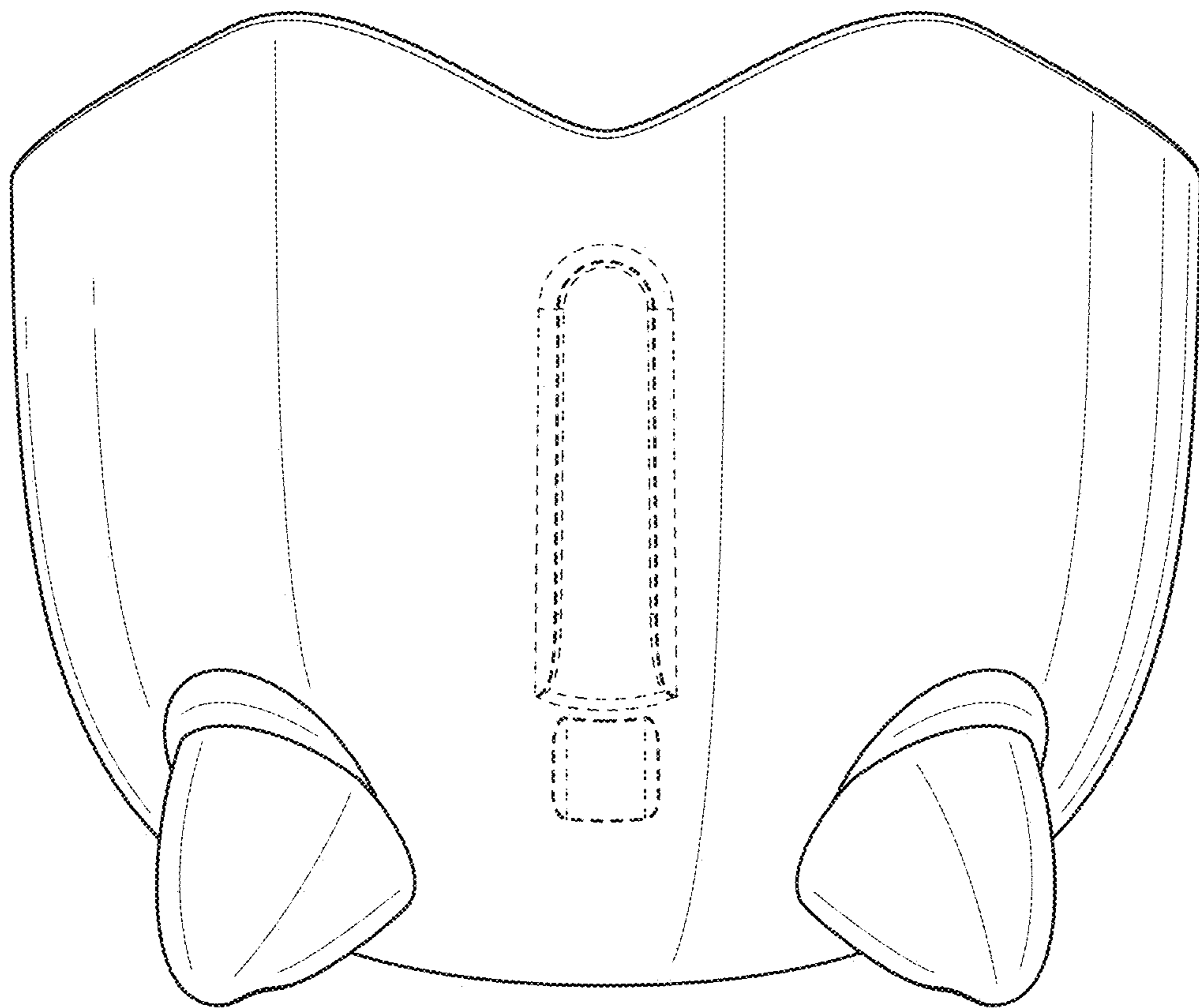


FIG. 3

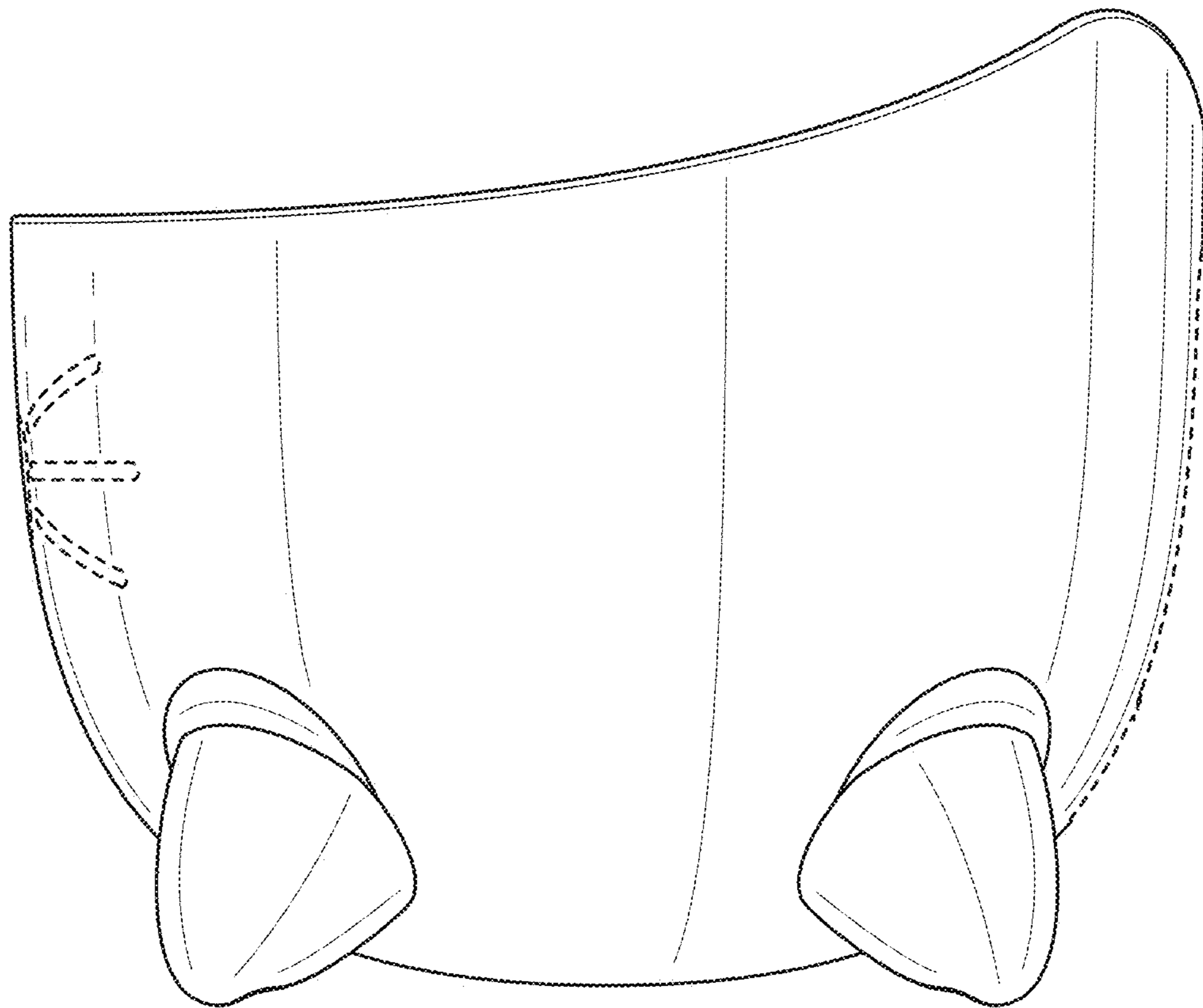


FIG. 4

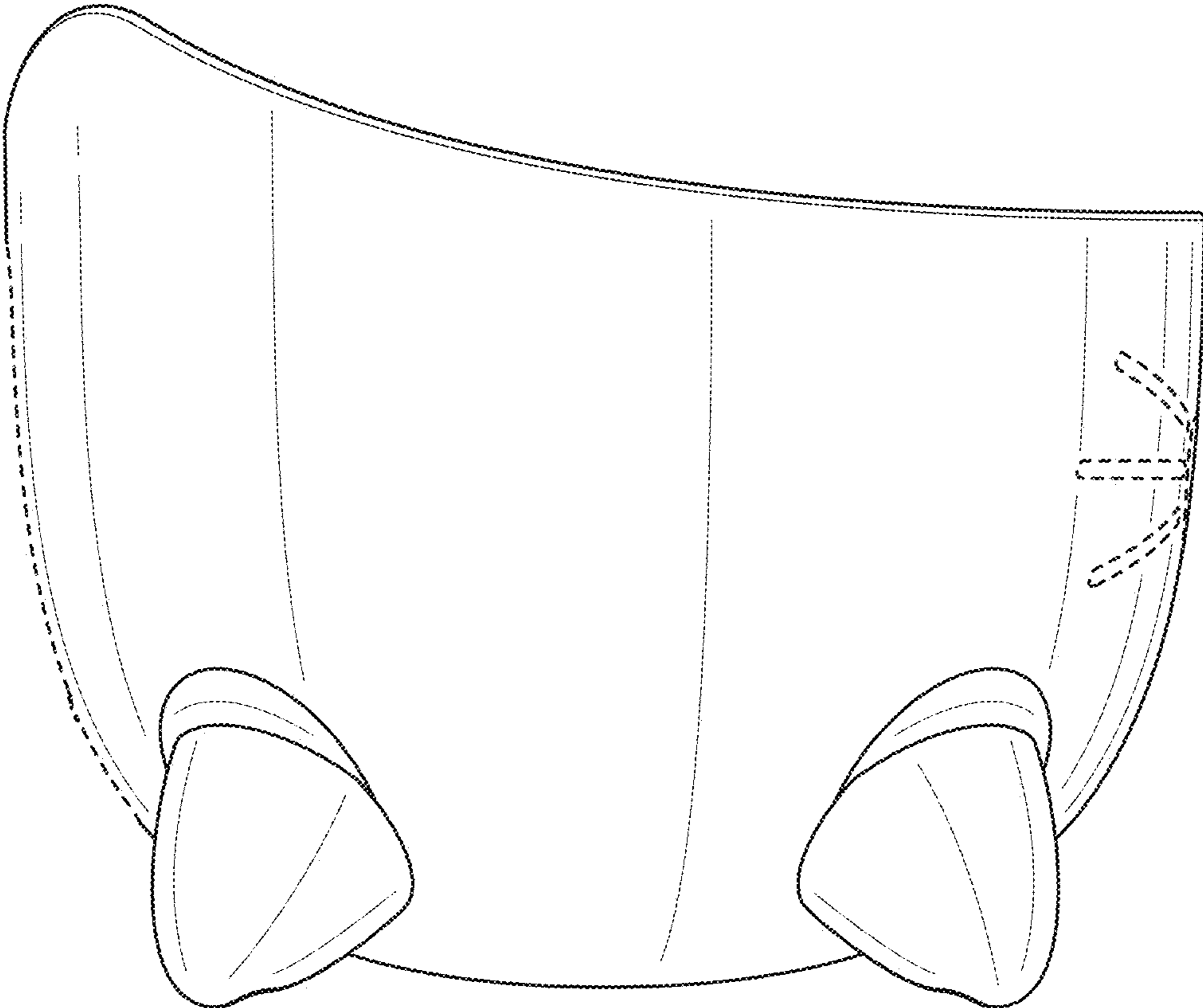


FIG. 5

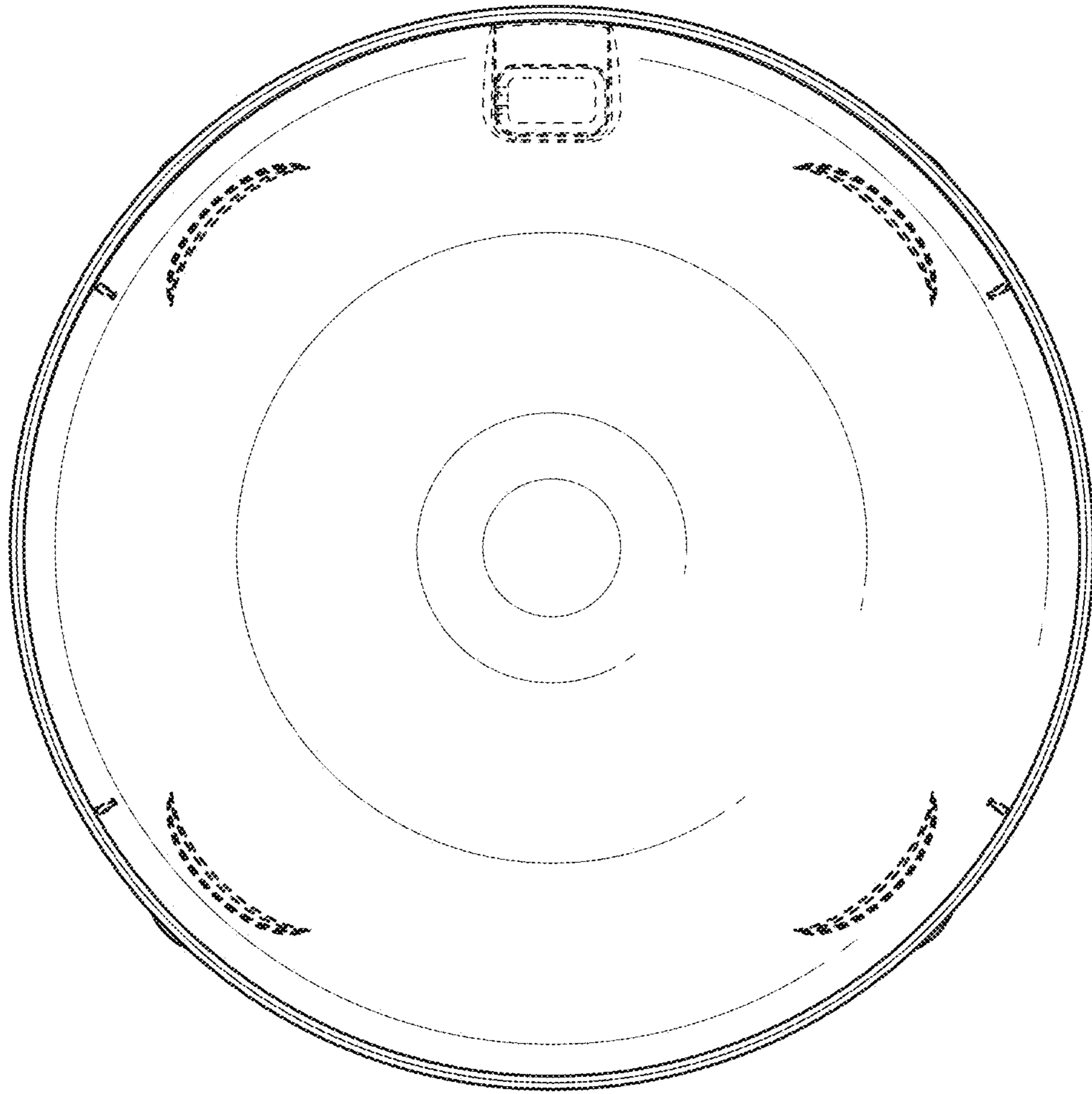


FIG. 6



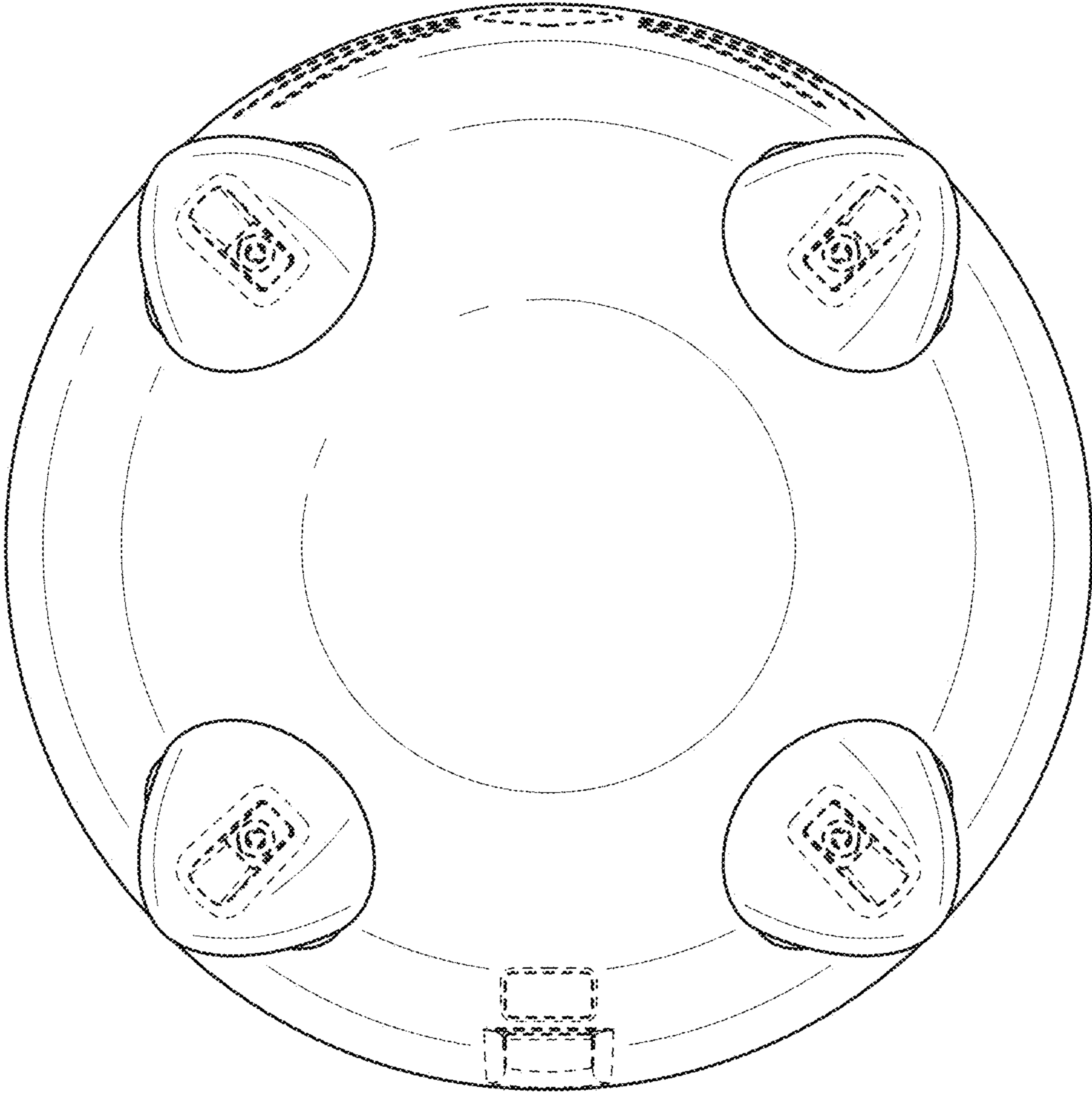


FIG. 7

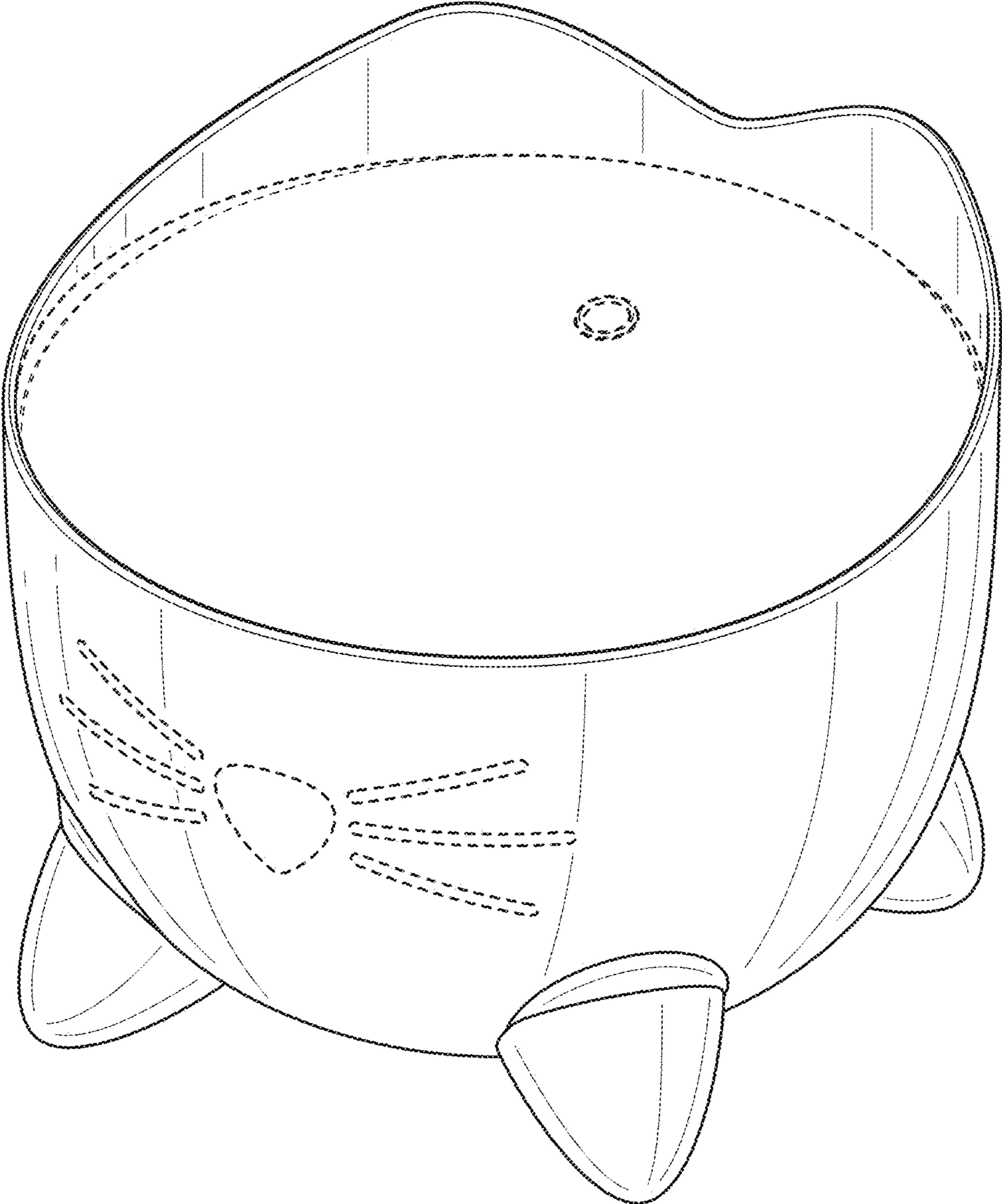


FIG. 8