



US00D954357S

(12) **United States Design Patent**  
**Ma**

(10) **Patent No.:** **US D954,357 S**  
(45) **Date of Patent:** **\*\* Jun. 7, 2022**

(54) **CAT FEEDER**

OTHER PUBLICATIONS

(71) Applicant: **Chao Ma**, Zhengzhou (CN)

(72) Inventor: **Chao Ma**, Zhengzhou (CN)

(\*\*) Term: **15 Years**

(21) Appl. No.: **29/767,627**

(22) Filed: **Jan. 25, 2021**

(51) **LOC (13) Cl.** ..... **30-03**

(52) **U.S. Cl.**  
USPC ..... **D30/130**

(58) **Field of Classification Search**

USPC ..... D30/121, 122, 129, 130, 131, 132, 133;  
119/51.01, 51.02, 51.03, 51.11, 51.12,  
119/51.13, 51.5, 52.1, 57, 57.1, 57.92, 58,  
119/60, 61.1, 61.5, 61.52, 61.54, 61.55,  
119/61.57, 72, 72.5, 73, 74, 75, 78, 174  
CPC ..... A01K 5/00; A01K 5/0114; A01K 5/0121;  
A01K 5/0135; A01K 7/005; A01K 7/00;  
A01K 39/02; A01K 39/04; A01K 39/0213  
See application file for complete search history.

“Genenic Triple Dog Cat Bowls” available Dec. 22, 2020, [online], [site visited Jan. 27, 2022]. Retrieved from Internet, URL:https://www.amazon.com/Genenic-Automatic-15%C2%B0Tilt-360%C2%B0Rotatable-Detachable/dp/B08R5NCQR1/ref=sr\_1\_5 (Year: 2020).\*  
“YEACHA Raised Cat Bowls” available Oct. 16, 2020, [online], [site visited Jan. 27, 2022]. Retrieved from Internet, URL:https://www.amazon.com/YEACHA-Elevated-Automatic-Silicon-Waterproof/dp/B08L95Q592/ref=sr\_1\_11 (Year: 2020).\*  
“Marchul Gravity Water and Double Food Bowls” available Jan. 10, 2021, [online], [site visited Jan. 27, 2022]. Retrieved from Internet, URL: https://www.amazon.com/Marchul-Gravity-Double-Raised-Mat-White/dp/B08L7SL4VC/ref=sr\_1\_42 (Year: 2021).\*  
“Hoopet 3 Bowls” available Aug. 7, 2021, [online], [site visited Jan. 27, 2022]. Retrieved from Internet, URL:https://www.aliexpress.com/item/1005001620308655.html (Year: 2021).\*

\* cited by examiner

*Primary Examiner* — W. A. Teddy Falloway

*Assistant Examiner* — Katrina N Gonzalez

(57) **CLAIM**

The ornamental design for a cat feeder, as shown and described.

**DESCRIPTION**

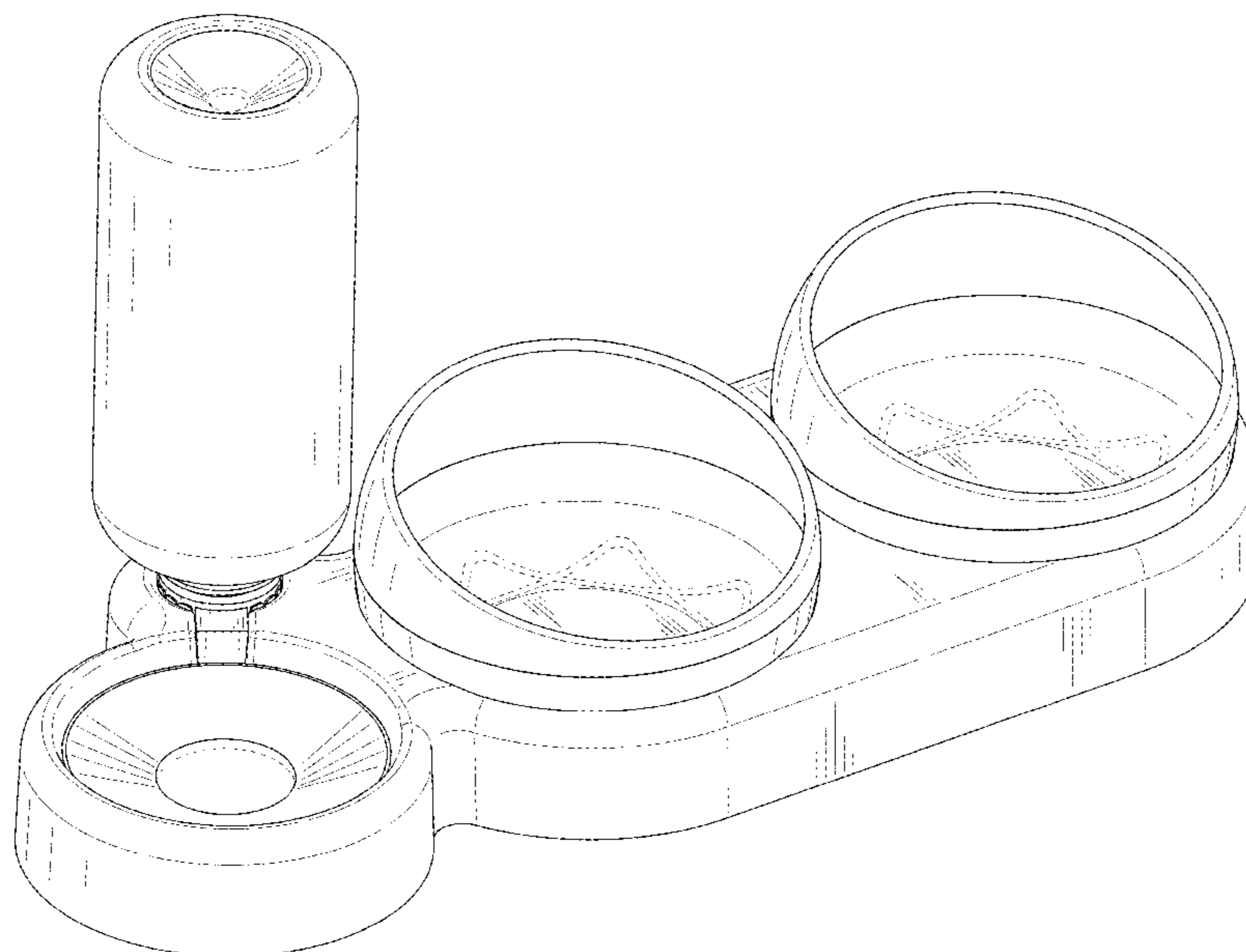
FIG. 1 is a perspective view of a cat feeder showing my new design;  
FIG. 2 is another perspective view thereof;  
FIG. 3 is a front elevational view thereof;  
FIG. 4 is a rear elevational view thereof;  
FIG. 5 is a left side elevational view thereof;  
FIG. 6 is a right side elevational view thereof;  
FIG. 7 is a top plan view thereof; and,  
FIG. 8 is a bottom plan view thereof.  
The broken lines in the drawings depict portions of the cat feeder that form no part of the claimed design.

(56) **References Cited**

U.S. PATENT DOCUMENTS

|                   |         |                  |                     |
|-------------------|---------|------------------|---------------------|
| D374,109 S *      | 9/1996  | Lillelund .....  | D30/121             |
| D402,425 S *      | 12/1998 | Lacz .....       | D30/132             |
| D491,697 S *      | 6/2004  | Tsengas .....    | D30/130             |
| D602,653 S *      | 10/2009 | Mendenhall ..... | D30/130             |
| D622,012 S *      | 8/2010  | Lorenzana .....  | D30/129             |
| D623,361 S        | 9/2010  | Man et al.       |                     |
| D758,675 S *      | 6/2016  | Breit .....      | D30/130             |
| D772,493 S        | 11/2016 | Wu               |                     |
| D915,688 S *      | 4/2021  | Fan .....        | D30/131             |
| D921,999 S *      | 6/2021  | Xie .....        | D30/131             |
| 2011/0283948 A1 * | 11/2011 | Wong .....       | A01K 7/02<br>119/74 |

**1 Claim, 8 Drawing Sheets**



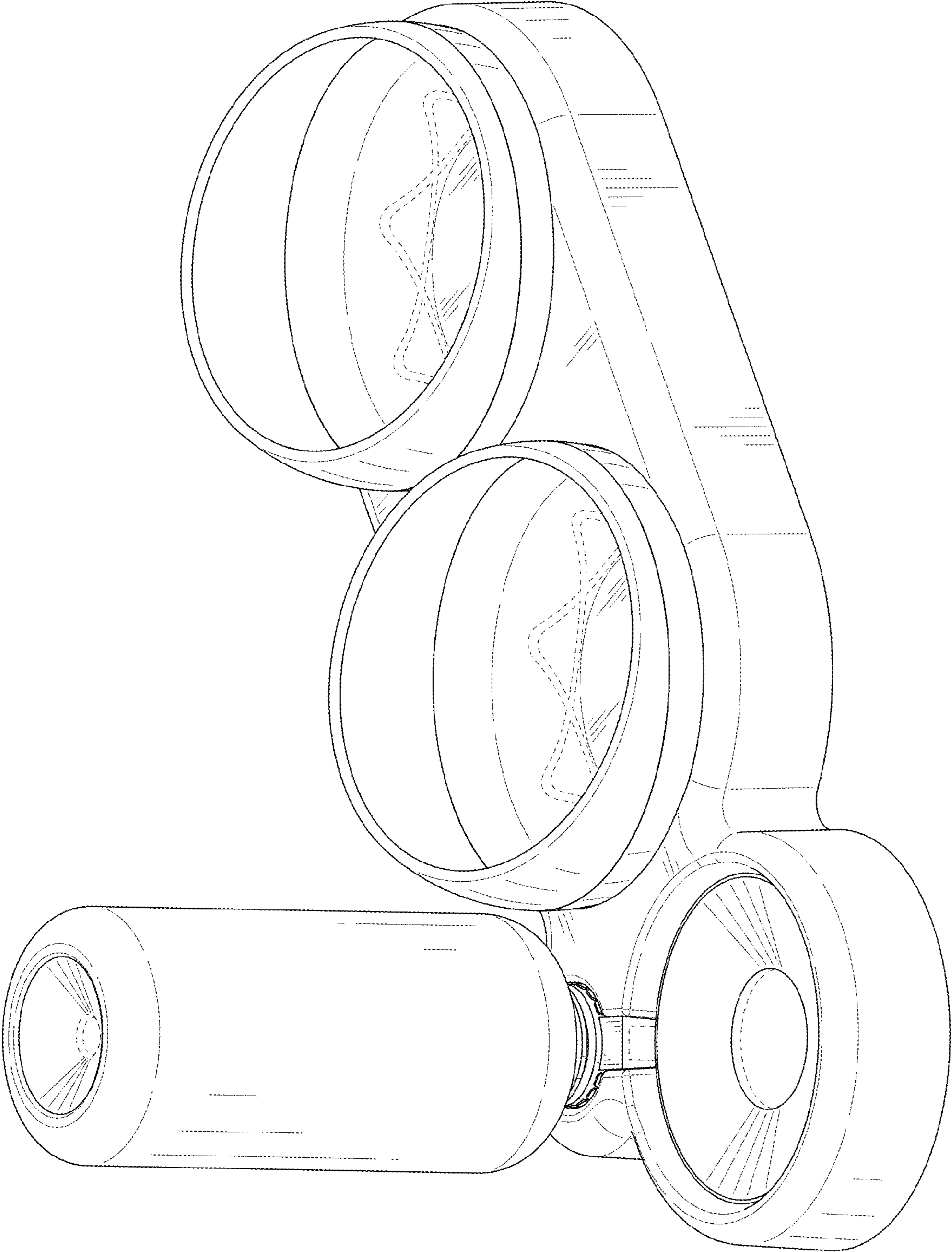


FIG. 1

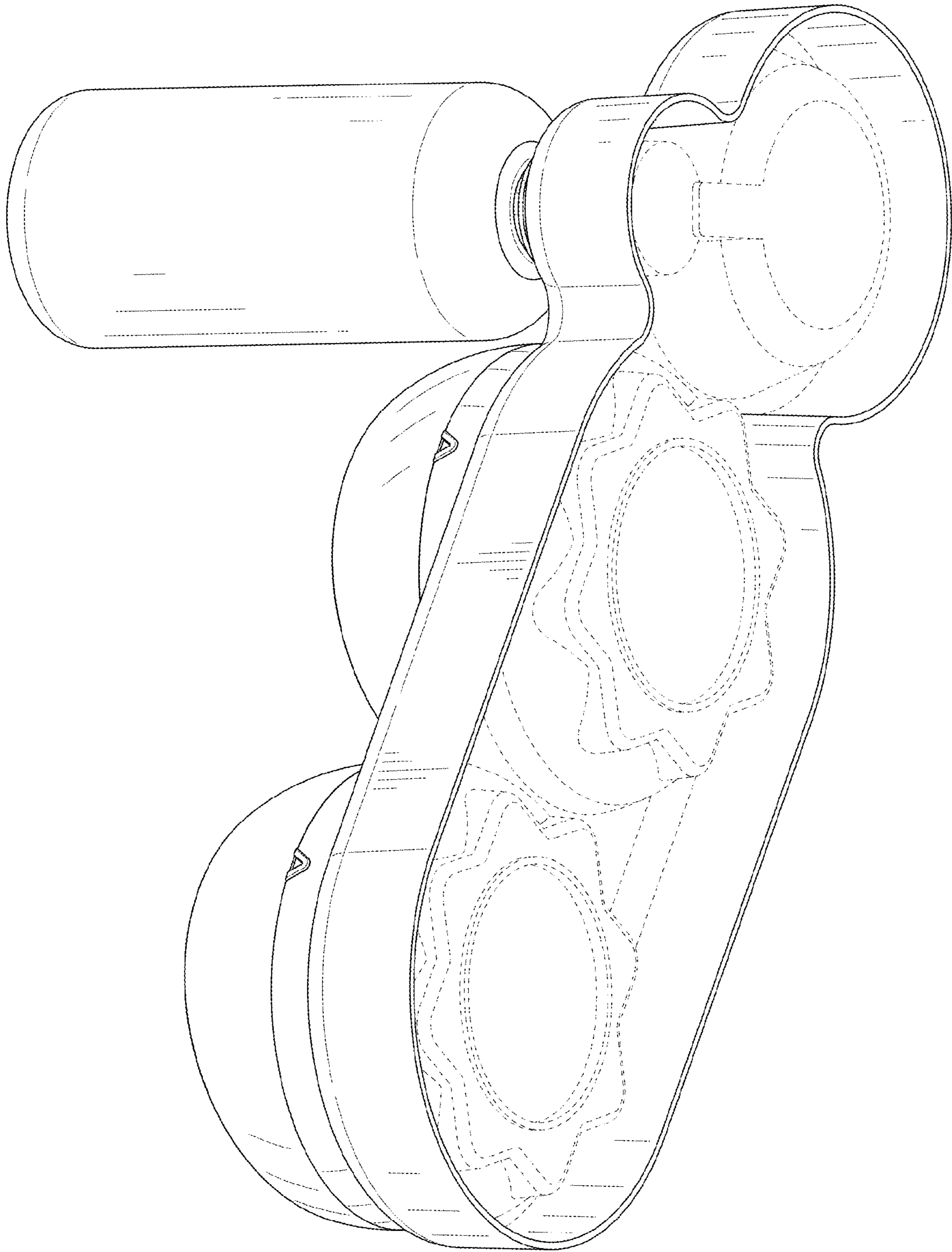


FIG. 2

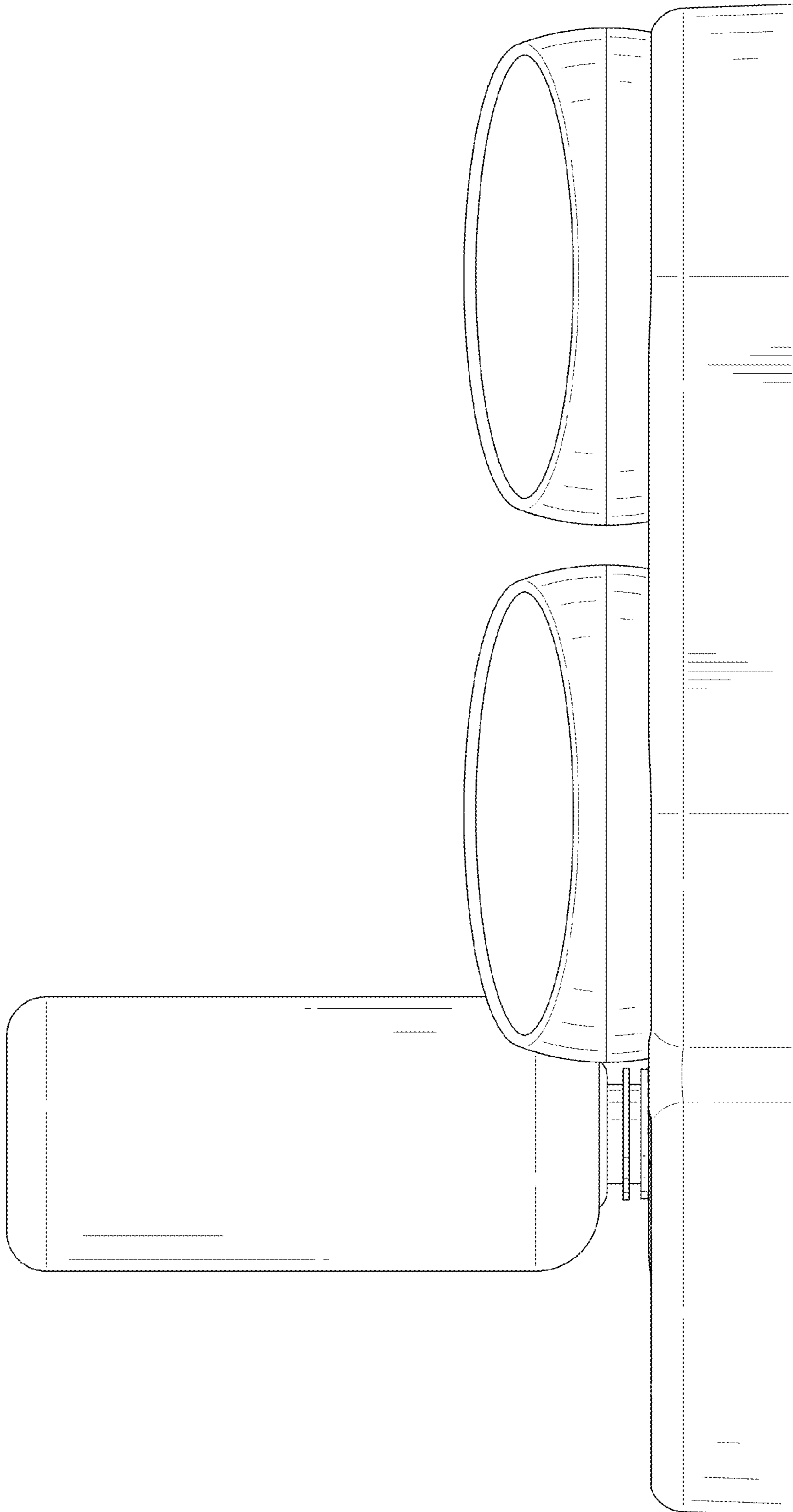


FIG. 3

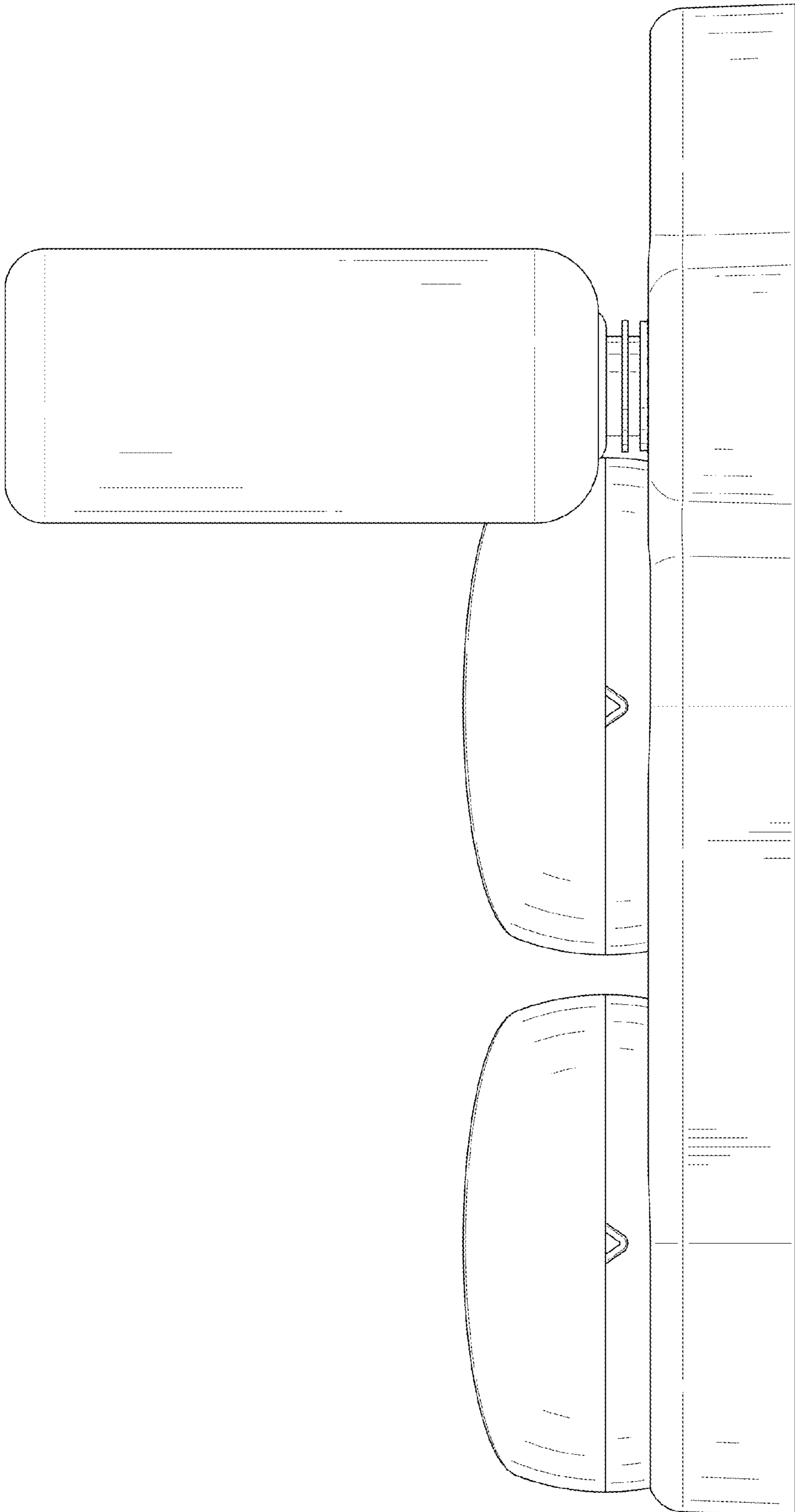


FIG. 4

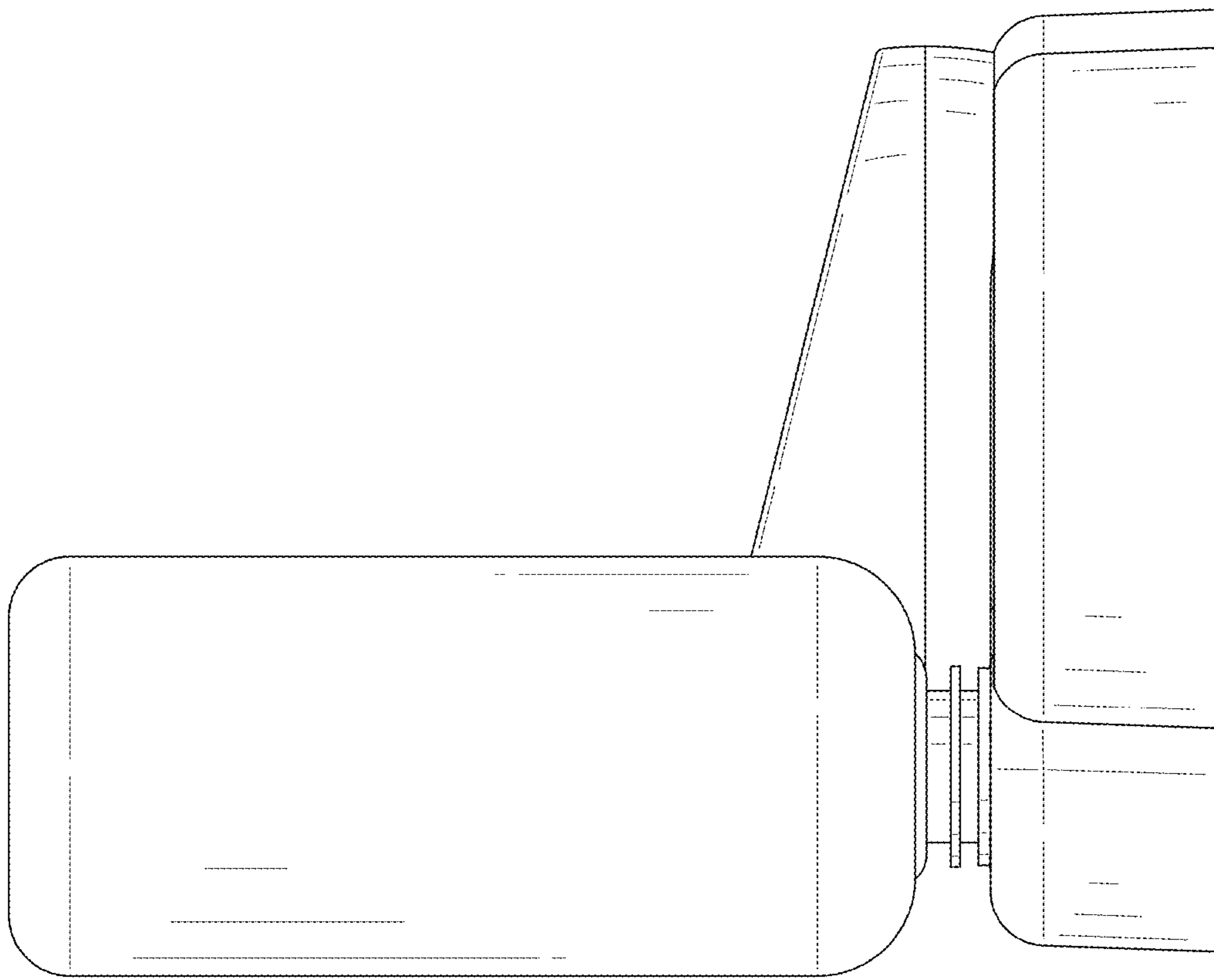


FIG. 5

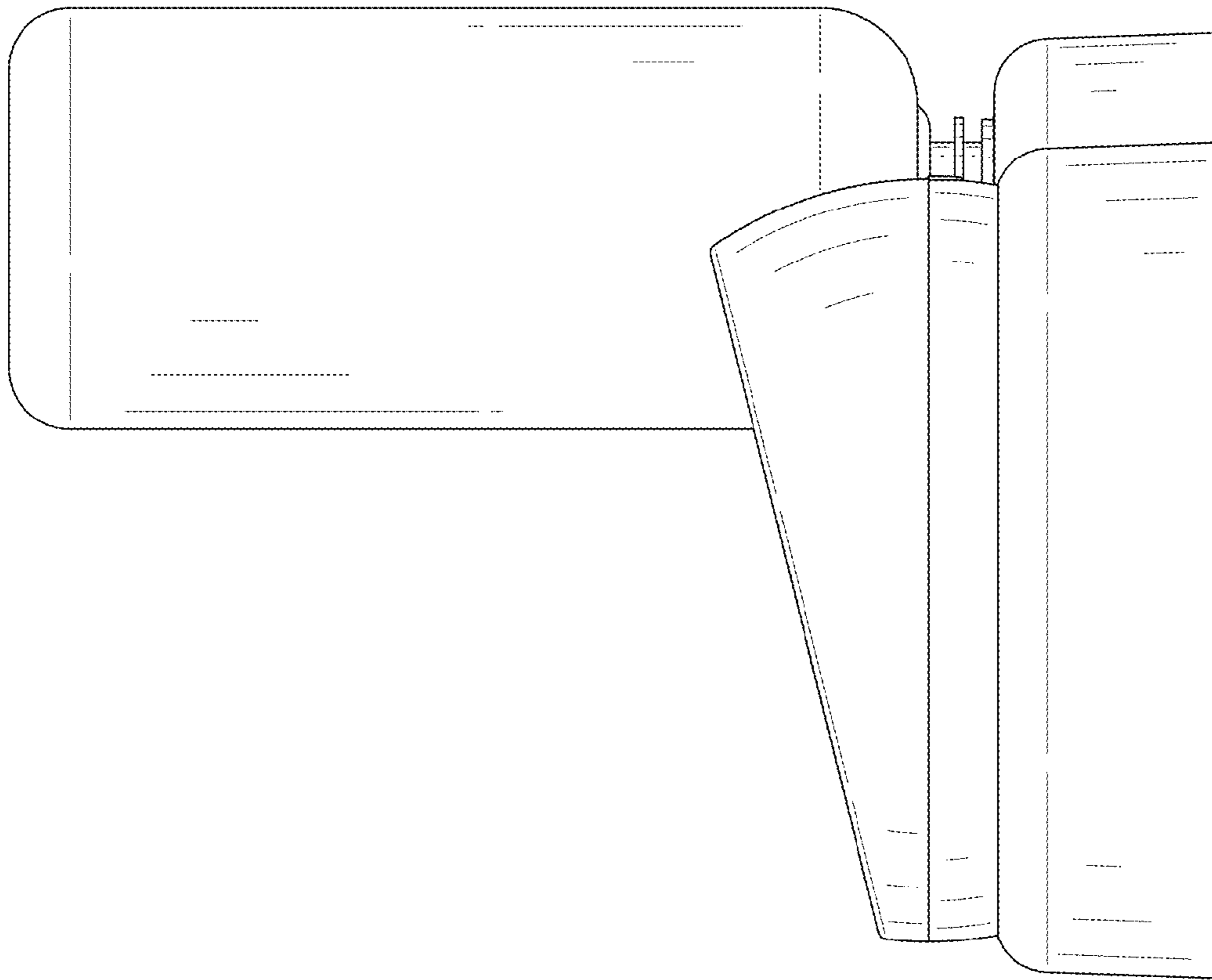


FIG. 6

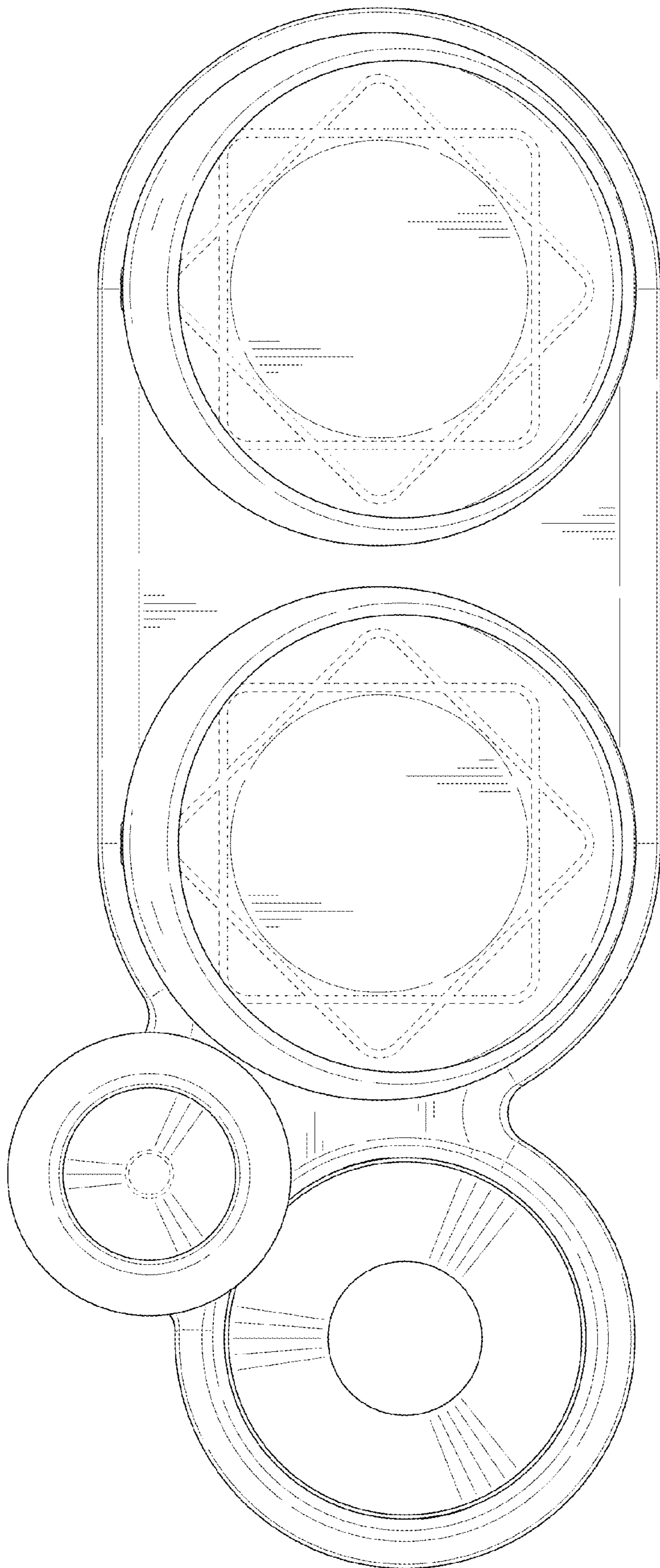


FIG. 7



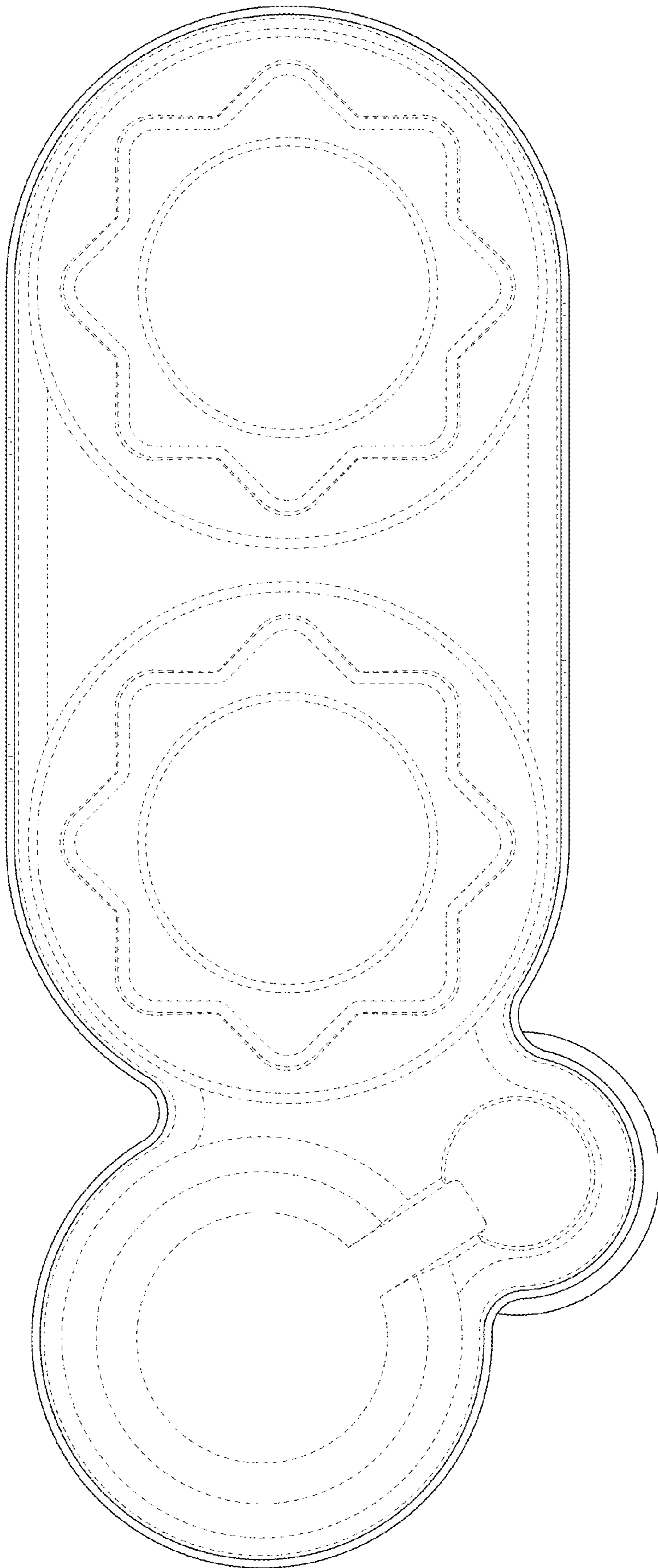


FIG. 8