



US00D954355S

(12) **United States Design Patent**
Mihlbauer et al.

(10) **Patent No.:** **US D954,355 S**
(45) **Date of Patent:** **** Jun. 7, 2022**

(54) **ANIMAL HABITAT**

(71) Applicant: **CENTRAL GARDEN & PET COMPANY**, Walnut Creek, CA (US)

(72) Inventors: **Brad L. Mihlbauer**, Mukwonago, WI (US); **Ryan T. McVeigh**, Wheeling, IL (US); **Alexander S. Chirban**, Wauwatosa, WI (US)

(73) Assignee: **CENTRAL GARDEN & PET COMPANY**, Walnut Creek, CA (US)

(**) Term: **15 Years**

(21) Appl. No.: **29/726,034**

(22) Filed: **Feb. 28, 2020**

(51) **LOC (13) Cl.** **30-02**

(52) **U.S. Cl.**
USPC **D30/108**

(58) **Field of Classification Search**
USPC D30/108-120, 160, 101-107
CPC A01K 1/00; A01K 1/0272; A01K 1/03;
A01K 63/00; A01K 63/003
See application file for complete search history.

(56) **References Cited**

U.S. PATENT DOCUMENTS

3,149,608	A *	9/1964	Murphy	A01K 63/045
					119/253
D233,938	S *	12/1974	Shalom	D30/101
5,000,118	A *	3/1991	Merritt	A01K 63/003
					119/246
6,054,146	A *	4/2000	Ballard	A01K 61/85
					426/2
D424,249	S *	5/2000	Banzaca	D30/119
D683,080	S *	5/2013	Snow	D30/108
D704,382	S *	5/2014	Wu	D30/101
D879,386	S *	3/2020	Lin	D30/101
D889,047	S *	6/2020	Kapaun	D30/101

D894,496	S *	8/2020	Hutchinson	D30/108
D927,090	S *	8/2021	Hobbs, Jr.	D30/119
D928,421	S *	8/2021	Jakubowski	D30/119
D930,277	S *	9/2021	Huthmaker	D30/119

OTHER PUBLICATIONS

33 Gallon Terrarium, posted at wayfair.com, earliest date reviewed on Dec. 30, 2020, [online], acquired on Sep. 11, 2021, Available on internet. Url:https://www.wayfair.com/pet/pdp/reptizoo-33-gallons-terrarium-rptz1030.html (Year: 2020).*

64 Gallon Terrarium, posted at wayfair.com, earliest date reviewed on Dec. 30, 2020, [online], acquired on Sep. 11, 2021, Available on internet. Url:https://www.wayfair.com/pet/pdp/reptizoo-64-gallon-terrarium-rptz1004.html (Year: 2020).*

* cited by examiner

Primary Examiner — Sheryl Lane

Assistant Examiner — Aula Soroush

(74) *Attorney, Agent, or Firm* — Grossman, Tucker, Perreault & Pfeleger, PLLC

(57) **CLAIM**

The ornamental design for an animal habitat, as shown and described.

DESCRIPTION

FIG. 1 is a perspective view of an animal habitat of the present invention;

FIG. 2 is a close up view of the latching mechanism circled in FIG. 1;

FIG. 3 is a front view thereof;

FIG. 4 is a rear view thereof;

FIG. 5 is a side view thereof;

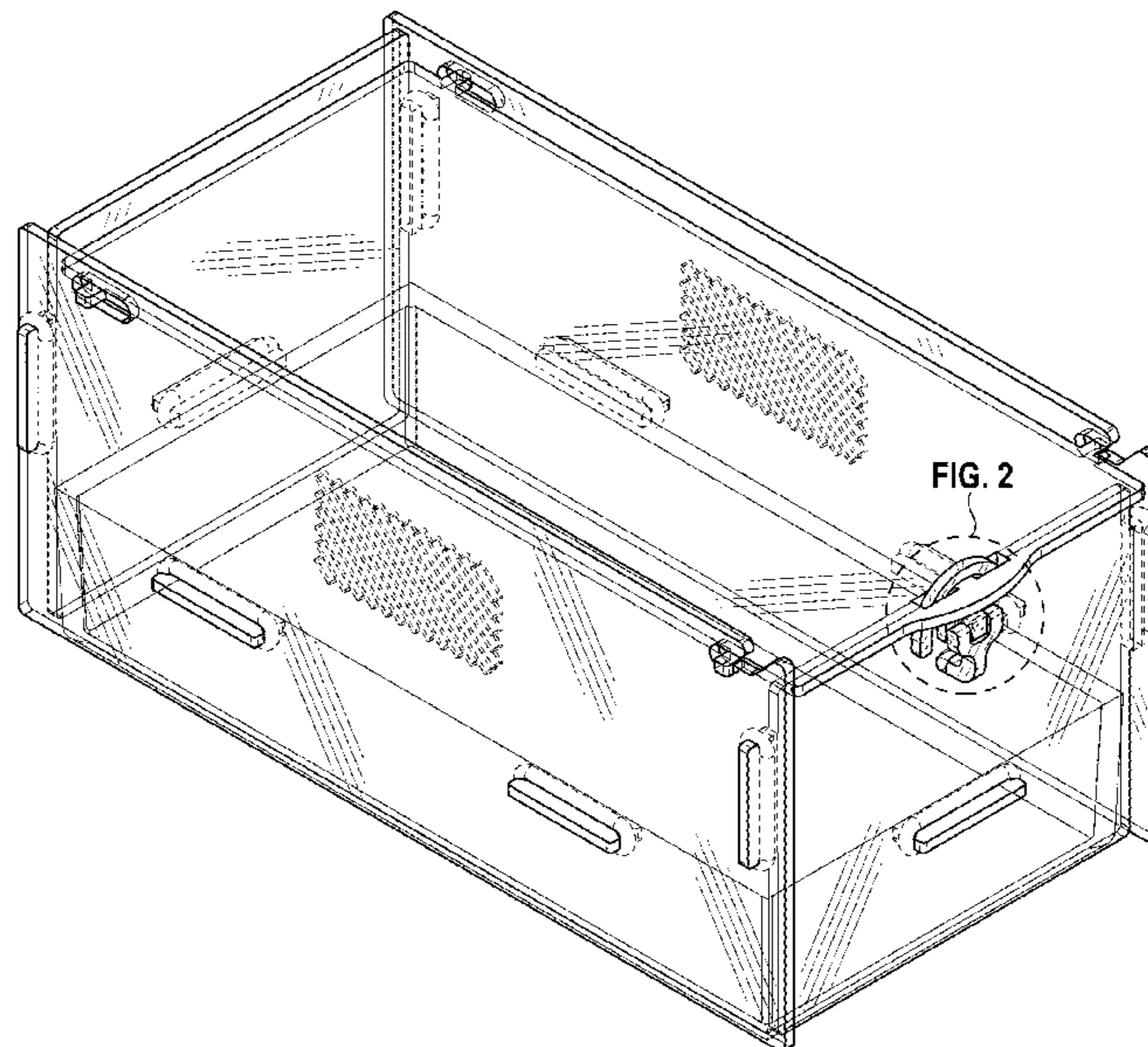
FIG. 6 is a side view thereof;

FIG. 7 is a top view thereof; and,

FIG. 8 is a bottom view thereof.

Portions of the animal habitat shown in broken lines in FIGS. 1-8 form no part of the claimed design.

1 Claim, 6 Drawing Sheets



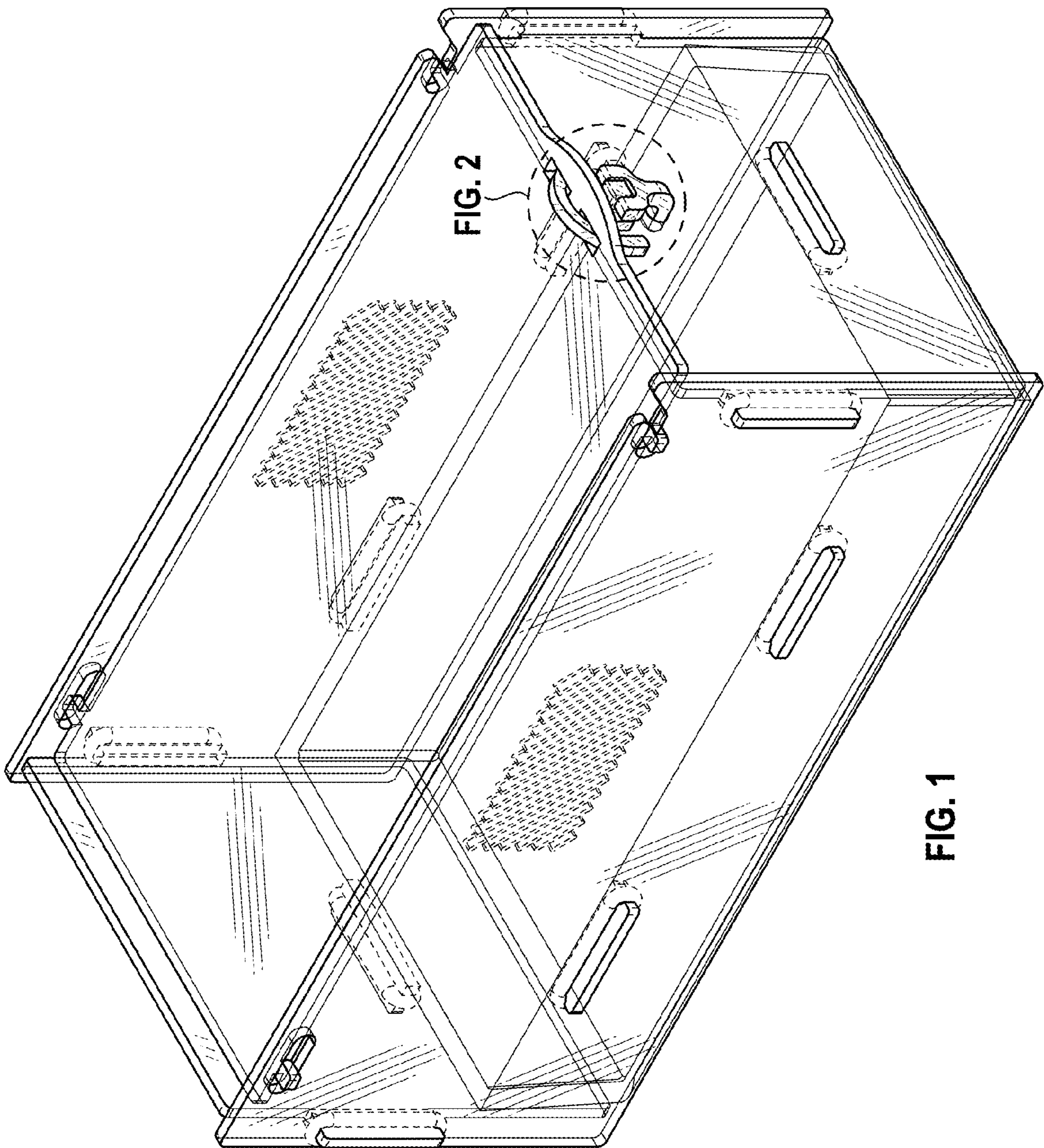


FIG. 1

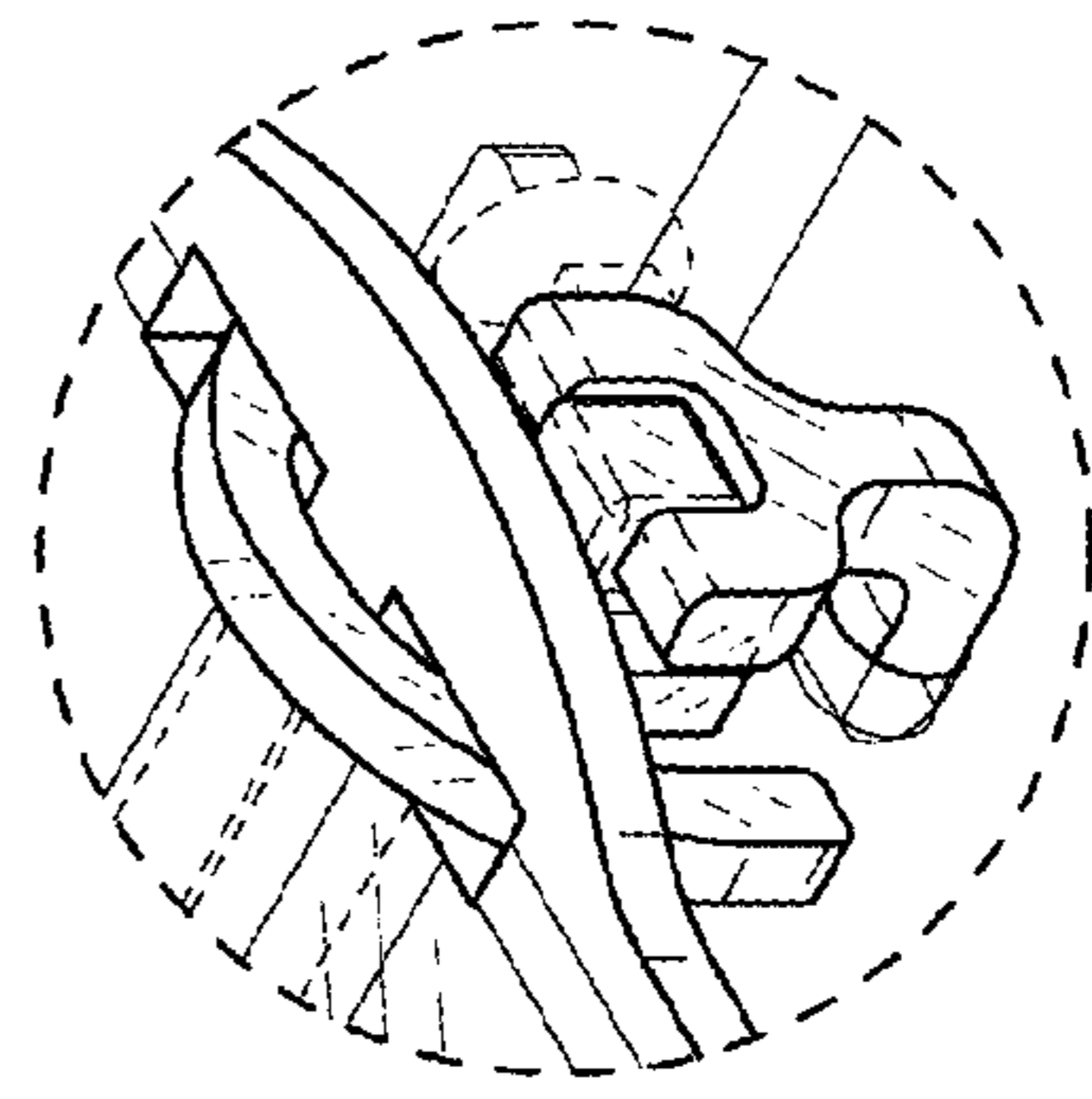


FIG. 2

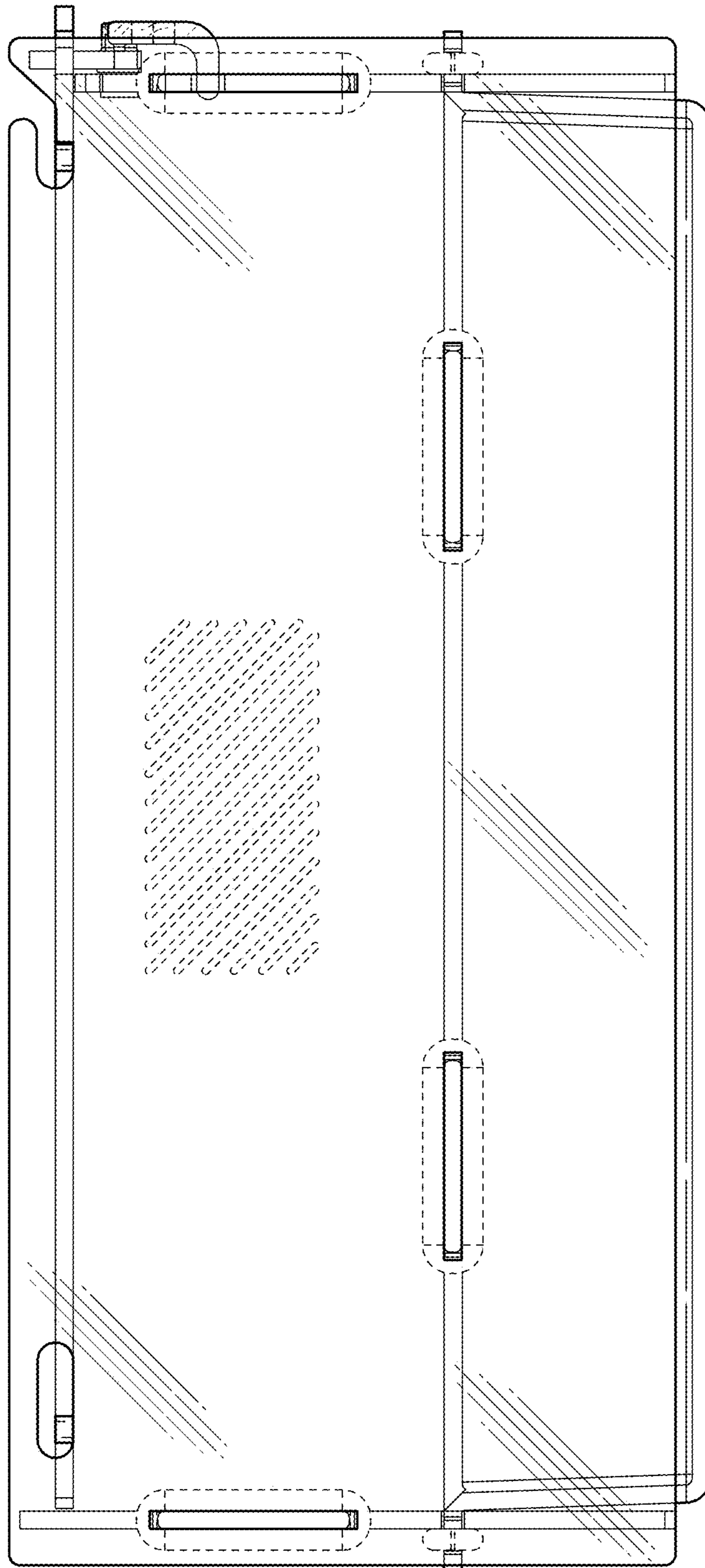


FIG. 3

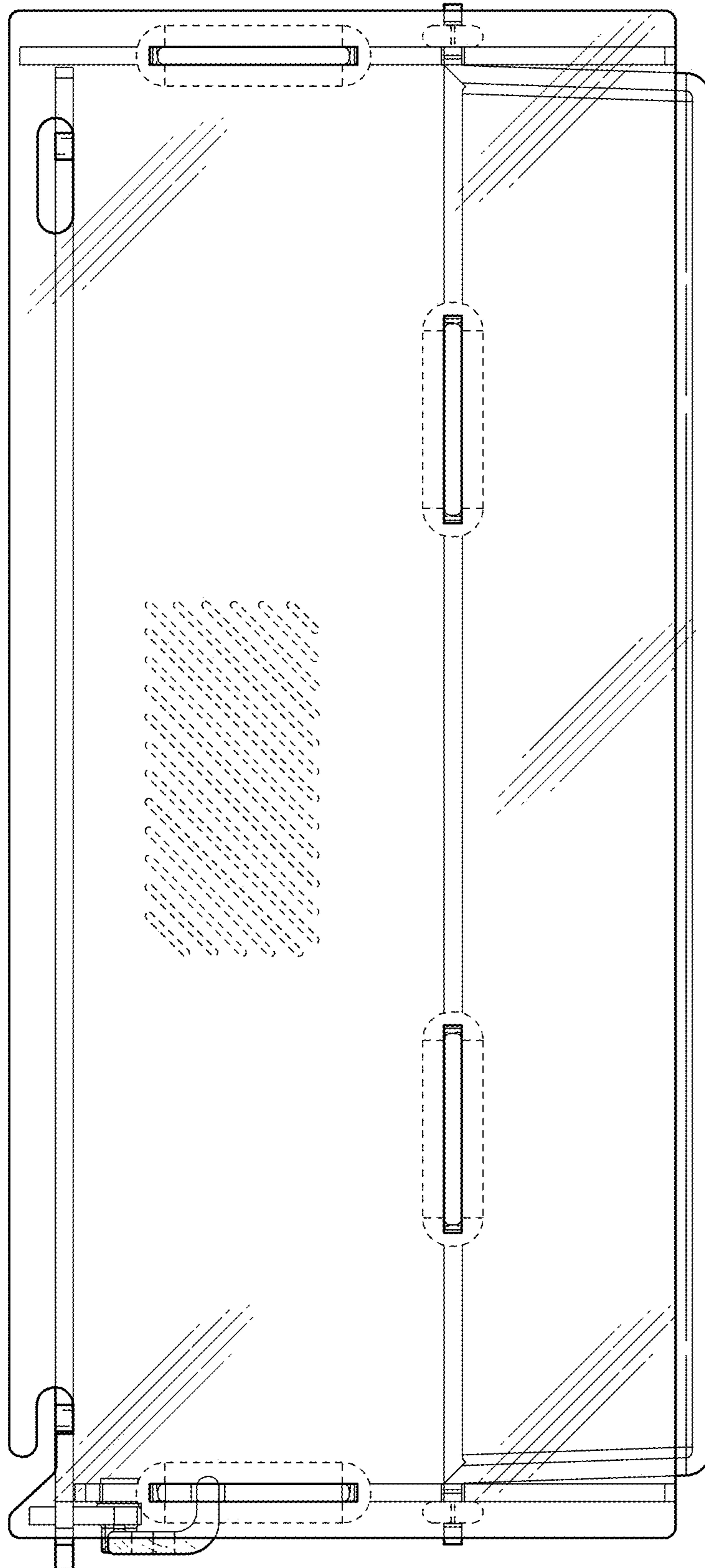


FIG. 4

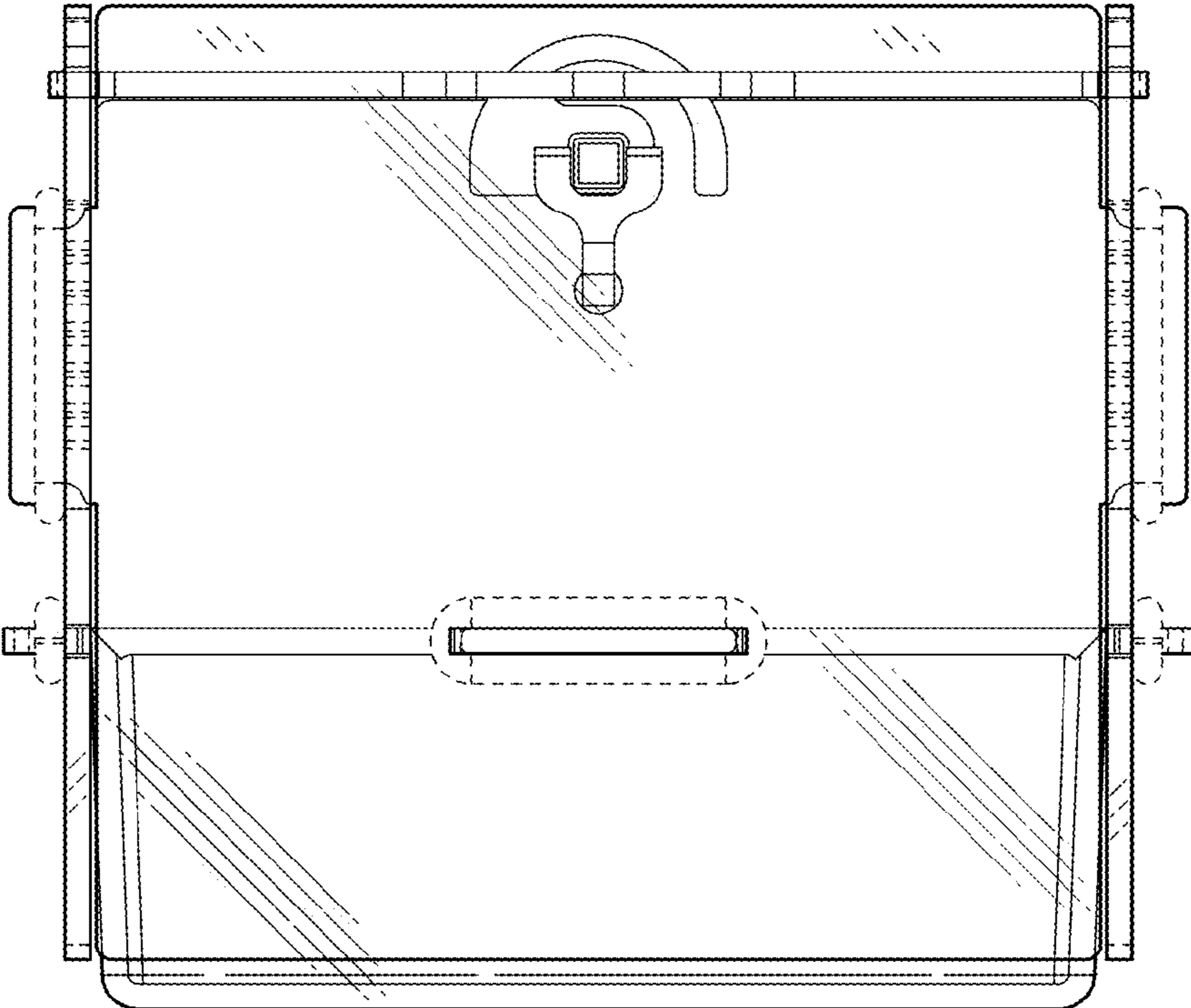


FIG. 5

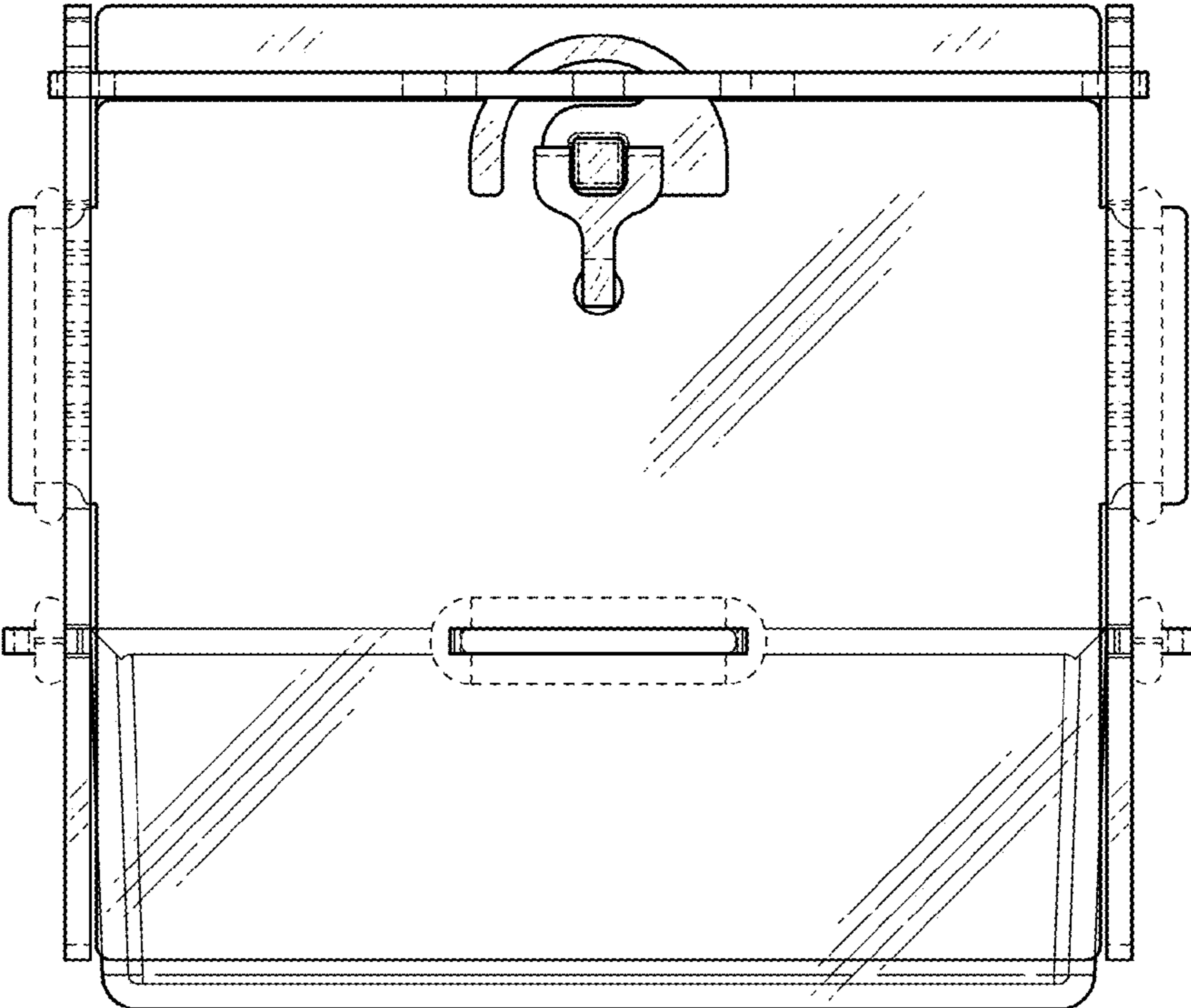


FIG. 6

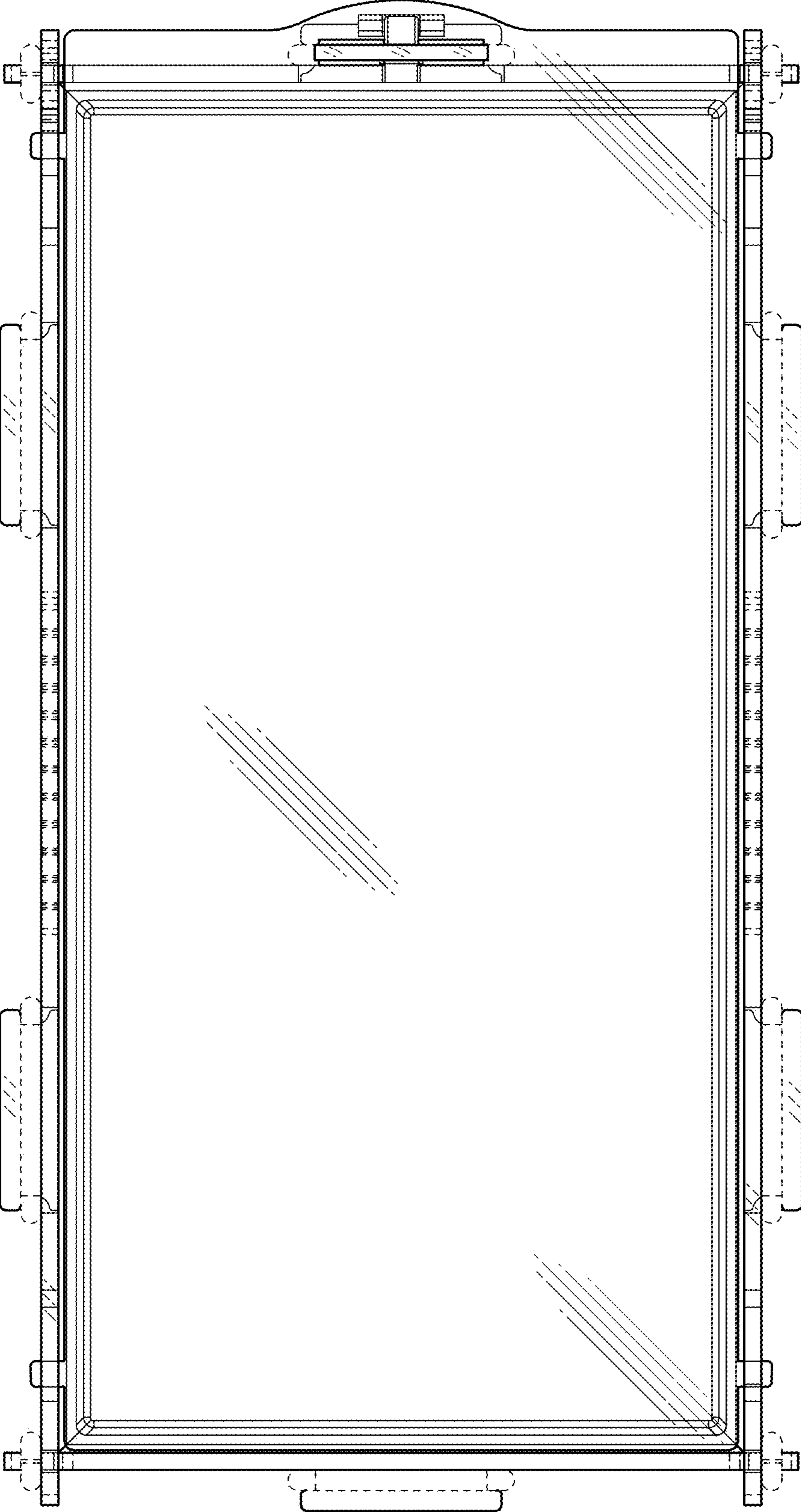


FIG. 7

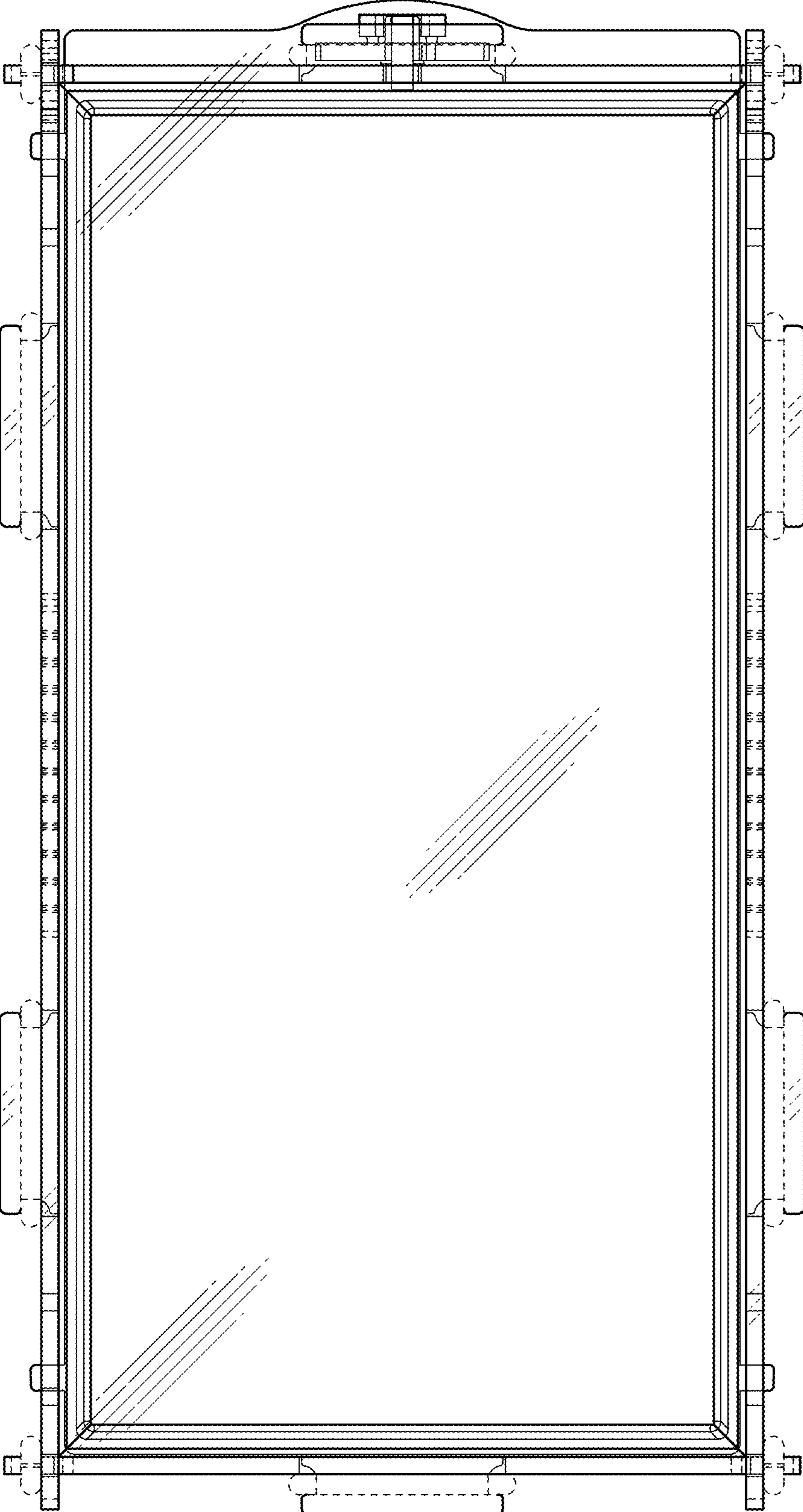


FIG. 8