



US00D954354S

(12) **United States Design Patent**
Chang

(10) **Patent No.:** **US D954,354 S**
(45) **Date of Patent:** **** Jun. 7, 2022**

- (54) **AQUAPONICS FISH TANK**
- (71) Applicant: **Mytek International Inc.**, Bonita, CA (US)
- (72) Inventor: **Liang-Chi Chang**, New Taipei (TW)
- (73) Assignee: **MYTEK INTERNATIONAL INC.**, Bonita, CA (US)

(**) Term: **15 Years**

(21) Appl. No.: **29/753,670**

(22) Filed: **Oct. 1, 2020**

(51) **LOC (13) Cl.** **30-02**

(52) **U.S. Cl.**
USPC **D30/101**

(58) **Field of Classification Search**
USPC D30/101-107; D11/144-145
CPC A01K 63/00; A01K 63/003; A01K 63/06;
A01K 63/006

See application file for complete search history.

(56) **References Cited**

U.S. PATENT DOCUMENTS

- 3,693,591 A * 9/1972 Stasio A01K 61/70
119/245
- D271,387 S * 11/1983 Lentz D30/101
- D357,644 S * 4/1995 Pedersen D30/101
- D371,088 S * 6/1996 Vollick D30/101
- 9,420,768 B2 * 8/2016 Kasner A01K 63/003

- 9,426,494 B2 8/2016 Epstein et al.
- 9,775,330 B1 10/2017 Chen
- 2015/0334996 A1* 11/2015 Licamele A01K 63/06
119/246

* cited by examiner

Primary Examiner — Wan Laymon
(74) *Attorney, Agent, or Firm* — Bacon & Thomas, PLLC

(57) **CLAIM**

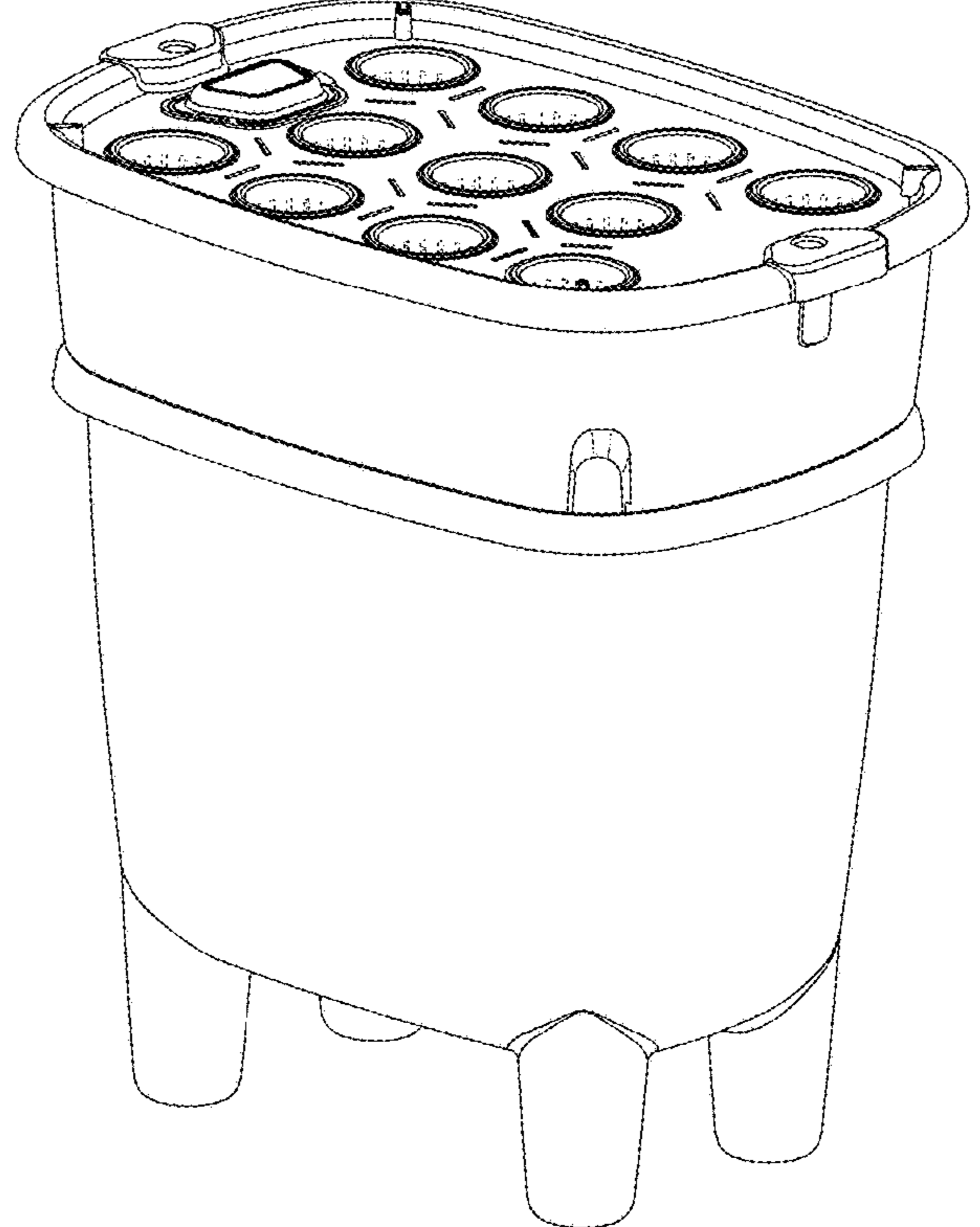
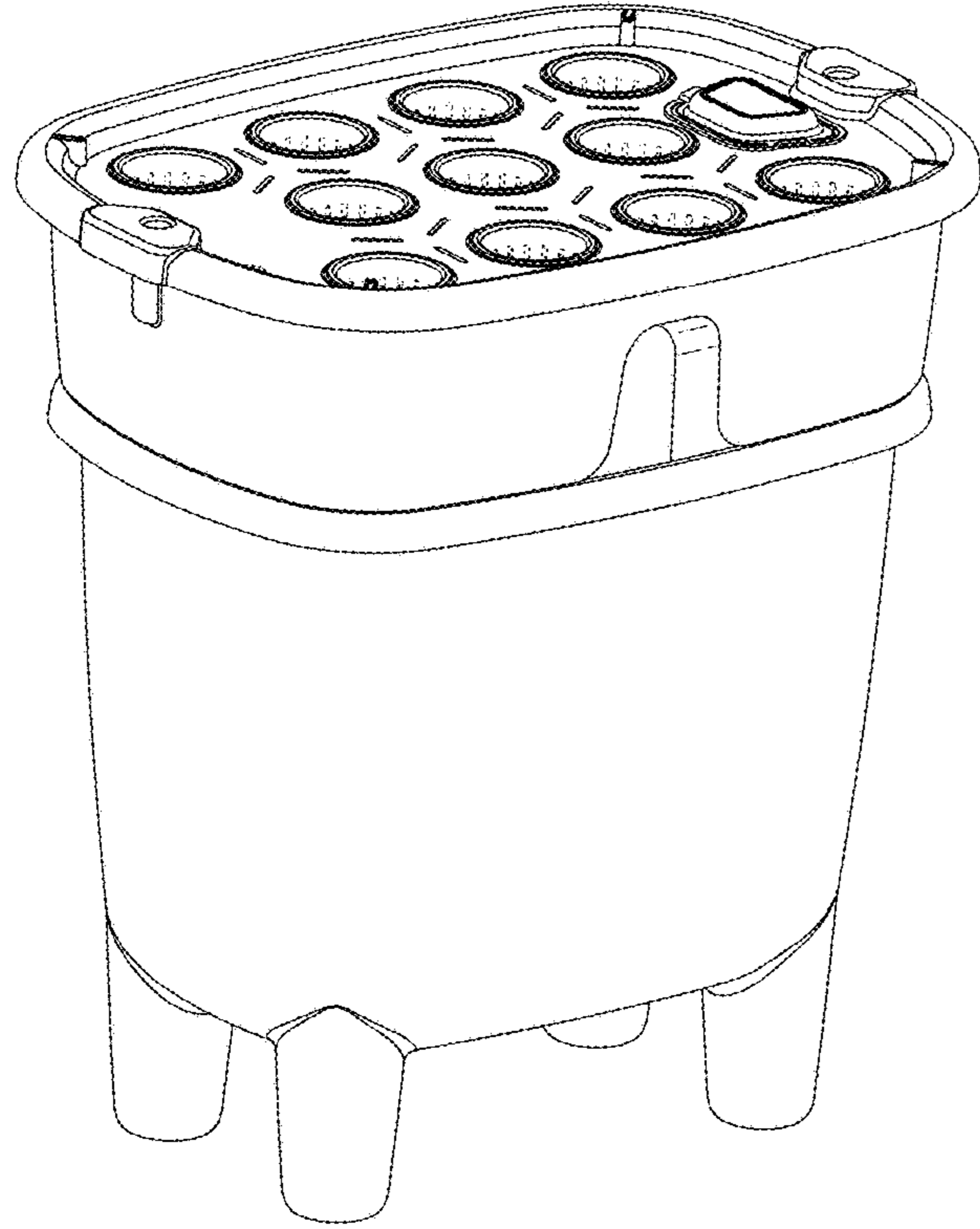
The ornamental design for an aquaponics fish tank, as shown and described.

DESCRIPTION

FIG. 1 is a reduced top, front, left perspective view of an aquaponics fish tank showing my new design; FIG. 2 is a front elevational view thereof; FIG. 3 is a rear elevational view thereof; FIG. 4 is a left side elevational view thereof; FIG. 5 is a right side elevational view thereof; FIG. 6 is a top plan view thereof; FIG. 7 is a bottom plan view thereof; and, FIG. 8 is a reduced top, rear, right side perspective view therefor.

The broken line in the drawings is included for the purpose of illustrating portions of the aquaponics fish tank and forms no part of the claimed design.

1 Claim, 7 Drawing Sheets



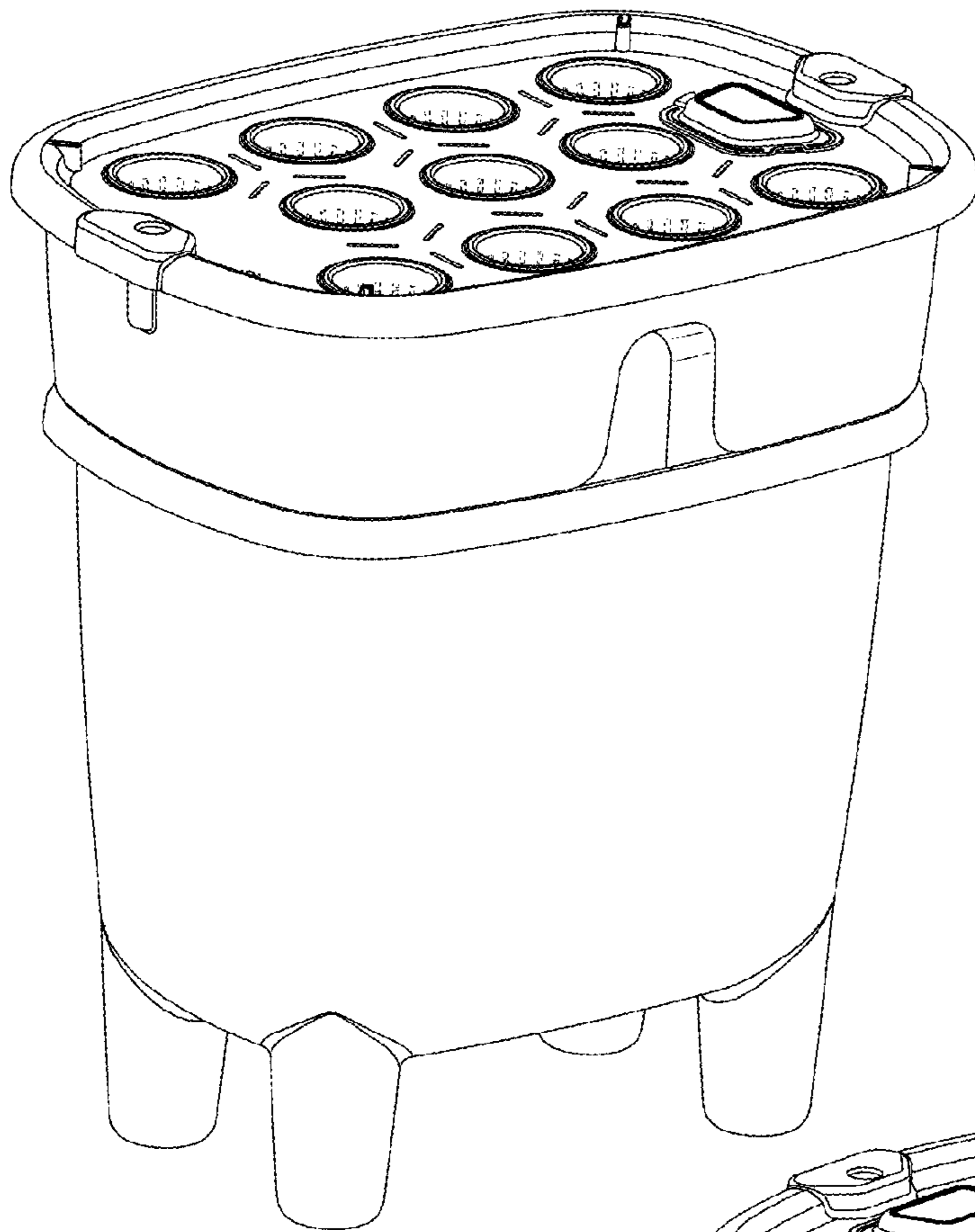


FIG. 1

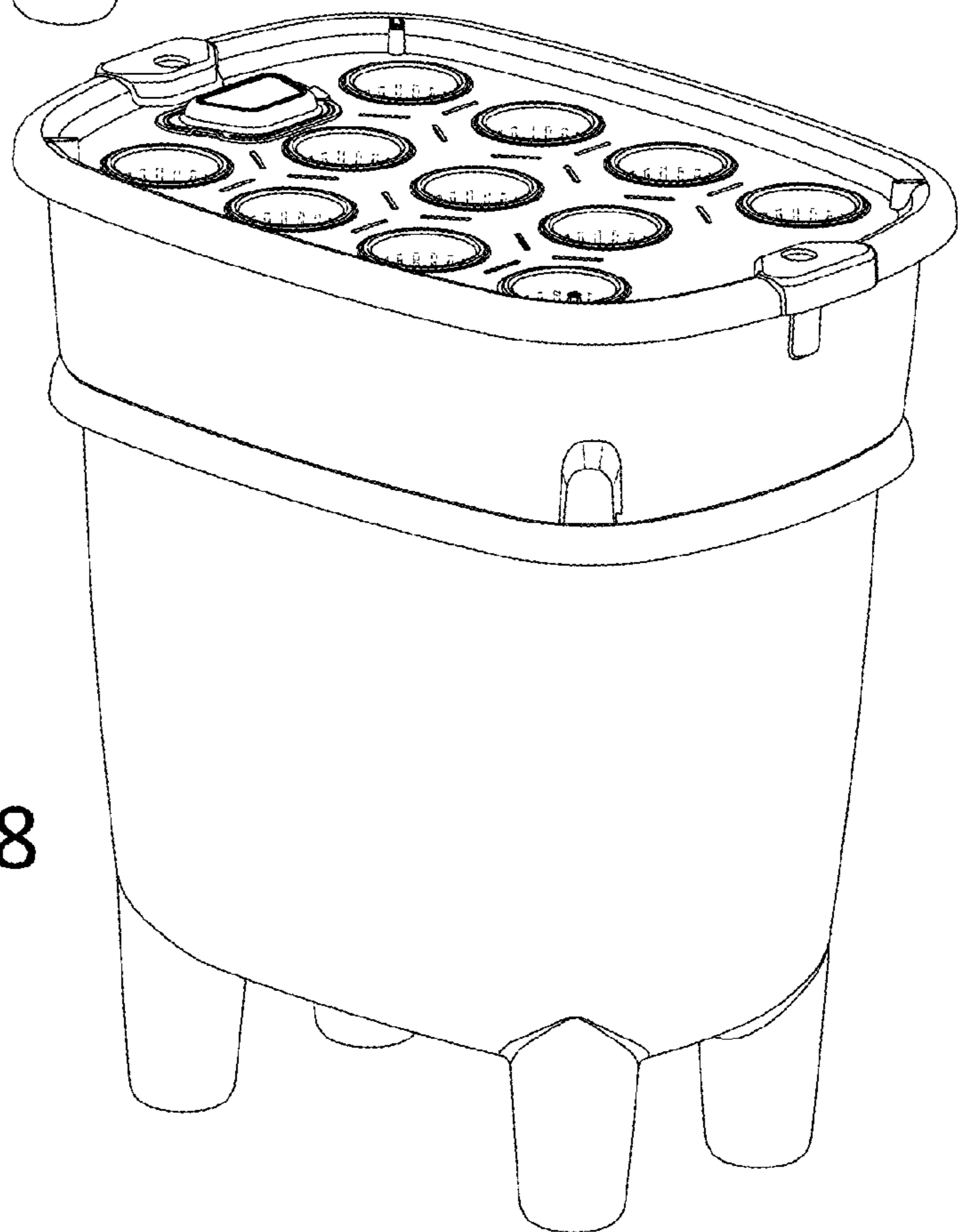


FIG. 8

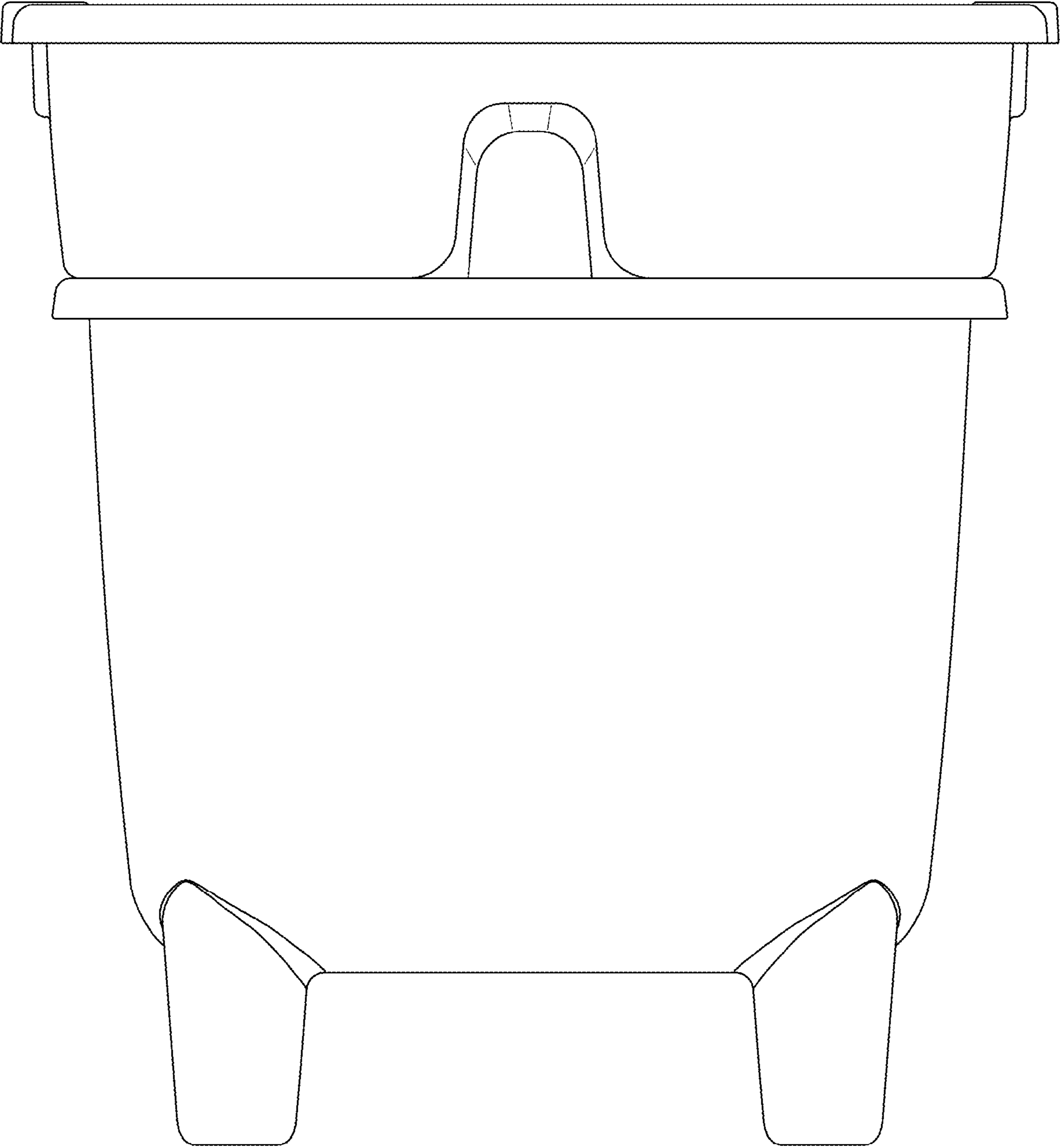


FIG. 2

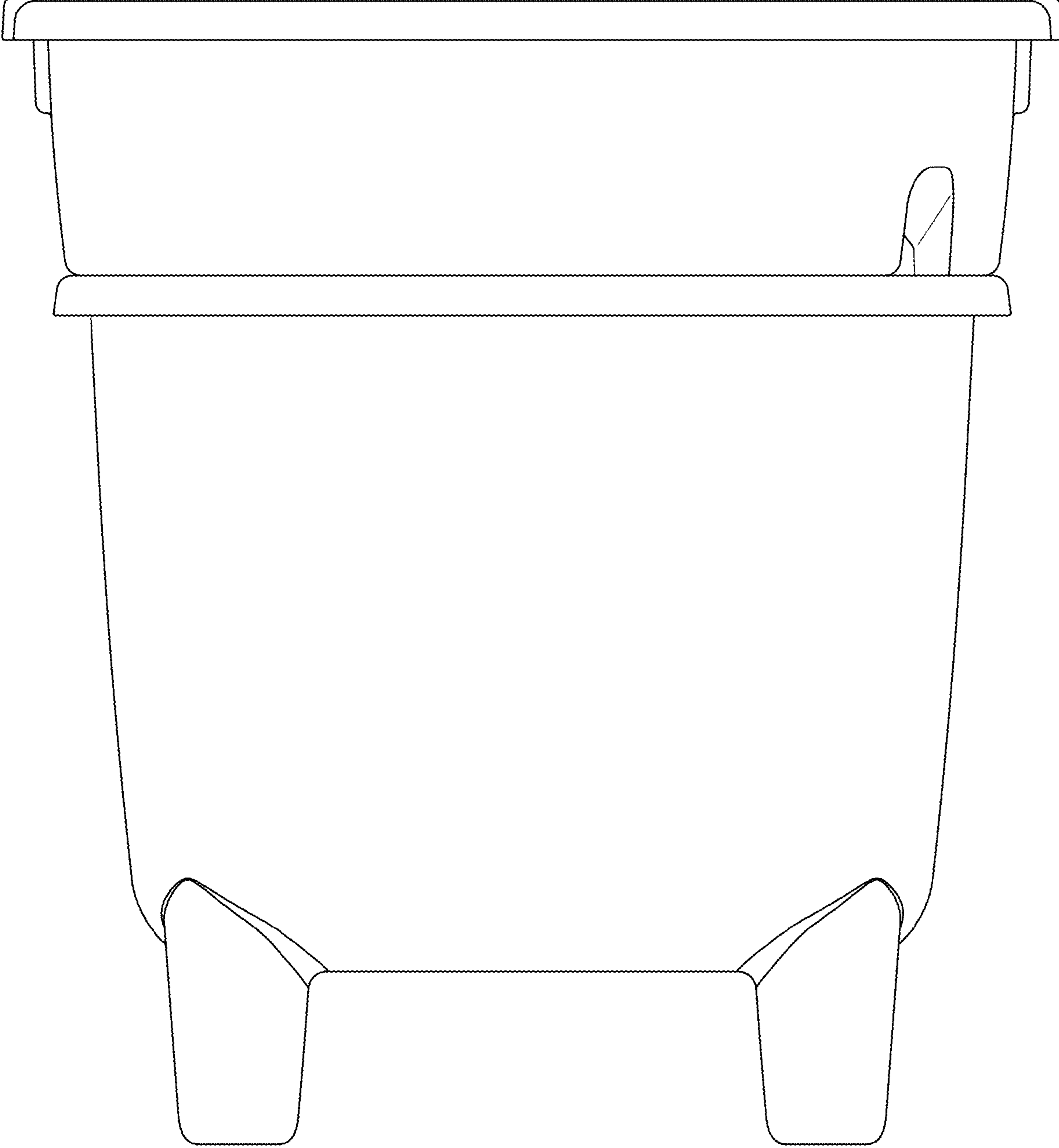


FIG. 3

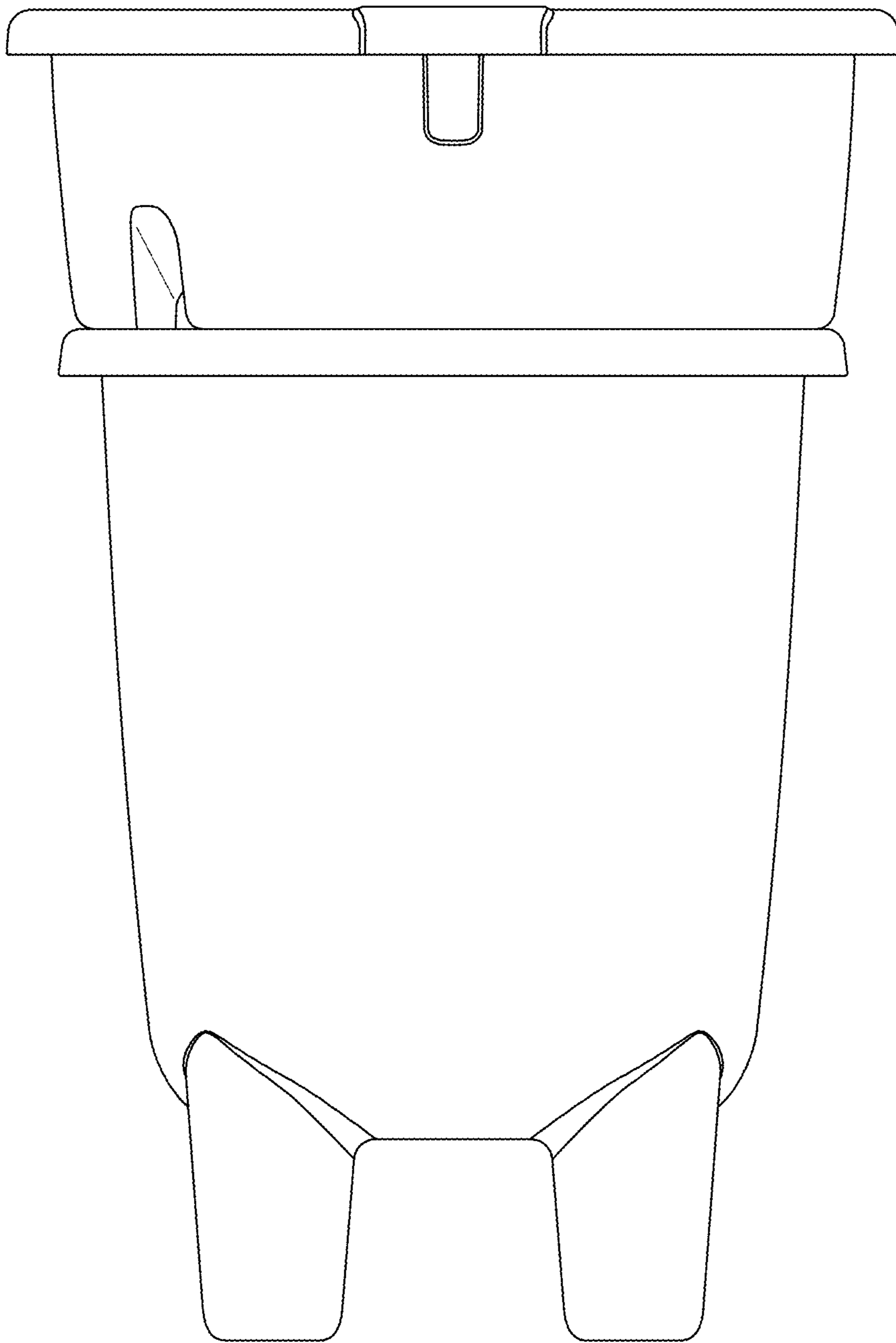


FIG. 4

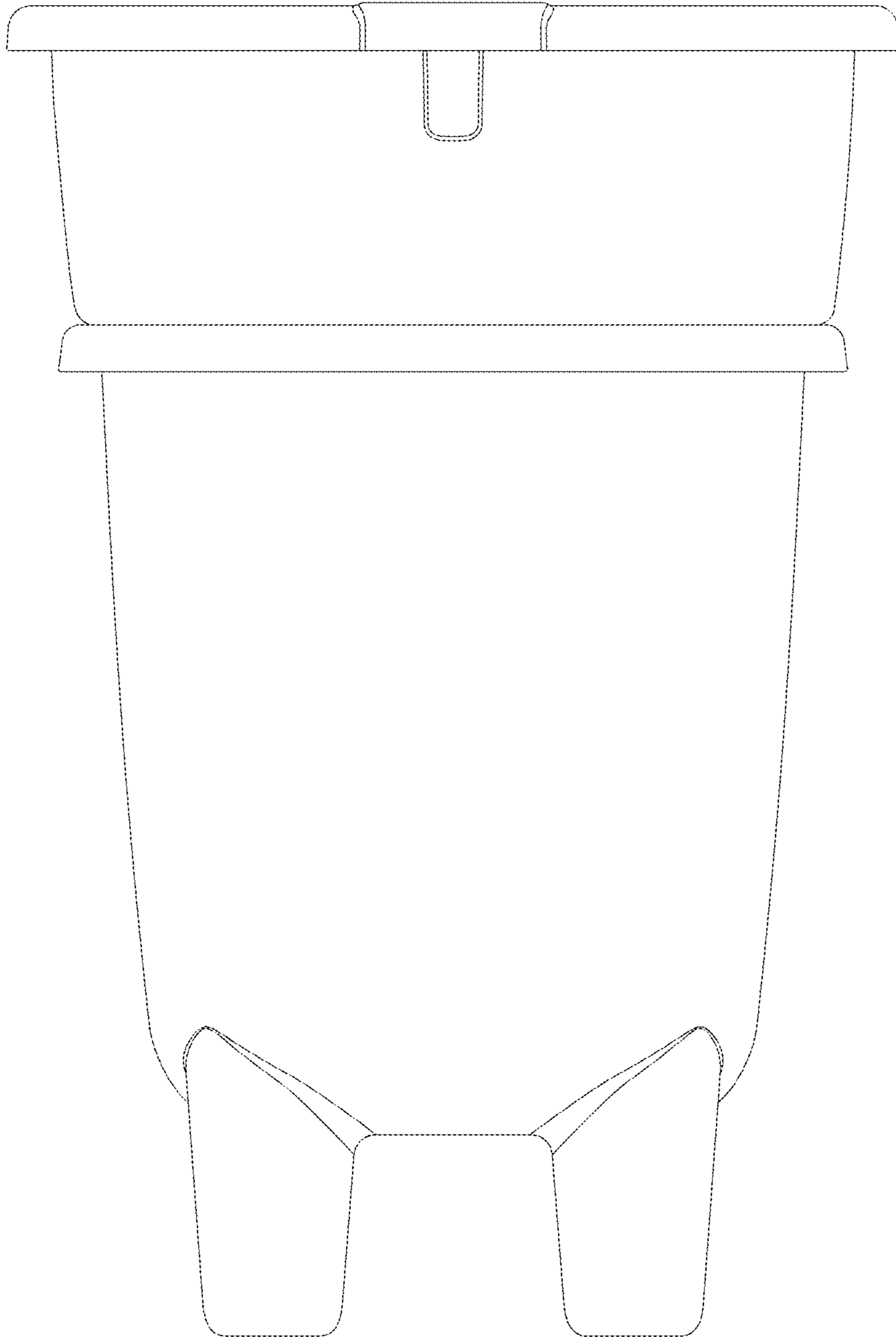


FIG. 5

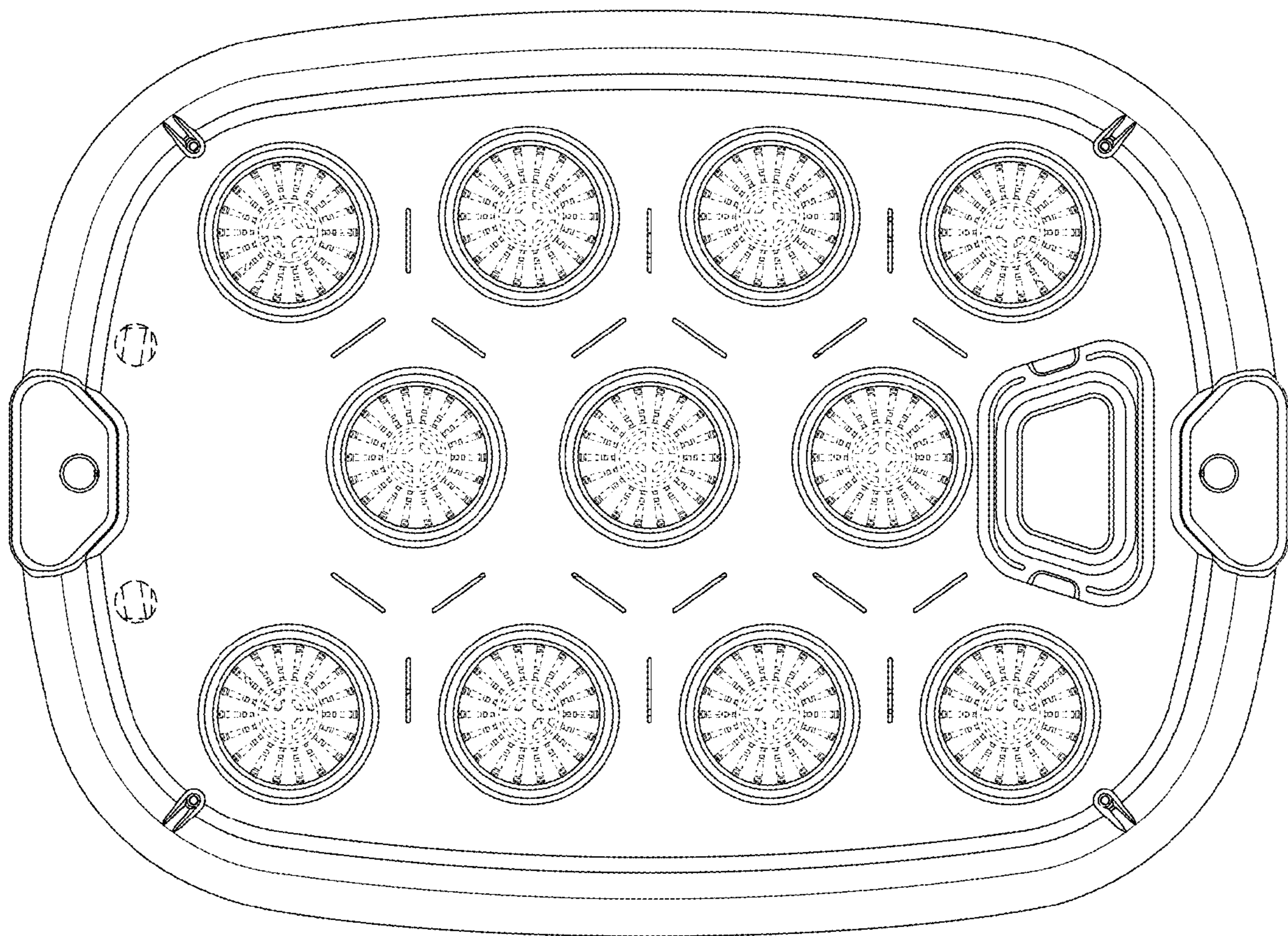


FIG. 6

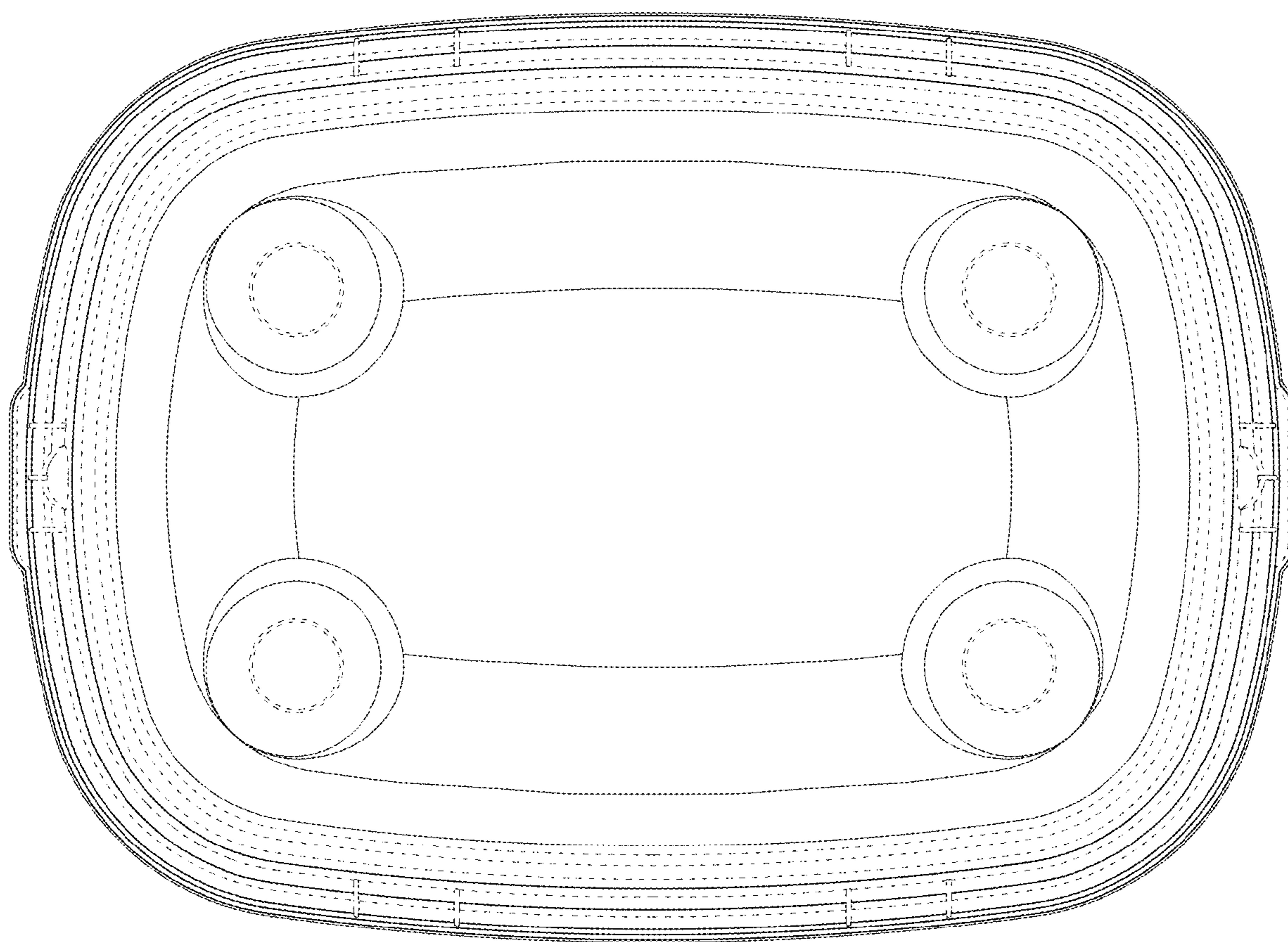


FIG. 7