



US00D954350S

(12) **United States Design Patent**
Zucker

(10) **Patent No.:** **US D954,350 S**

(45) **Date of Patent:** **** *Jun. 7, 2022**

(54) **RAZOR COVER**

(71) Applicant: **Dollar Shave Club Israel, Ltd.**, Beit She'an (IL)

(72) Inventor: **Shlomo Zucker**, Mihmoret (IL)

(73) Assignee: **Dollar Shave Club Israel, Ltd.**, Beit She'an (IL)

(*) Notice: This patent is subject to a terminal disclaimer.

(**) Term: **15 Years**

(21) Appl. No.: **29/771,388**

(22) Filed: **Feb. 22, 2021**

Related U.S. Application Data

(63) Continuation of application No. 29/753,040, filed on Sep. 29, 2020.

(51) **LOC (13) Cl.** **28-03**

(52) **U.S. Cl.**
USPC **D28/47**; D3/205

(58) **Field of Classification Search**
USPC D28/9, 44, 45, 47, 54, 99; D3/205;
D9/737

CPC A45D 27/00; A45D 27/22; A45D 27/24;
A45D 44/00

See application file for complete search history.

(56) **References Cited**

U.S. PATENT DOCUMENTS

D565,289 S * 4/2008 Christie D3/205
D744,744 S * 12/2015 Lee D3/205
D815,960 S * 4/2018 Way D9/737
D826,475 S * 8/2018 Denzinger D28/47
D834,252 S * 11/2018 Denzinger D28/47
D874,062 S * 1/2020 McGarry D28/47

10,899,029 B1 * 1/2021 Atlason A45D 27/22
D913,681 S * 3/2021 Grimsley D3/203.1
D915,672 S * 4/2021 Atlason D28/47
2009/0056151 A1 * 3/2009 Kohring A45D 27/225
30/541
2016/0015147 A1 * 1/2016 Lampard A45D 27/46
206/208

OTHER PUBLICATIONS

Razor Cover, Dollar Shave Club, published on facebook.com on Oct. 12, 2020, retrieved on Nov. 4, 2021, retrieved from the Internet URL: https://m.facebook.com/DollarShaveClub/photos/a.232817753429625/3741165999261432/?type=3&source=57.*

* cited by examiner

Primary Examiner — Jennifer Rivard

Assistant Examiner — Alison M Ofstun

(74) *Attorney, Agent, or Firm* — DLA Piper LLP (US)

(57) **CLAIM**

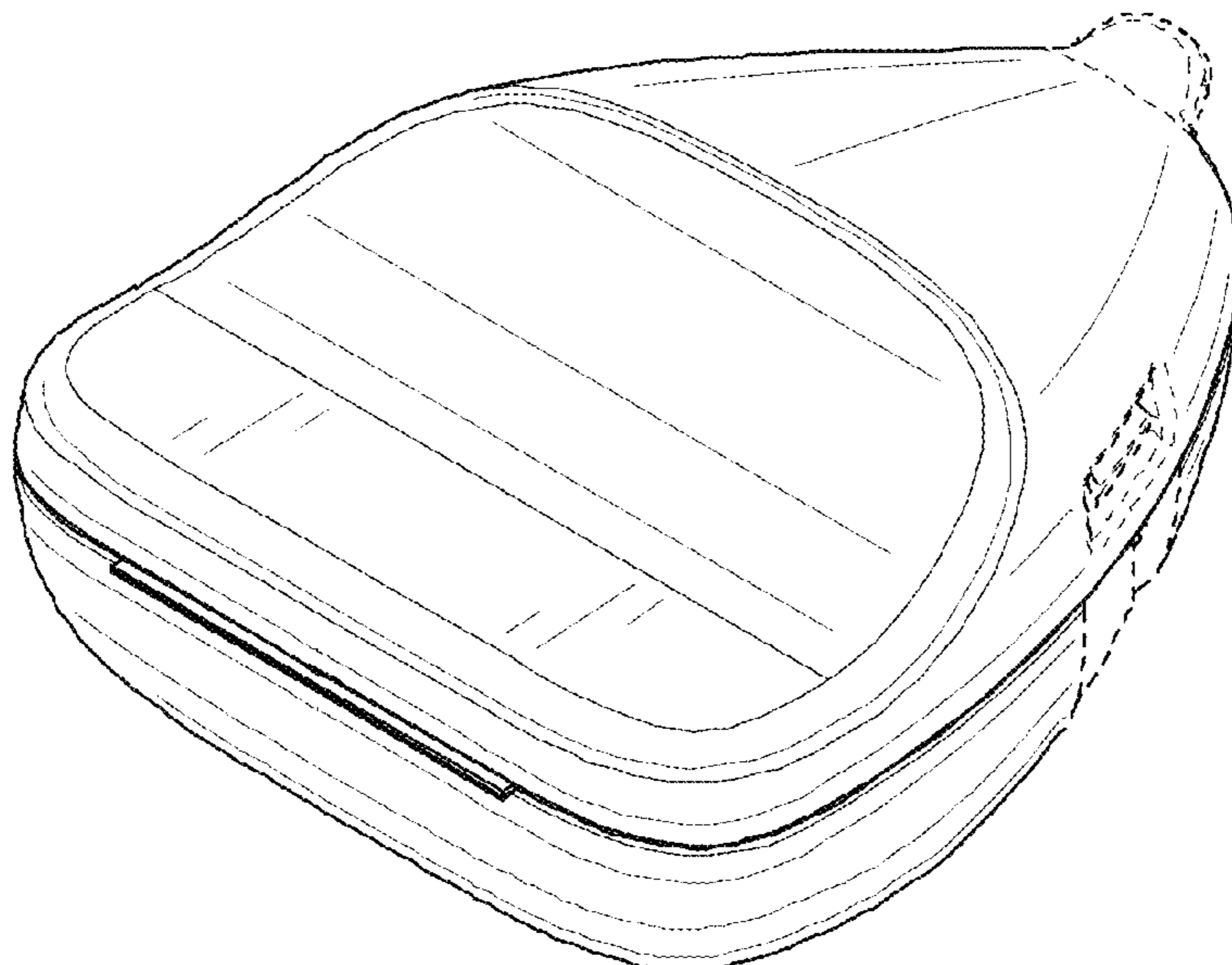
I claim the ornamental design for a razor cover, as shown and described.

DESCRIPTION

FIG. 1 is a front perspective view of a razor cover, showing my new design, shown in a closed position of use; FIG. 2 is a back perspective view thereof; FIG. 3 is a front elevational view thereof; FIG. 4 is a right elevational view thereof; FIG. 5 is a left elevational view thereof; FIG. 6 is a top plan view thereof; FIG. 7 is a bottom plan view thereof; and, FIG. 8 is a perspective view thereof shown in an open position of use.

In the drawings, the broken lines illustrate portions of the razor cover that form no part of the claimed design.

1 Claim, 5 Drawing Sheets



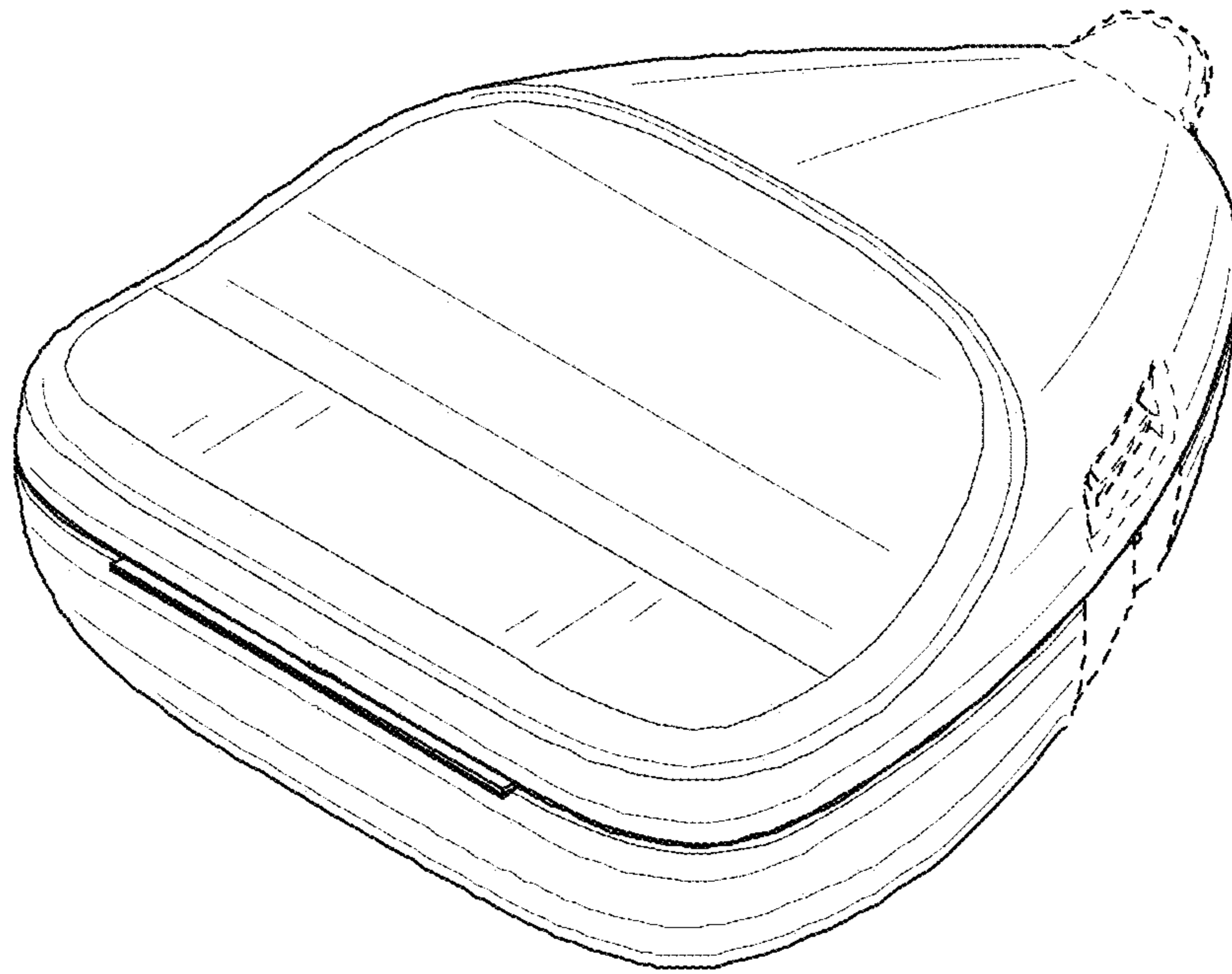


FIG. 1

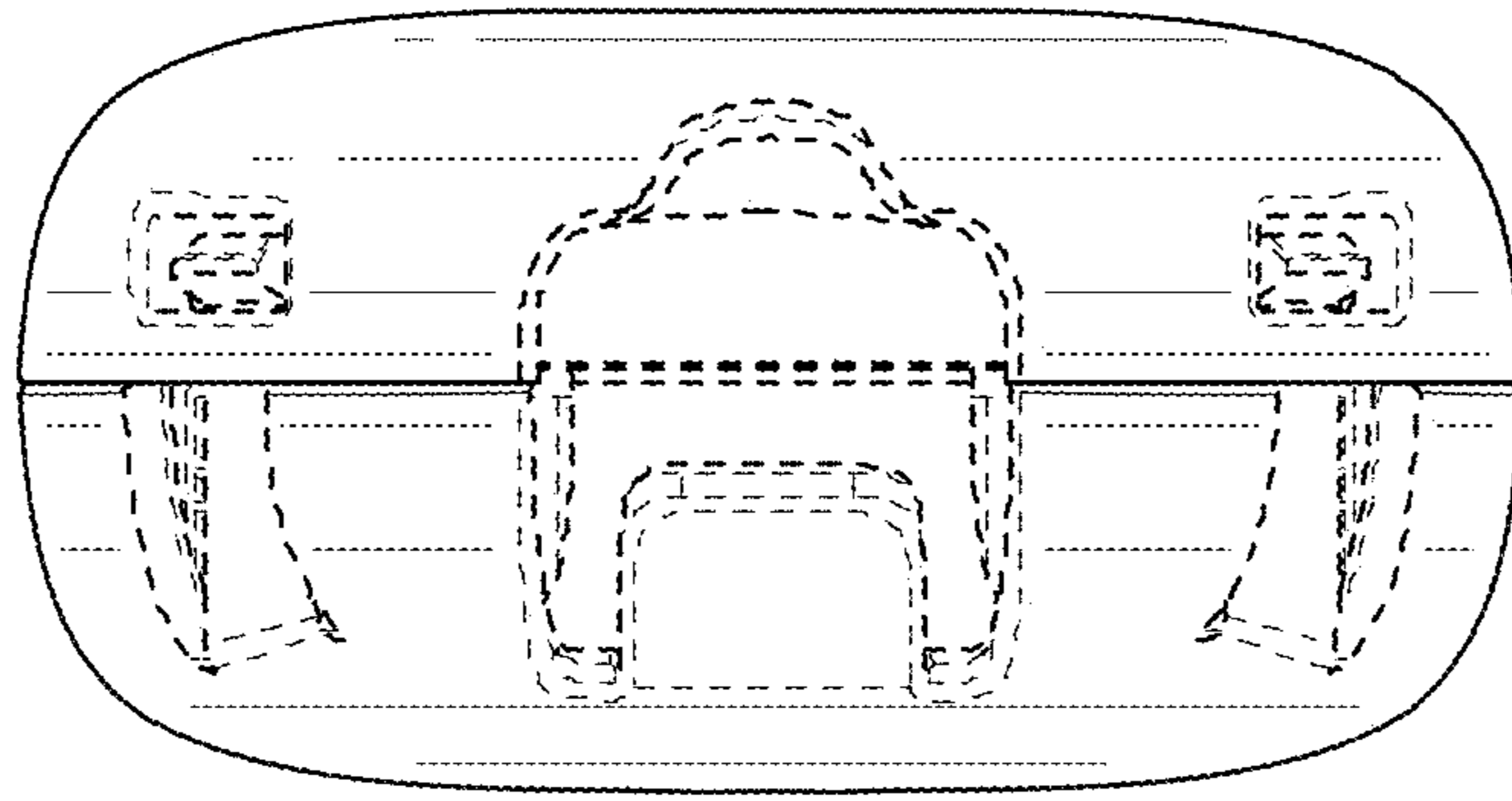


FIG. 2

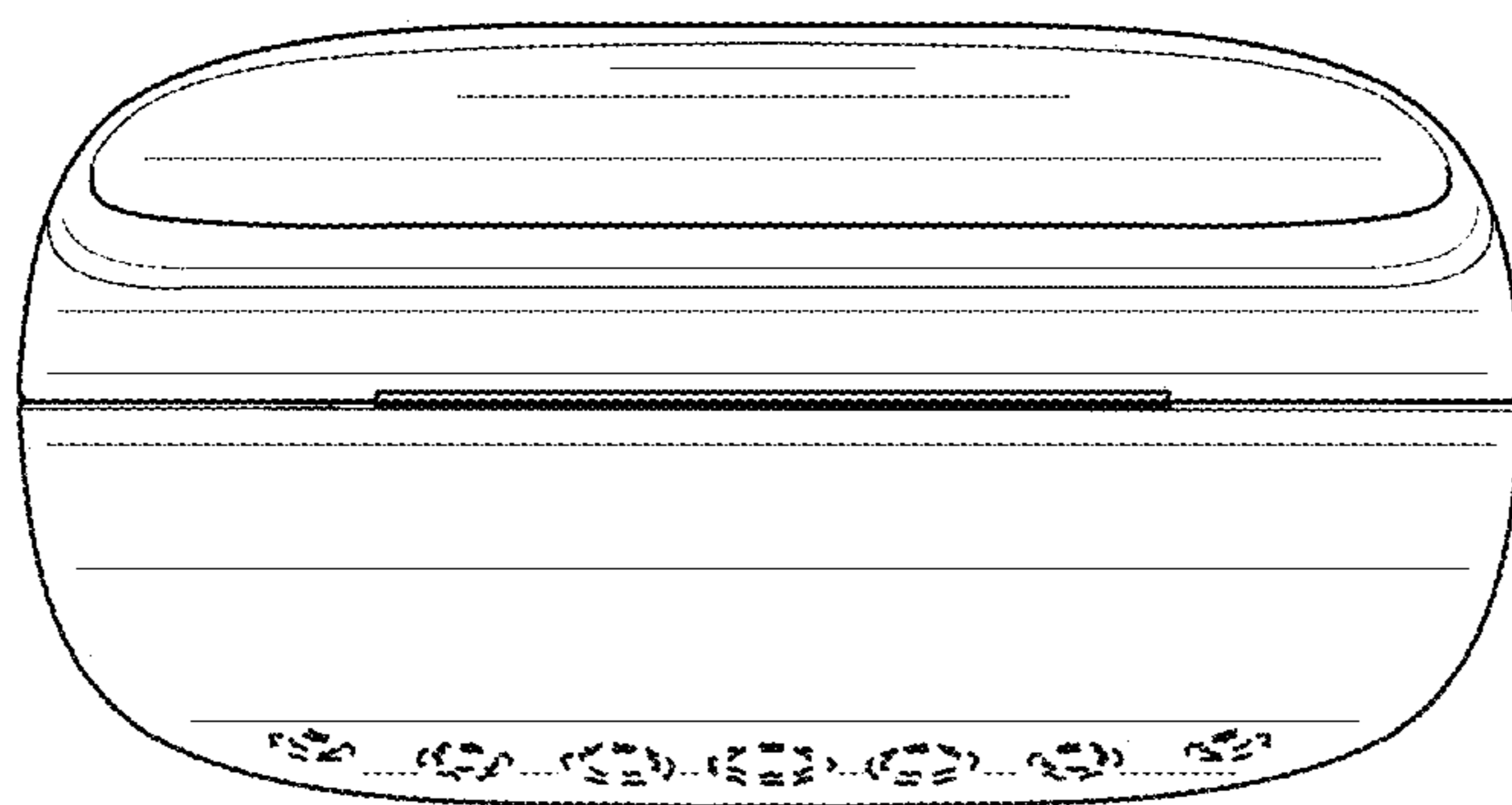


FIG. 3

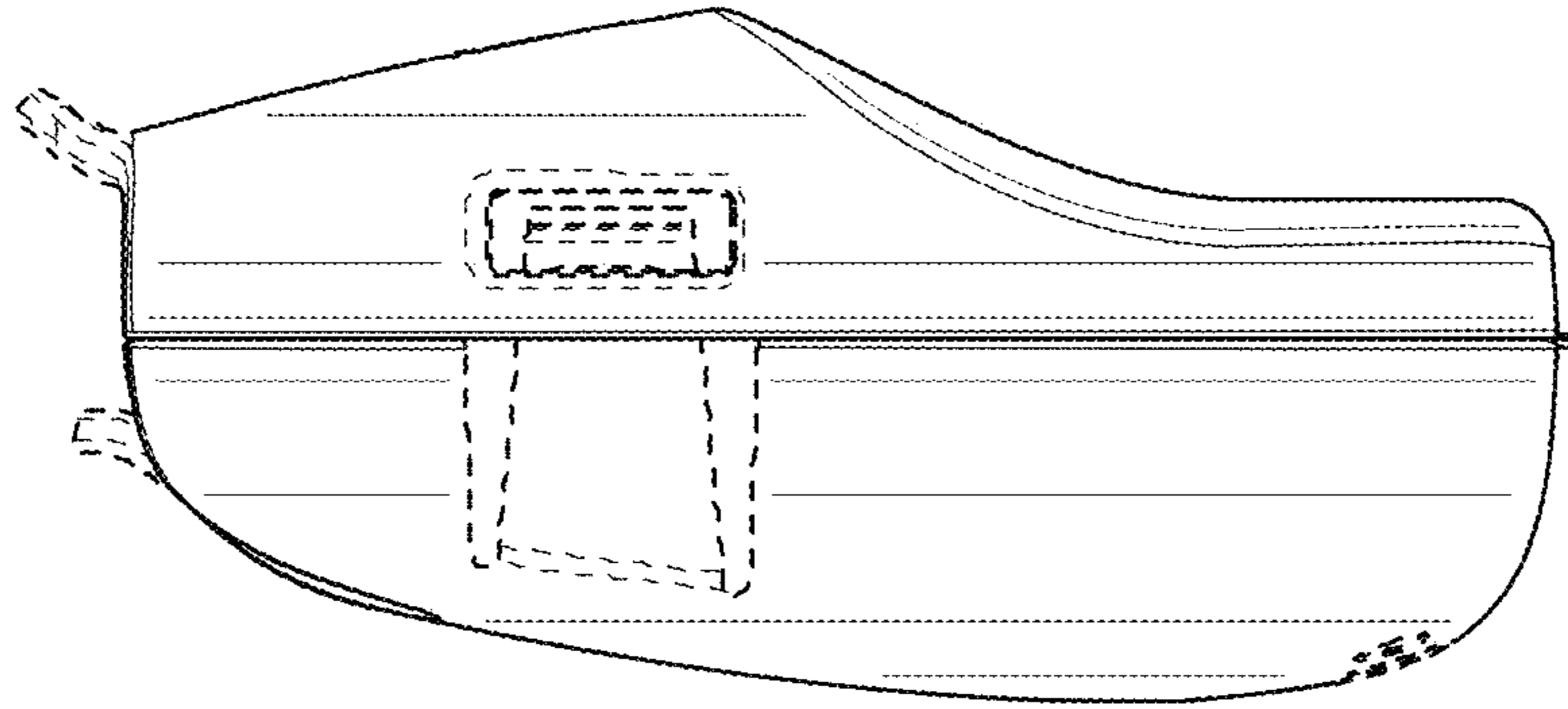


FIG. 4

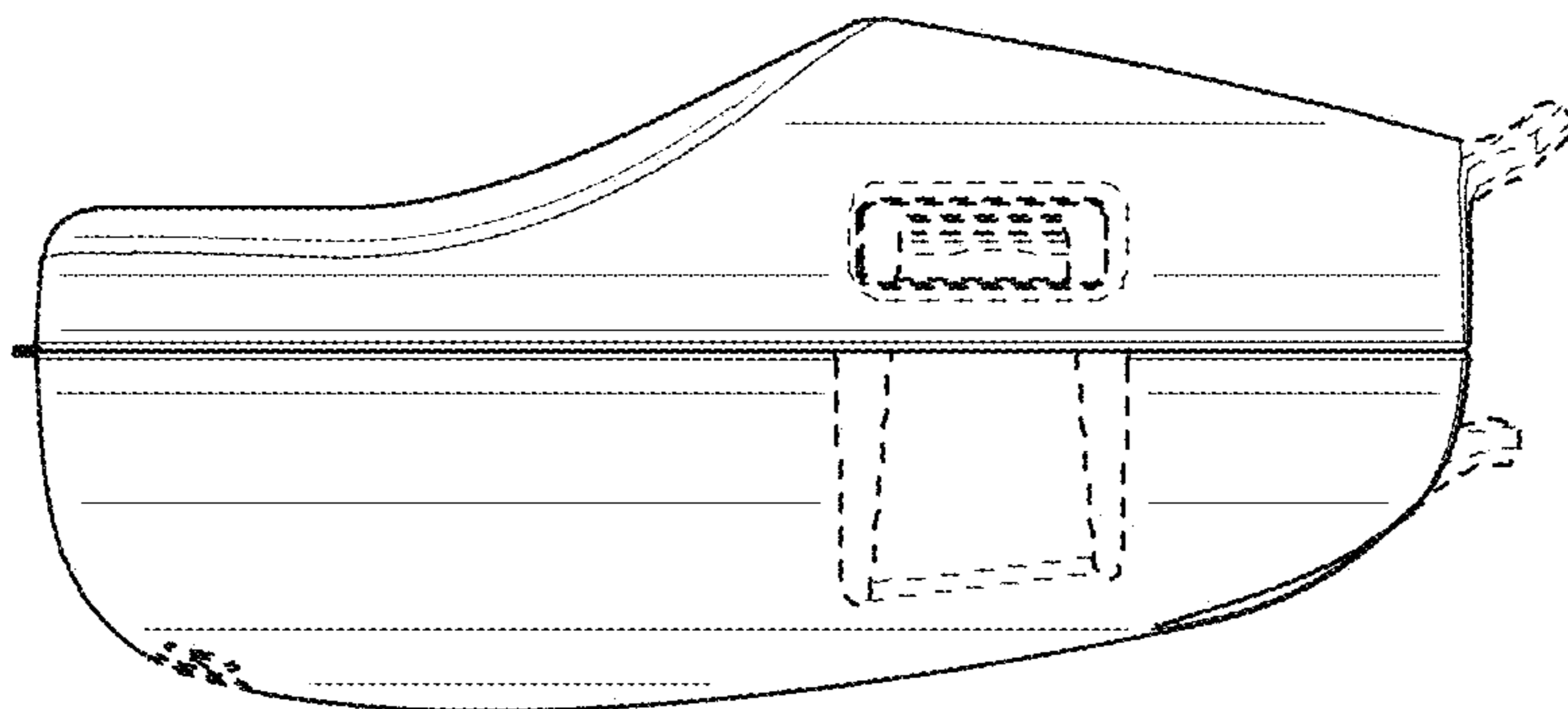


FIG. 5

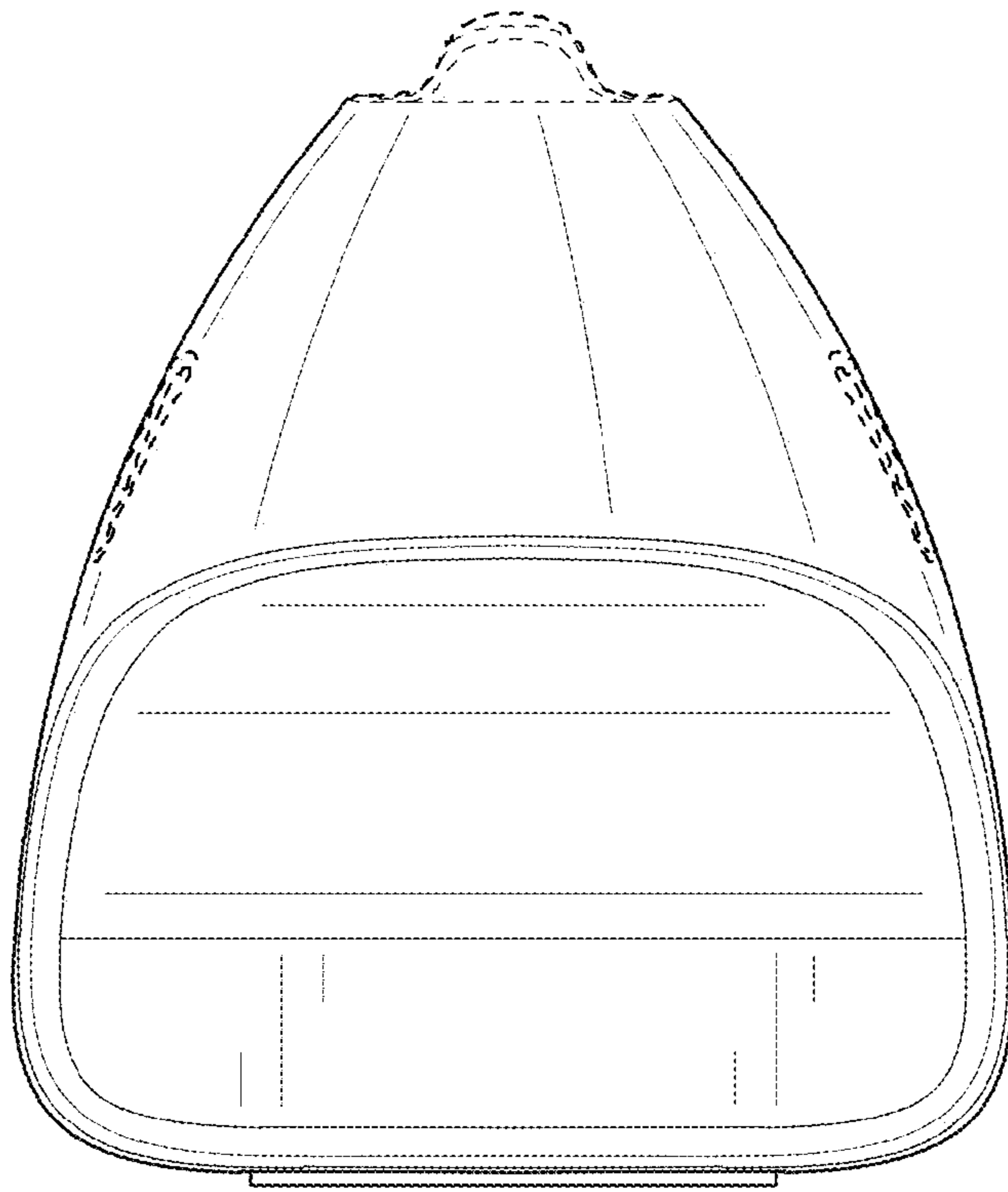


FIG. 6

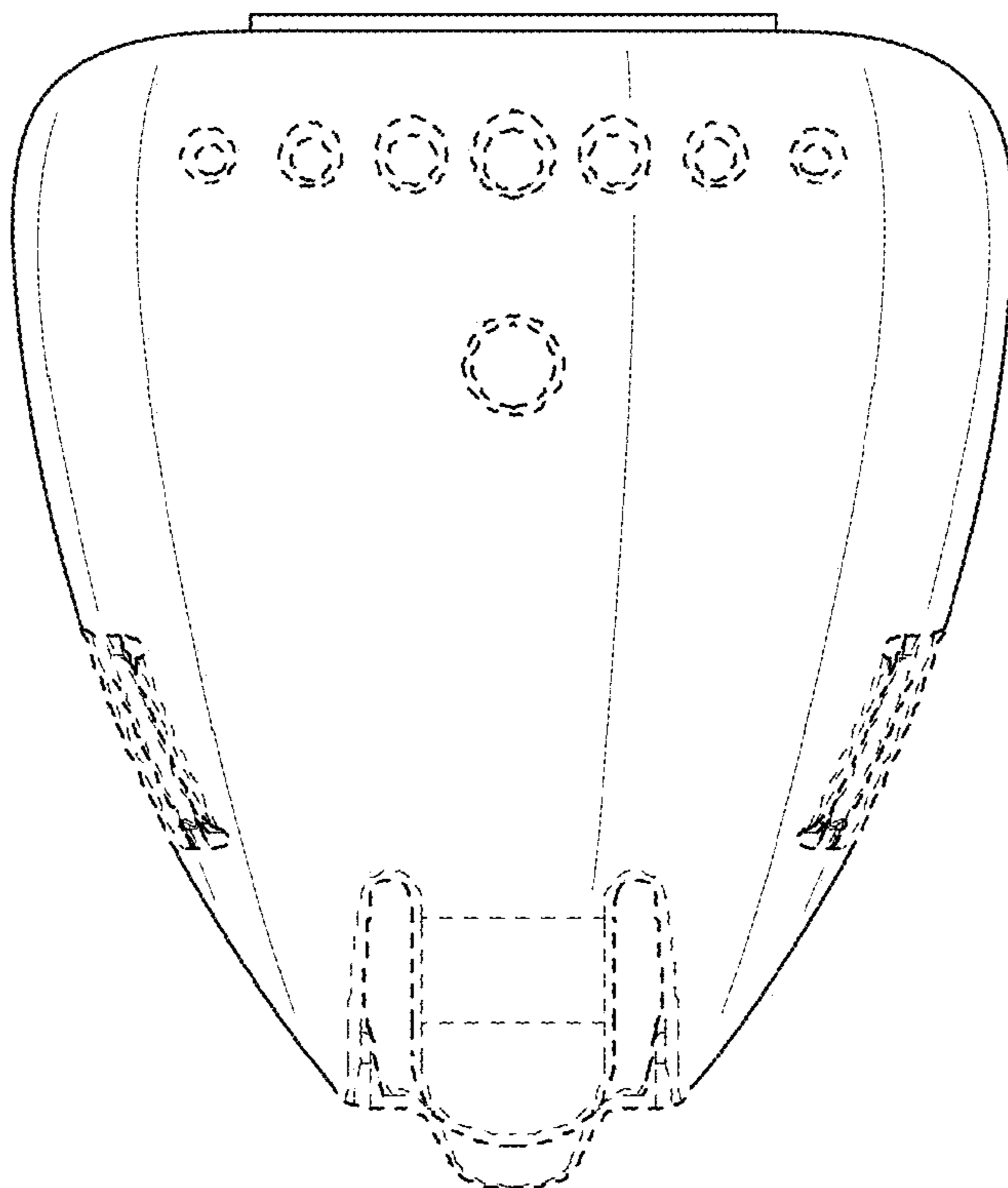


FIG. 7

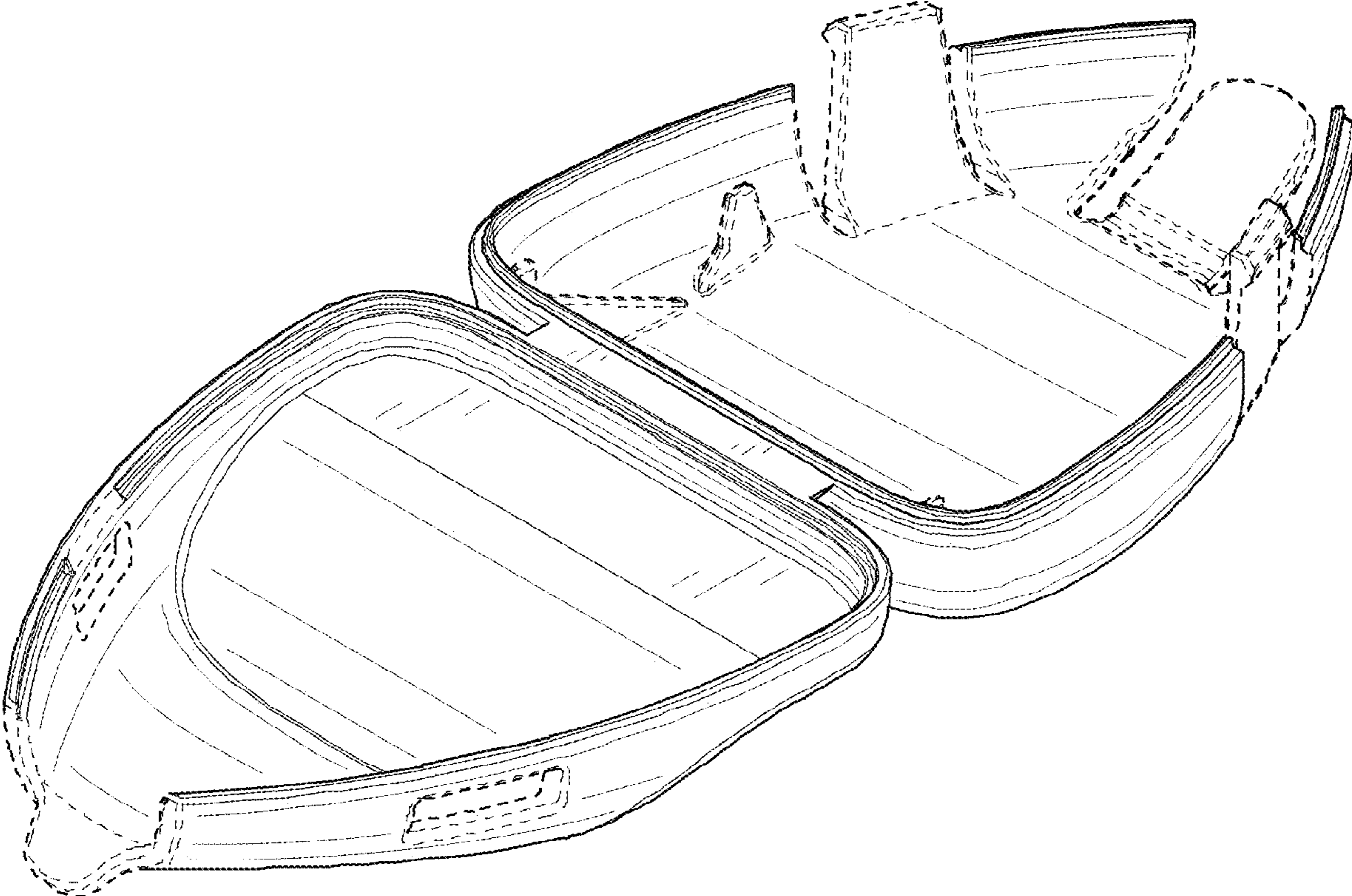


FIG. 8