



US00D954347S

(12) **United States Design Patent**
Kang

(10) **Patent No.:** **US D954,347 S**
(45) **Date of Patent:** **** Jun. 7, 2022**

- (54) **AIR NOZZLE FOR HAIR DRYER**
- (71) Applicant: **JMW CO., LTD.**, Seoul (KR)
- (72) Inventor: **Jong Kwon Kang**, Hwaseong-si (KR)
- (73) Assignee: **JMW CO., LTD.**, Seoul (KR)
- (**) Term: **15 Years**
- (21) Appl. No.: **29/681,092**
- (22) Filed: **Feb. 22, 2019**

D627,923 S * 11/2010 Korach D28/18
 D672,496 S * 12/2012 Julemont D28/13
 D676,195 S * 2/2013 Julemont D28/13
 D676,600 S * 2/2013 Thrasher, Jr. D28/18
 D785,241 S 4/2017 Stephens et al.
 (Continued)

FOREIGN PATENT DOCUMENTS

CN 201630195576 * 5/2016
 GB 2413073 A * 10/2005 A45D 20/122
 (Continued)

OTHER PUBLICATIONS

Youtube, How to Use Hair Dryer Attachments, posted Aug. 14, 2012, [online], [visited May 10, 2021]. Internet, <URL: https://www.youtube.com/watch?v=CwPrGnMviw0> (Year: 2012).
 (Continued)

Related U.S. Application Data

- (62) Division of application No. 35/504,782, filed on Oct. 18, 2017 (U.S. filing date under 35 U.S.C. 384), and having an international filing date of Oct. 18, 2017, now Pat. No. Des. 872,935.

Foreign Application Priority Data

- Sep. 18, 2017 (KR) 30-2017-0043684
- Sep. 18, 2017 (KR) 30-2017-0043686

- (51) **LOC (13) Cl.** **28-03**
- (52) **U.S. Cl.**
USPC **D28/18**

- (58) **Field of Classification Search**
USPC D28/9, 10, 12-19, 35, 99; D23/213, 223, D23/227
CPC A45D 20/00; A45D 20/04; A45D 20/08; A45D 20/10; A45D 20/12; A45D 20/122; A45D 20/52; A45D 20/525
See application file for complete search history.

References Cited

U.S. PATENT DOCUMENTS

D96,152 S * 7/1935 Zinkil D23/213
 D237,117 S * 10/1975 Selden D28/18
 D238,109 S * 12/1975 Vitetta D28/18
 D468,862 S * 1/2003 Barski D28/13

Primary Examiner — Samantha Wood
 (74) *Attorney, Agent, or Firm* — Rabin & Berdo, P.C.

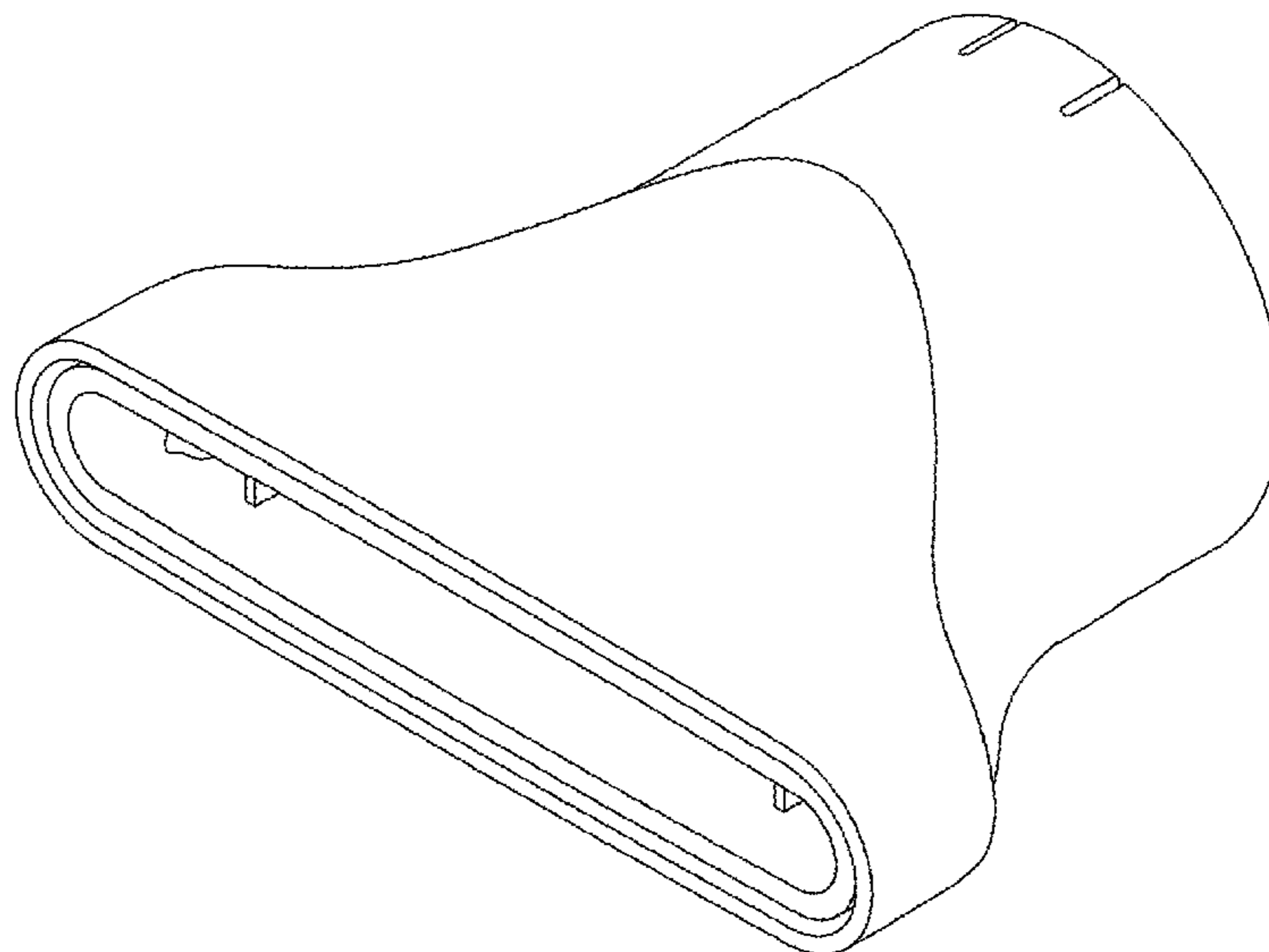
(57) **CLAIM**

The ornamental design for an air nozzle for hair dryer, as shown and described.

DESCRIPTION

FIG. 1 is a perspective view of an air nozzle for hair dryer showing my new design;
 FIG. 2 is a front elevational view thereof;
 FIG. 3 is a rear elevational view thereof;
 FIG. 4 is a left side elevational view thereof;
 FIG. 5 is a right side elevational view thereof;
 FIG. 6 is a top view thereof;
 FIG. 7 is a bottom view thereof; and,
 FIG. 8 is an exploded view thereof.
 The broken lines are included for the purpose of illustrating portions of the air nozzle that form no part of the claimed design.

1 Claim, 8 Drawing Sheets



(56)

References Cited

U.S. PATENT DOCUMENTS

D833,069 S * 11/2018 Broides D28/18
D872,935 S * 1/2020 Kang D28/18
2012/0234343 A1* 9/2012 Cohen A45D 20/12
132/271
2015/0366316 A1* 12/2015 Soresina A45D 20/12
34/97
2018/0035779 A1* 2/2018 Lee A45D 20/12
2018/0125195 A1* 5/2018 Soresina H02K 11/33

FOREIGN PATENT DOCUMENTS

JP D1148644 S 6/2002
JP D1551178 S 4/2016
KR 3020150053190 * 10/2015
KR 3020150057249 * 11/2015
WO DM/067885 6/2006

OTHER PUBLICATIONS

Amazon, Parlux 385 Nozzle, posted Aug. 19, 2013, [online],
[visited May 10, 2021]. Internet, <URL: <https://www.amazon.co.uk/Parlux-nozzle385-385-Nozzle-6-2cm/dp/B00DMUC79W/ref>> (Year: 2013).*

* cited by examiner

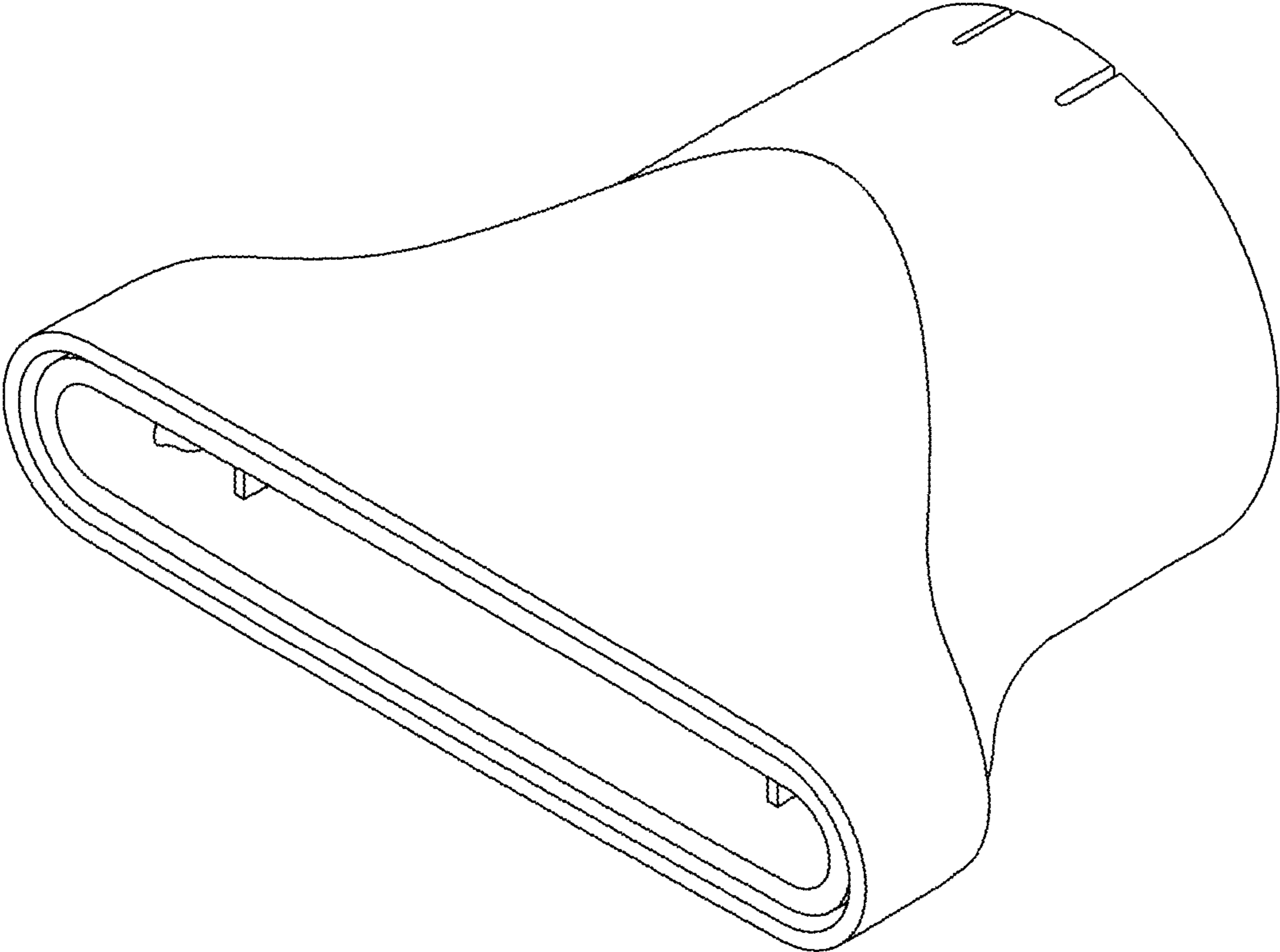


FIG. 1

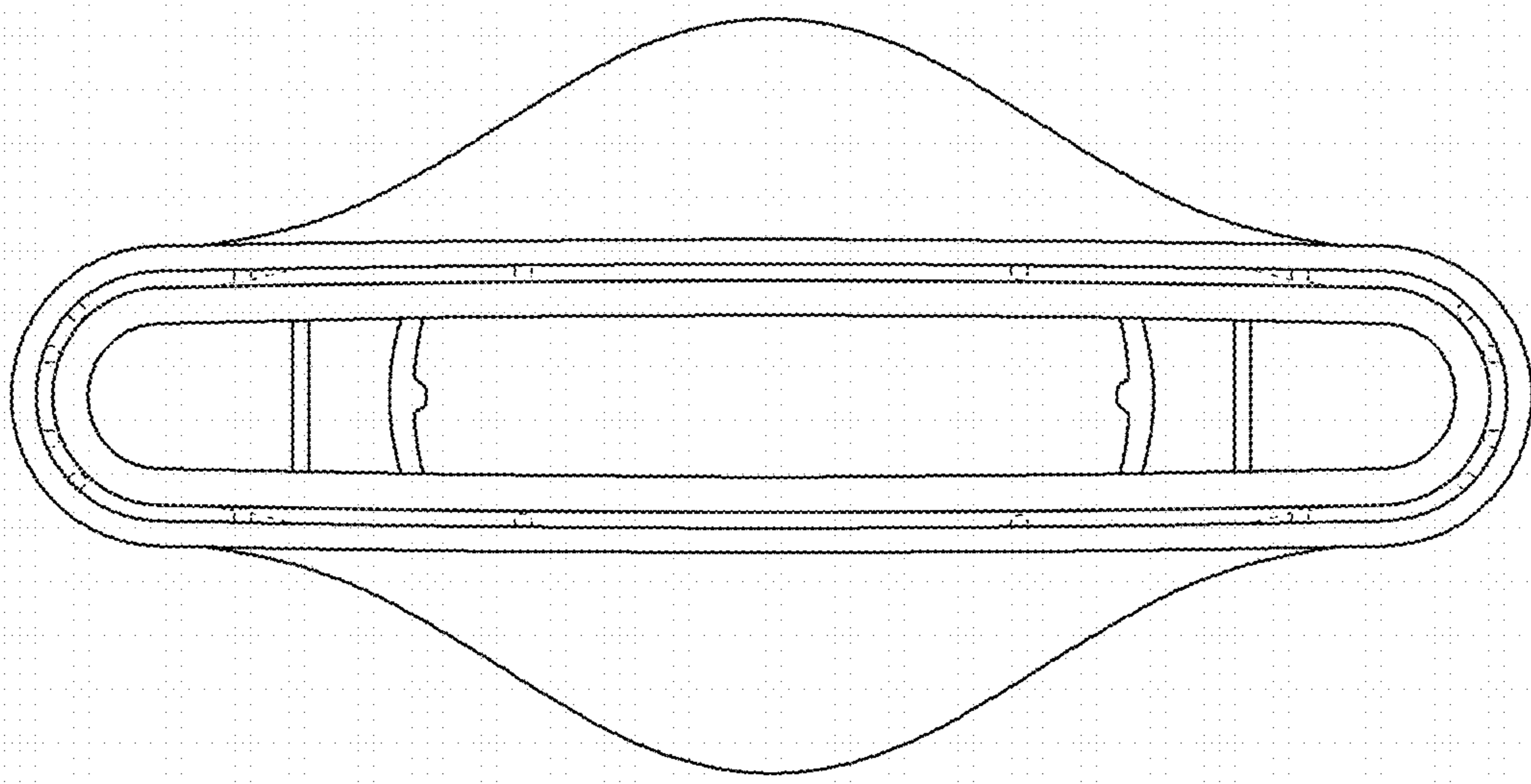


FIG. 2

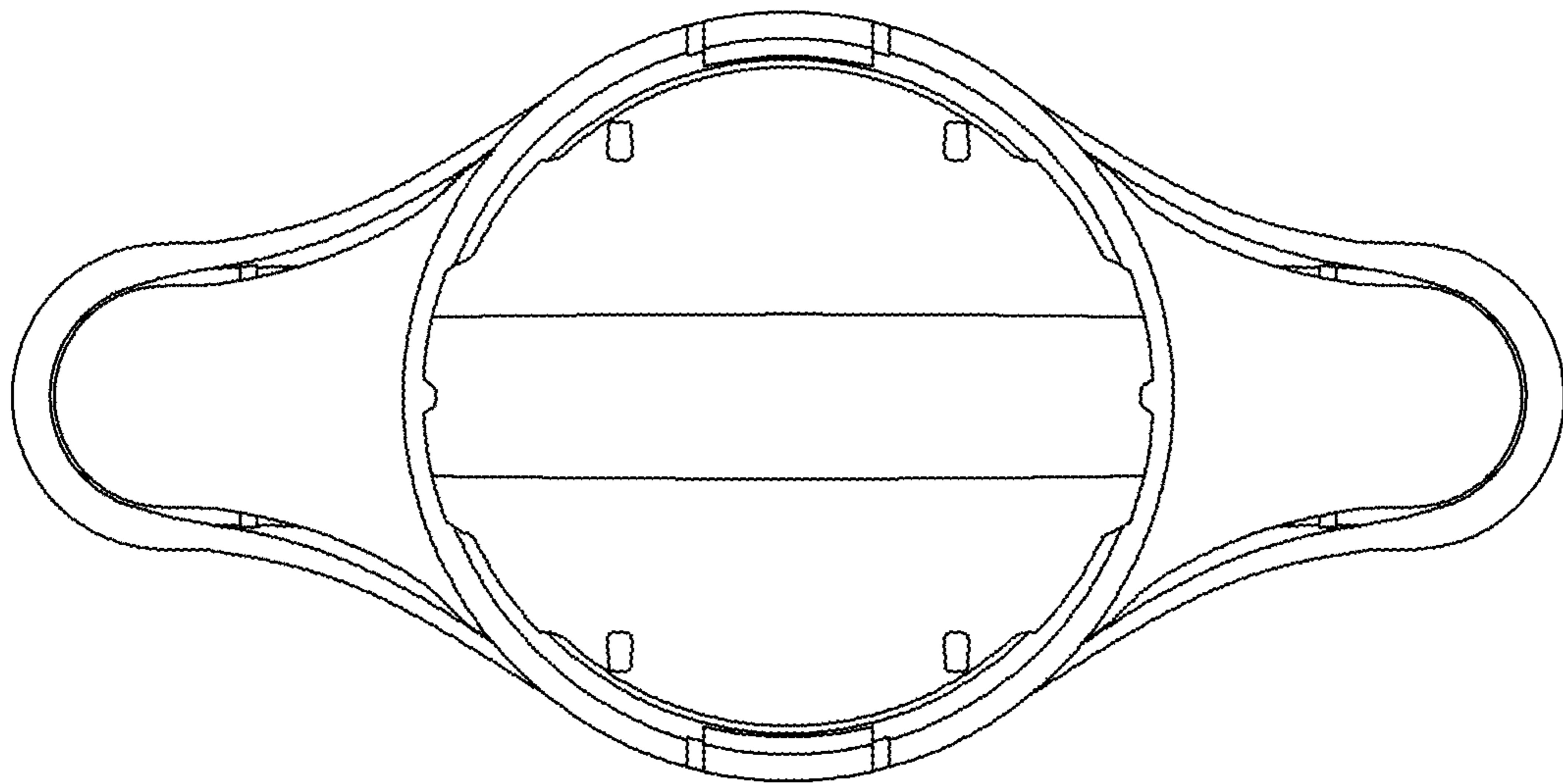


FIG. 3

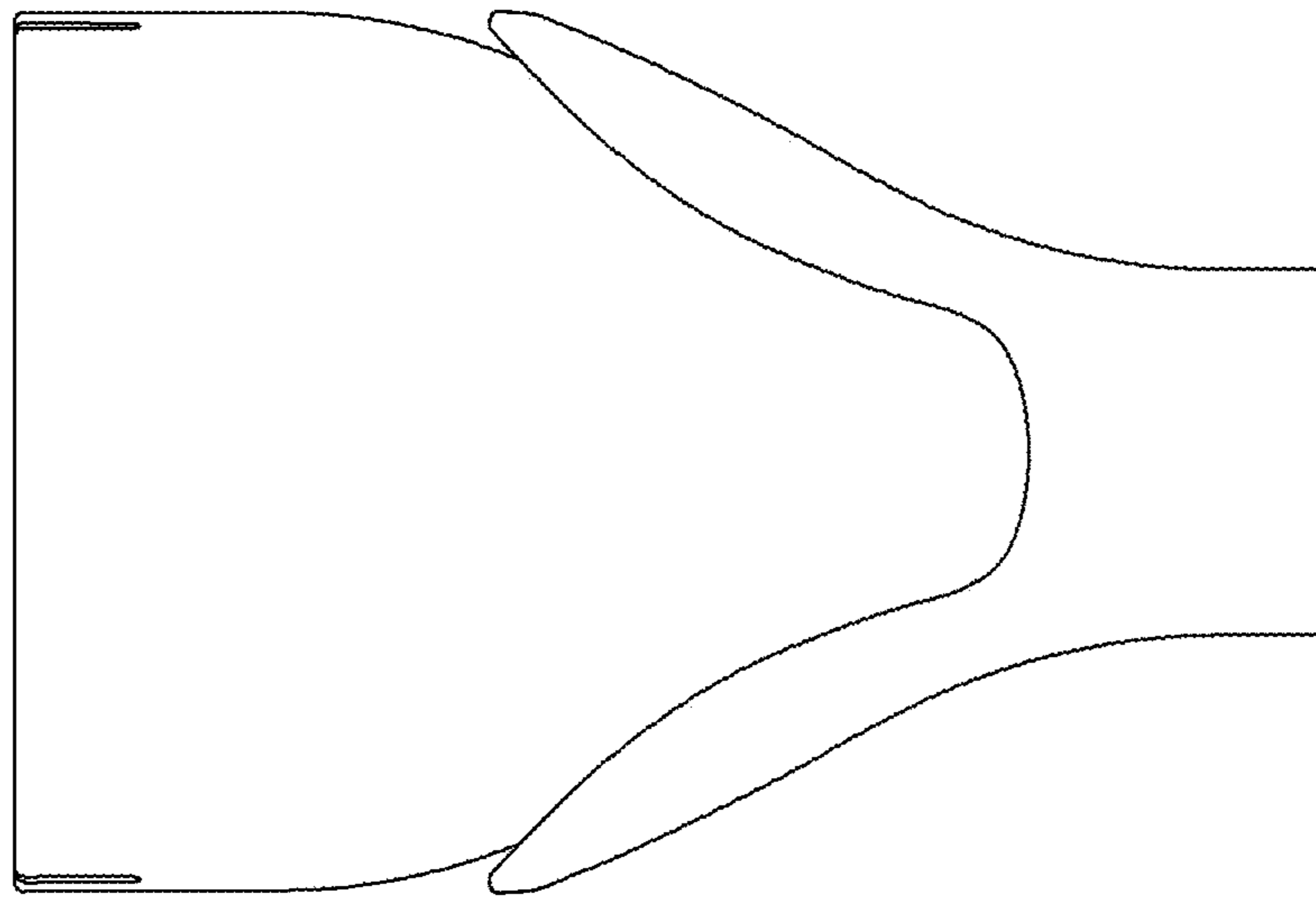


FIG. 4

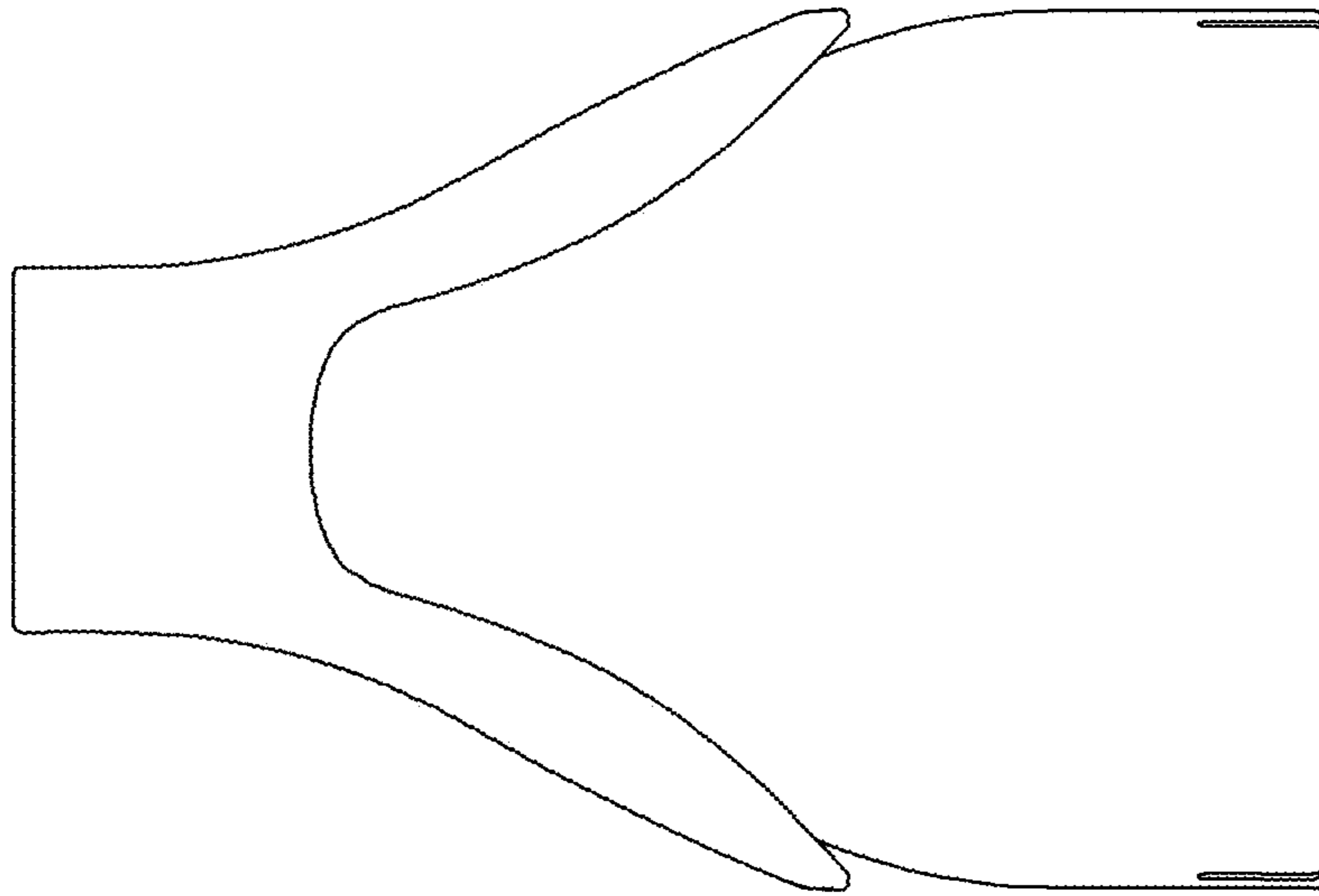


FIG. 5

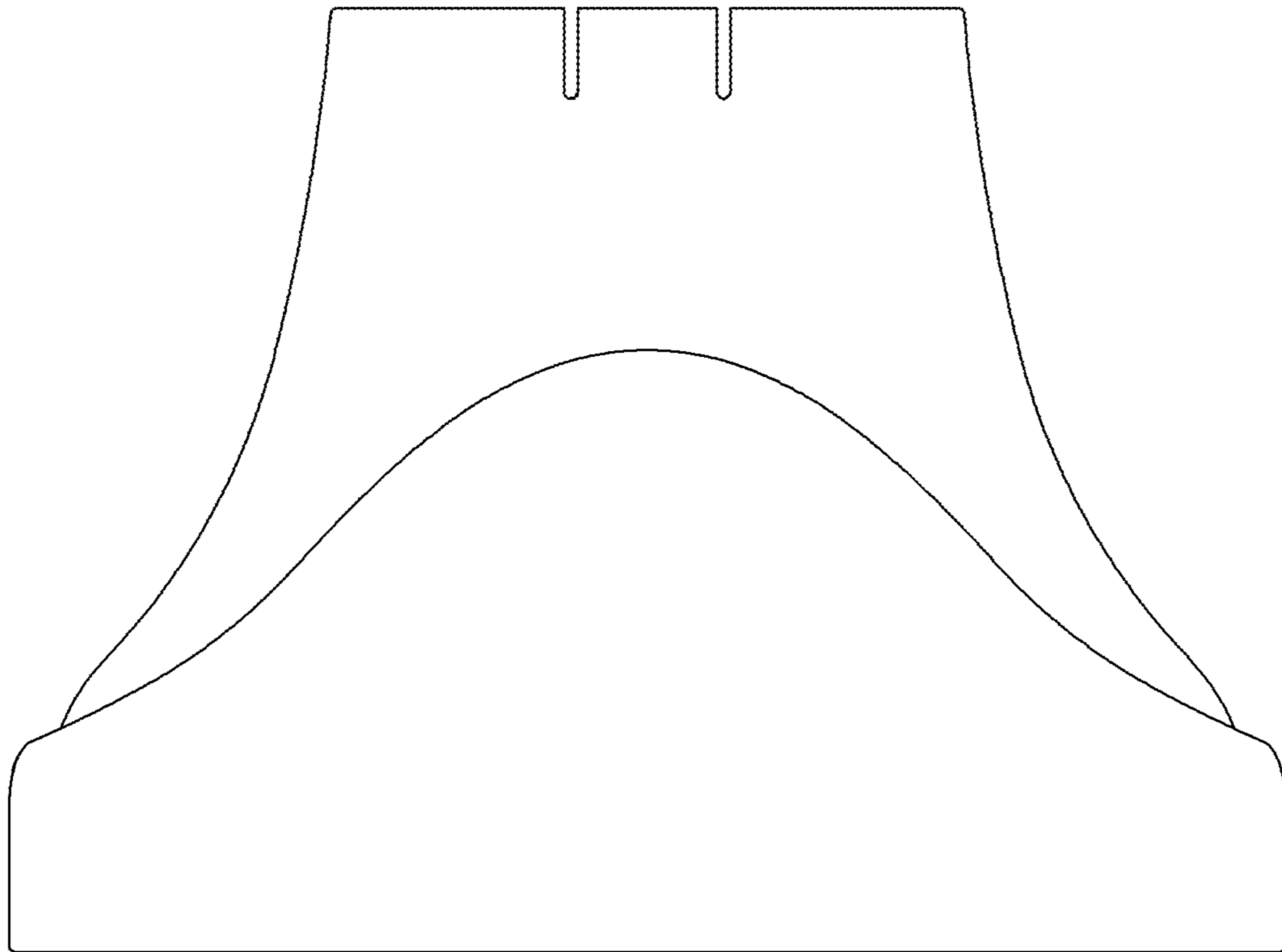


FIG. 6

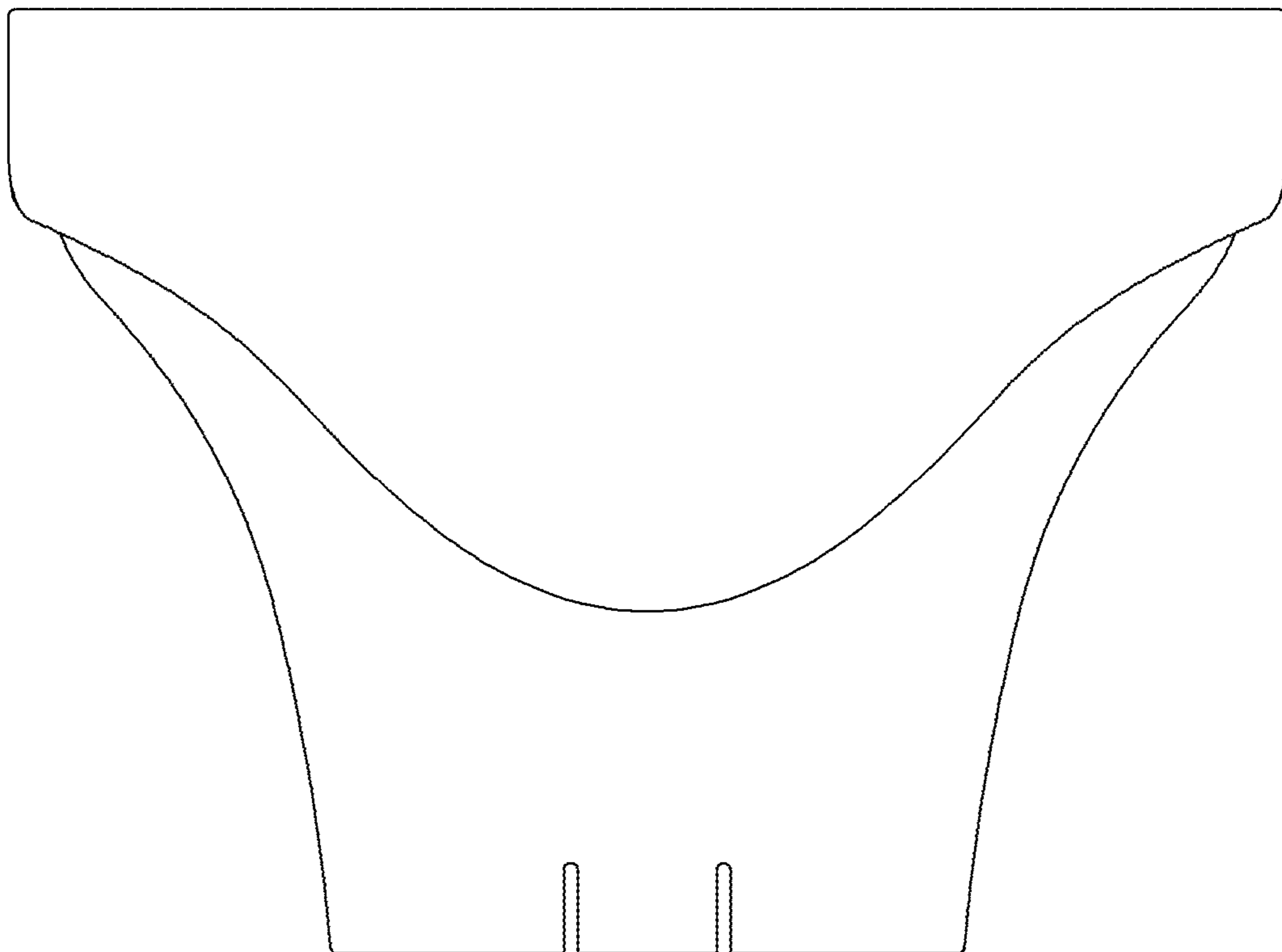


FIG. 7

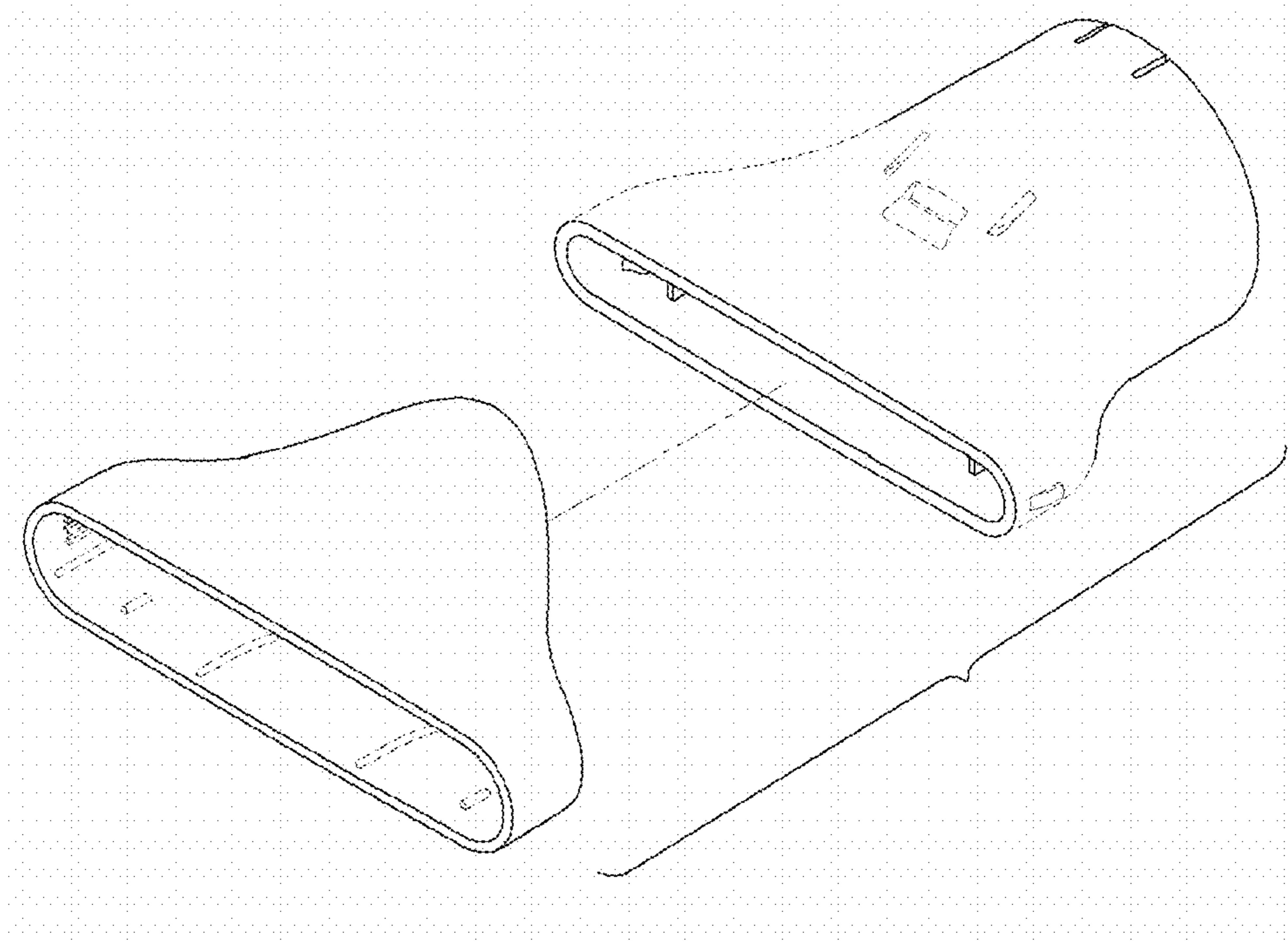


FIG. 8